



US00D739939S

(12) **United States Design Patent**
Uozumi et al.

(10) **Patent No.:** **US D739,939 S**

(45) **Date of Patent:** **** *Sep. 29, 2015**

(54) **SPHYGMOMANOMETER**

(71) Applicant: **OMRON HEALTHCARE Co., Ltd.**,
Kyoto (JP)

(72) Inventors: **Sachiko Uozumi**, New York, NY (US);
Daniel Formosa, Piermont, NY (US);
Arsenio Garcia Monsalve, Brooklyn,
NY (US)

(73) Assignee: **OMRON HEALTHCARE Co., Ltd.**,
Kyoto (JP)

(*) Notice: This patent is subject to a terminal disclaimer.

(**) Term: **14 Years**

(21) Appl. No.: **29/498,530**

(22) Filed: **Aug. 5, 2014**

(51) **LOC (10) Cl.** **24-02**

(52) **U.S. Cl.**
USPC **D24/165**

(58) **Field of Classification Search**
USPC D24/165–168, 186, 107; D10/70, 98;
600/301, 481–483, 485, 490, 493–495,
600/500, 503, 509; 128/900
CPC A61B 5/02141; A61B 5/022; A61B
5/02225; A61B 5/02233
See application file for complete search history.

(56) **References Cited**

U.S. PATENT DOCUMENTS

D583,475 S * 12/2008 Mitsunami et al. D24/165
D598,551 S * 8/2009 Miwa et al. D24/186

D642,274 S * 7/2011 Ogiwara D24/165
D651,716 S * 1/2012 Shibata et al. D24/165
D665,501 S * 8/2012 Shibata et al. D24/165
D722,165 S * 2/2015 Pukall et al. D24/165

* cited by examiner

Primary Examiner — Anhdao Doan

(74) *Attorney, Agent, or Firm* — Capitol City TechLaw

(57) **CLAIM**

The ornamental design for a sphygmomanometer, as shown and described.

DESCRIPTION

FIG. 1 is a front, top, and right side perspective view of a first embodiment of a sphygmomanometer showing our new design;

FIG. 2 is a rear, bottom, and left side perspective view thereof;

FIG. 3 is a front view thereof;

FIG. 4 is a rear view thereof;

FIG. 5 is a top view thereof;

FIG. 6 is a bottom view thereof;

FIG. 7 is a right side view thereof;

FIG. 8 is a left side view thereof;

FIG. 9 is a front, top, and right side perspective view of a second embodiment of a sphygmomanometer showing our new design;

FIG. 10 is a rear, bottom, and left side perspective view thereof;

FIG. 11 is a front view thereof;

FIG. 12 is a rear view thereof;

FIG. 13 is a top view thereof;

FIG. 14 is a bottom view thereof;

FIG. 15 is a right side view thereof; and,

FIG. 16 is a left side view thereof.

1 Claim, 16 Drawing Sheets

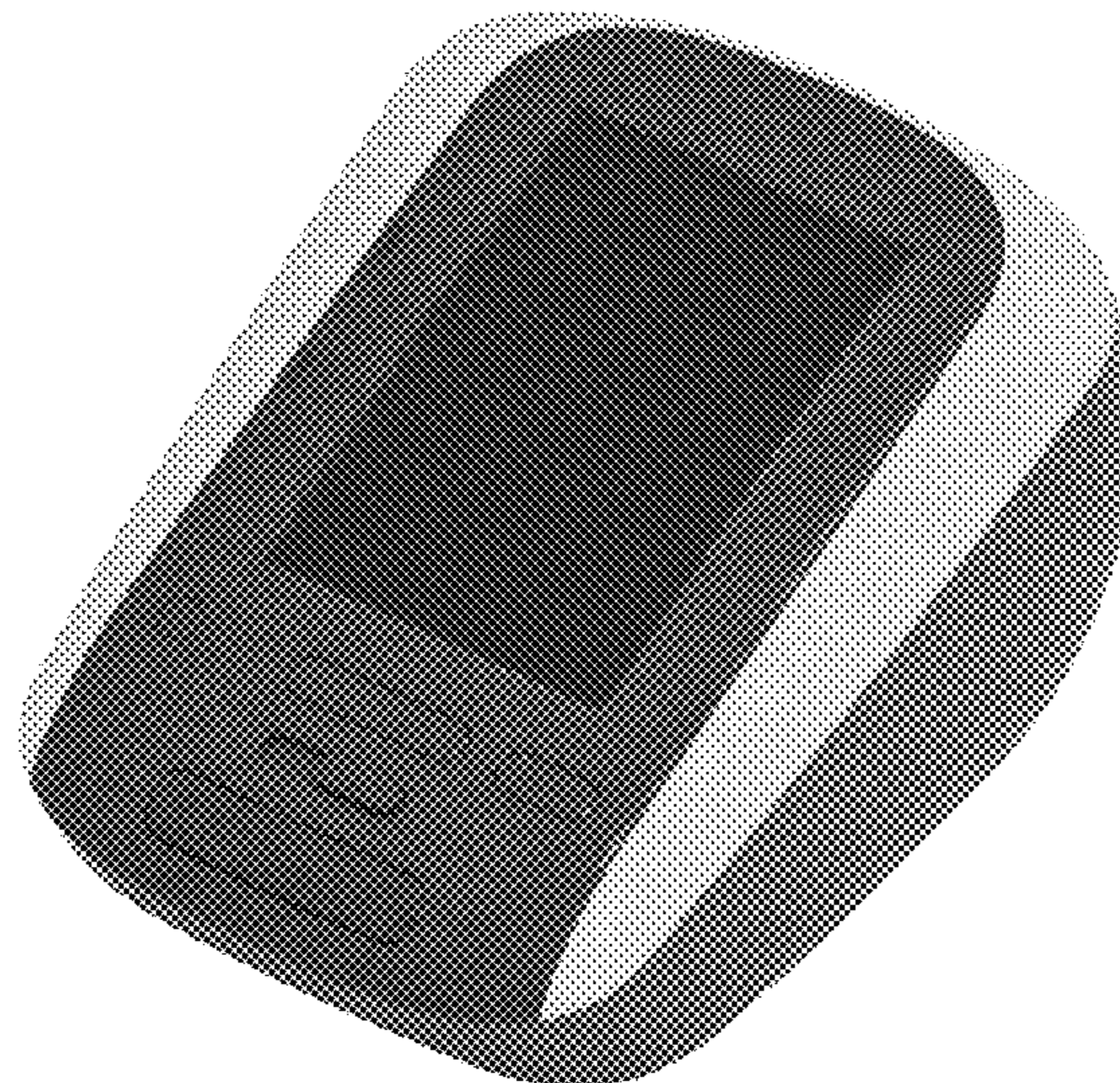


FIG. 1



FIG.2



FIG.3



FIG.4



FIG. 5



FIG.6



FIG.7

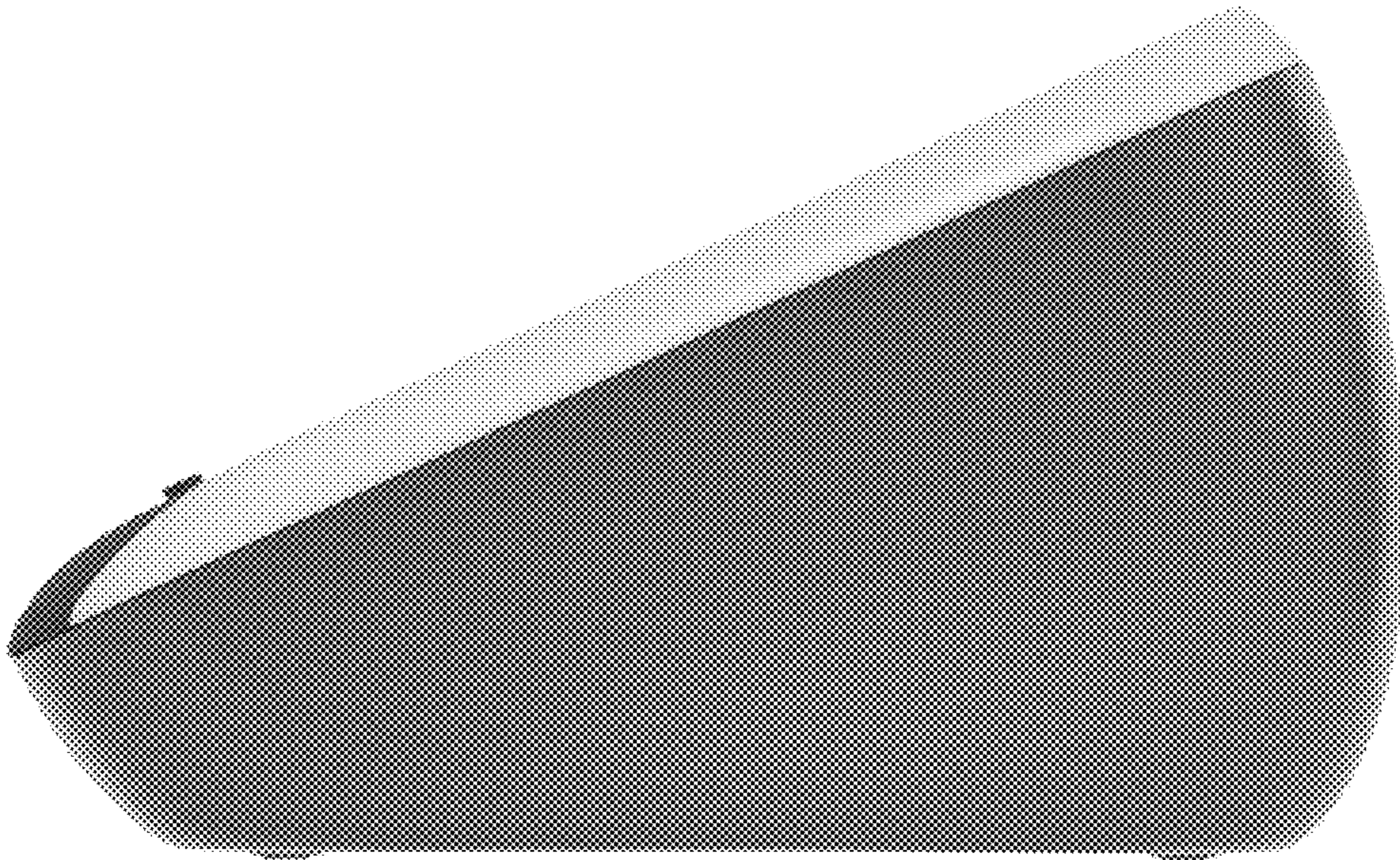


FIG.8

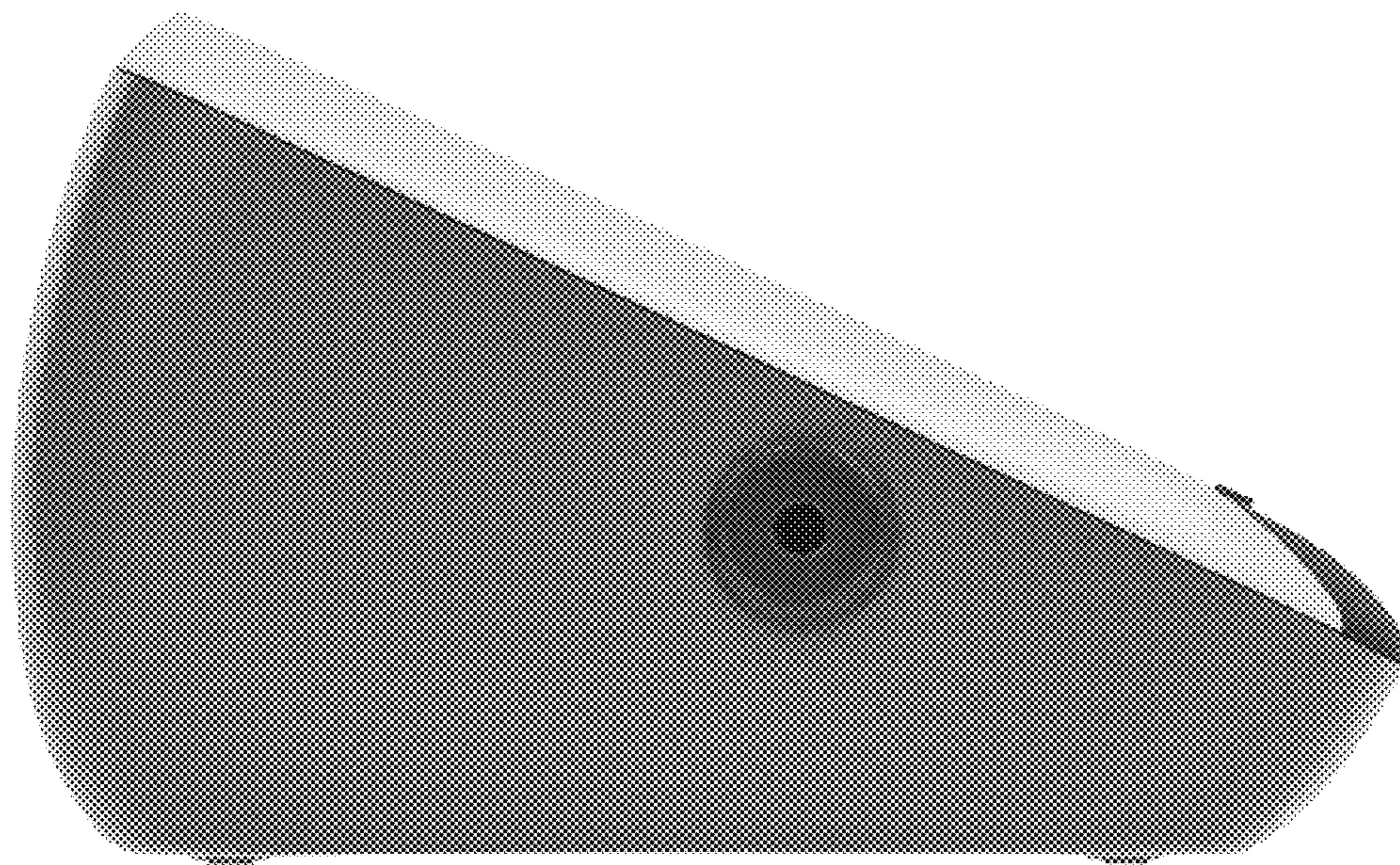


FIG. 9



FIG. 10



FIG. 11



FIG. 12

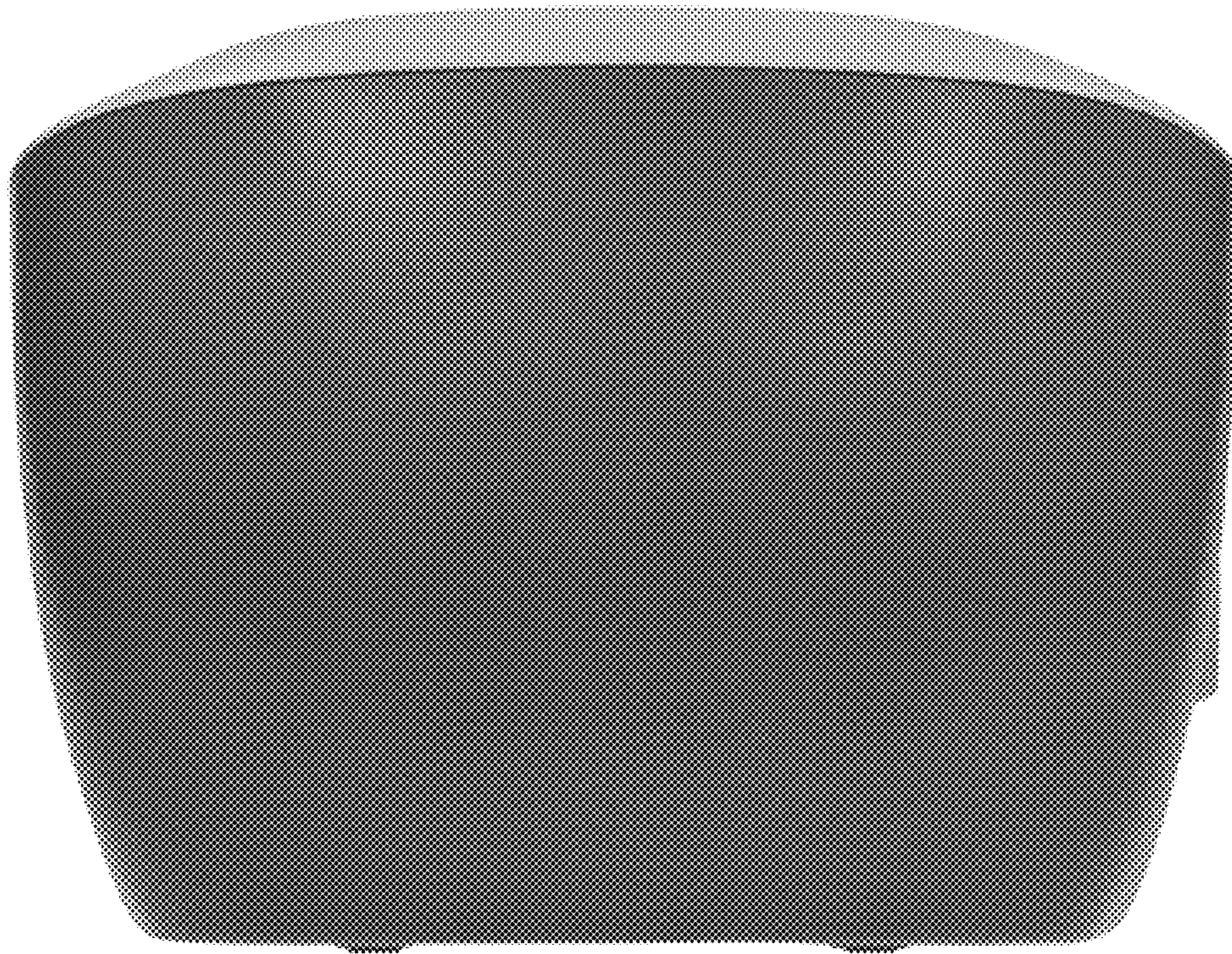


FIG. 13



FIG. 14



FIG. 15

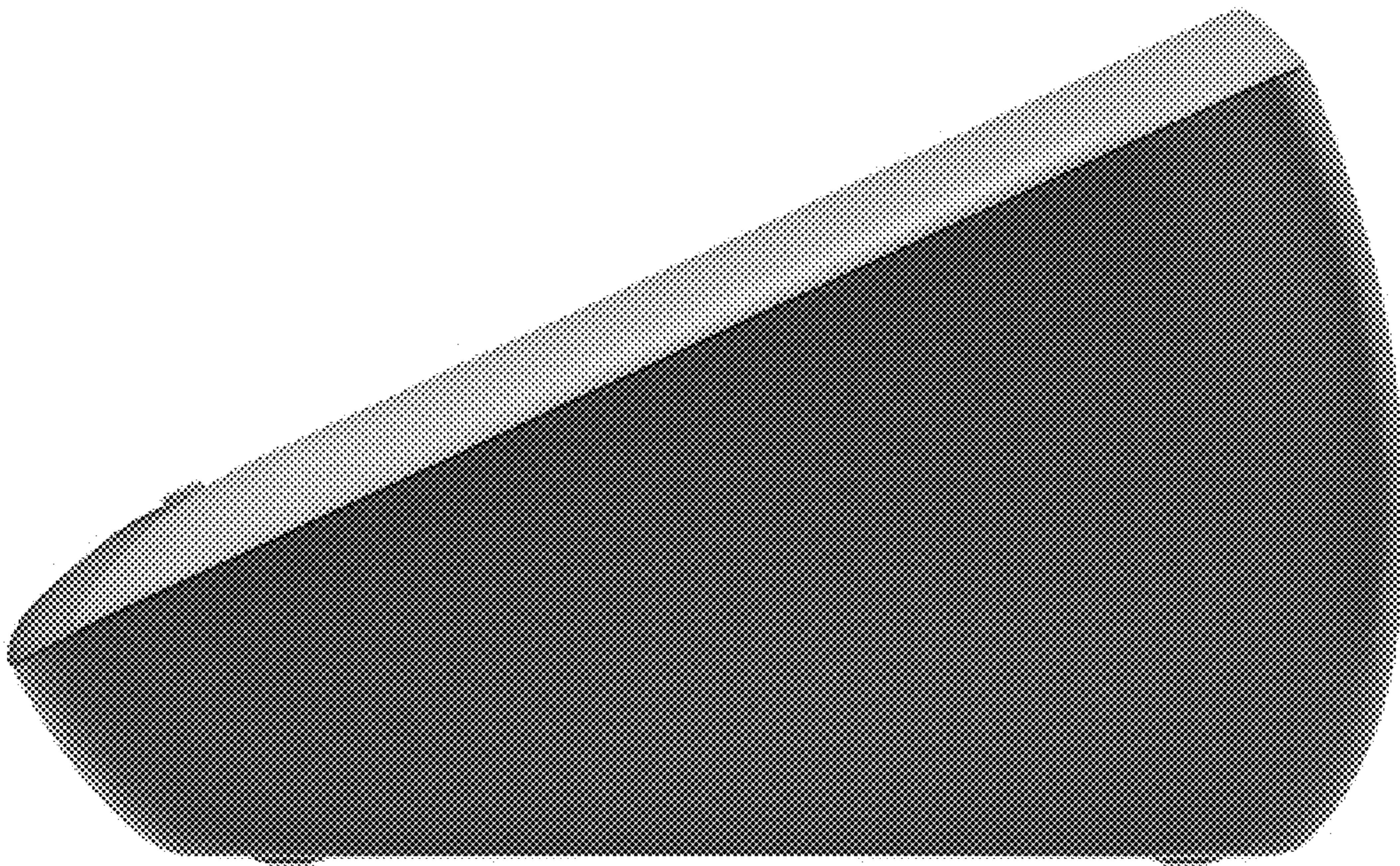


FIG. 16

