



US00D739936S

(12) **United States Design Patent**  
**Blomquist et al.**

(10) **Patent No.:** **US D739,936 S**

(45) **Date of Patent:** **\*\* Sep. 29, 2015**

- (54) **VENTILATOR MONITOR**
- (71) Applicants: **Karin Blomquist**, Sollentuna (SE);  
**Anna Carell**, Bromma (SE); **Aydin Mert**, Orebro (SE)
- (72) Inventors: **Karin Blomquist**, Sollentuna (SE);  
**Anna Carell**, Bromma (SE); **Aydin Mert**, Orebro (SE)
- (73) Assignee: **Maquet Critical Care AB**, Solna (SE)

- D462,496 S 9/2002 Koppes et al.
- D467,001 S \* 12/2002 Buczek et al. .... D24/172
- D468,420 S 1/2003 Bolmsjo
- 6,626,445 B2 9/2003 Murphy et al.
- 6,669,639 B1 12/2003 Miller et al.
- D486,915 S 2/2004 Warschewske et al.
- D489,181 S 5/2004 Moon
- D493,977 S 8/2004 Rossini et al.
- D500,575 S 1/2005 Lucas
- D512,508 S \* 12/2005 Mesaros ..... D24/185
- D518,267 S 3/2006 Arceta
- D528,856 S 9/2006 Pascal

(Continued)

(\*\*) Term: **14 Years**

**FOREIGN PATENT DOCUMENTS**

(21) Appl. No.: **29/473,846**

RU 77007 12/2010

(22) Filed: **Nov. 26, 2013**

*Primary Examiner* — Holly Baynham

*Assistant Examiner* — Rhea Shields

**Related U.S. Application Data**

(74) *Attorney, Agent, or Firm* — Schiff Hardin LLP

(62) Division of application No. 29/462,690, filed on Aug. 7, 2013, now Pat. No. Des. 702,840.

(57) **CLAIM**

The ornamental design for a ventilator monitor, as shown and described.

(30) **Foreign Application Priority Data**

**DESCRIPTION**

Feb. 7, 2013 (EP) ..... 002180356

(51) **LOC (10) Cl.** ..... **24-00**

(52) **U.S. Cl.**  
USPC ..... **D24/162**

(58) **Field of Classification Search**  
USPC ..... D24/164, 107, 110, 186, 185, 231, 234,  
D24/177, 183, 174; 280/47.34, 47.35;  
312/209; D14/302

See application file for complete search history.

FIG. 1 is a perspective of a ventilator monitor taken from a direction between a back side and a left side of the ventilator monitor;

FIG. 2 is a back elevational view of the ventilator monitor of FIG. 1;

FIG. 3 is a front elevational view of the ventilator monitor of FIG. 1;

FIG. 4 is a right side elevational view of the ventilator monitor of FIG. 1;

FIG. 5 is a left side elevational view of the ventilator monitor of FIG. 1;

FIG. 6 is a top plan view of the ventilator monitor of FIG. 1; and,

FIG. 7 is a bottom plan view of the ventilator monitor of FIG. 1.

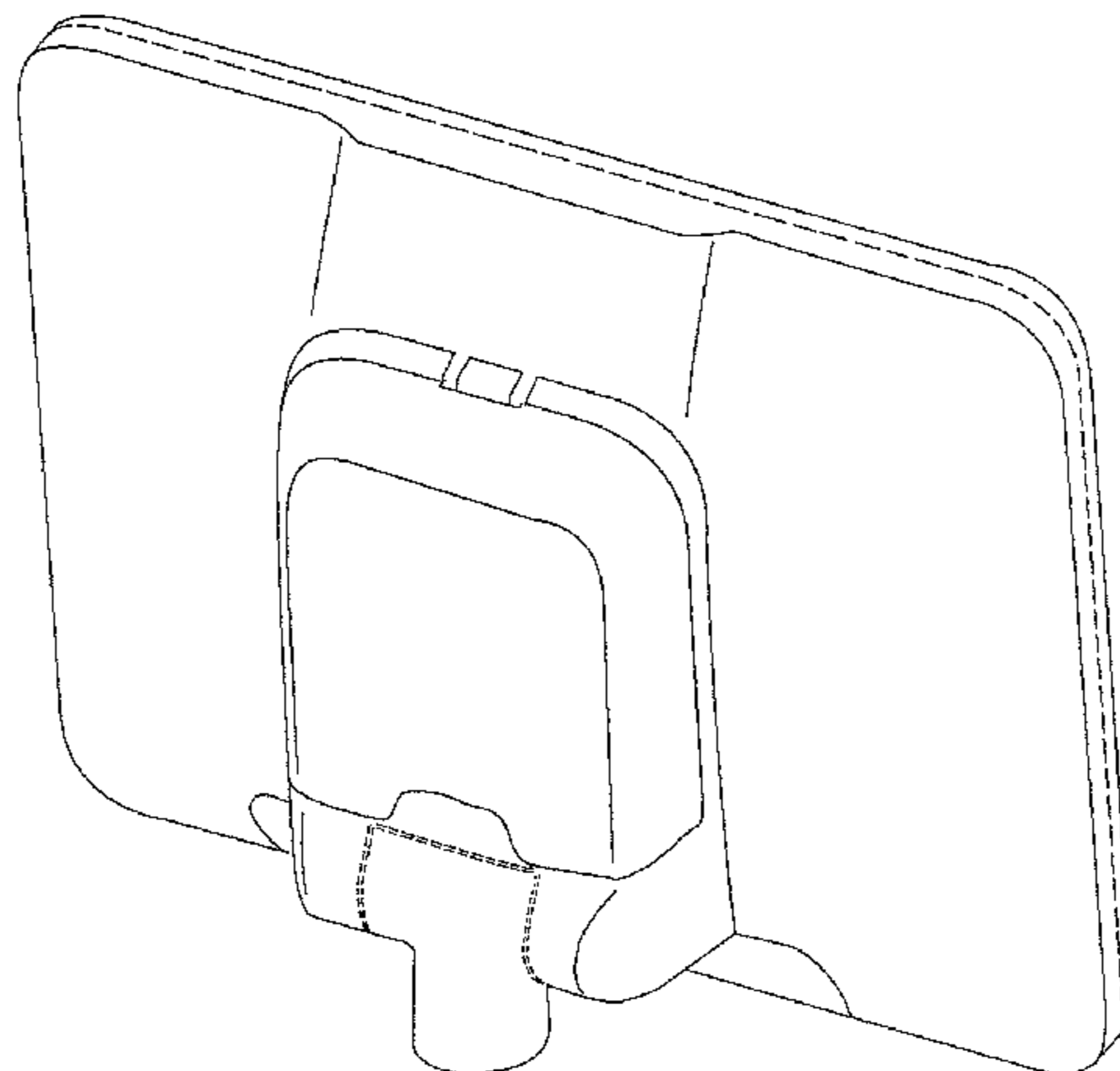
In the drawings, the broken lines depict unclaimed subject matter only and form no part of the claimed design.

(56) **References Cited**

**U.S. PATENT DOCUMENTS**

- 4,073,036 A 2/1978 Bustin
- D335,374 S 5/1993 Schulze et al.
- D338,272 S 8/1993 Cunagin et al.
- D422,695 S 4/2000 van Engelen et al.
- D423,671 S 4/2000 Garito et al.
- D447,567 S 9/2001 Murphy et al.
- D459,477 S 6/2002 Stocks et al.

**1 Claim, 3 Drawing Sheets**



(56)

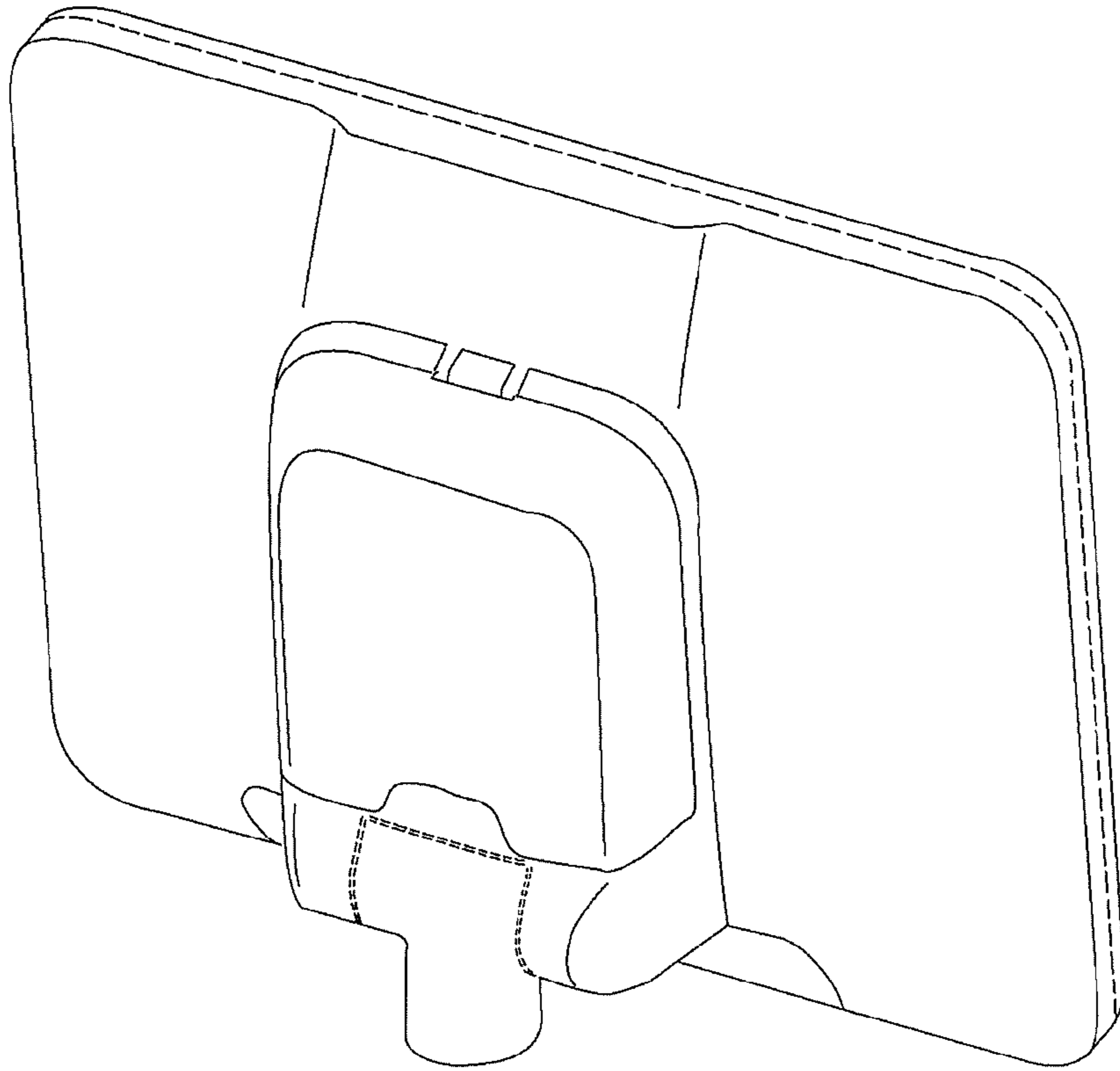
**References Cited**

U.S. PATENT DOCUMENTS

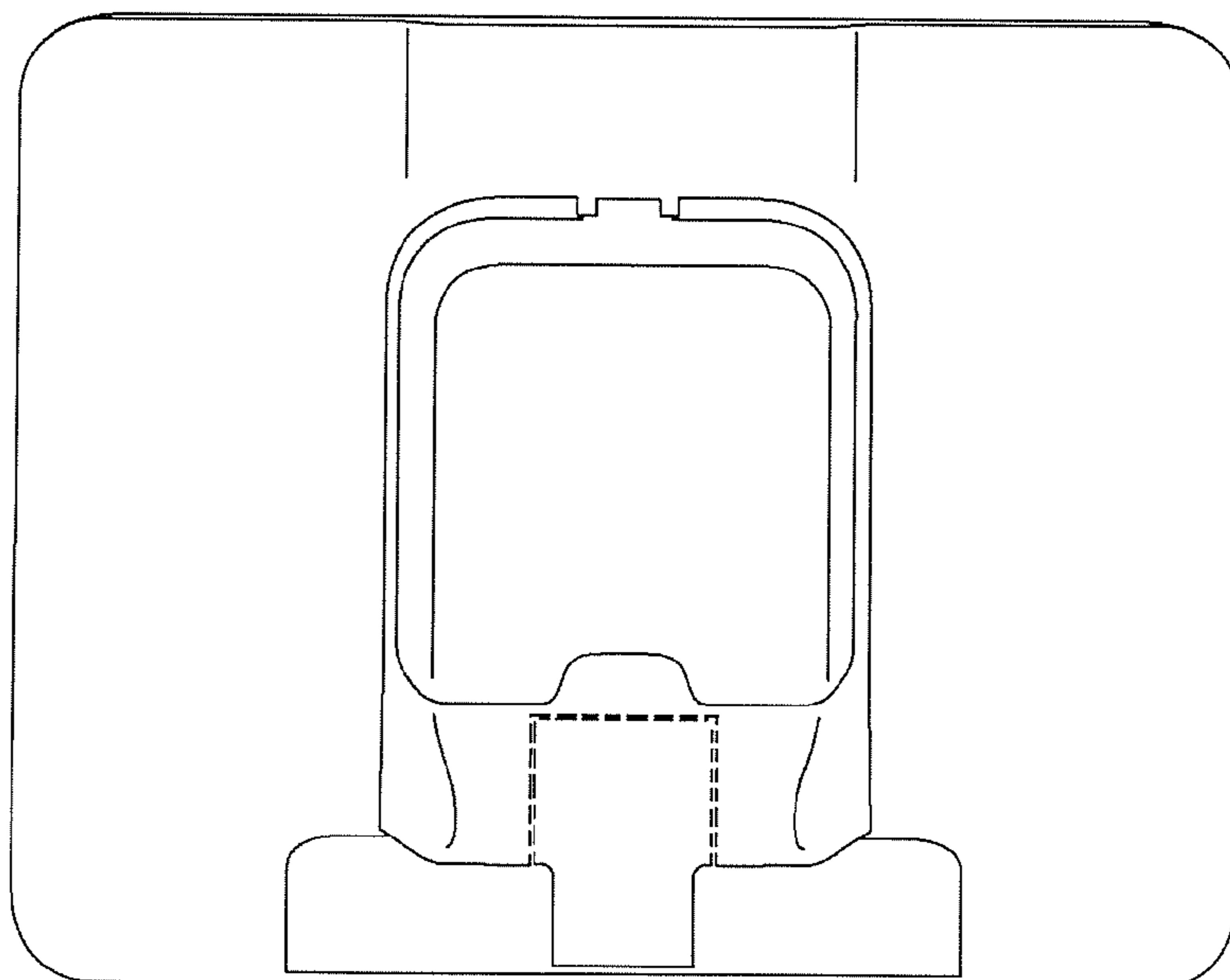
D532,953 S	11/2006	Lauer et al.		D628,142 S	11/2010	Farber	
D539,794 S *	4/2007	Rossini et al. ....	D14/302	D628,701 S	12/2010	Nordgren et al.	
D544,962 S *	6/2007	Diener et al. ....	D24/186	D629,523 S	12/2010	Porter et al.	
D555,792 S	11/2007	Haymann et al.		D631,551 S	1/2011	Nordgren et al.	
D559,390 S	1/2008	Diener et al.		D632,796 S	2/2011	Ross et al.	
D568,258 S	5/2008	Adam		D632,797 S	2/2011	Ross et al.	
D594,622 S	6/2009	Kissun		D634,429 S	3/2011	Nordgren et al.	
D600,873 S	9/2009	Banasik et al.		D643,535 S	8/2011	Ross et al.	
7,594,468 B2	9/2009	Kania et al.		D648,855 S	11/2011	Smith et al.	
7,594,668 B2	9/2009	Arceta et al.		D652,936 S	1/2012	Ross et al.	
D606,202 S	12/2009	Banryu		D655,013 S	2/2012	Sabaris Vilas	
D613,866 S *	4/2010	Tanaka et al. ....	D24/185	D657,470 S	4/2012	Schon et al.	
D613,867 S	4/2010	Tanaka et al.		D663,576 S	7/2012	McEldowney	
D626,235 S	10/2010	Smith et al.		D687,260 S	8/2013	Rae	
D626,237 S	10/2010	Nordgren et al.		D702,840 S *	4/2014	Blomquist et al. ....	D24/164
D627,474 S	11/2010	Nordgren et al.		2007/0228680 A1	10/2007	Reppert et al.	
				2009/0015116 A1	1/2009	Arceta et al.	
				2010/0148458 A1	6/2010	Ross et al.	
				2014/0053371 A1	2/2014	Feinstein	

\* cited by examiner

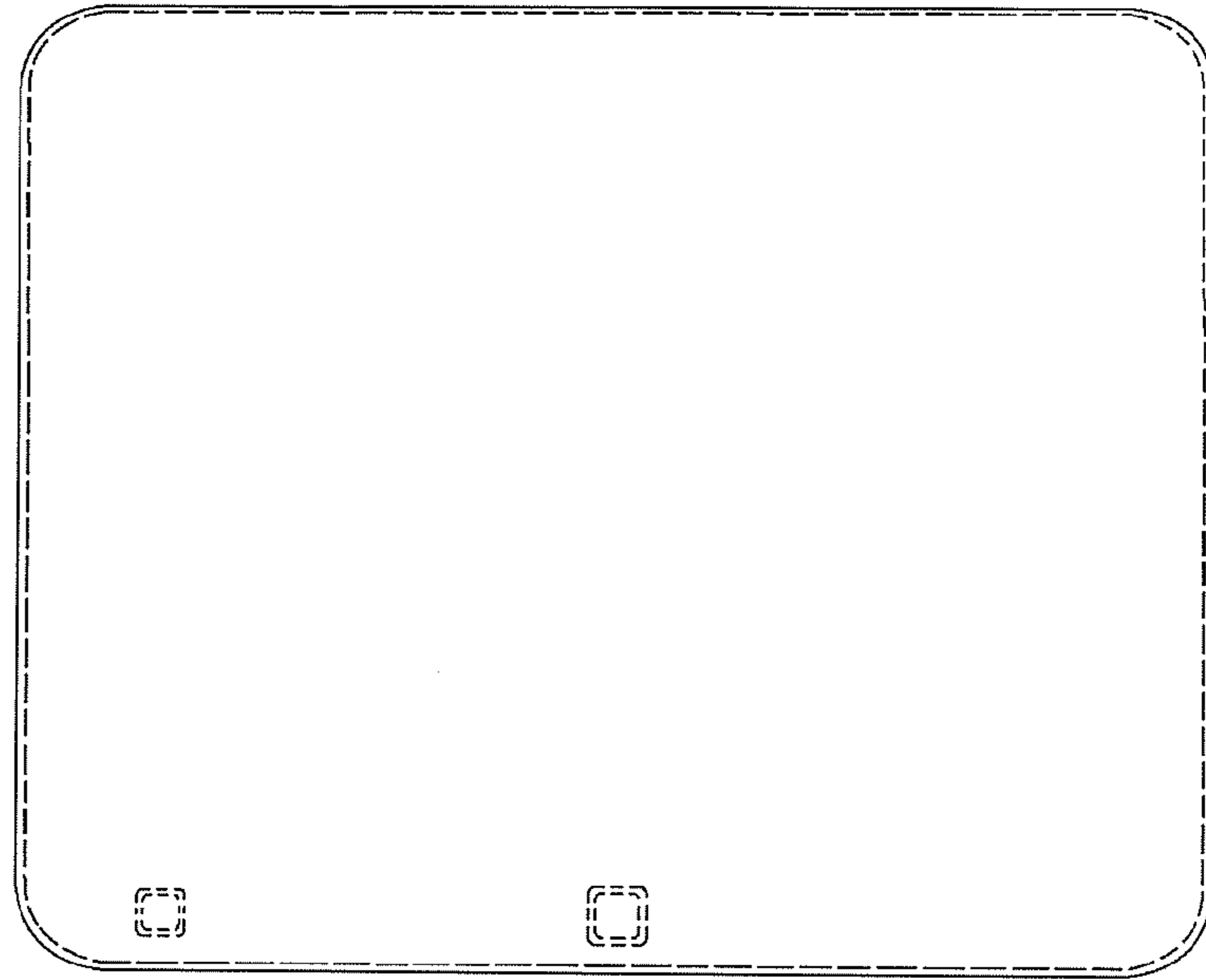
**FIG. 1**



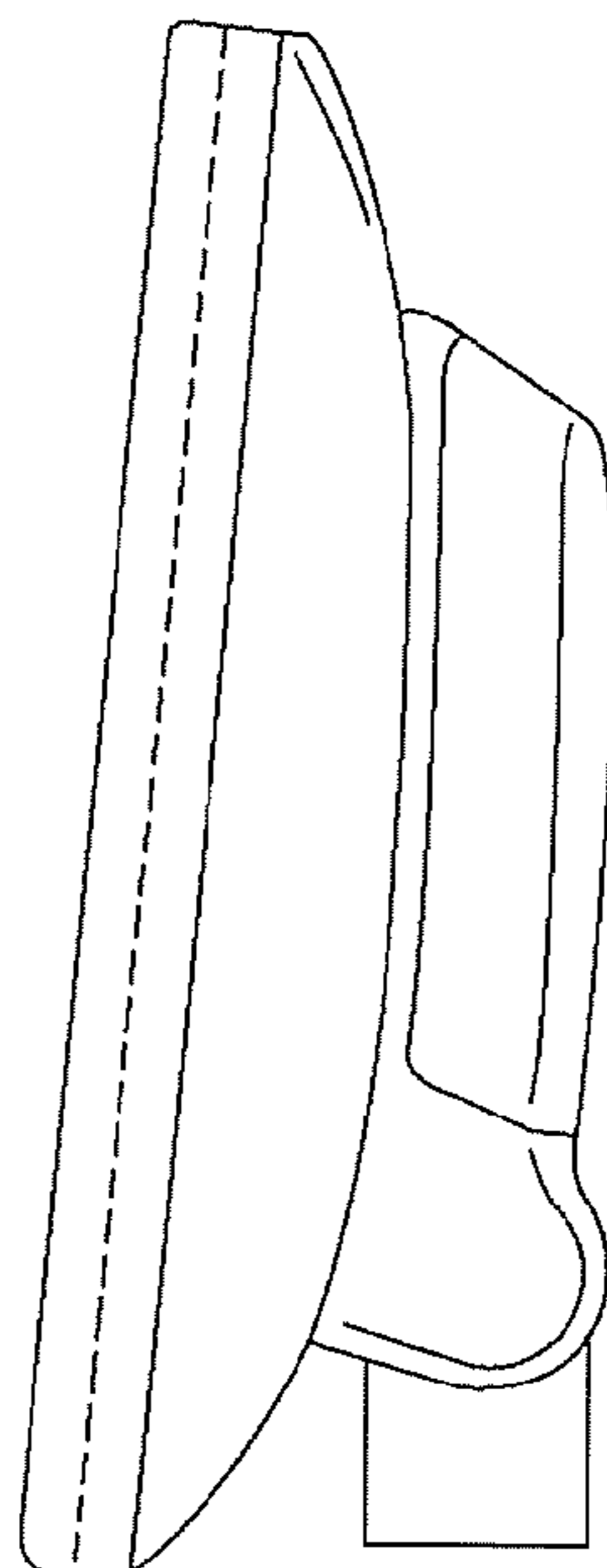
**FIG. 2**



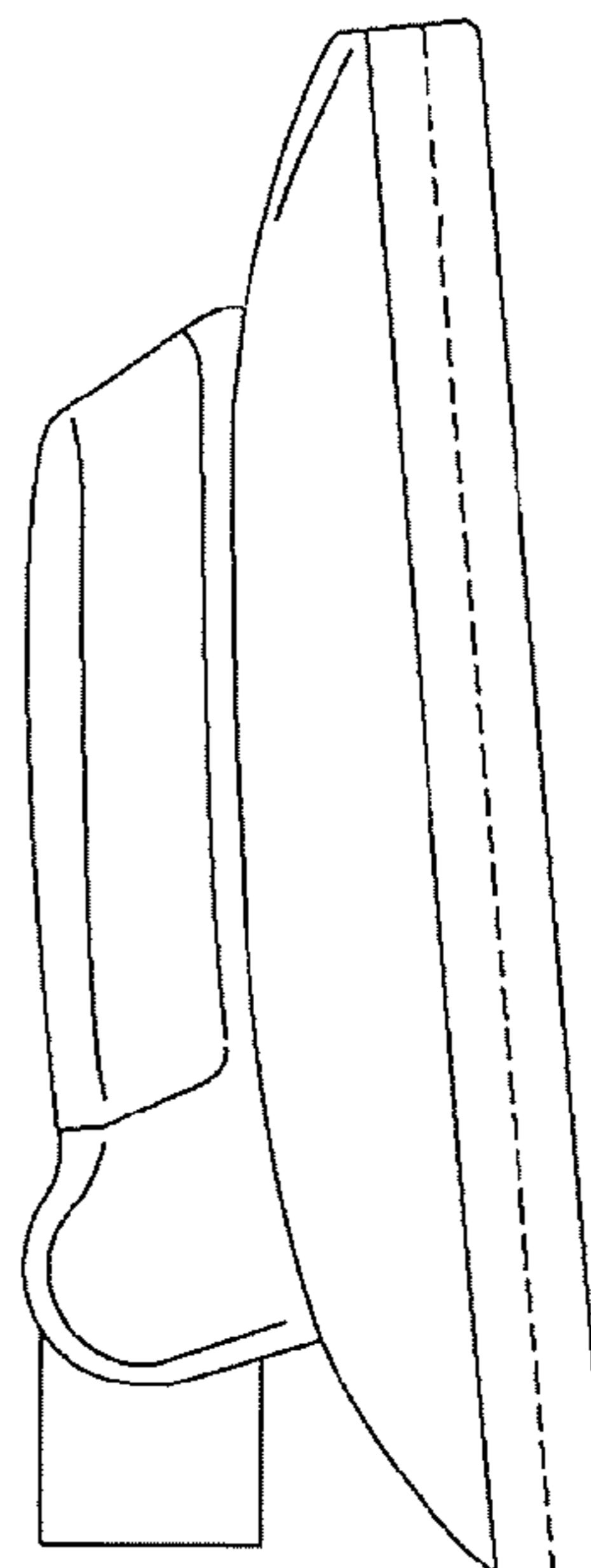
**FIG. 3**



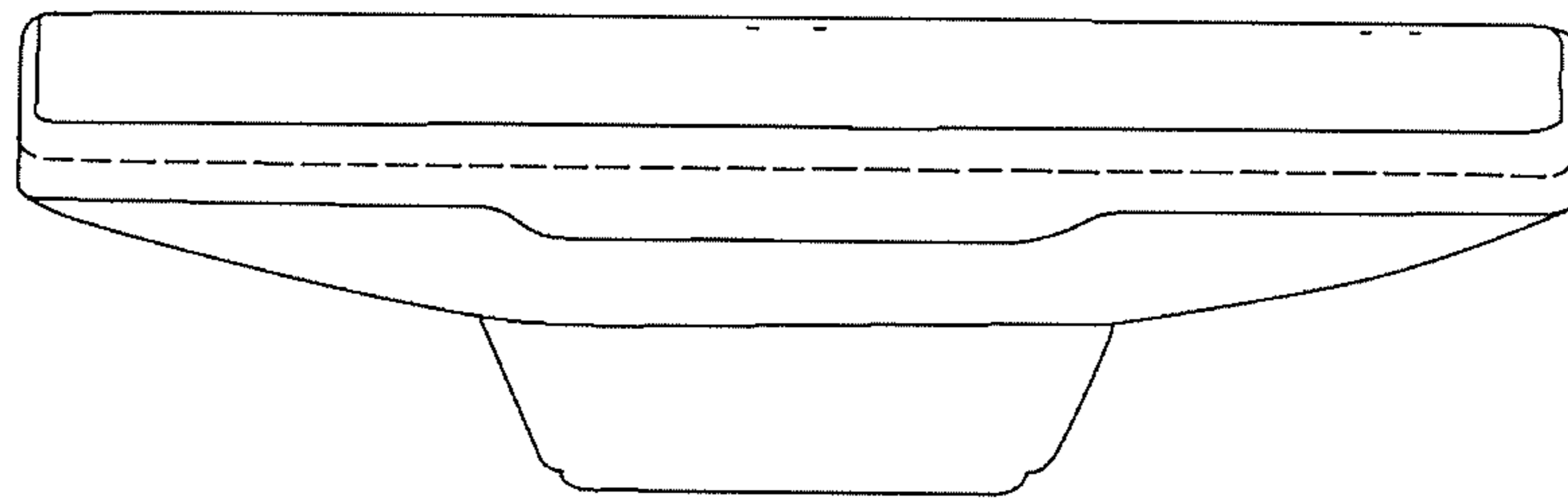
**FIG. 4**



**FIG. 5**



**FIG. 6**



**FIG. 7**

