



US00D739933S

(12) **United States Design Patent**
Ettlin

(10) **Patent No.:** **US D739,933 S**

(45) **Date of Patent:** **** Sep. 29, 2015**

(54) **APPLICATOR**

(71) Applicant: **Sulzer Mixpac AG**, Haag (CH)

(72) Inventor: **Josef Ettlin**, Eichberg (CH)

(73) Assignee: **SULZER MIXPAC AG**, Haag (CH)

(**) Term: **14 Years**

(21) Appl. No.: **29/461,222**

(22) Filed: **Jul. 19, 2013**

(30) **Foreign Application Priority Data**

Jan. 28, 2013 (CH) 139 569

(51) **LOC (10) Cl.** **24-02**

(52) **U.S. Cl.**
USPC **D24/114**

(58) **Field of Classification Search**
USPC D24/112-114, 133, 186, 104, 130, 127,
D24/119; D28/7, 8, 20-22, 30-31, 76, 85,
D28/99; 606/181, 185; 604/264, 272, 115,
604/232, 187, 158, 164.08, 192, 263, 163,
604/181, 184, 198, 227; 132/108, 202, 208,
132/317, 320; 401/202-207, 261-267;
D4/132-135

See application file for complete search history.

(56) **References Cited**

U.S. PATENT DOCUMENTS

3,016,896	A *	1/1962	Van Sickle	604/89
3,884,231	A *	5/1975	Peters	604/218
4,787,891	A *	11/1988	Levin et al.	604/136
D323,391	S *	1/1992	Payne et al.	D24/130
D368,838	S *	4/1996	Paklaian	D8/14.1
D371,057	S *	6/1996	Nicol	D8/2
D378,406	S *	3/1997	Kugler	D24/114

5,697,918	A *	12/1997	Fischer et al.	604/227
6,159,184	A *	12/2000	Perez et al.	604/192
6,217,559	B1 *	4/2001	Foster	604/195
D448,474	S *	9/2001	Jansen et al.	D24/114
D448,475	S *	9/2001	Jansen et al.	D24/114
D463,025	S *	9/2002	Swenson	D24/130
D463,546	S *	9/2002	Jansen et al.	D24/114
6,585,691	B1 *	7/2003	Vitello	604/111
D489,819	S *	5/2004	Ford	D24/114
D540,908	S *	4/2007	Py et al.	D23/213
D598,093	S *	8/2009	Kawamura	D24/130
D675,540	S *	2/2013	Montminy	D9/724
D692,308	S *	10/2013	Baker	D9/548
D699,342	S *	2/2014	Suzuki	D24/114
2004/0267210	A1 *	12/2004	Popovsky	604/263
2009/0171297	A1 *	7/2009	Smith et al.	604/198
2012/0191048	A1 *	7/2012	Eaton	604/198

* cited by examiner

Primary Examiner — David Muller

Assistant Examiner — Nathan Johnston

(74) *Attorney, Agent, or Firm* — Global IP Counselors, LLP

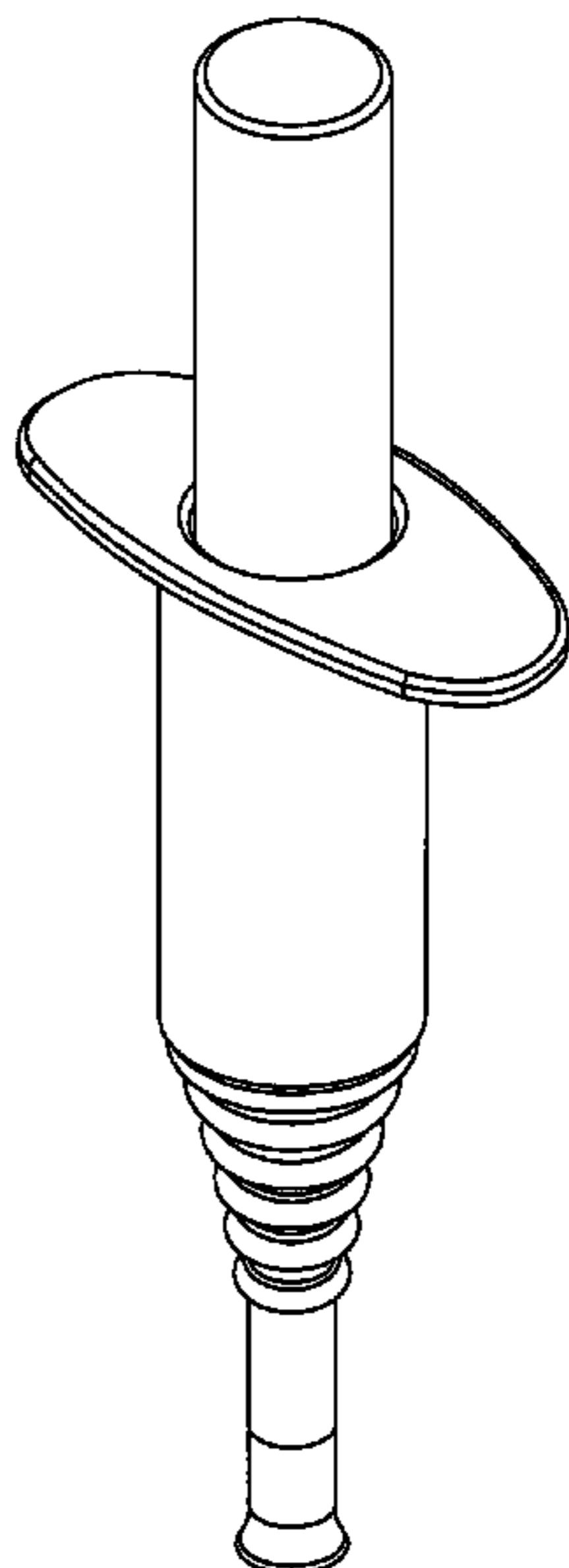
(57) **CLAIM**

The ornamental design for an applicator, as shown and described herein.

DESCRIPTION

FIG. 1 illustrates a perspective view of the applicator showing my new design;
FIG. 2 illustrates a side view thereof;
FIG. 3 illustrates a side view thereof;
FIG. 4 illustrates a side view thereof;
FIG. 5 illustrates a side view thereof;
FIG. 6 illustrates a bottom view thereof; and,
FIG. 7 illustrates a top view thereof.
The broken lines showing of the bottom surfaces and recess in FIG. 6 are for the purpose of illustrating environmental structure and form no part of the claimed design.

1 Claim, 7 Drawing Sheets



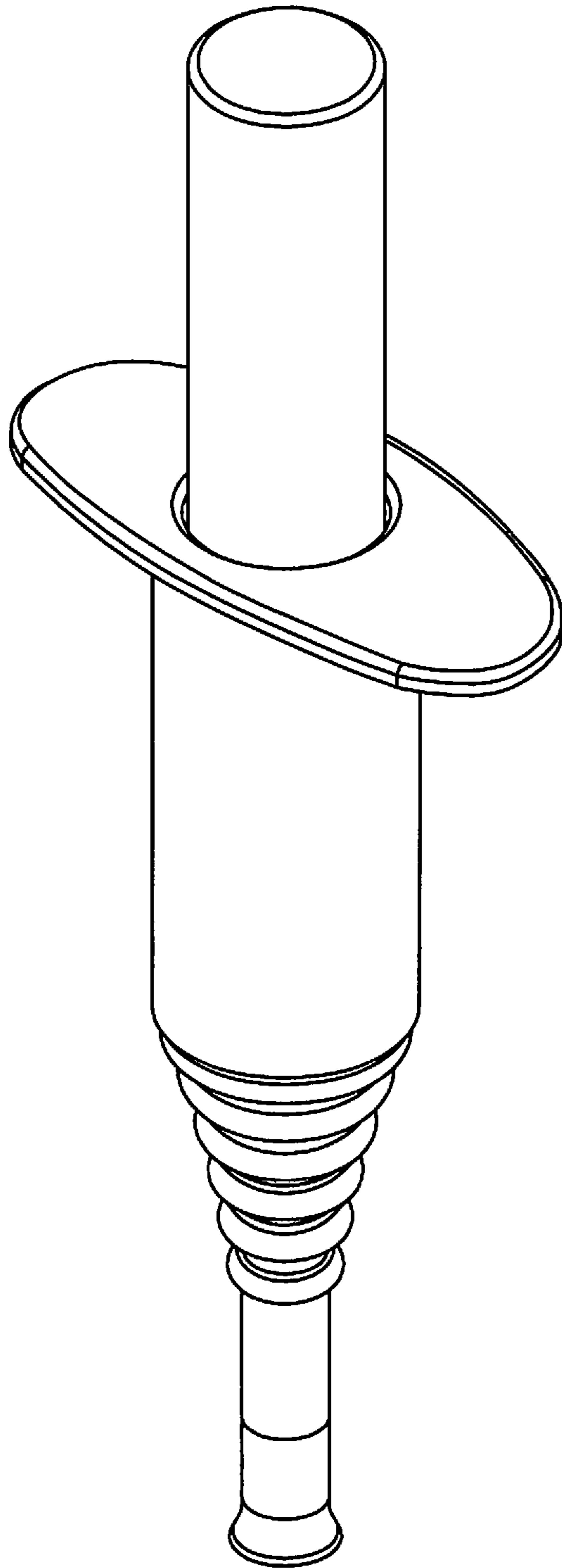


FIG. 1

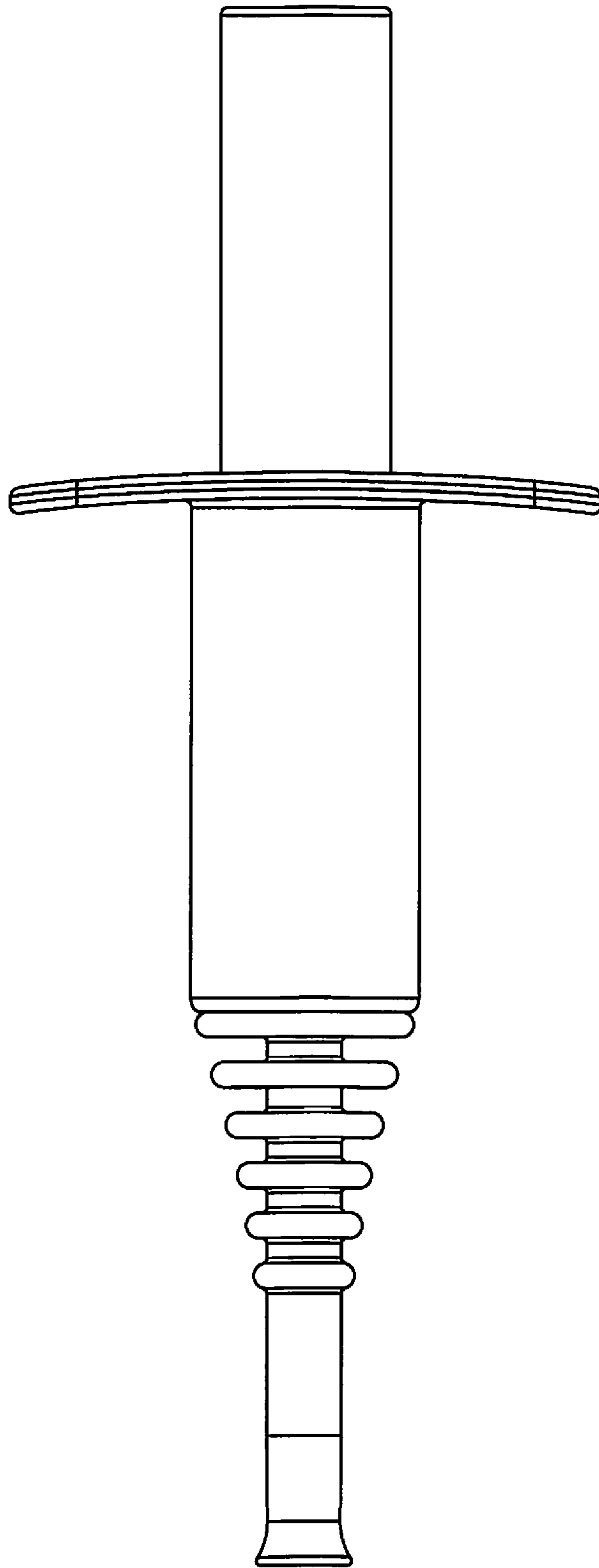


FIG. 2

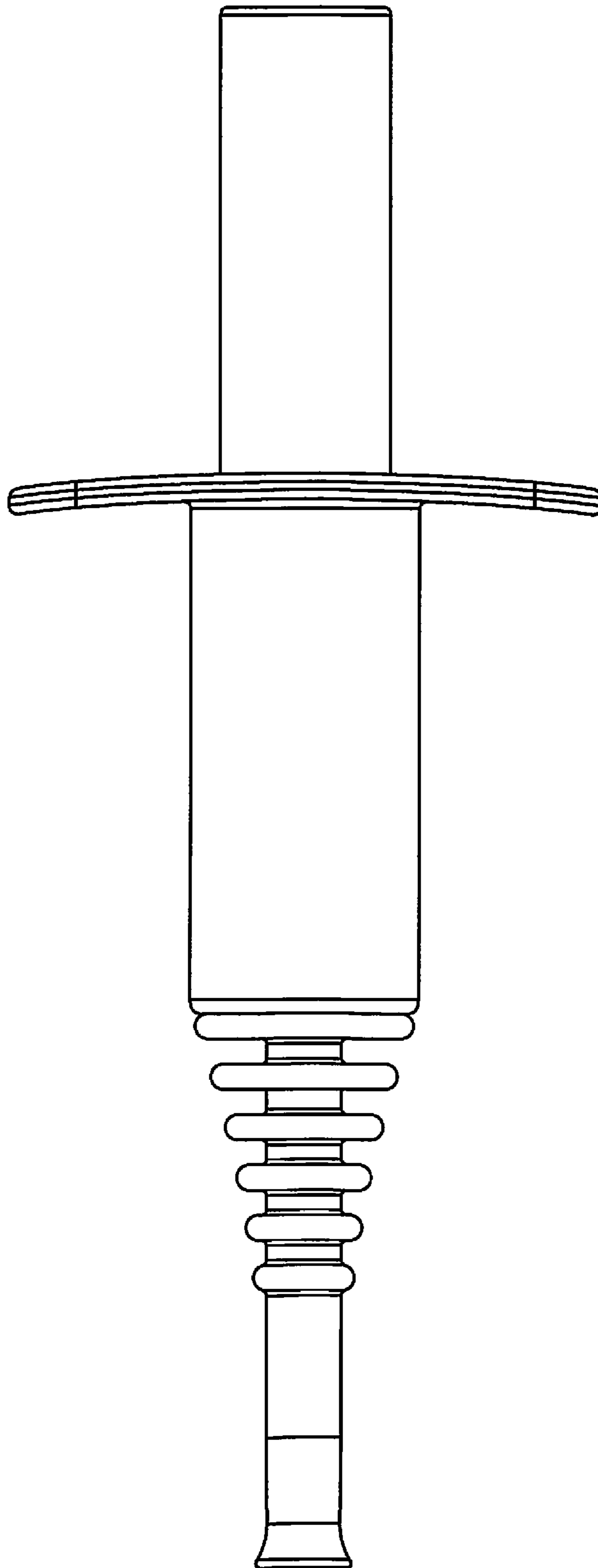


FIG. 3

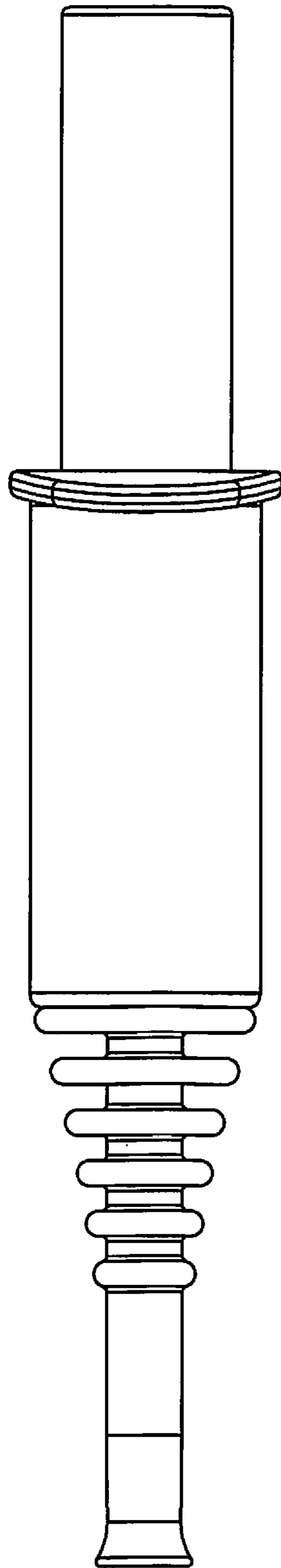


FIG. 4

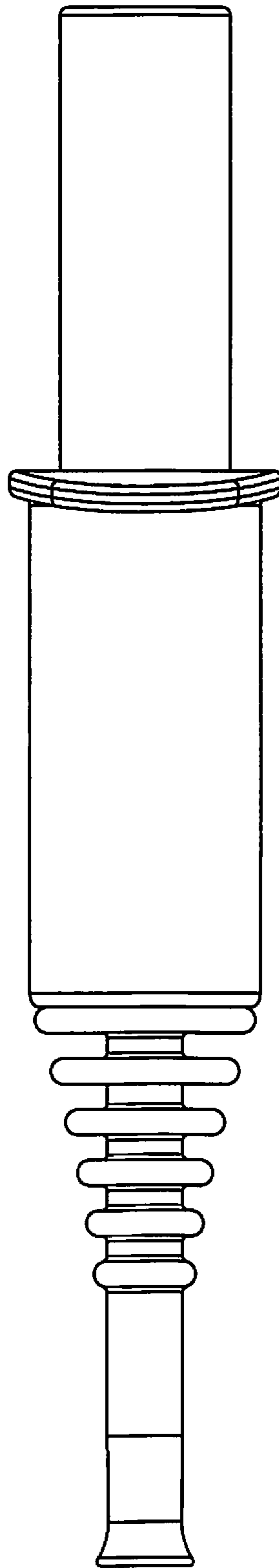


FIG. 5

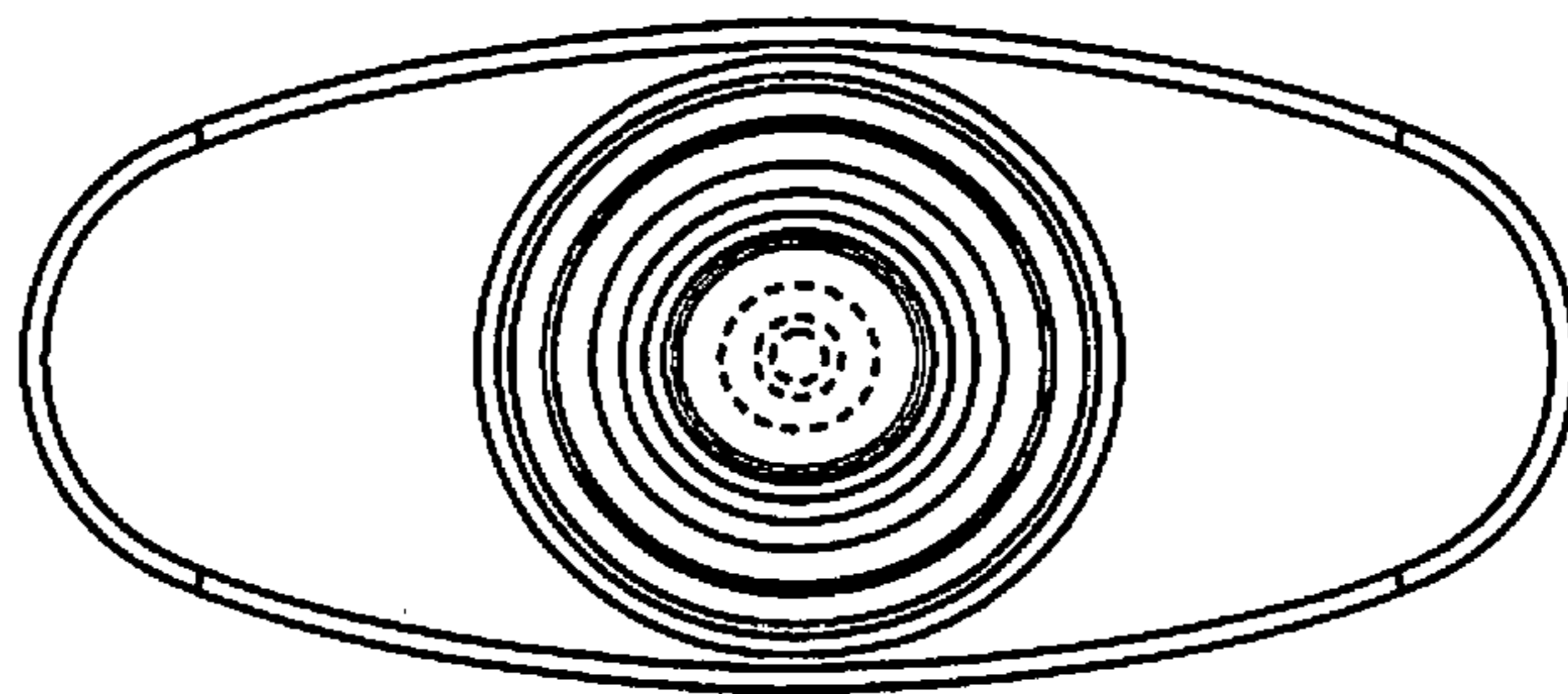


FIG. 6

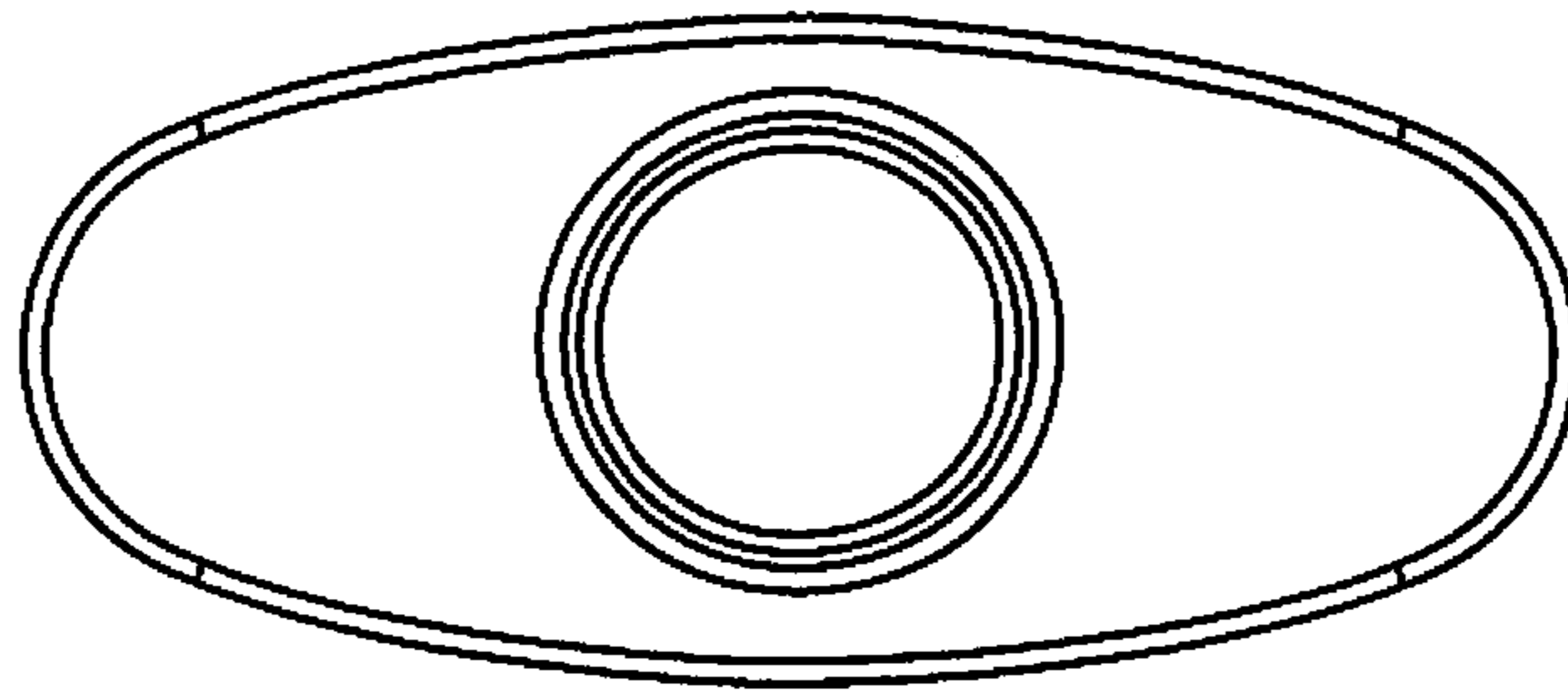


FIG. 7