

US00D739932S

(12) **United States Design Patent**
Ratjen et al.

(10) **Patent No.:** **US D739,932 S**
(45) **Date of Patent:** **** Sep. 29, 2015**

(54) **MEDICAMENT INJECTION DEVICE**

(71) Applicant: **CAREBAY EUROPE LIMITED,**
Valleta (MT)

(72) Inventors: **Jochen Ratjen,** Nacka (SE); **Katja Wessel,** Stockholm (SE)

(73) Assignees: **SANOFI,** Paris (FR); **REGENERON PHARMACEUTICALS, INC.,** Tarrytown, NY (US)

(**) Term: **14 Years**

(21) Appl. No.: **29/483,790**

(22) Filed: **Mar. 3, 2014**

(51) **LOC (10) Cl.** **24-02**

(52) **U.S. Cl.**
USPC **D24/113**

(58) **Field of Classification Search**
USPC D24/112–114, 133, 186, 104, 130, 127;
606/181, 185; 604/264, 272, 115, 232,
604/187, 158, 164.08, 192, 263, 163, 181,
604/184, 198, 227
CPC A61M 5/2003; A61M 5/3204; A61M
2005/208; A61M 2005/206; A61M 2005/2418
See application file for complete search history.

(56) **References Cited**

U.S. PATENT DOCUMENTS

4,636,202 A * 1/1987 Lowin et al. 604/236
5,045,066 A * 9/1991 Scheuble et al. 604/198
5,501,670 A * 3/1996 Sak 604/110
D449,104 S * 10/2001 Baker et al. D24/112
RE37,439 E * 11/2001 Firth et al. 604/110

6,585,685 B2 * 7/2003 Staylor et al. 604/68
D484,244 S * 12/2003 Starnes D24/146
8,057,433 B2 * 11/2011 Cuca et al. 604/118
D671,638 S * 11/2012 Young et al. D24/113
D677,380 S * 3/2013 Julian et al. D24/113
D677,785 S * 3/2013 Stones et al. D24/113
D694,879 S * 12/2013 Julian et al. D24/113
2014/0330203 A1 * 11/2014 McLoughlin et al. 604/131

FOREIGN PATENT DOCUMENTS

WO 2013/135566 9/2013

* cited by examiner

Primary Examiner — David Muller

Assistant Examiner — Nathan Johnston

(74) *Attorney, Agent, or Firm* — McDonnell Boehnen Hulbert & Berghoff LLP

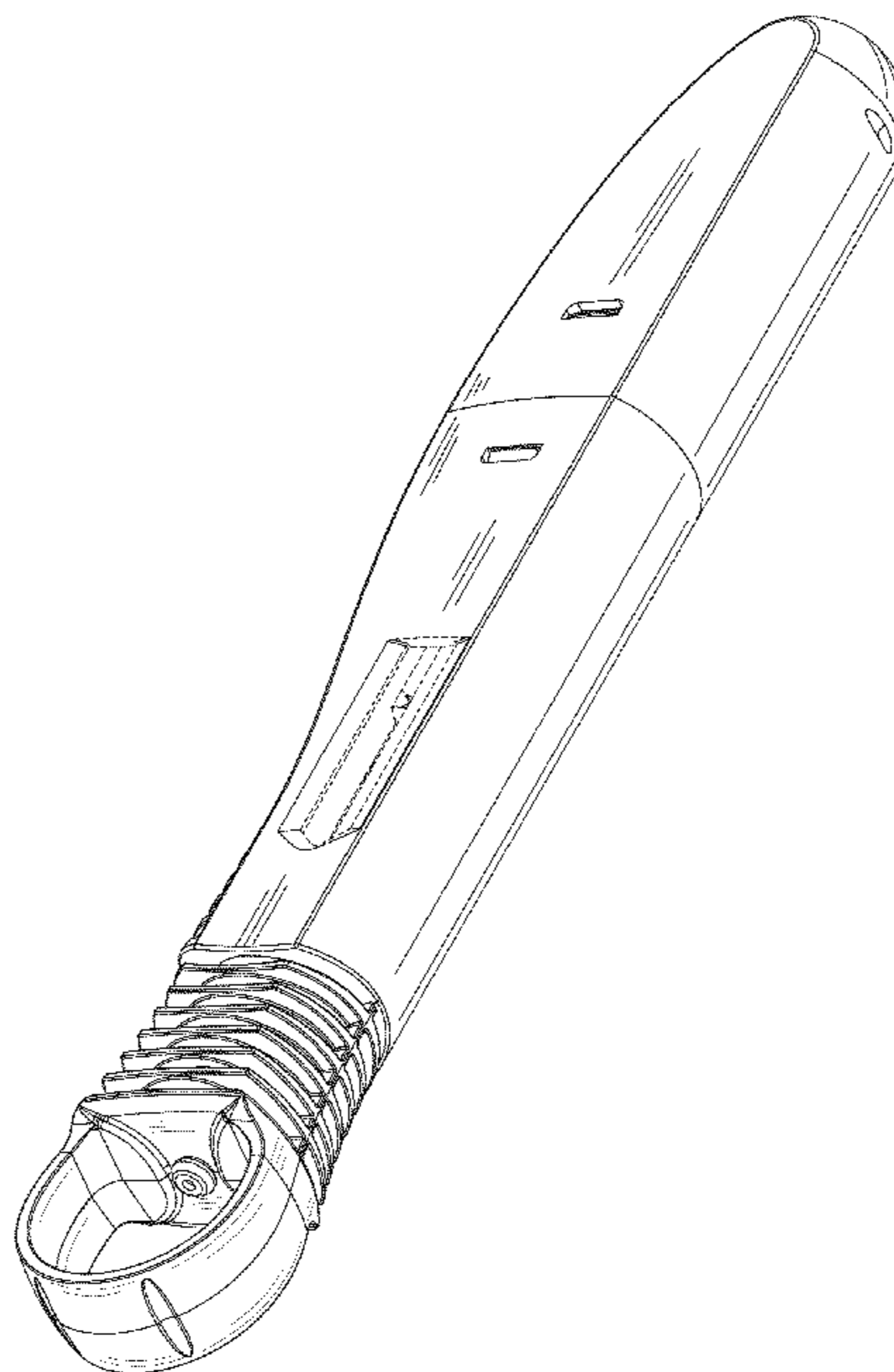
(57) **CLAIM**

The ornamental medicament injection device, as shown and described.

DESCRIPTION

FIG. 1 is a perspective view of the injection device with a cap portion attached to a distal portion of a main housing viewed from the front and left of and above the injection device; FIG. 2 is a front end elevation view thereof; FIG. 3 is a rear end elevation view thereof; FIG. 4 is a top plan view thereof; FIG. 5 is a bottom plan view thereof; FIG. 6 is a left side elevation view thereof; and, FIG. 7 is a right side elevation view thereof. The broken line showing of parts of the drawings is included for the purpose of illustrating use and environment and forms no part of the claimed design.

1 Claim, 4 Drawing Sheets



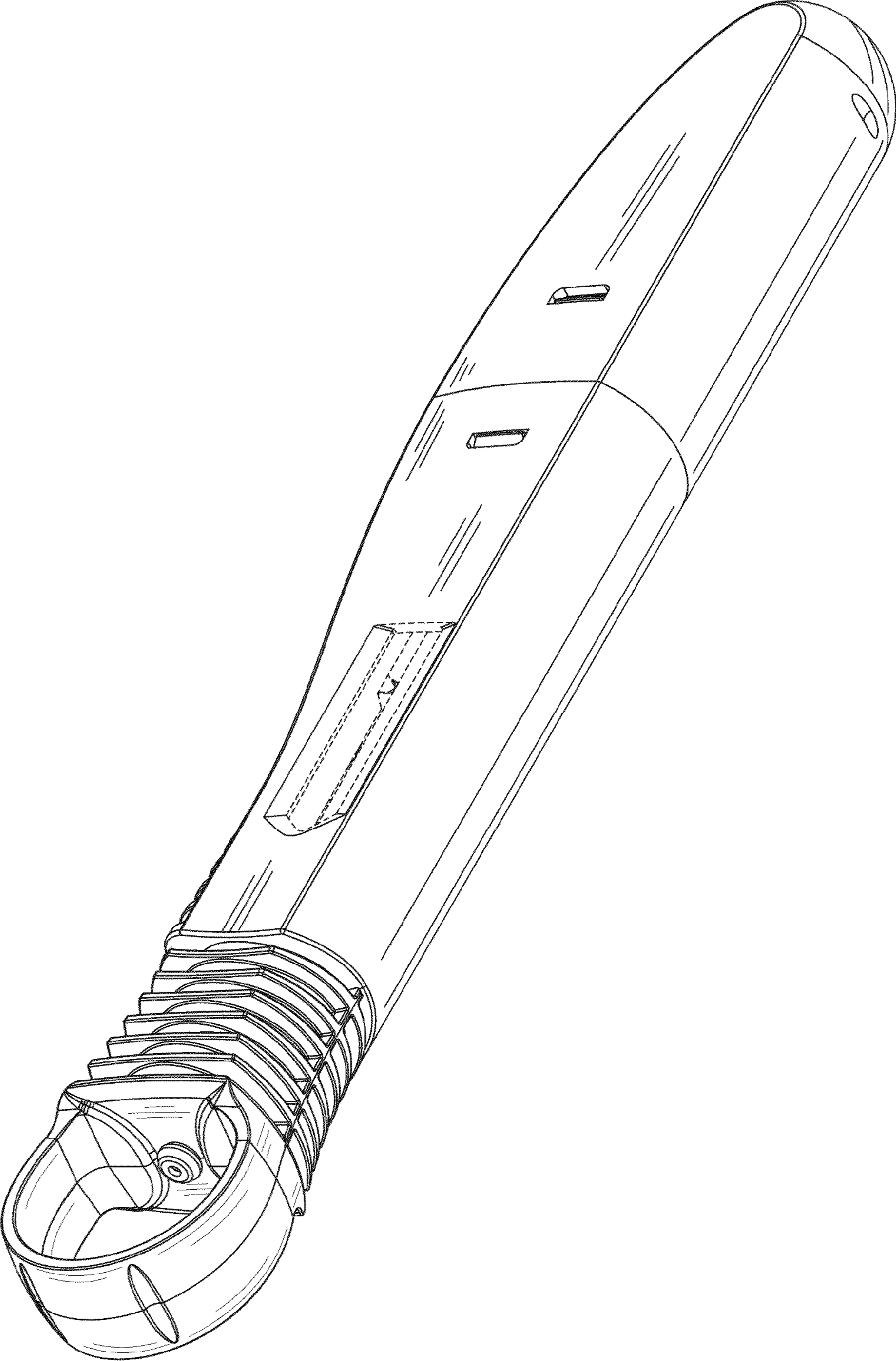


FIG. 1

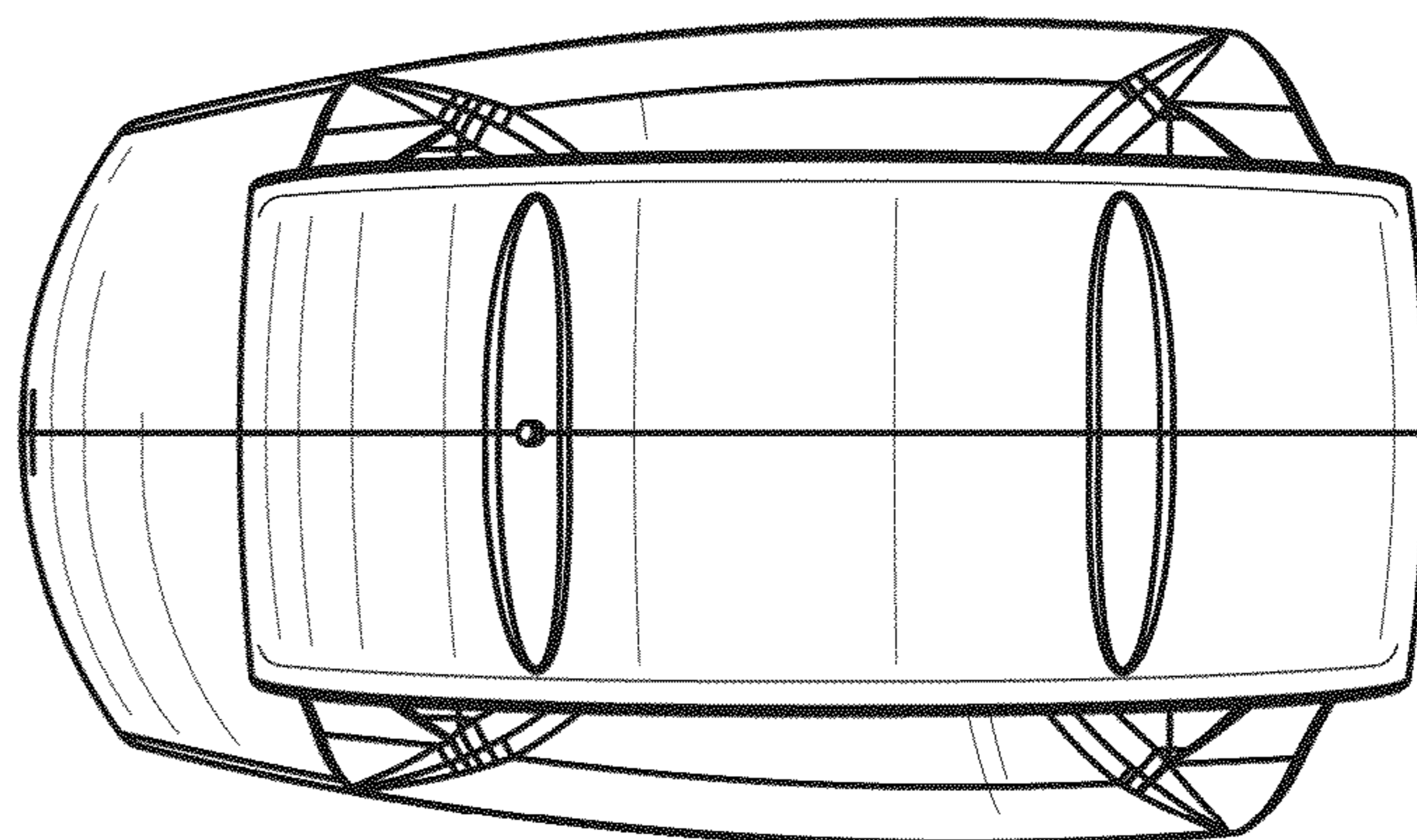


FIG. 2

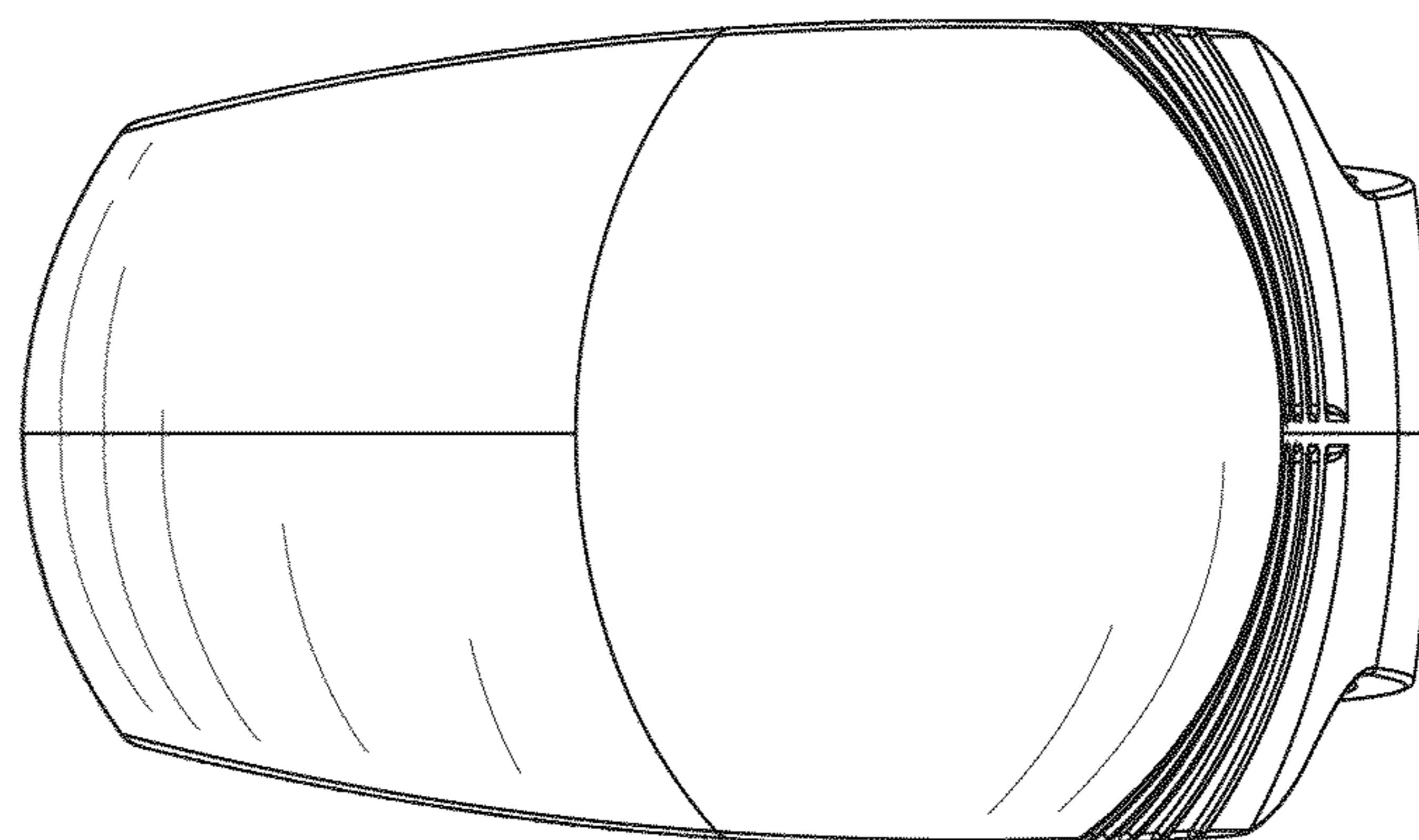


FIG. 3

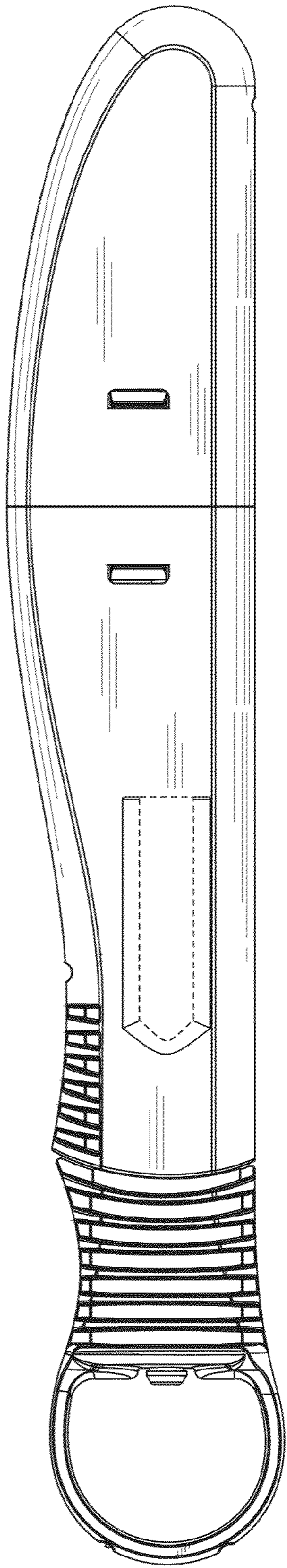


FIG. 4

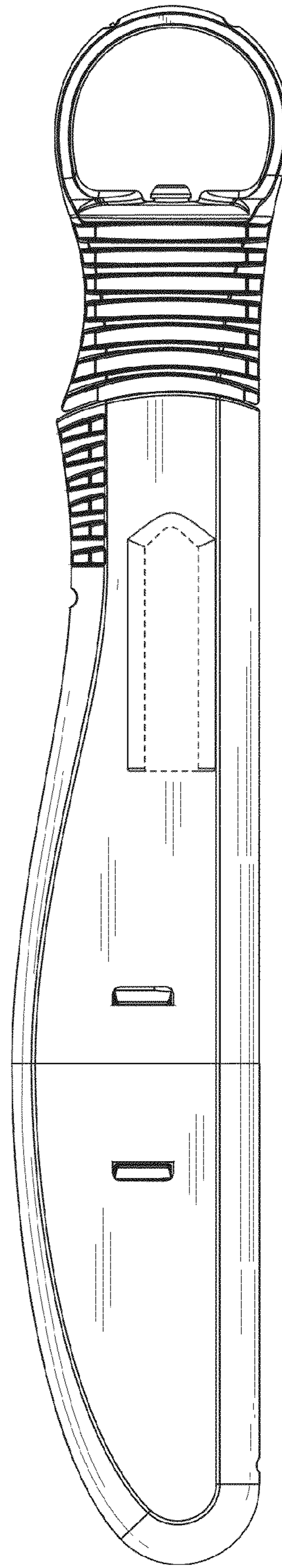


FIG. 5

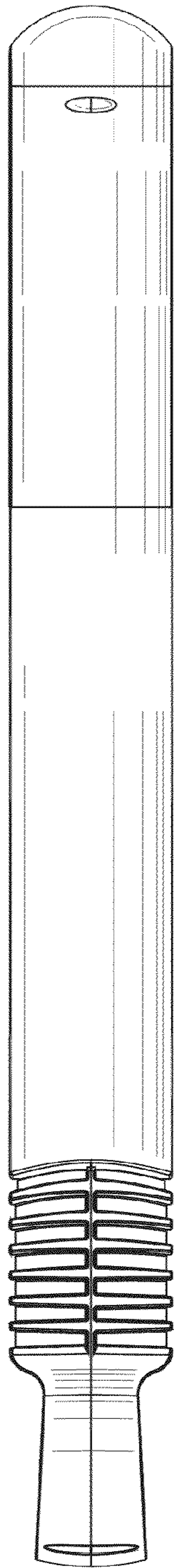


FIG. 6

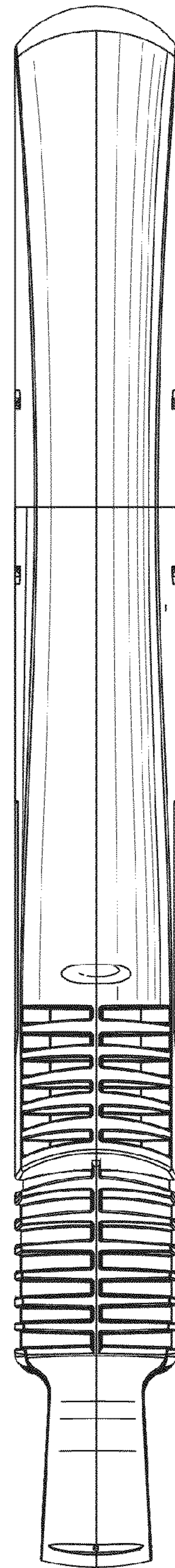


FIG. 7