



US00D739931S

(12) **United States Design Patent**
Juretich et al.

(10) **Patent No.:** **US D739,931 S**

(45) **Date of Patent:** **** *Sep. 29, 2015**

(54) **ENTERAL FEEDING PUMP CASSETTE**

(71) Applicant: **Zevex, Inc.**, Salt Lake City, UT (US)

(72) Inventors: **Jeffery T. Juretich**, Herriman, UT (US);
Michael Marshall, Herriman, UT (US);
Michael Elwood, Farmington, UT (US)

(73) Assignee: **ZEVEX, INC.**, Salt Lake City, UT (US)

(*) Notice: This patent is subject to a terminal disclaimer.

(**) Term: **14 Years**

(21) Appl. No.: **29/483,031**

(22) Filed: **Feb. 25, 2014**

Related U.S. Application Data

(63) Continuation-in-part of application No. 29/475,167, filed on Nov. 30, 2013.

(51) **LOC (10) Cl.** **24-02**

(52) **U.S. Cl.**
USPC **D24/111**

(58) **Field of Classification Search**
USPC D24/107, 111, 127, 185, 186, 232
CPC A61M 2205/702; A61M 2202/0482;
A61M 5/14232; A61M 5/142; A61M 2205/12;
A61M 2205/121
See application file for complete search history.

(56) **References Cited**

U.S. PATENT DOCUMENTS

D305,150 S *	12/1989	Pastrone	D24/111
D370,727 S *	6/1996	Atkinson et al.	D24/111
D455,489 S	4/2002	Beck et al.		
6,494,694 B2 *	12/2002	Lawless et al.	417/479
6,523,414 B1 *	2/2003	Malmstrom et al.	73/705
D476,414 S *	6/2003	Buck et al.	D24/111

6,659,976 B2 *	12/2003	Beck et al.	604/67
D501,924 S	2/2005	Cise et al.		
D504,506 S	4/2005	Beck et al.		
D504,507 S *	4/2005	Ziegler et al.	D24/111
D505,199 S	5/2005	Beck et al.		
D507,647 S	7/2005	Beck et al.		
D513,320 S *	12/2005	Stubkjaer	D24/111
D523,553 S	6/2006	Beck et al.		
D536,783 S	2/2007	Cise et al.		
7,934,912 B2 *	5/2011	Voltenburg et al.	417/477.2
8,062,008 B2 *	11/2011	Voltenburg et al.	417/477.2
D672,455 S	12/2012	Beck		
8,377,000 B2 *	2/2013	Pfouts	604/151
8,377,001 B2 *	2/2013	Pfouts et al.	604/151
8,425,470 B2	4/2013	Beck et al.		
8,491,285 B2 *	7/2013	Haser et al.	417/477.2

* cited by examiner

Primary Examiner — Deanna L Pratt

Assistant Examiner — Lilyana Bekic

(74) *Attorney, Agent, or Firm* — Hodgson Russ LLP

(57) **CLAIM**

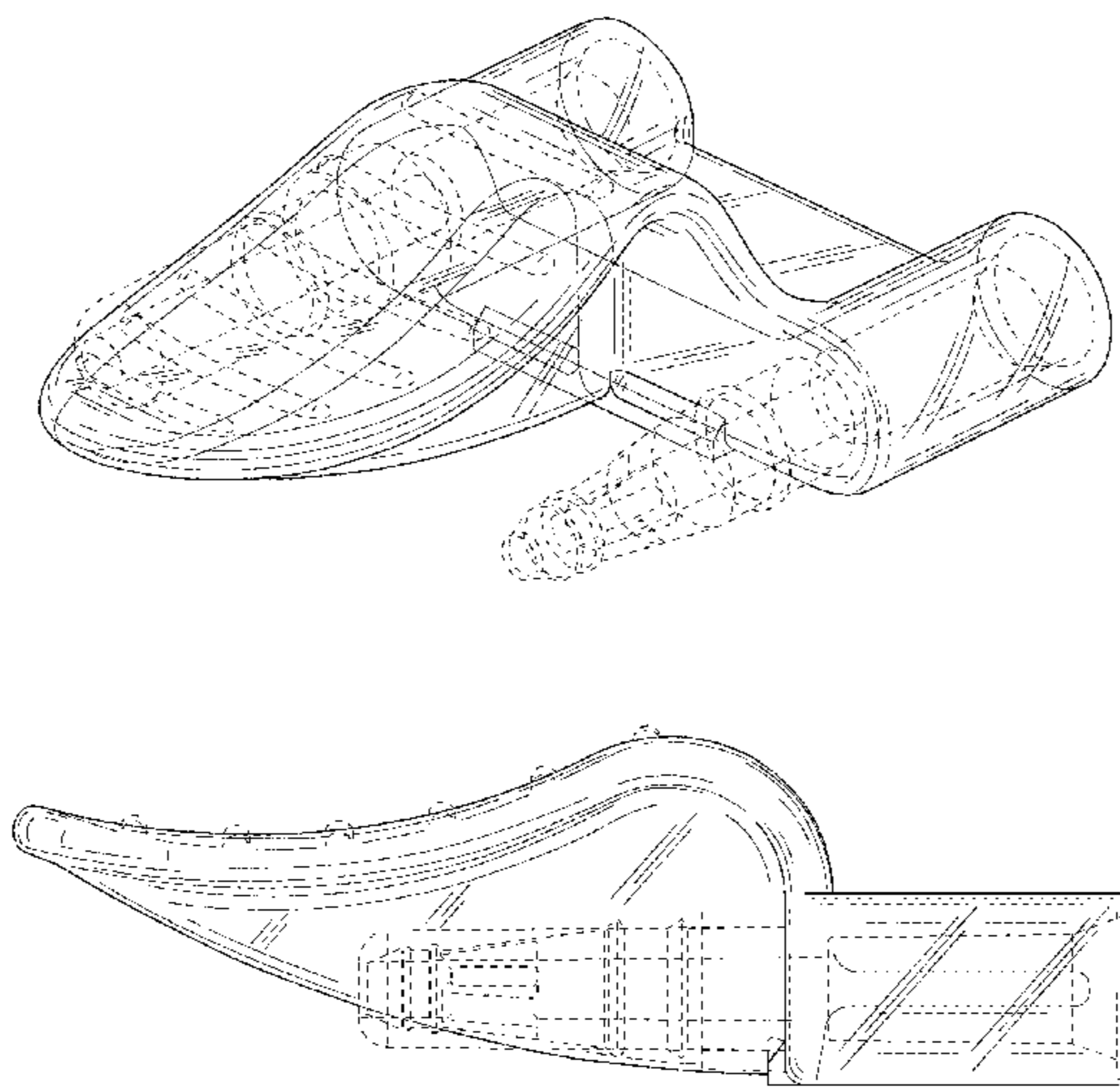
The ornamental design for an enteral feeding pump cassette, as shown and described.

DESCRIPTION

FIG. 1 is a perspective view of an enteral feeding pump cassette showing my new design;
FIG. 2 is another perspective view thereof;
FIG. 3 is a top view thereof;
FIG. 4 is a bottom view thereof;
FIG. 5 is a right side view thereof;
FIG. 6 is a left side view thereof
FIG. 7 is a front view thereof; and,
FIG. 8 is a rear view thereof.

The broken lines in the drawings illustrate portions of the enteral feeding pump cassette which form no part of the claimed design. The drawings are shaded to indicate the enteral feeding pump cassette is made of a transparent or translucent material.

1 Claim, 3 Drawing Sheets



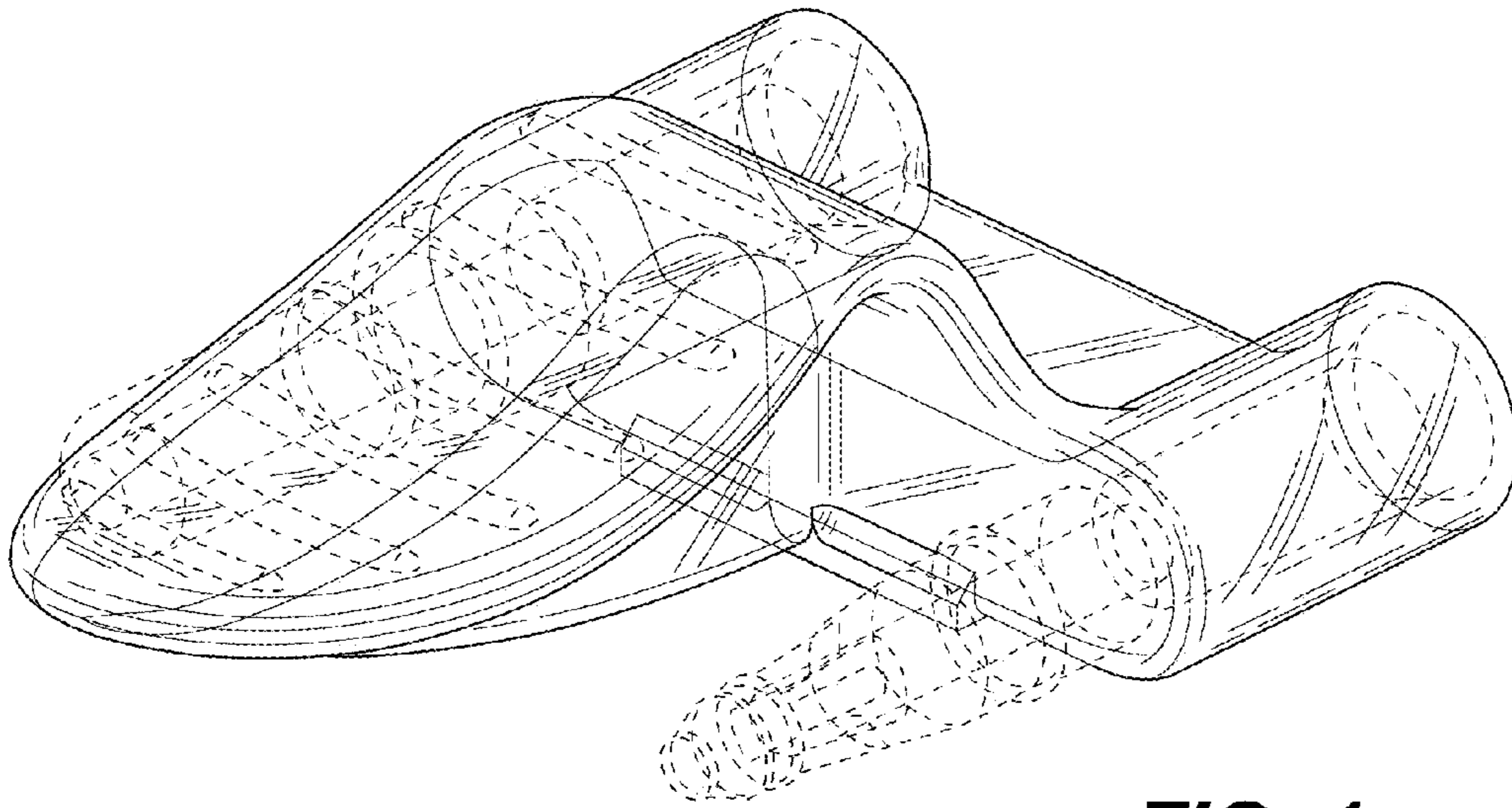


FIG. 1

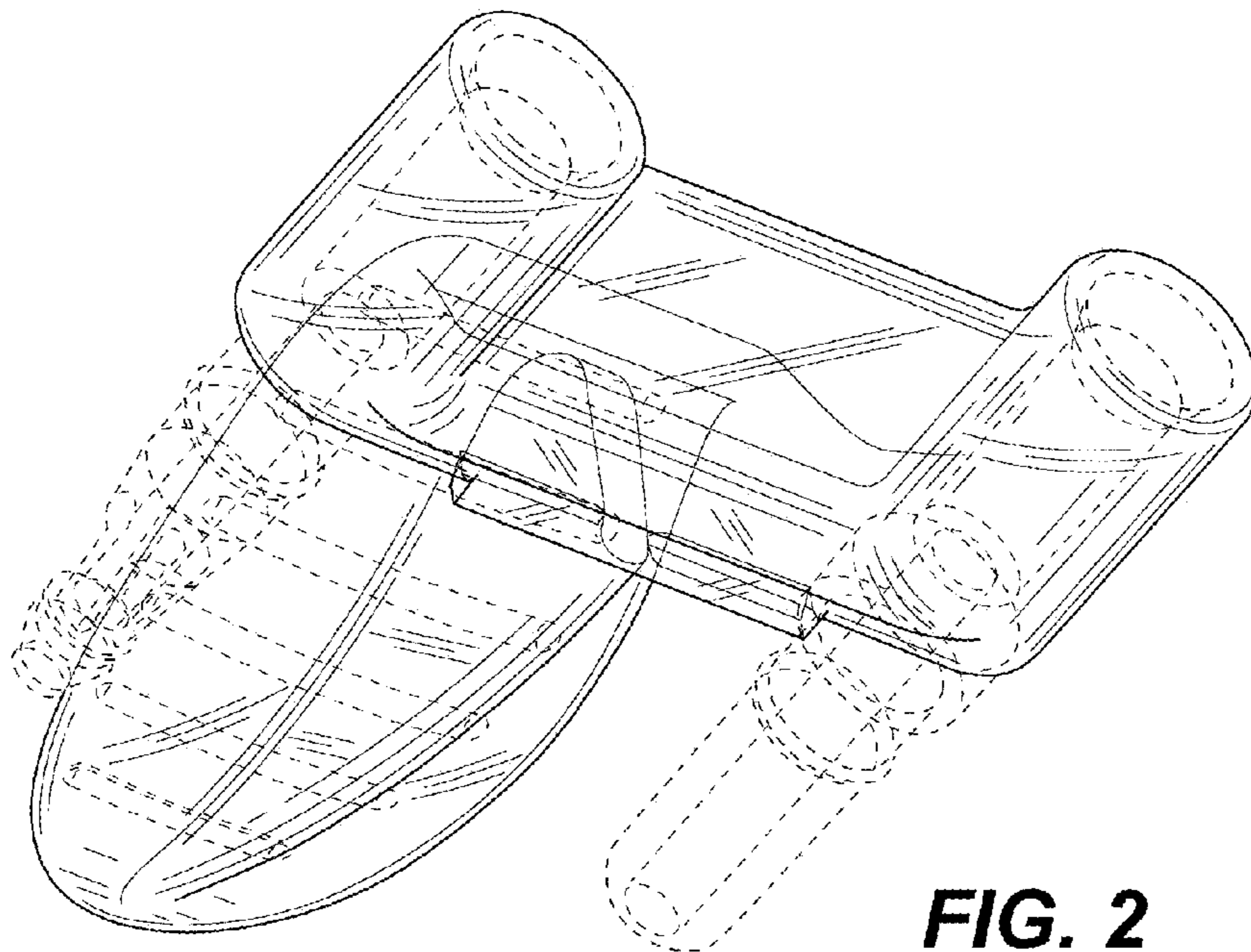


FIG. 2

FIG. 3

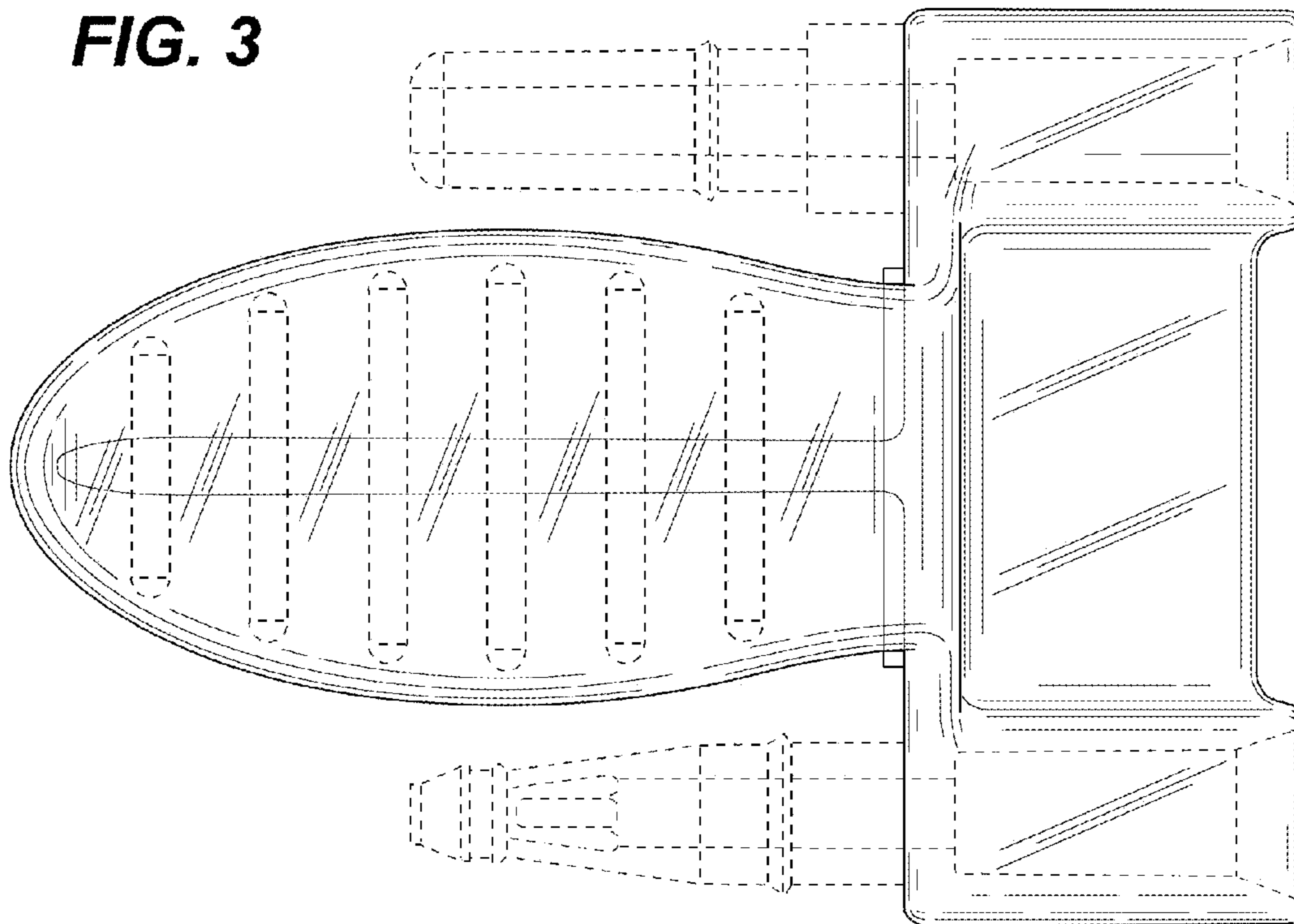


FIG. 4

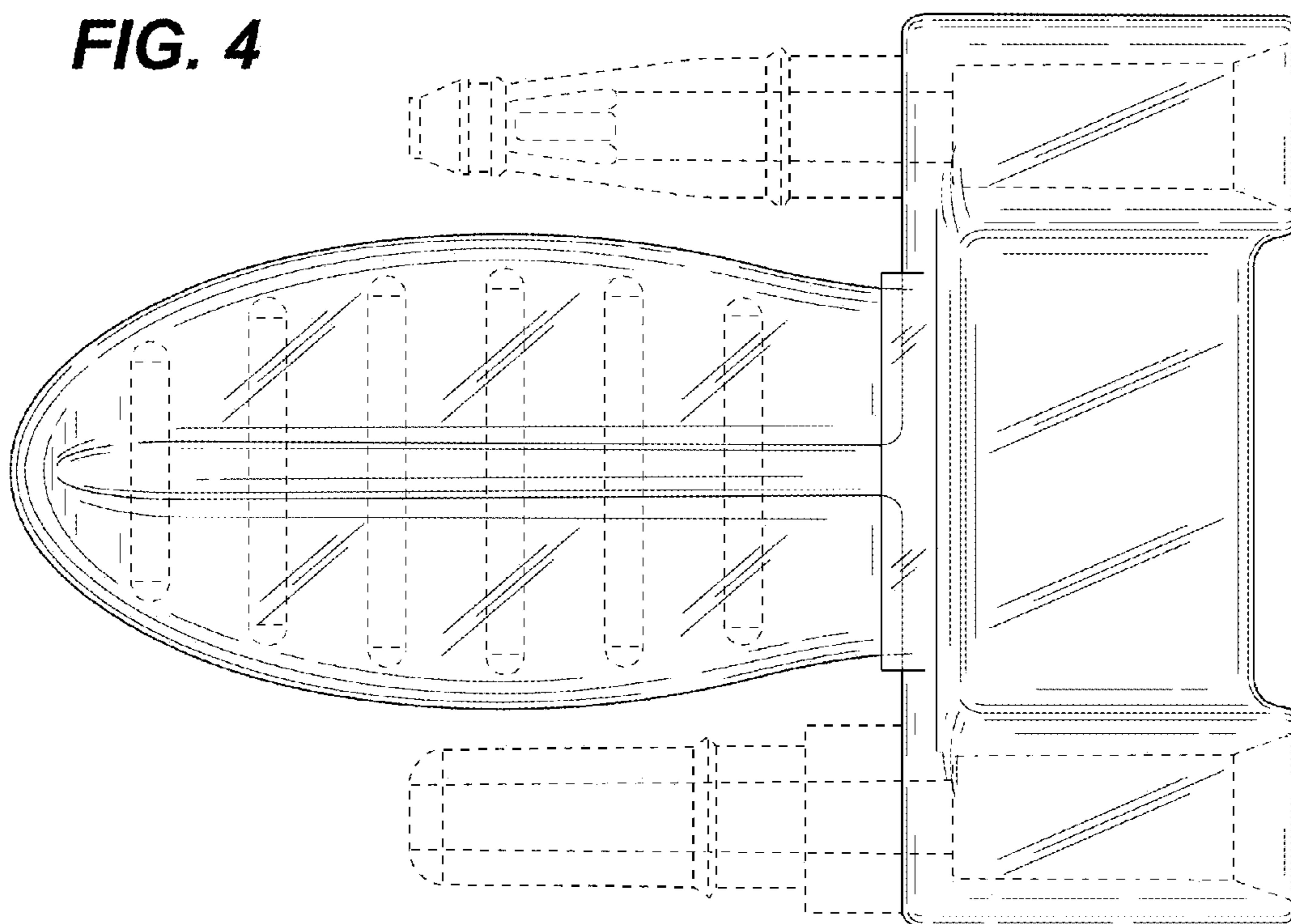


FIG. 5

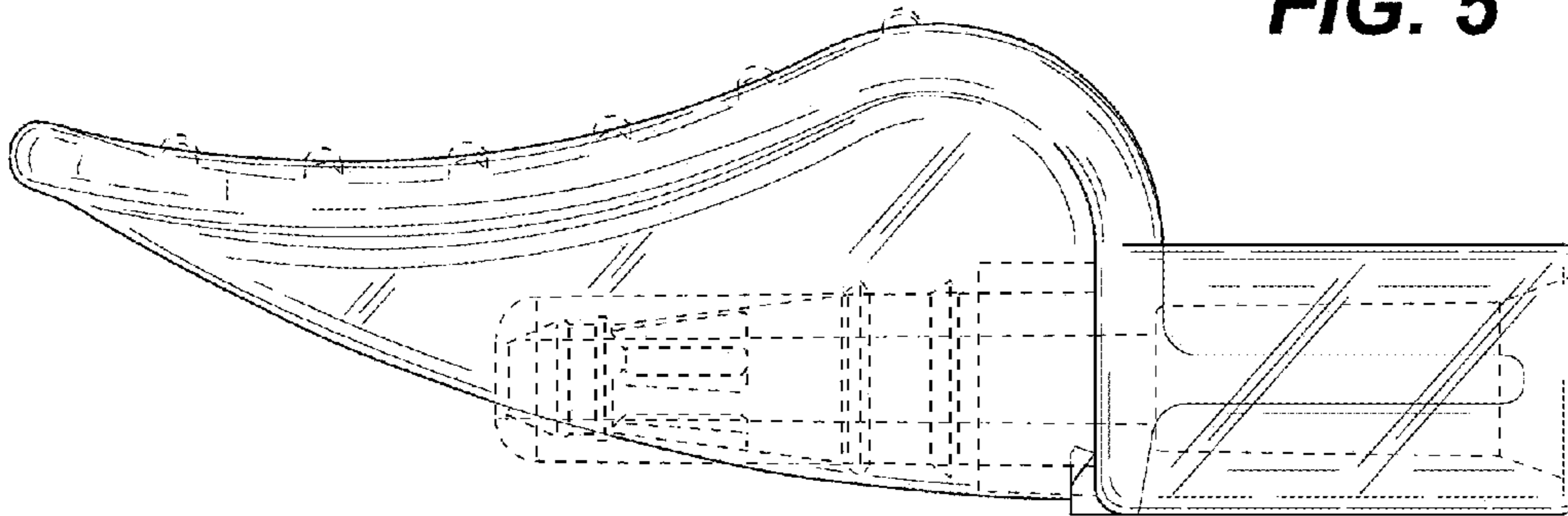


FIG. 6

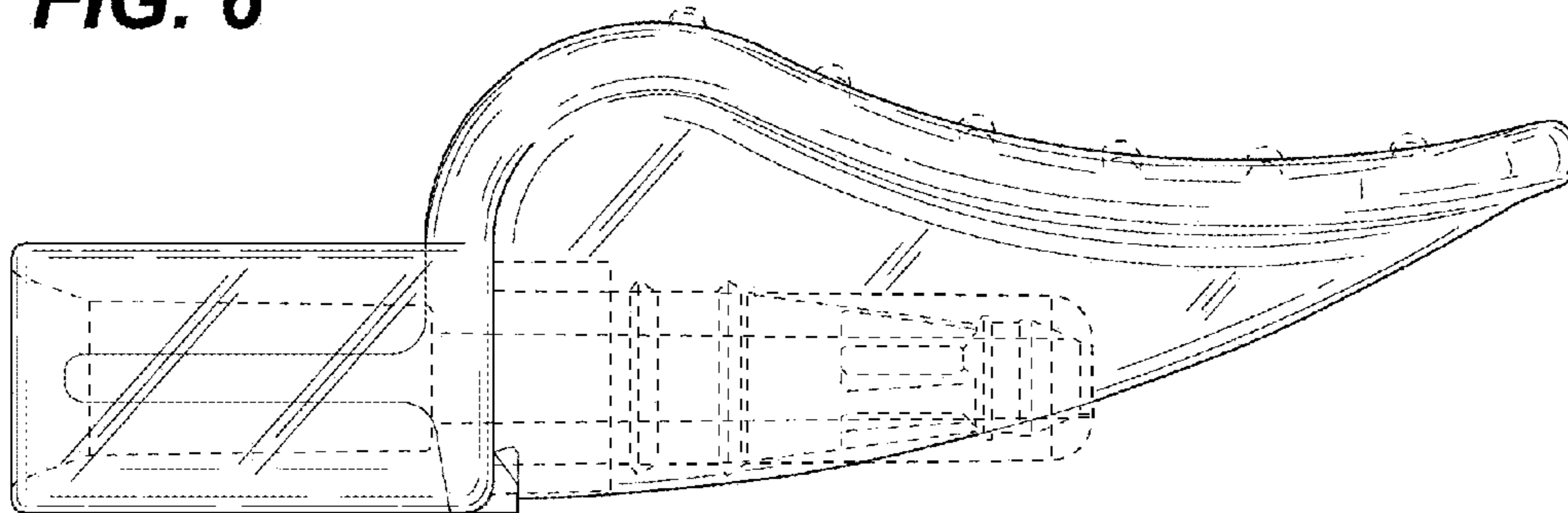


FIG. 7

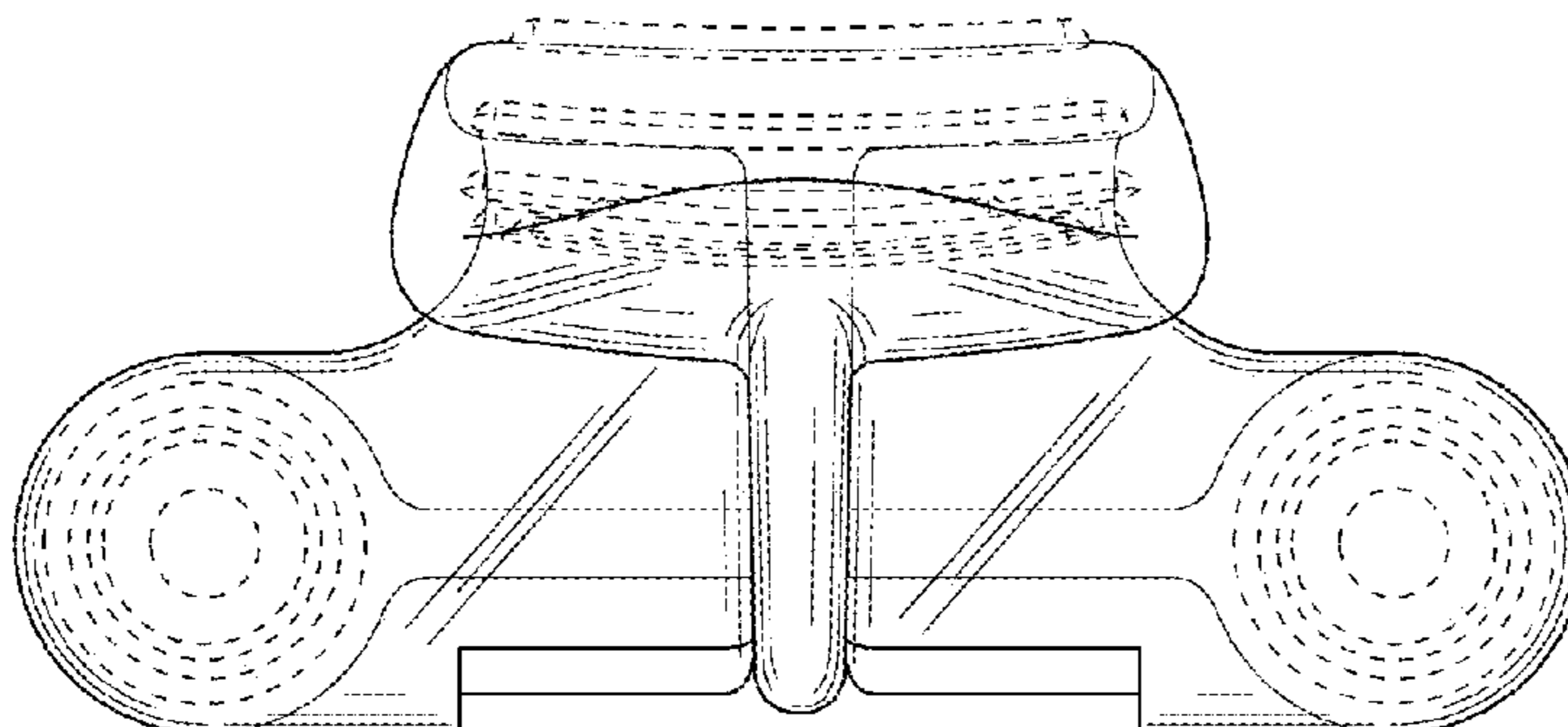


FIG. 8

