



US00D739930S

(12) **United States Design Patent**
Takenouchi et al.

(10) **Patent No.:** **US D739,930 S**
(45) **Date of Patent:** **** Sep. 29, 2015**

(54) **ELECTRONIC NASAL ASPIRATOR**

(74) *Attorney, Agent, or Firm* — Saliwanchik, Lloyd & Eisenschenk

(75) Inventors: **Harumi Takenouchi**, Tokyo (JP); **Ayako Yasui**, Kanagawa (JP)

(73) Assignee: **SEASTAR CORPORATION**, Tokyo (JP)

(57) **CLAIM**

The ornamental design for an electronic nasal aspirator, as shown and described.

(**) Term: **14 Years**

DESCRIPTION

(21) Appl. No.: **29/424,089**

(22) Filed: **Jun. 7, 2012**

(30) **Foreign Application Priority Data**

May 11, 2012 (JP) 2012-010998

(51) **LOC (10) Cl.** **29-02**

(52) **U.S. Cl.**
USPC **D24/111**; 604/118

(58) **Field of Classification Search**
USPC D24/108, 110, 111; D4/101; D9/723,
D9/724, 529, 551; 222/211–221; 604/30,
604/93.01, 94.01, 118–153, 275
See application file for complete search history.

(56) **References Cited**

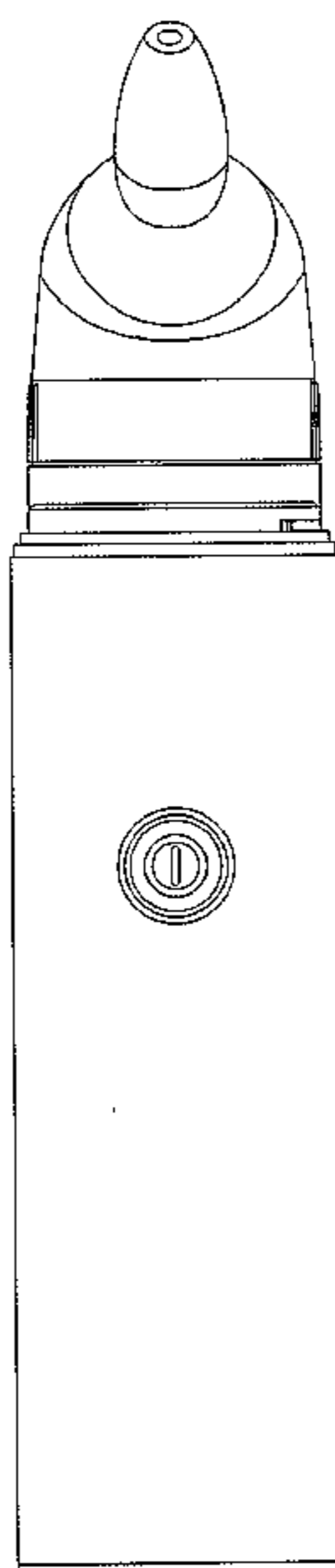
U.S. PATENT DOCUMENTS

4,119,125	A *	10/1978	Elkins	141/11
D304,857	S *	11/1989	Nordin	D24/152
5,514,089	A *	5/1996	Walbrink et al.	604/33
D395,706	S *	6/1998	Minshull	D24/110
D544,957	S *	6/2007	Bloc	D24/110
D594,968	S *	6/2009	Sebban	D24/108
7,959,597	B2 *	6/2011	Baker et al.	604/28
D650,065	S *	12/2011	Berger et al.	D24/110

(Continued)

Primary Examiner — Richard E Chilcot

1 Claim, 11 Drawing Sheets



US D739,930 S

Page 2

(56)

References Cited

U.S. PATENT DOCUMENTS

D678,501 S	*	3/2013	Champe	D24/108	8,801,667 B2 *	8/2014	Taylor et al.	604/151
D694,398 S	*	11/2013	Taylor et al.	D24/108	8,827,945 B2 *	9/2014	Baker et al.	604/35
D701,599 S	*	3/2014	Bengochea et al.	D24/110	8,888,752 B2 *	11/2014	Cacka et al.	604/278
						2011/0144588 A1 *	6/2011	Taylor et al.	604/151
						2011/0184341 A1 *	7/2011	Baker et al.	604/30

* cited by examiner

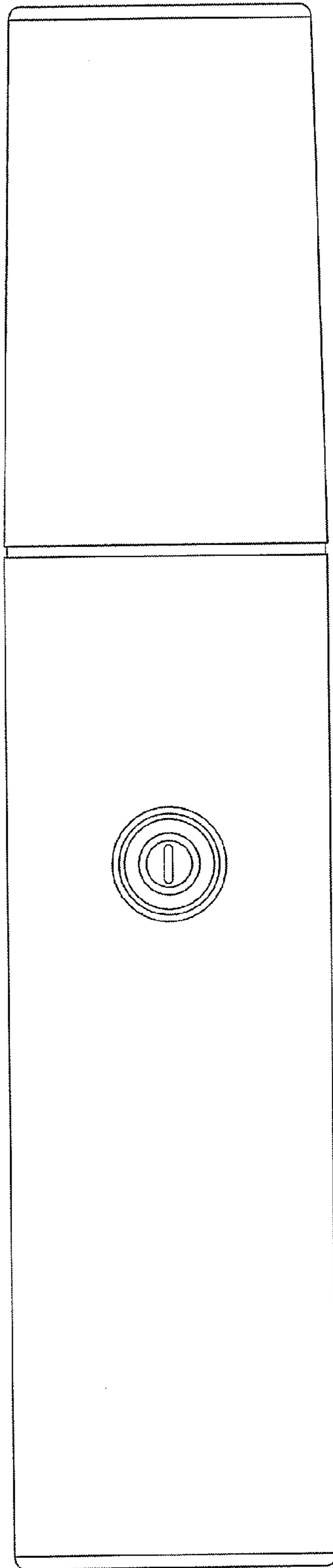
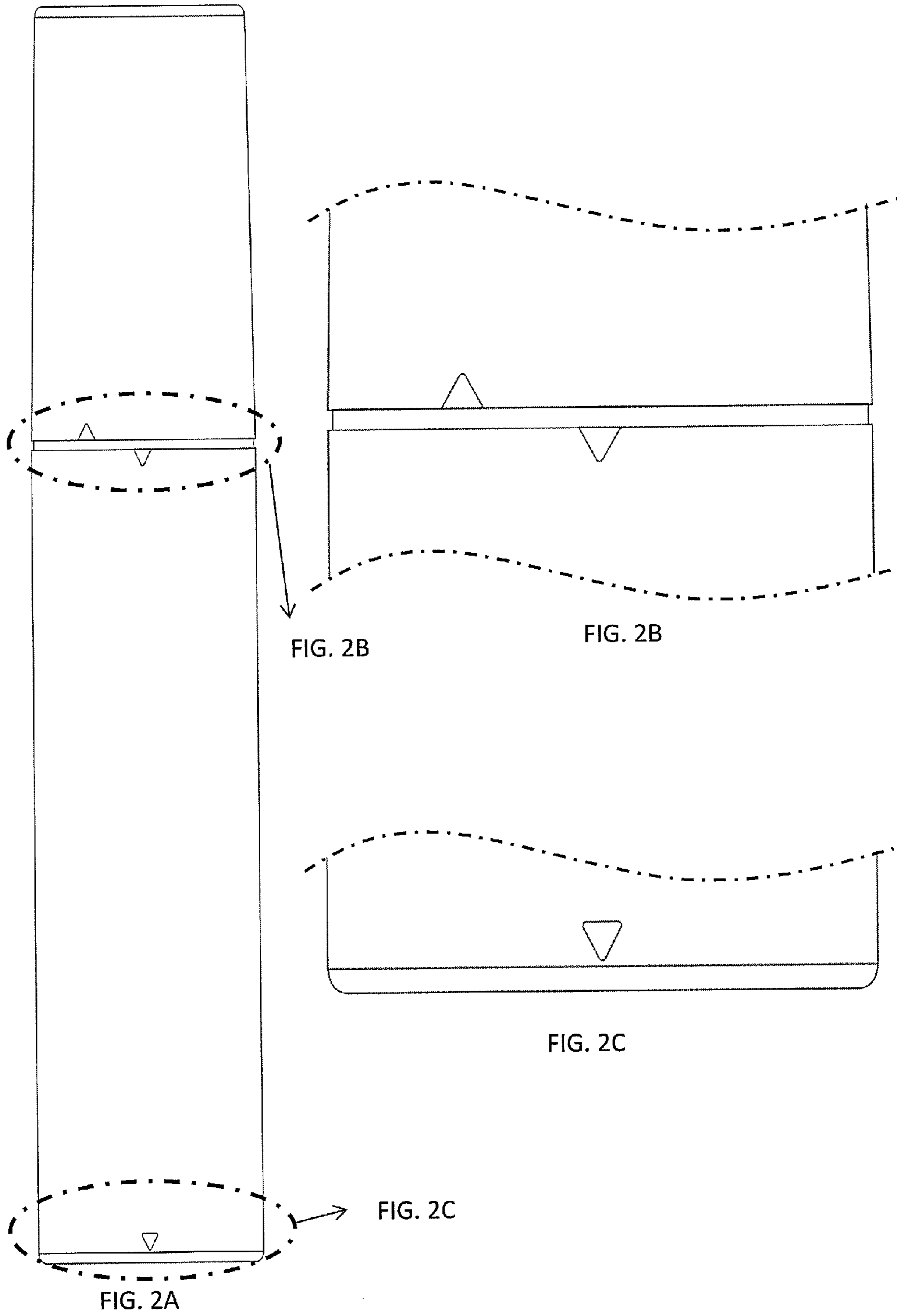


FIG. 1



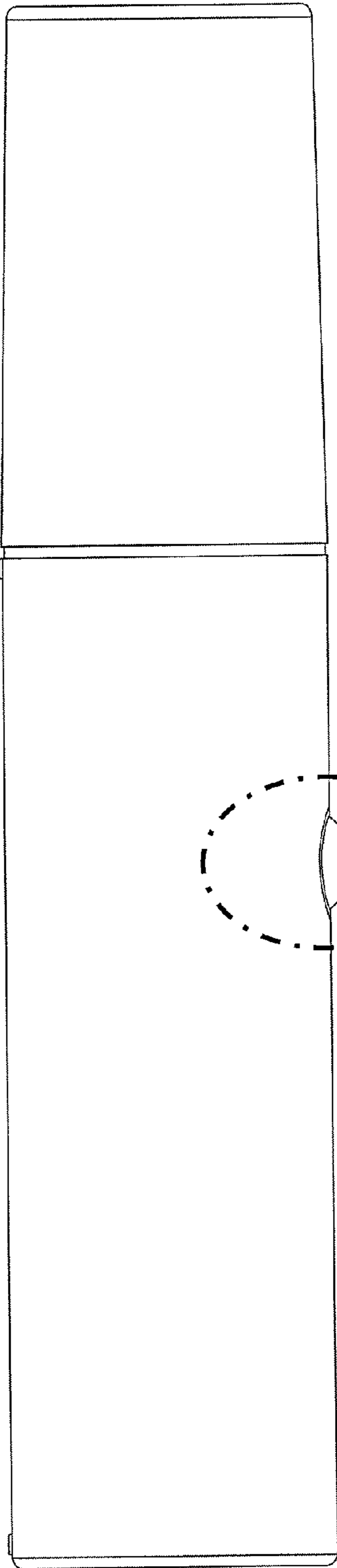


FIG. 3A

FIG. 3B

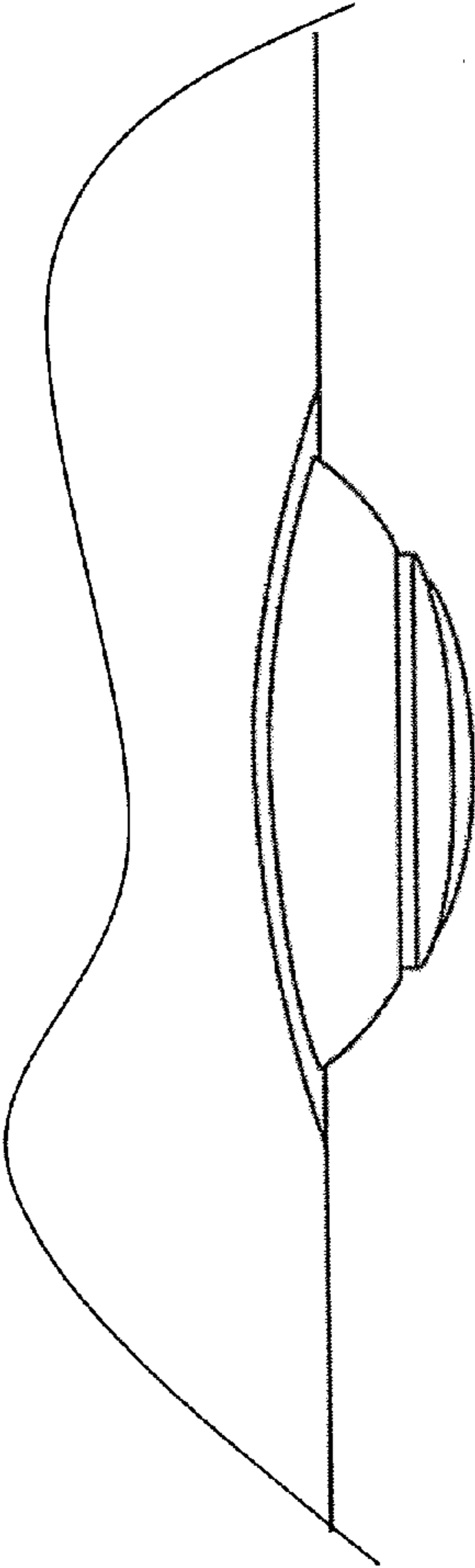


FIG. 3B

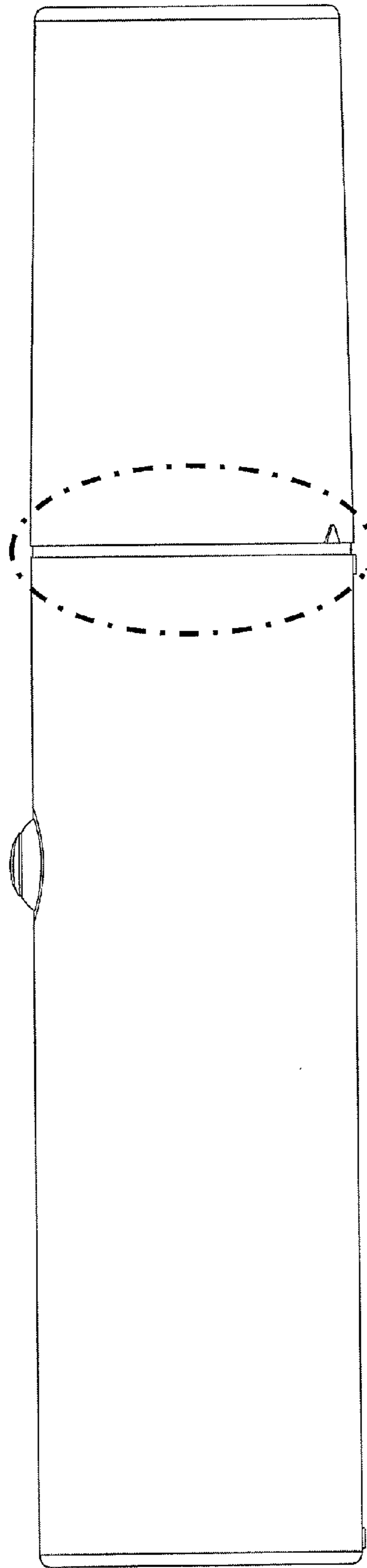


FIG. 4A

FIG. 4B

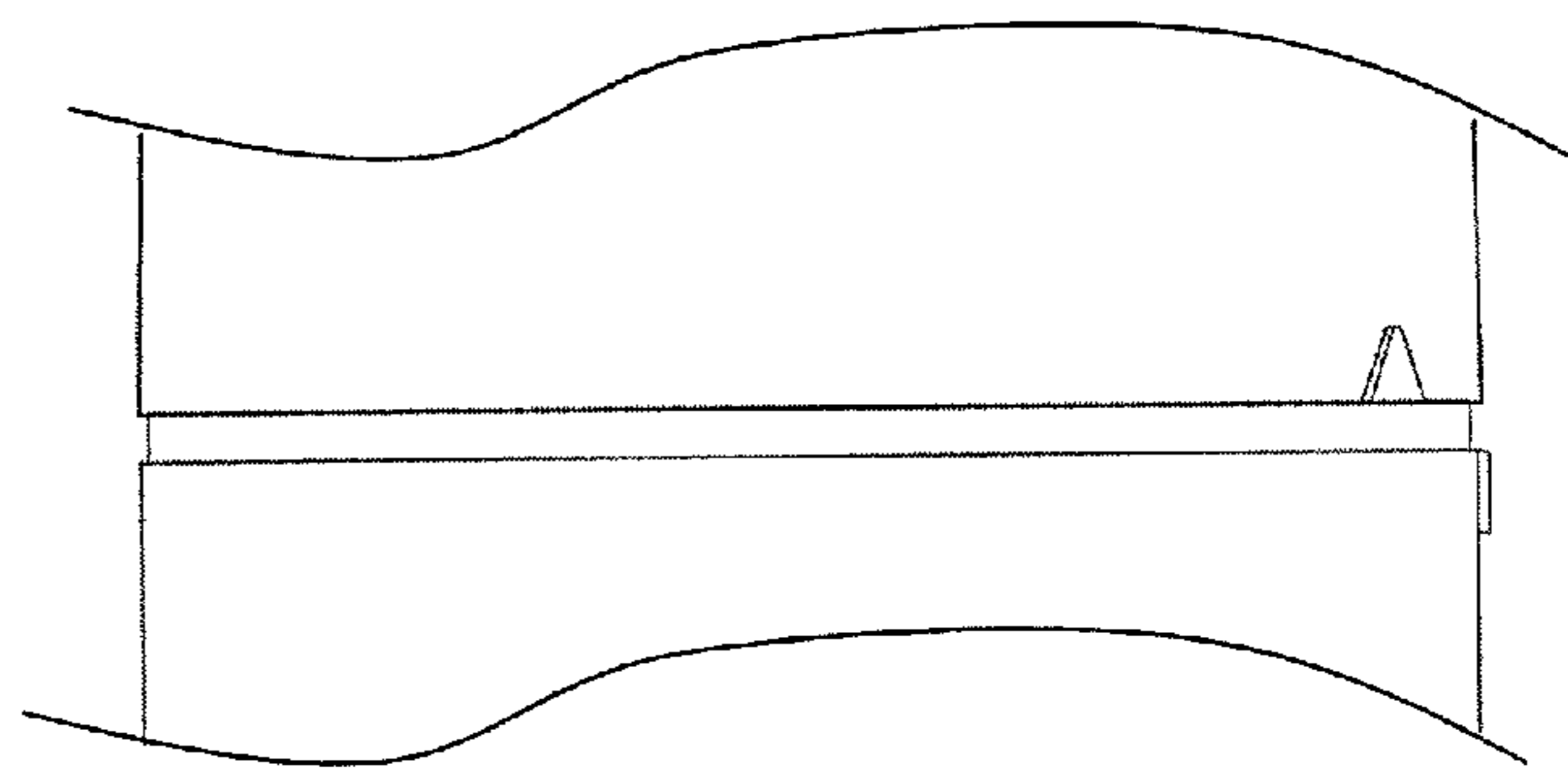


FIG. 4B

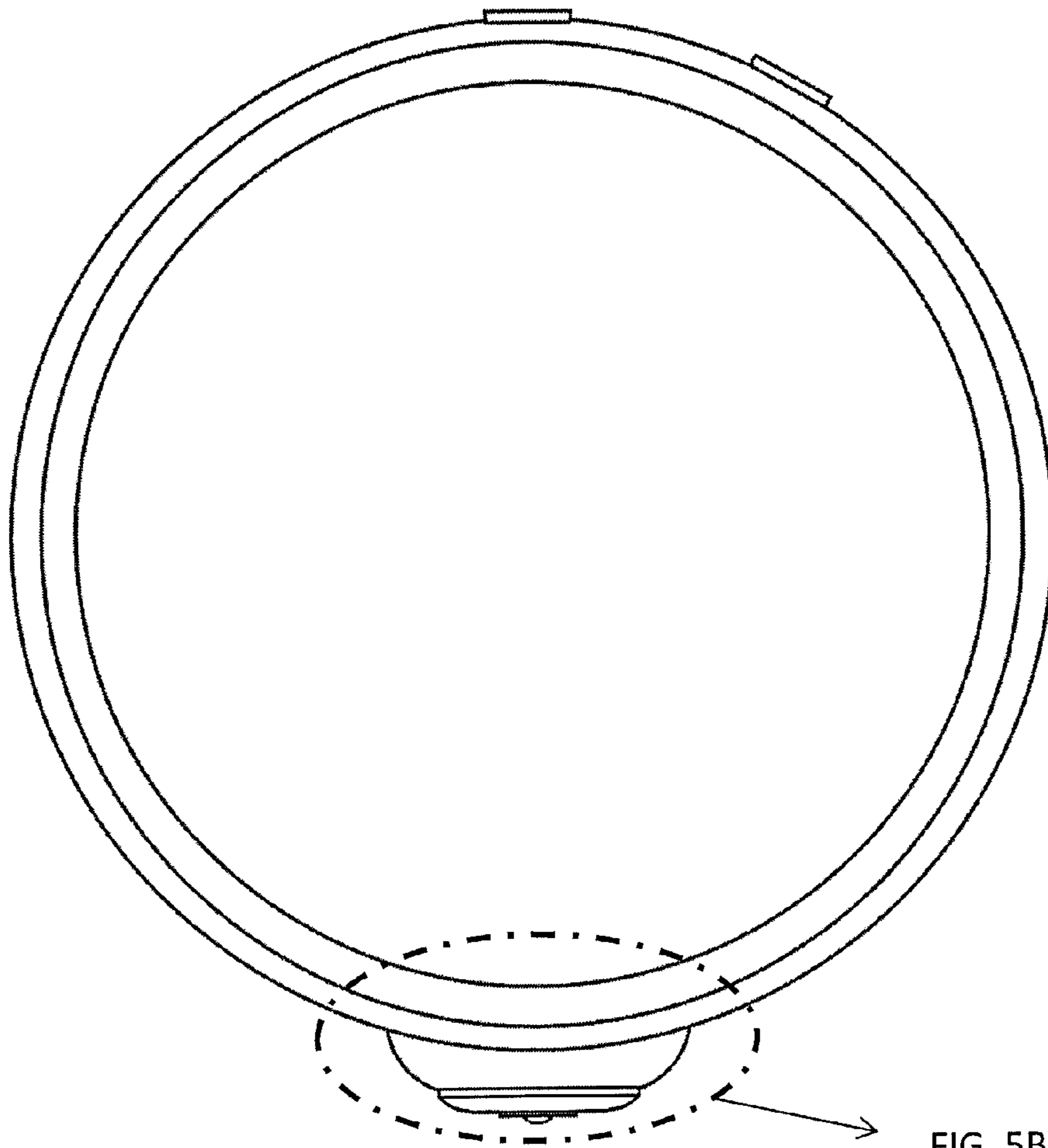


FIG. 5A

FIG. 5B

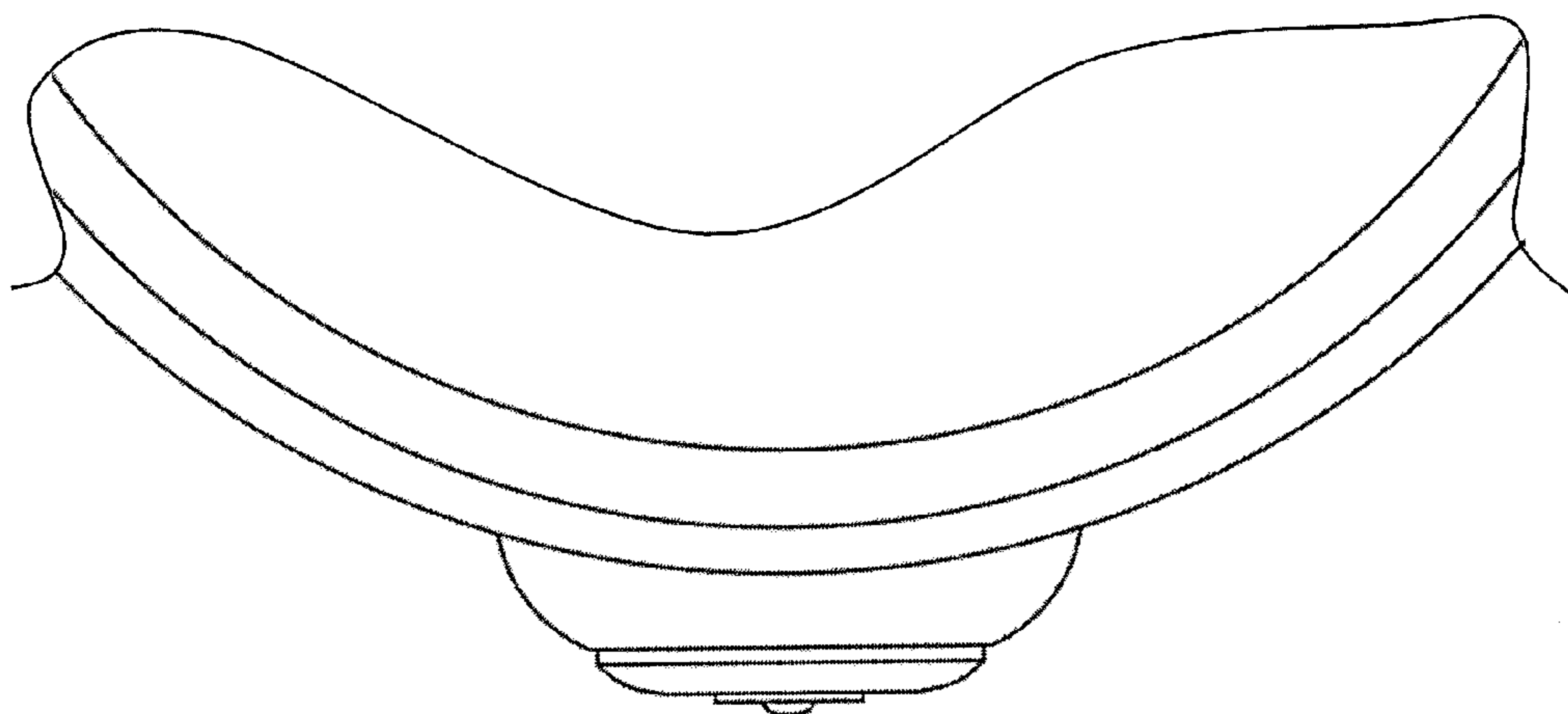
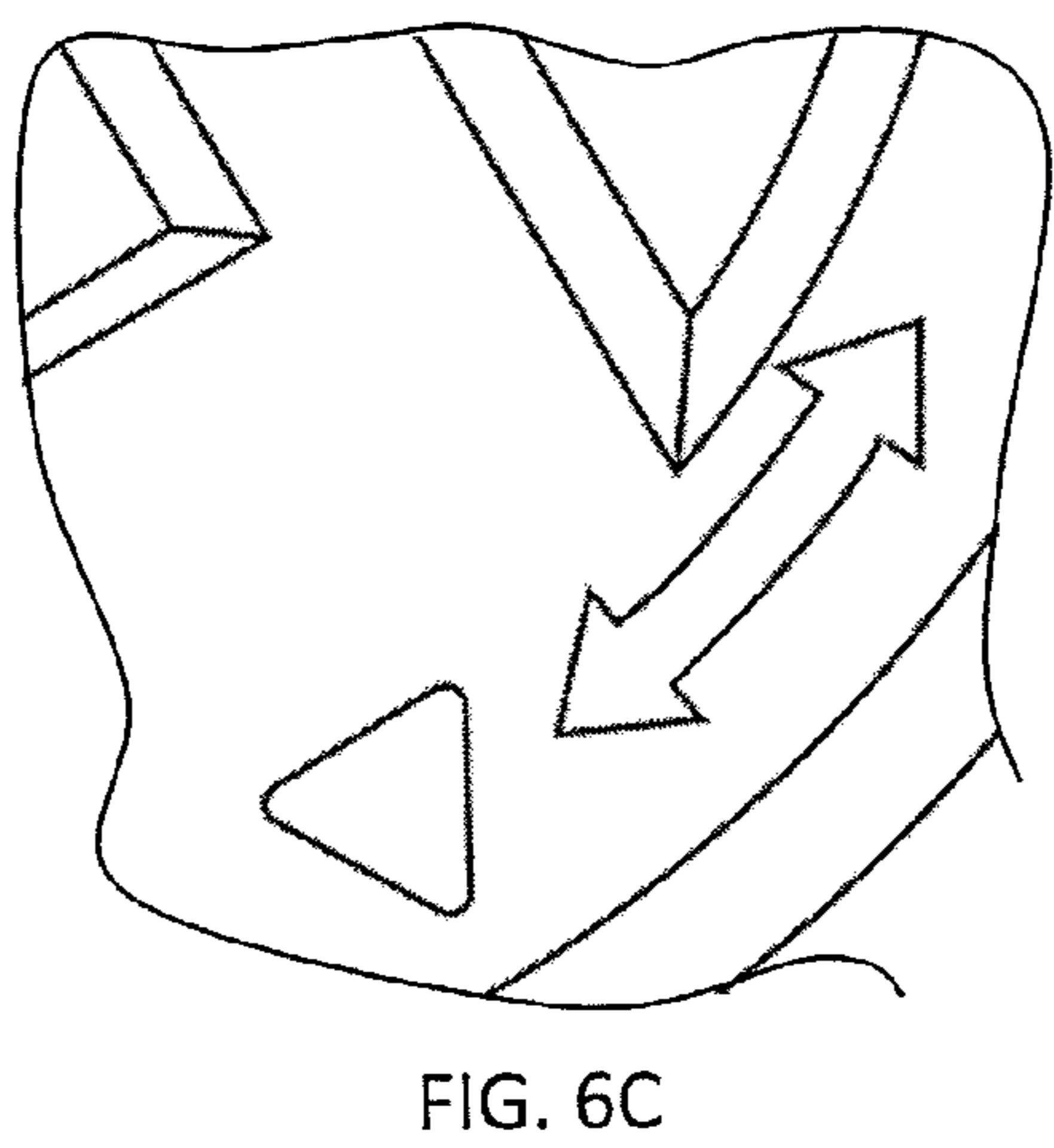
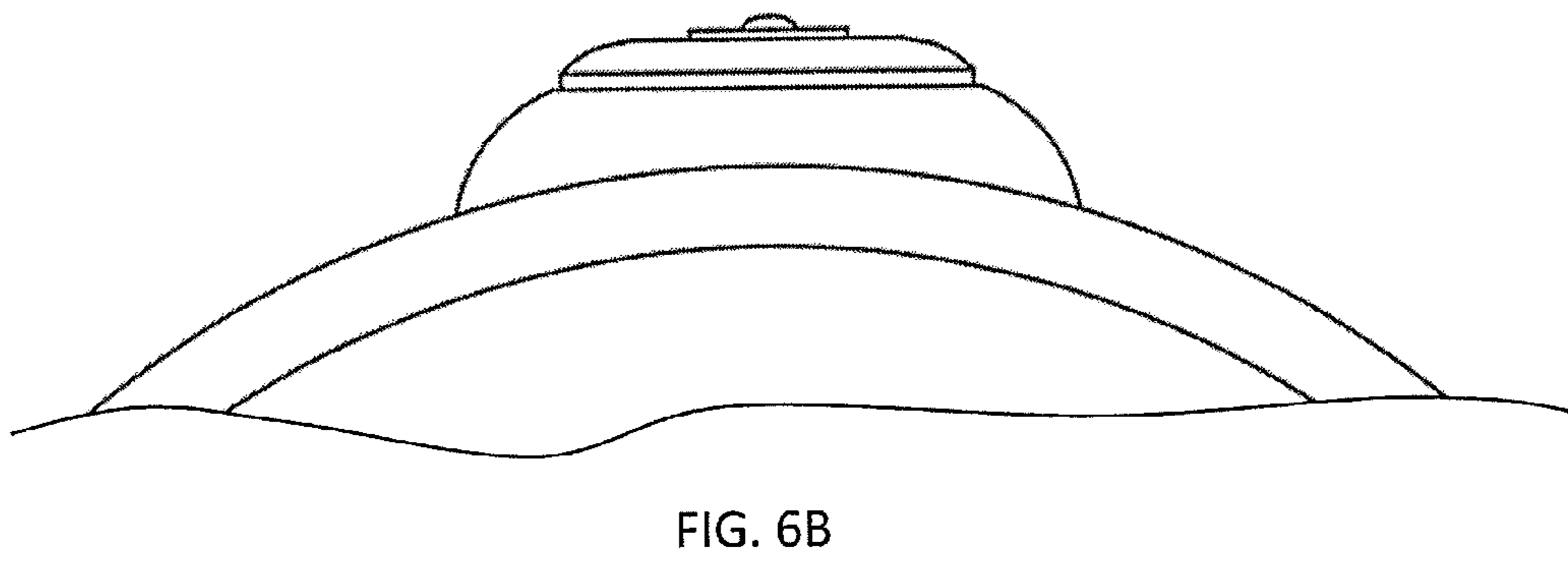
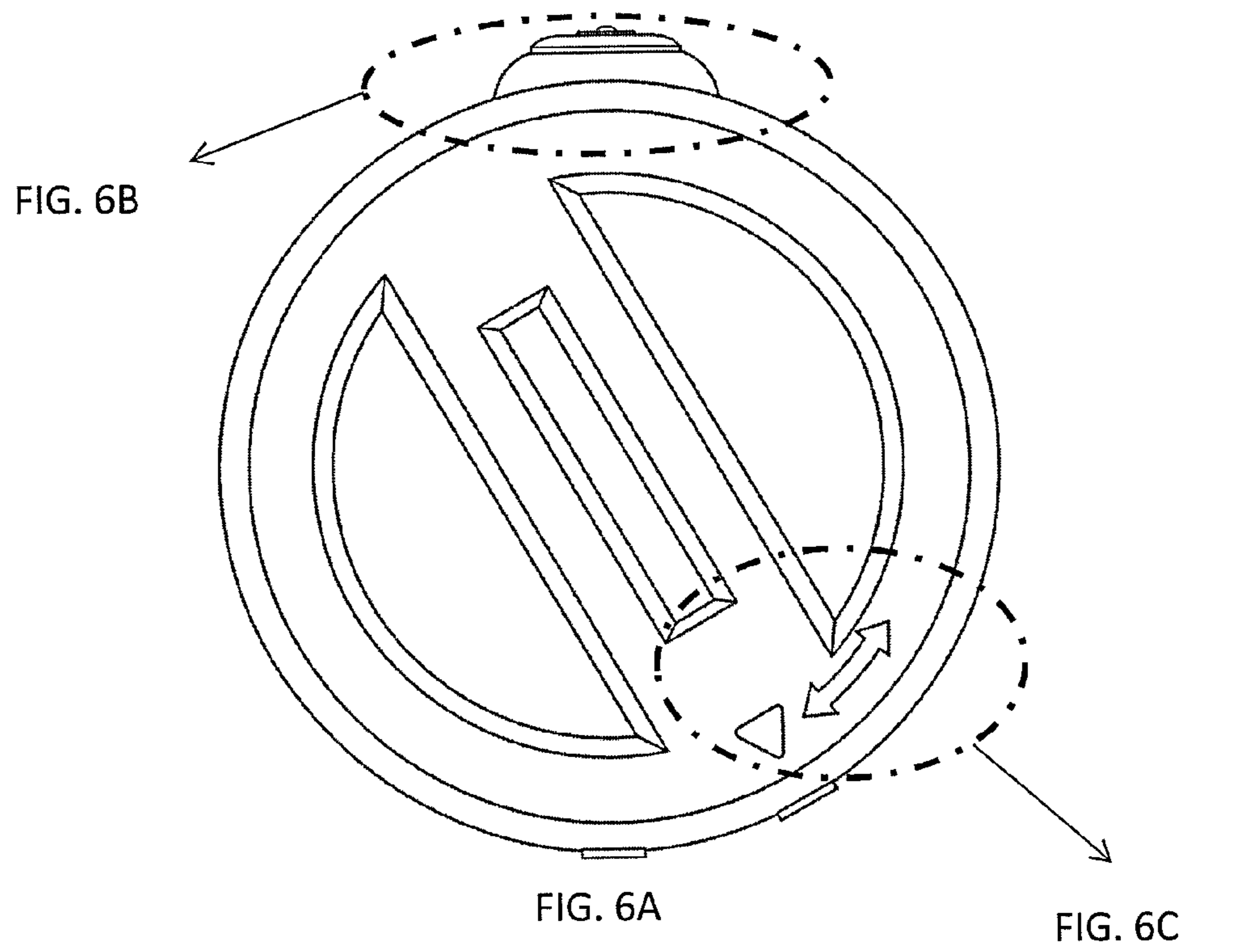


FIG. 5B



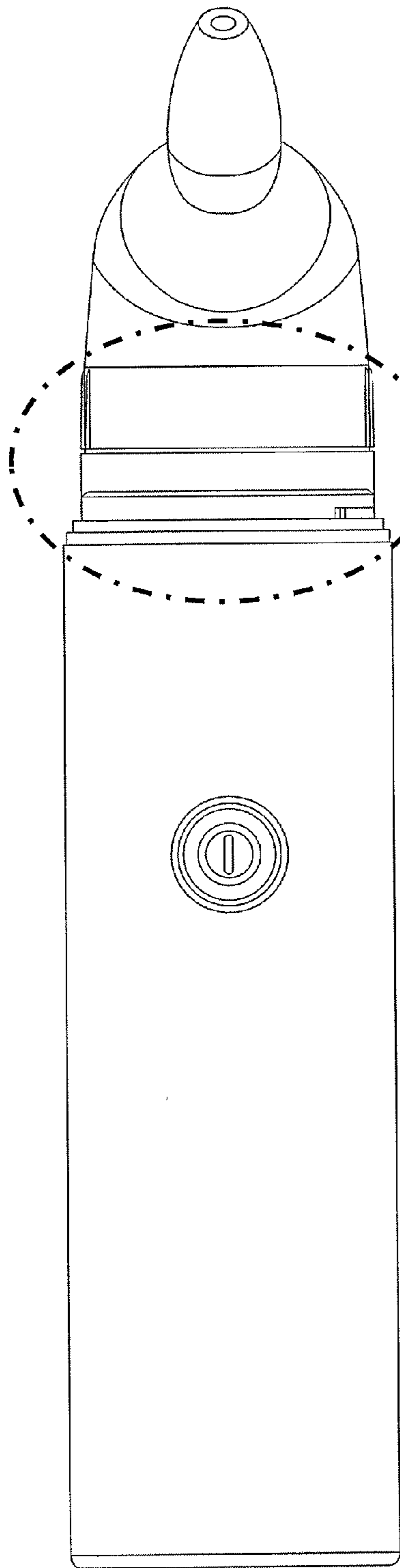


FIG. 7A

FIG. 7B

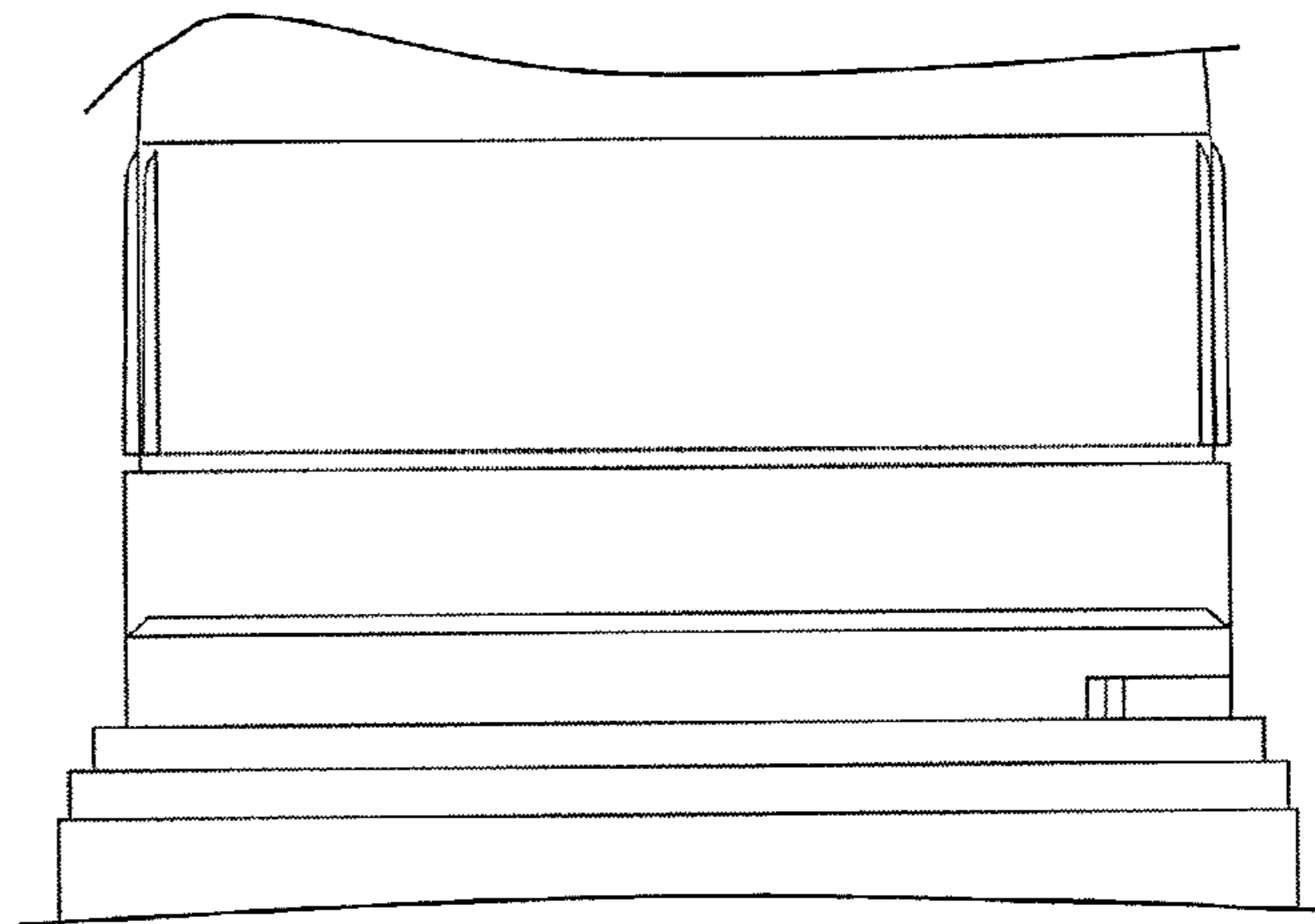


FIG. 7B

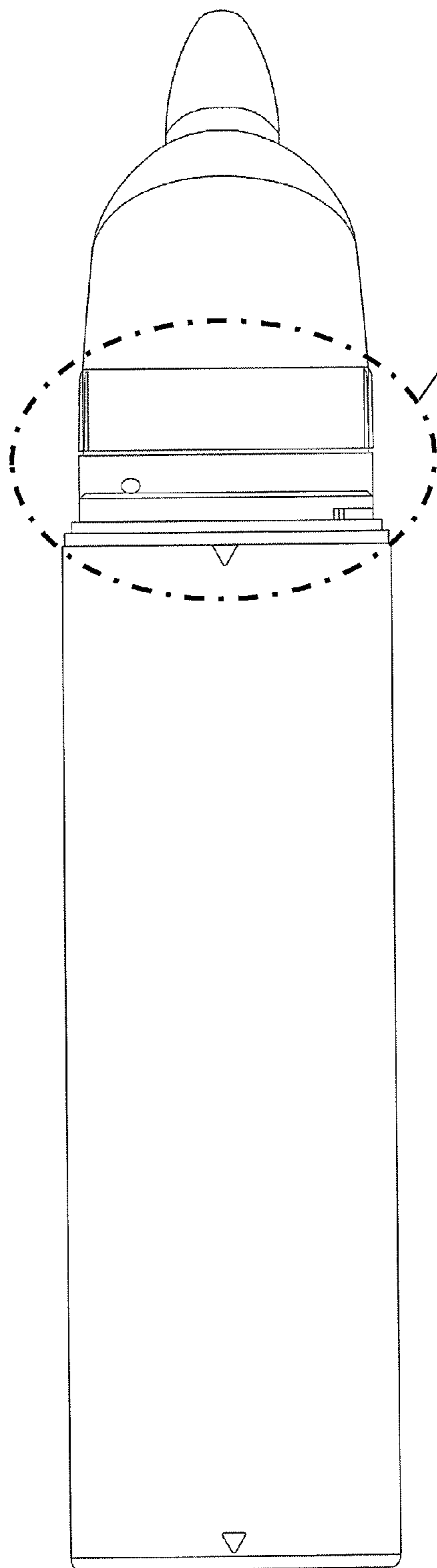


FIG. 8A

FIG. 8B

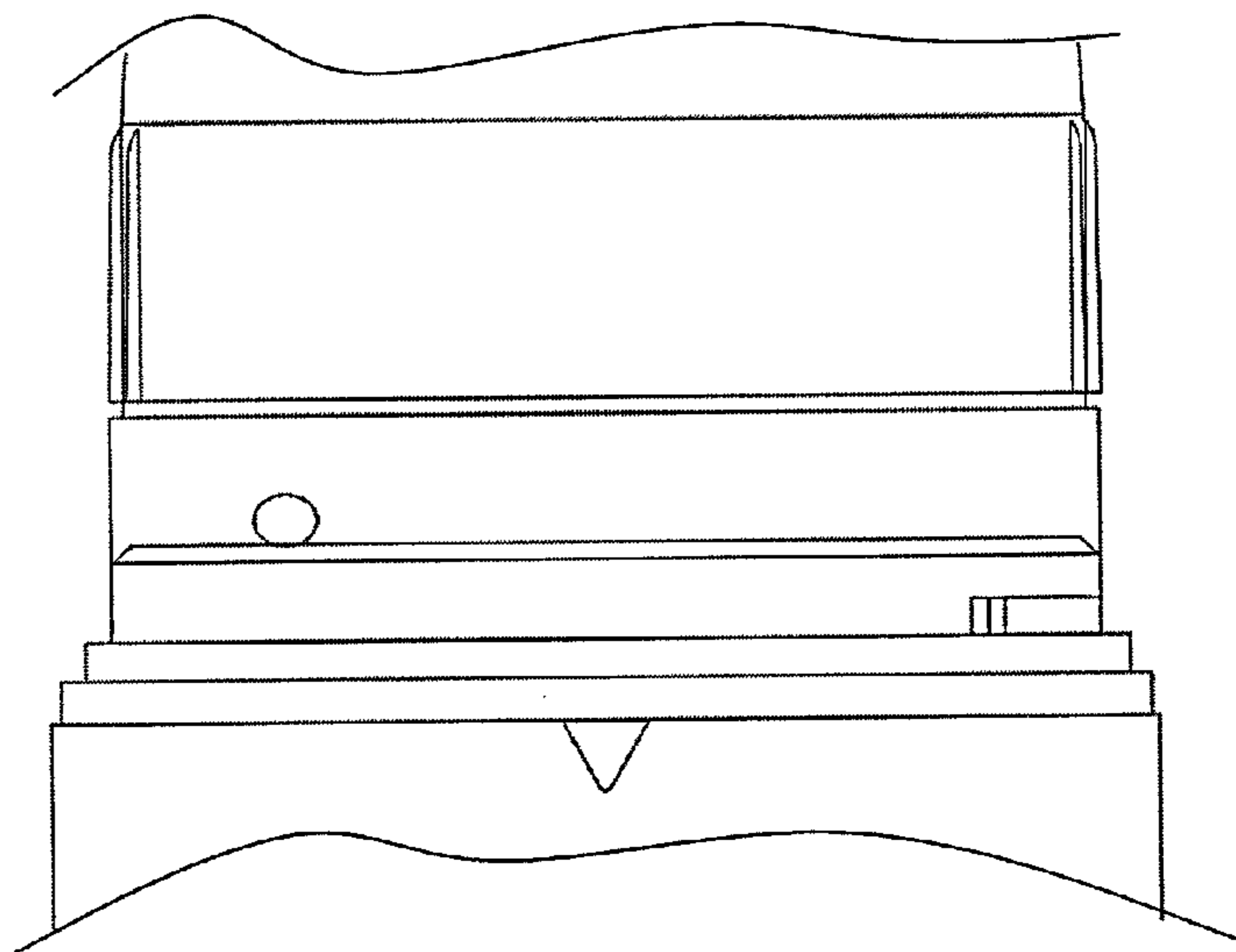


FIG. 8B

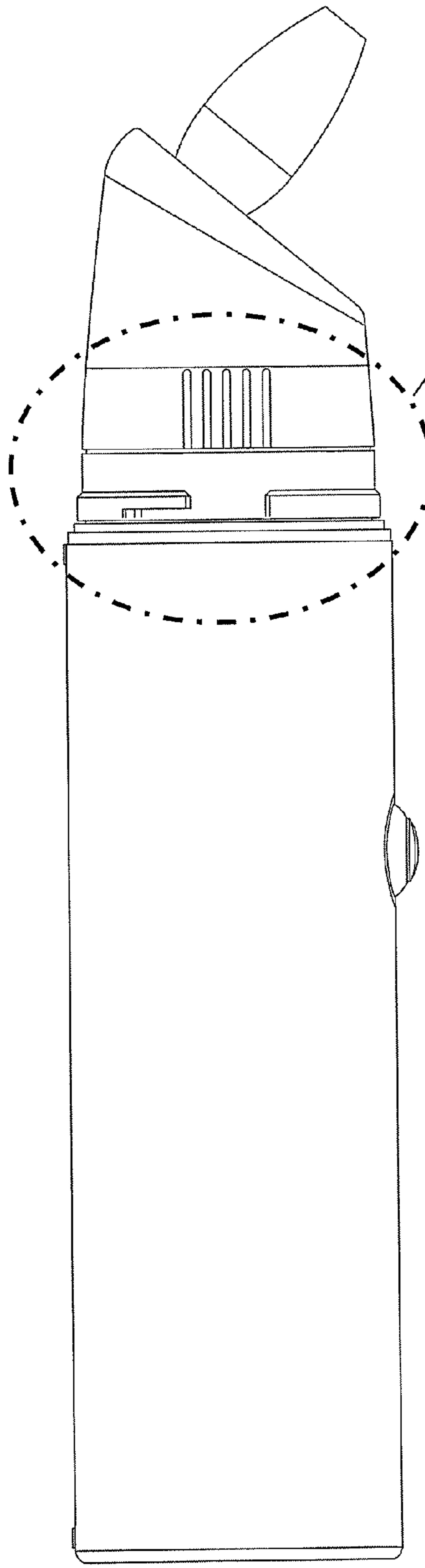


FIG. 9A

FIG. 9B

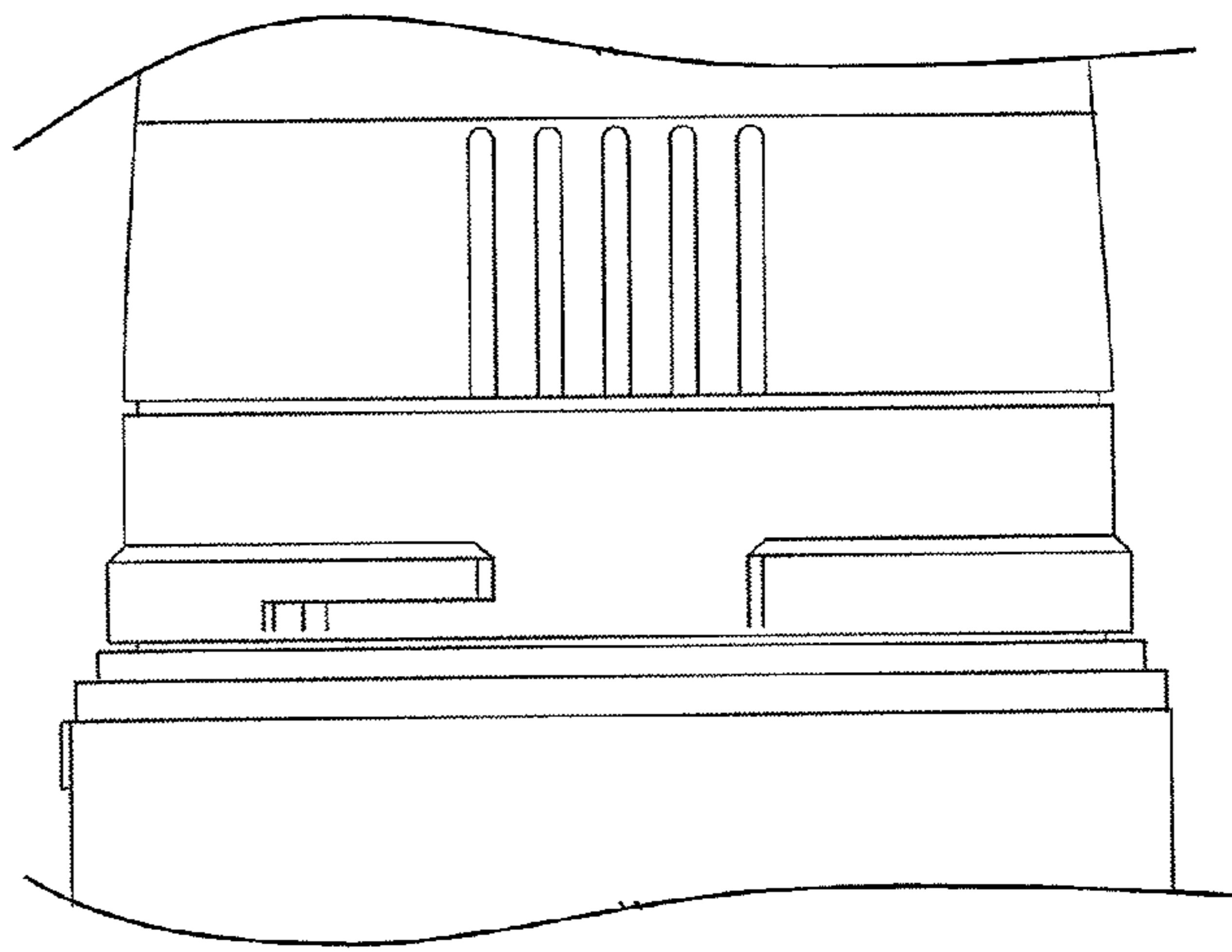


FIG. 9B

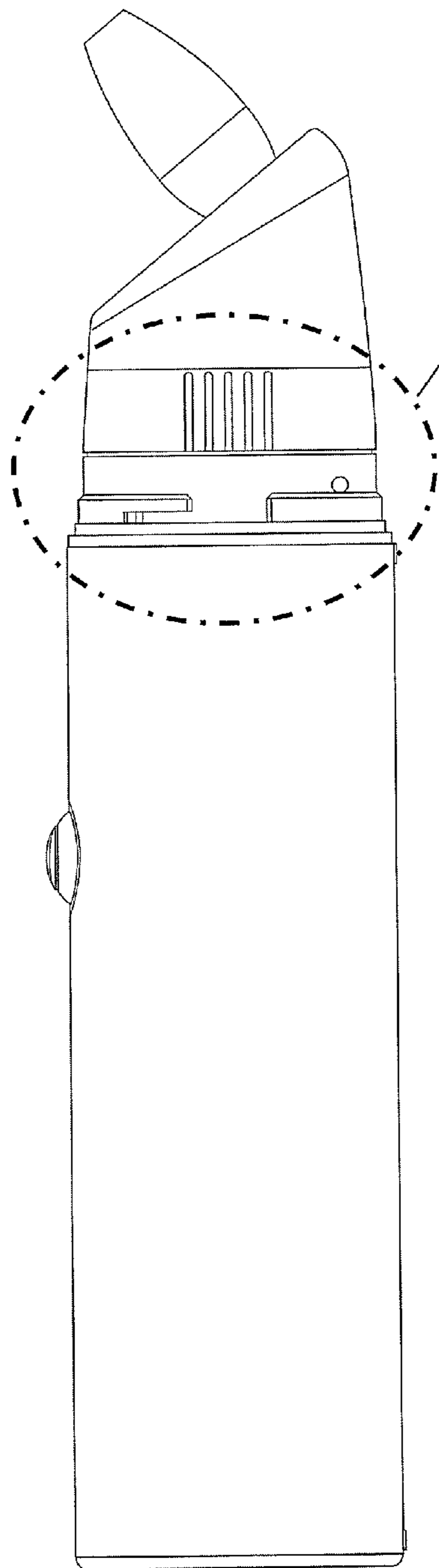


FIG. 10A

FIG. 10B

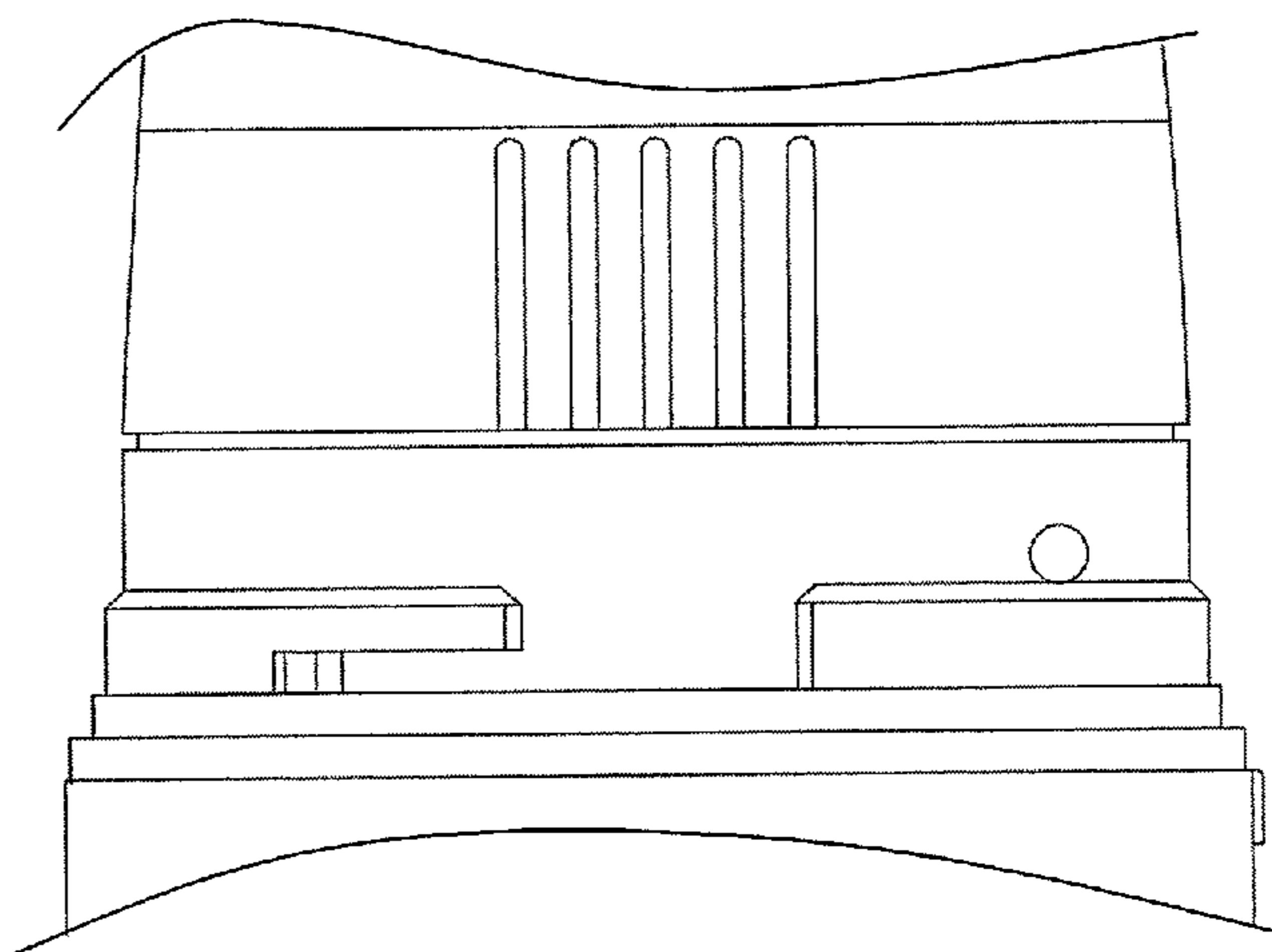


FIG. 10B

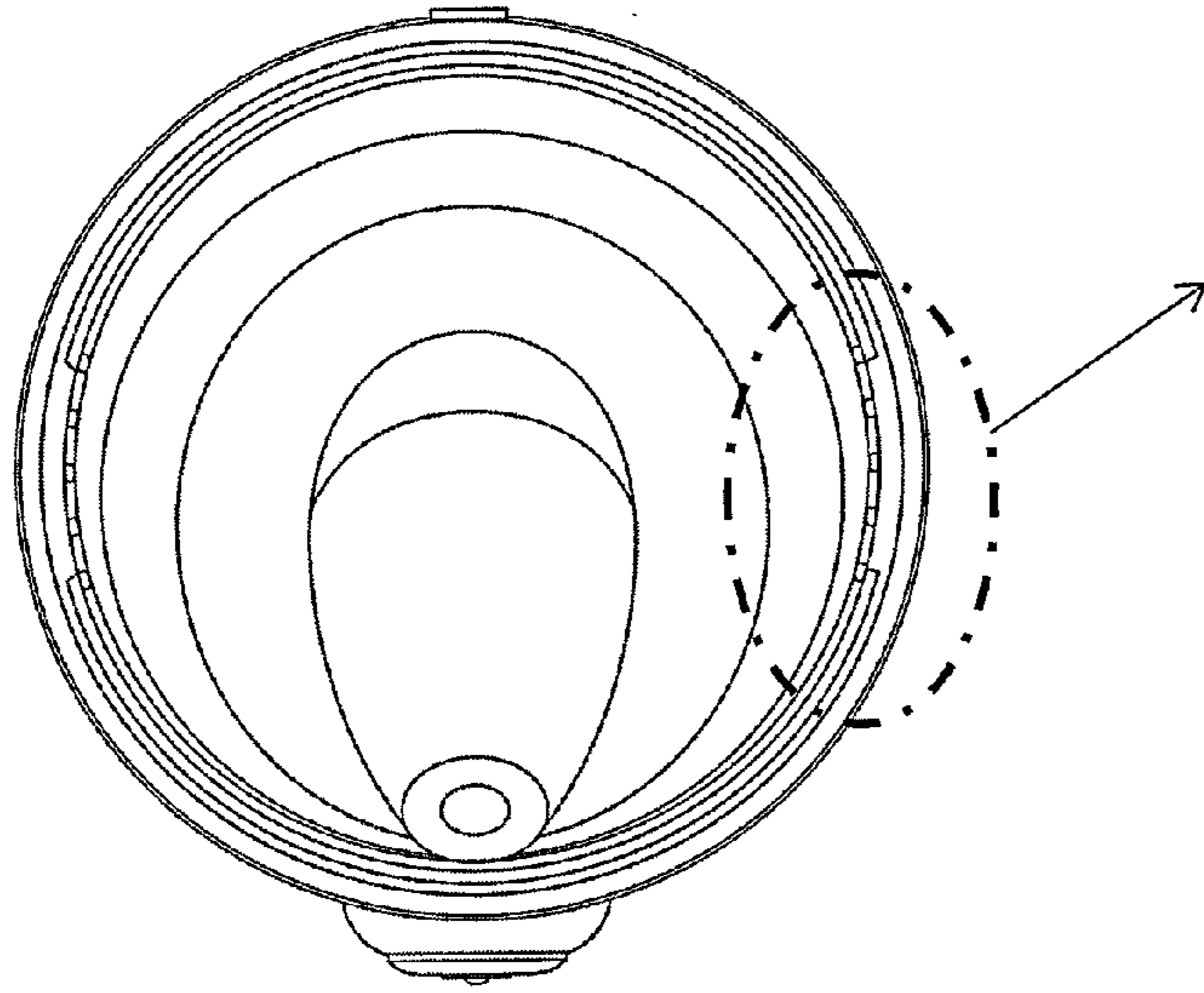


FIG. 11A

FIG. 11B

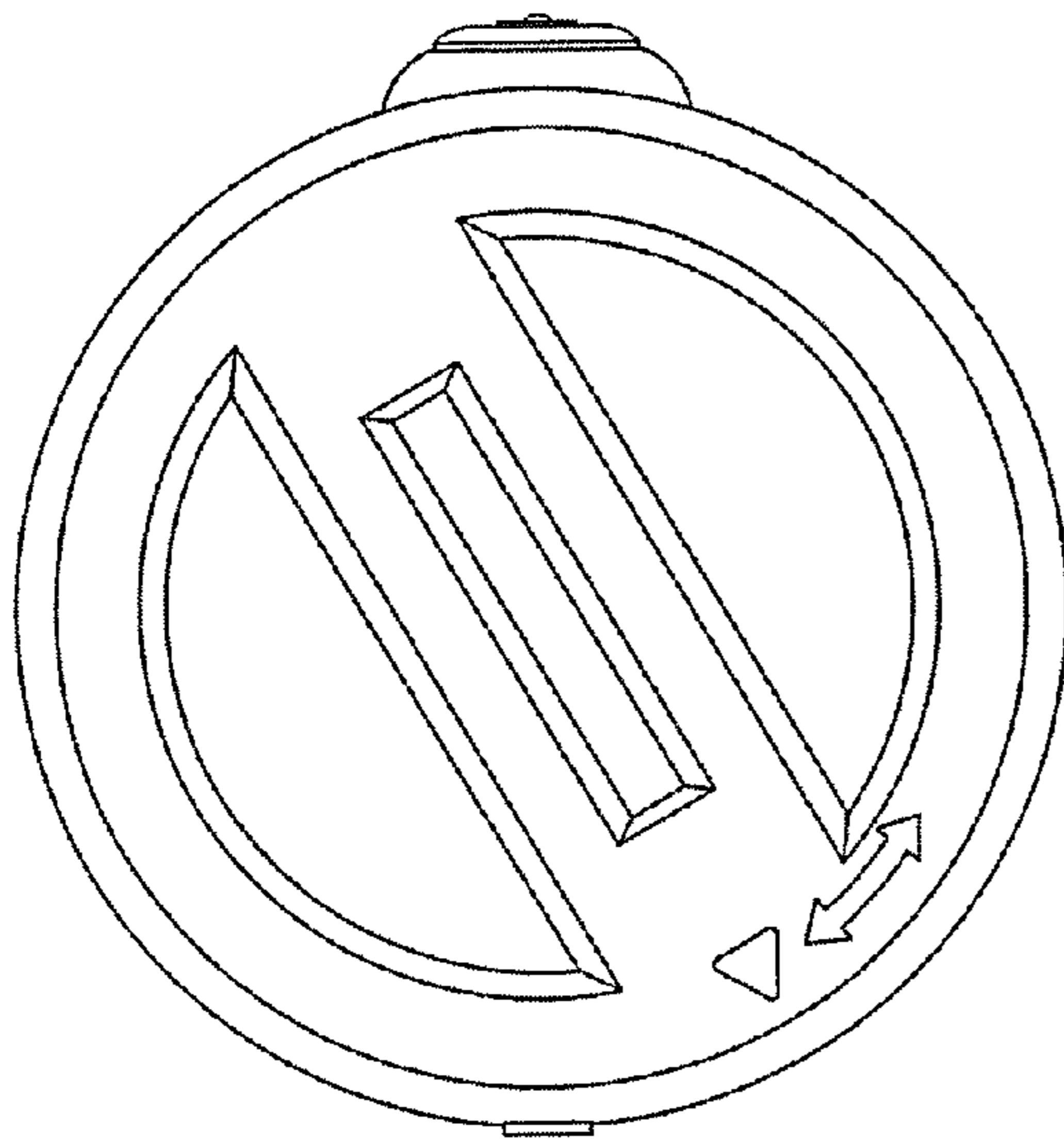


FIG. 12

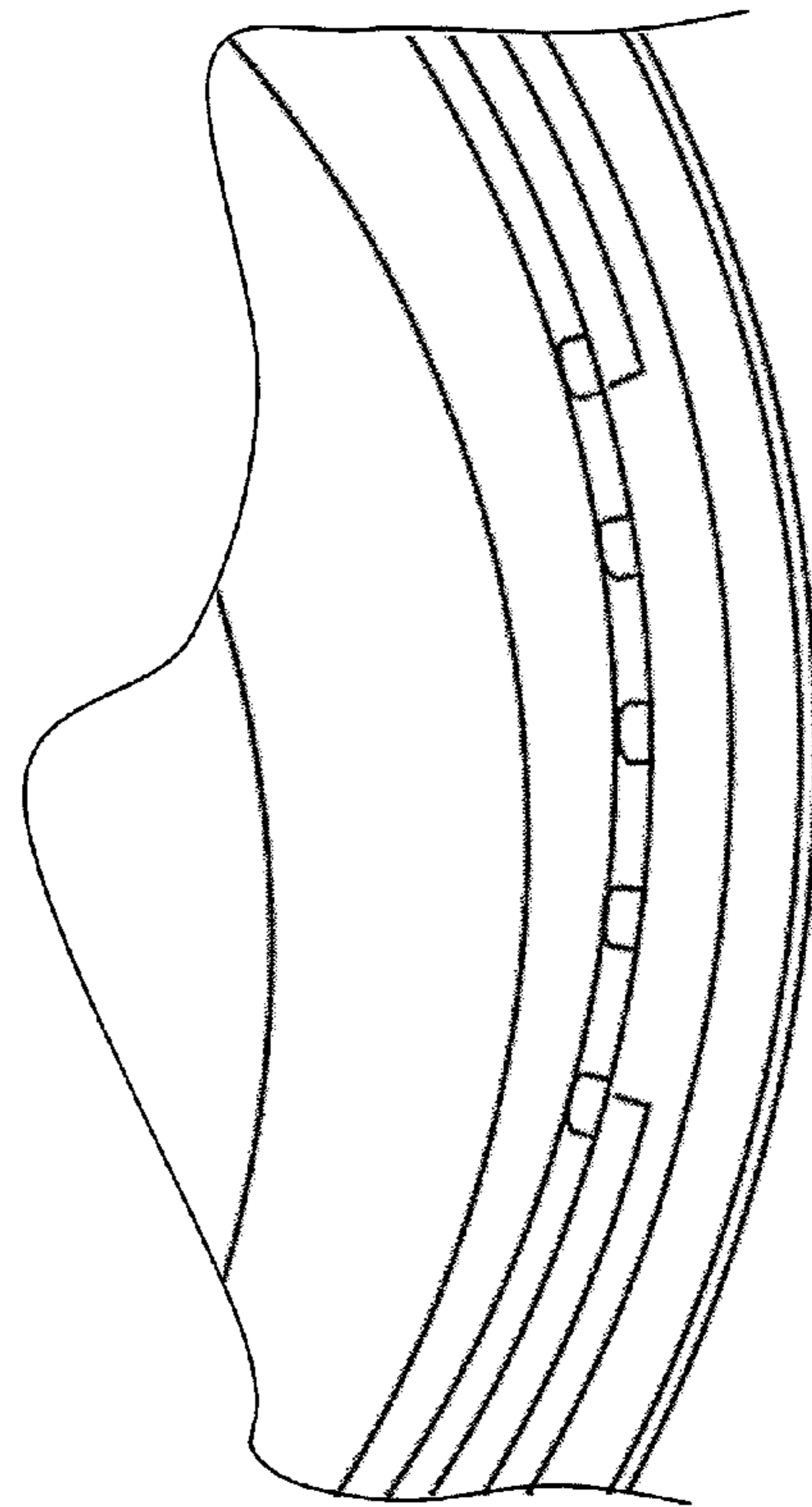


FIG. 11B