

US00D739929S

(12) **United States Design Patent**  
**Schlegel et al.**

(10) **Patent No.:** **US D739,929 S**  
(45) **Date of Patent:** **\*\* Sep. 29, 2015**

(54) **DEVICE FOR ENCLOSING A FRESHENING PACKET**

(71) Applicants: **Reid Andersen Schlegel**, Brooklyn, NY (US); **Heidi Serene Farrell**, Brooklyn, NY (US)

(72) Inventors: **Reid Andersen Schlegel**, Brooklyn, NY (US); **Heidi Serene Farrell**, Brooklyn, NY (US)

(73) Assignee: **HELEN OF TROY LIMITED**, St. Michael (BB)

(\*\*) Term: **14 Years**

(21) Appl. No.: **29/512,674**

(22) Filed: **Dec. 22, 2014**

(51) **LOC (10) Cl.** ..... **06-01**

(52) **U.S. Cl.**  
USPC ..... **D23/366**

(58) **Field of Classification Search**  
USPC ..... D23/355–369; D28/5, 6; 261/DIG. 17, 261/DIG. 42, DIG. 47, DIG. 55, DIG. 65, 261/DIG. 70, DIG. 88, DIG. 89; 392/386, 392/390, 392, 394, 395; 239/34, 44, 53, 56, 239/60, 146, 326  
CPC ..... A61L 9/00; A61L 9/02; A61L 9/03; A61L 9/04; A61L 9/12; A61L 9/22; A61L 9/127; A61L 9/032; A61L 9/035; A61L 9/037  
See application file for complete search history.

(56) **References Cited**

**U.S. PATENT DOCUMENTS**

1,737,532	A *	11/1929	Allen	.....	96/152
3,807,082	A *	4/1974	Hautmann et al.	.....	43/125
D262,138	S *	12/1981	Bousgarbies et al.	.....	D23/366
D288,003	S *	1/1987	Hoyt	.....	D23/366
5,478,505	A *	12/1995	McElfresh et al.	.....	261/30
5,522,008	A *	5/1996	Bernard	.....	392/392
D384,408	S *	9/1997	Foreman	.....	D23/368

D385,025	S *	10/1997	Ho	.....	D23/367
6,197,263	B1 *	3/2001	Blount	.....	422/125
6,386,971	B1 *	5/2002	Johnson	.....	454/328
D508,559	S *	8/2005	Spiegel et al.	.....	D23/366
D512,493	S *	12/2005	Haranaka	.....	D23/355
D512,494	S *	12/2005	Haranaka	.....	D23/355
D513,070	S *	12/2005	Haranaka	.....	D23/355
D539,883	S *	4/2007	Lee et al.	.....	D23/351
D619,236	S *	7/2010	Schlag et al.	.....	D23/351
7,770,817	B2 *	8/2010	Macor	.....	239/34
D628,266	S *	11/2010	Dittmann et al.	.....	D23/209
D628,267	S *	11/2010	Dittmann et al.	.....	D23/209
D628,673	S *	12/2010	Dittmann et al.	.....	D23/209
D628,674	S *	12/2010	Dittmann et al.	.....	D23/209
D646,769	S *	10/2011	Angel et al.	.....	D23/366
D649,236	S *	11/2011	Bilko et al.	.....	D23/366
D654,160	S *	2/2012	Yomtov	.....	D23/360
D656,230	S *	3/2012	Robinson et al.	.....	D23/363
D657,857	S *	4/2012	Choi	.....	D23/364
D664,636	S *	7/2012	Robinson et al.	.....	D23/360

(Continued)

*Primary Examiner* — Sandra Snapp

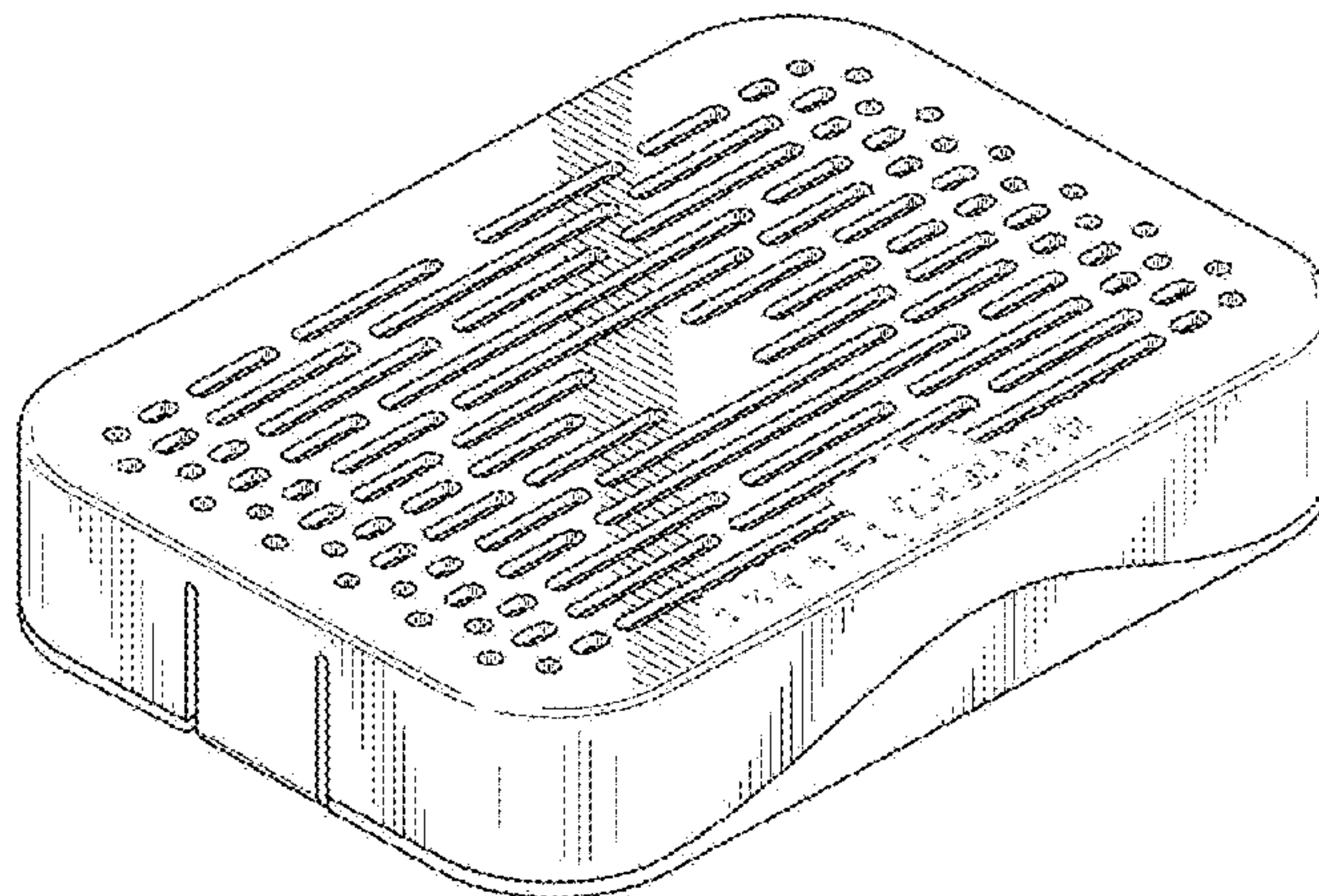
(57) **CLAIM**

The ornamental design for a device for enclosing a freshening packet, as shown, and described.

**DESCRIPTION**

FIG. 1 is a perspective view of the device for enclosing a freshening packet;  
FIG. 2 is a top plan view of the device for enclosing a freshening packet;  
FIG. 3 is a bottom plan view of the device for enclosing a freshening packet;  
FIG. 4 is a left side view of the device for enclosing a freshening packet;  
FIG. 5 is a right side view of the device for enclosing a freshening packet; and,  
FIG. 6 is a front view of the device for enclosing a freshening packet.  
The broken lines are for illustrative purposes only and form no part of the claimed design.

**1 Claim, 6 Drawing Sheets**



**US D739,929 S**

Page 2

---

(56)

**References Cited**

U.S. PATENT DOCUMENTS

D705,918 S *	5/2014	Robinson et al. ....	D23/360
D708,727 S *	7/2014	Postma .....	D23/360
D716,428 S *	10/2014	Farone et al. ....	D23/364
D677,774 S *	3/2013	Postma .....	D23/360

\* cited by examiner

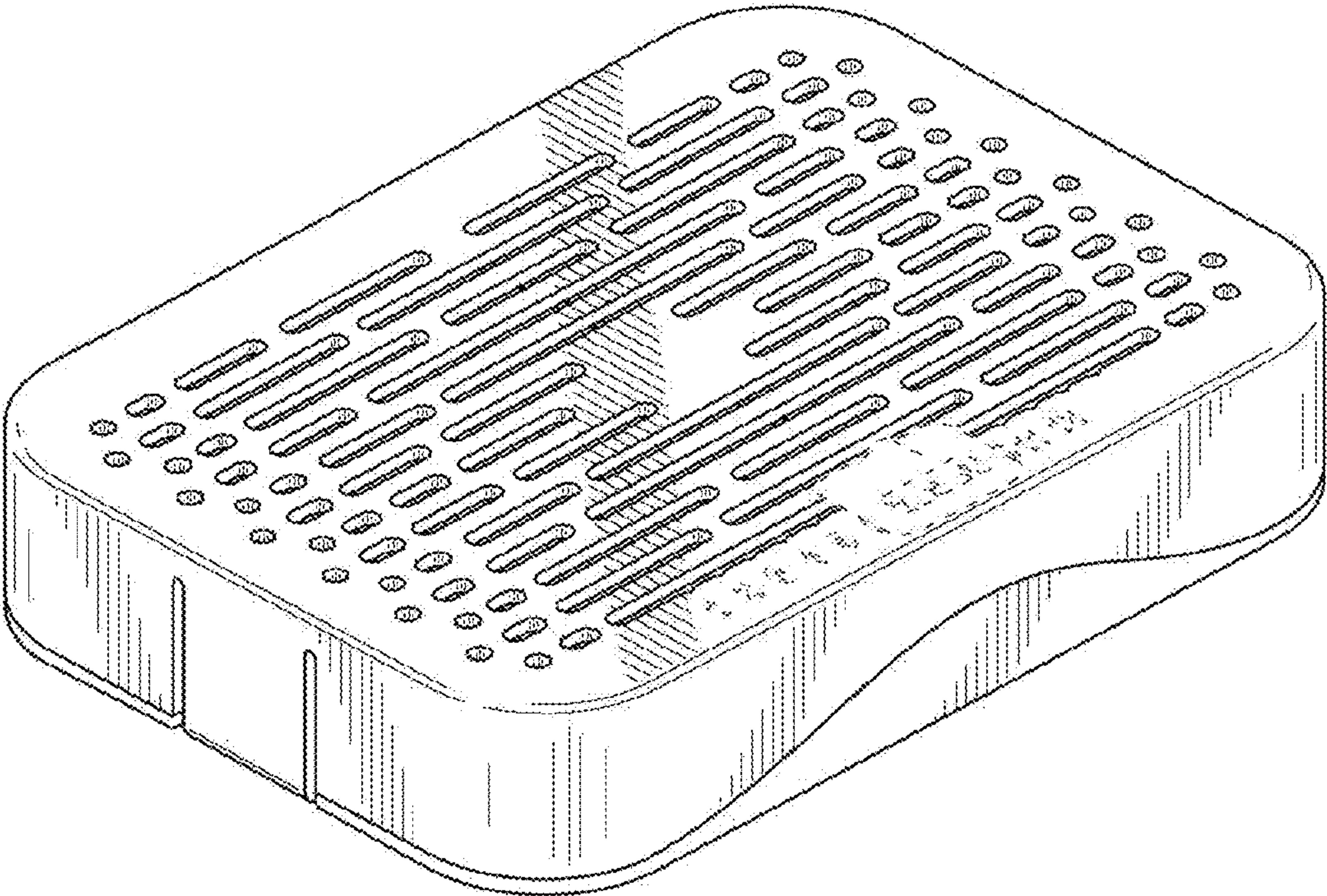


Figure 1



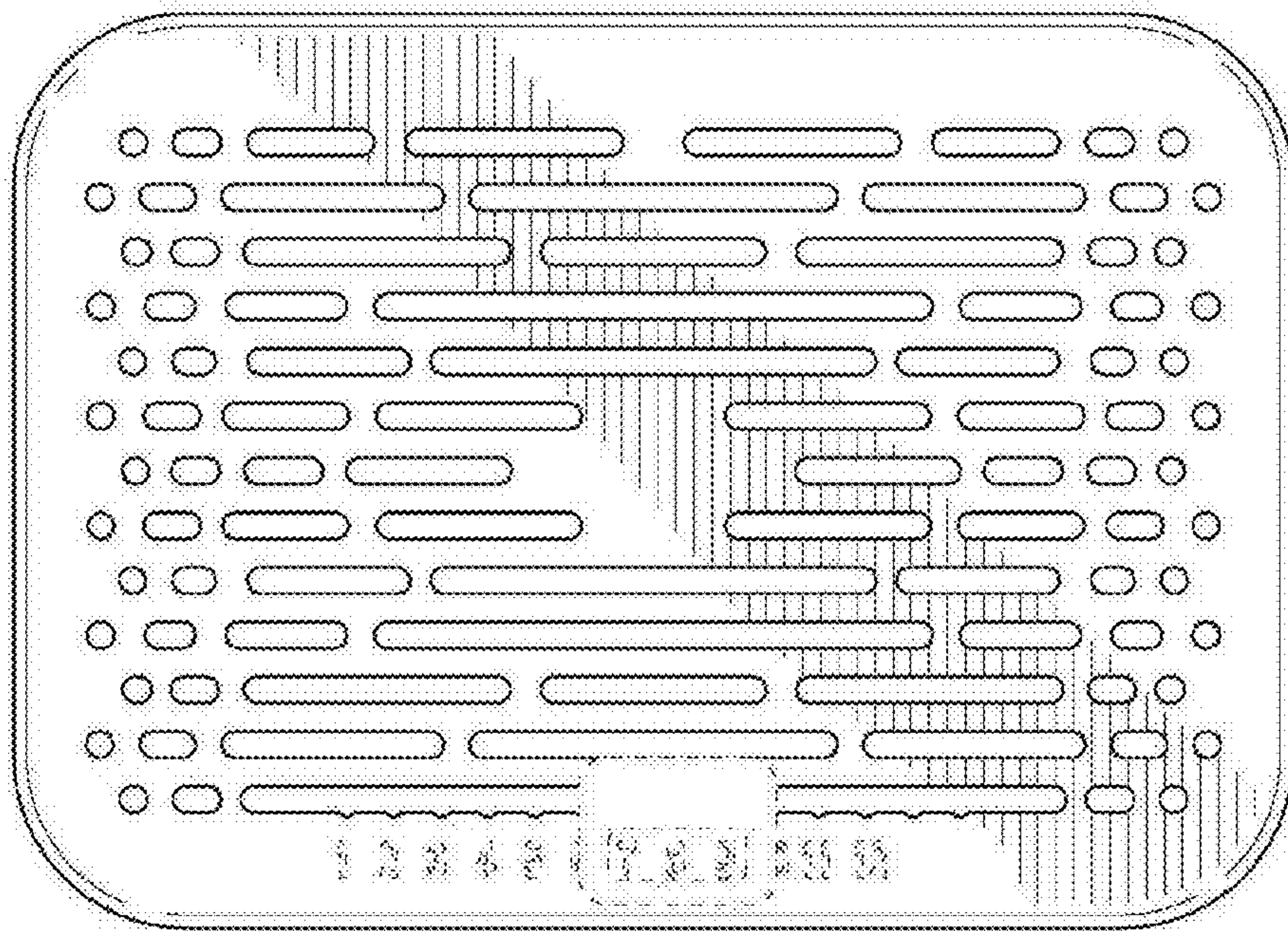


Figure 2

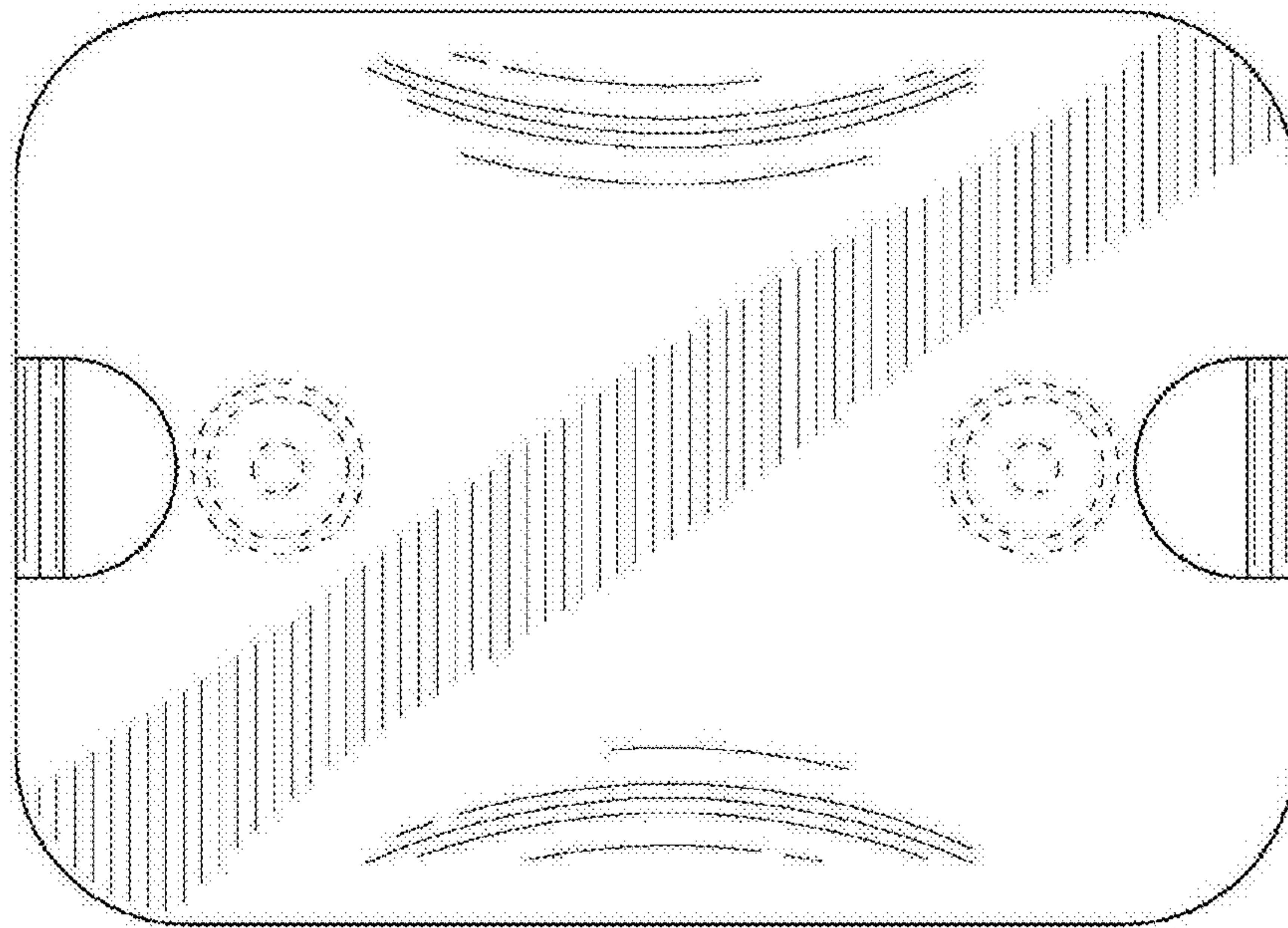


Figure 3

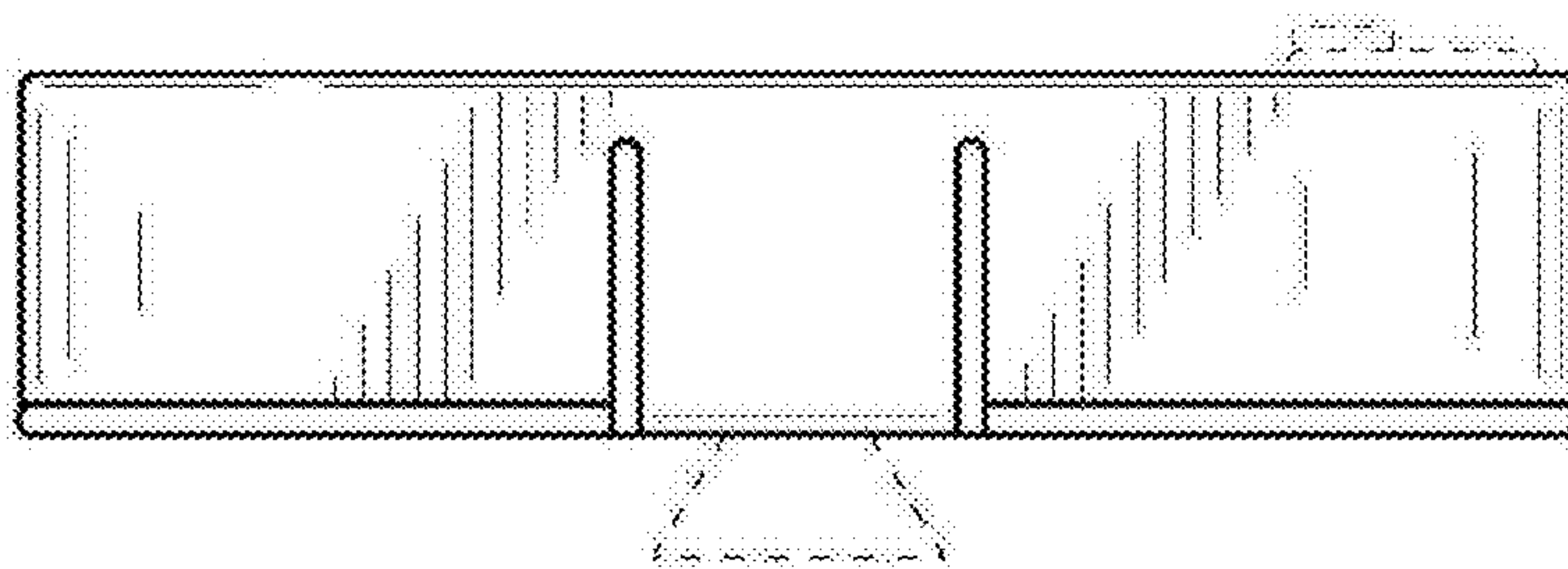


Figure 4

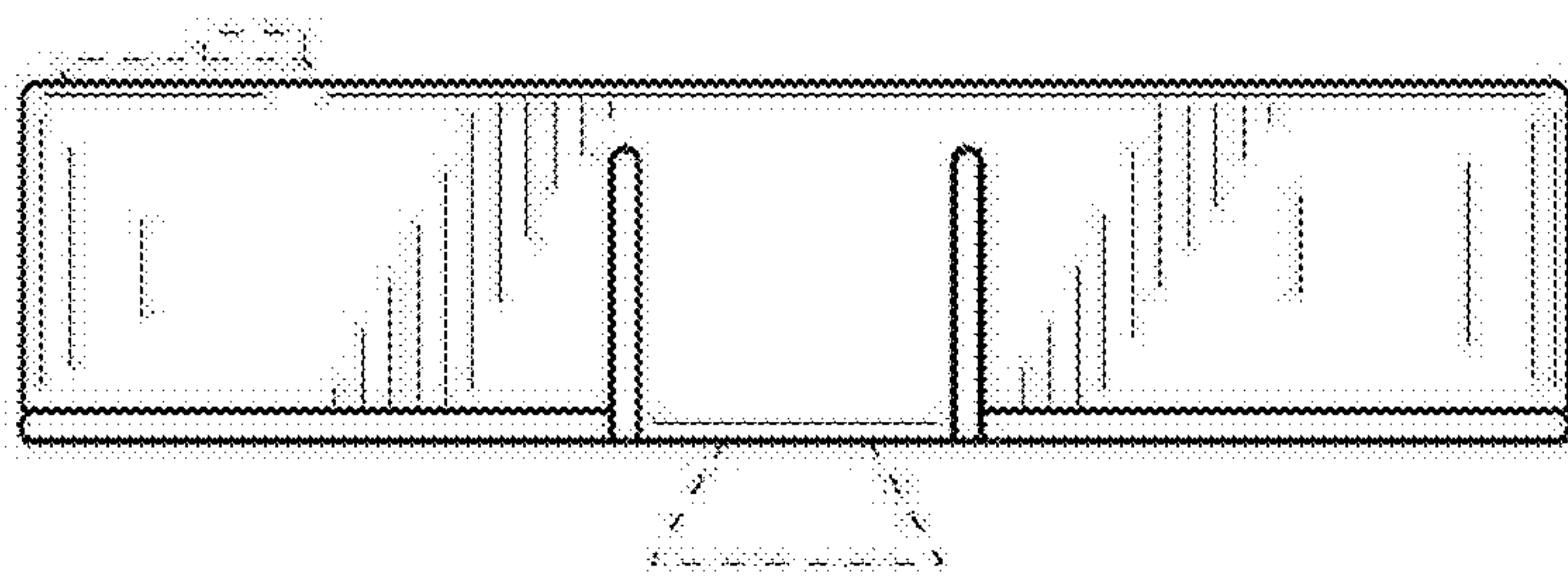


Figure 5

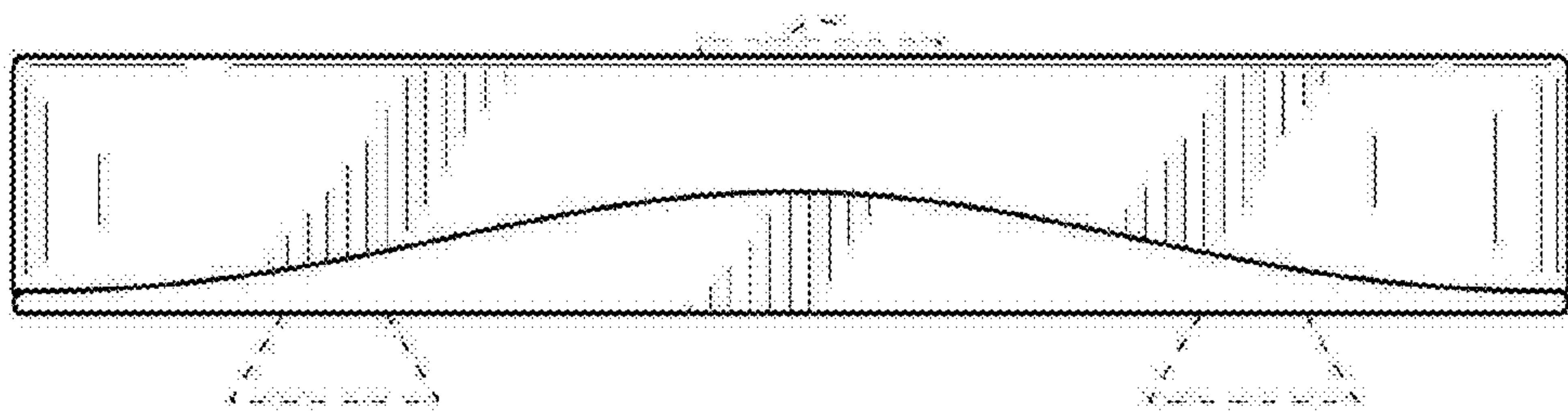


Figure 6