



US00D739925S

(12) **United States Design Patent**  
**Krintzman**

(10) **Patent No.:** **US D739,925 S**

(45) **Date of Patent:** **\*\* \*Sep. 29, 2015**

(54) **TOILET SEAT ADAPTOR**

(71) Applicant: **Benjamin Krintzman**, Santa Barbara,  
CA (US)

(72) Inventor: **Benjamin Krintzman**, Santa Barbara,  
CA (US)

(\*) Notice: This patent is subject to a terminal dis-  
claimer.

(\*\*) Term: **14 Years**

(21) Appl. No.: **29/456,670**

(22) Filed: **Jun. 3, 2013**

(51) **LOC (10) Cl.** ..... **23-02**

(52) **U.S. Cl.**  
USPC ..... **D23/311**

(58) **Field of Classification Search**  
USPC ..... D23/295, 299, 301, 303, 309, 311-312;  
4/234-241, 252.1, 661  
See application file for complete search history.

(56) **References Cited**

**U.S. PATENT DOCUMENTS**

2,970,322 A \* 2/1961 Vause ..... D23/311  
D411,290 S \* 6/1999 Bergkvist ..... D23/296

D491,650 S \* 6/2004 Laguera Garza et al. .... D23/311  
D492,985 S \* 7/2004 Brotherston et al. .... D23/311  
D559,368 S \* 1/2008 Grant ..... D23/311  
D662,194 S \* 6/2012 Cowen ..... D23/311

\* cited by examiner

*Primary Examiner* — Robert Delehanty

(74) *Attorney, Agent, or Firm* — Laura Tunnell

(57) **CLAIM**

The ornamental design for a toilet seat adaptor, as shown.

**DESCRIPTION**

FIG. 1 is a perspective view of the first embodiment of the toilet seat adaptor in its intended environment. FIGS. 2-7 further illustrate details of the adaptor site.

FIG. 2 shows a detailed side view of the toilet seat adaptor in its intended environment.

FIG. 3 shows the toilet seat adaptor in perspective.

FIG. 4 shows a front view of the toilet seat adaptor.

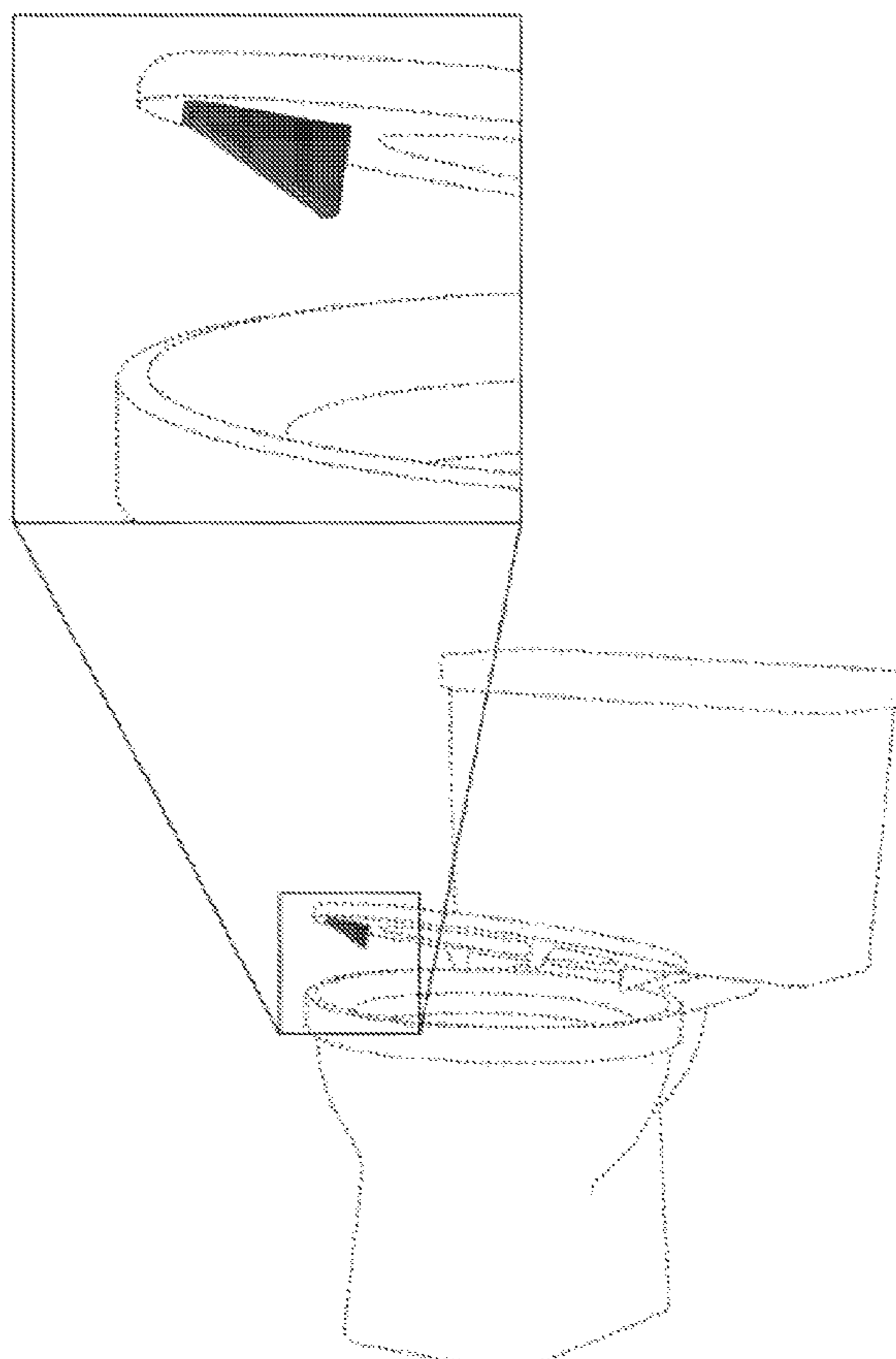
FIG. 5 shows a simplified side view of the toilet seat adaptor of FIG. 2.

FIG. 6 shows a back view of the toilet seat adaptor; and,

FIG. 7 shows a bottom view of the toilet seat adaptor.

The dotted lines show only the environment for each embodiment and are not part of the claimed design.

**1 Claim, 2 Drawing Sheets**



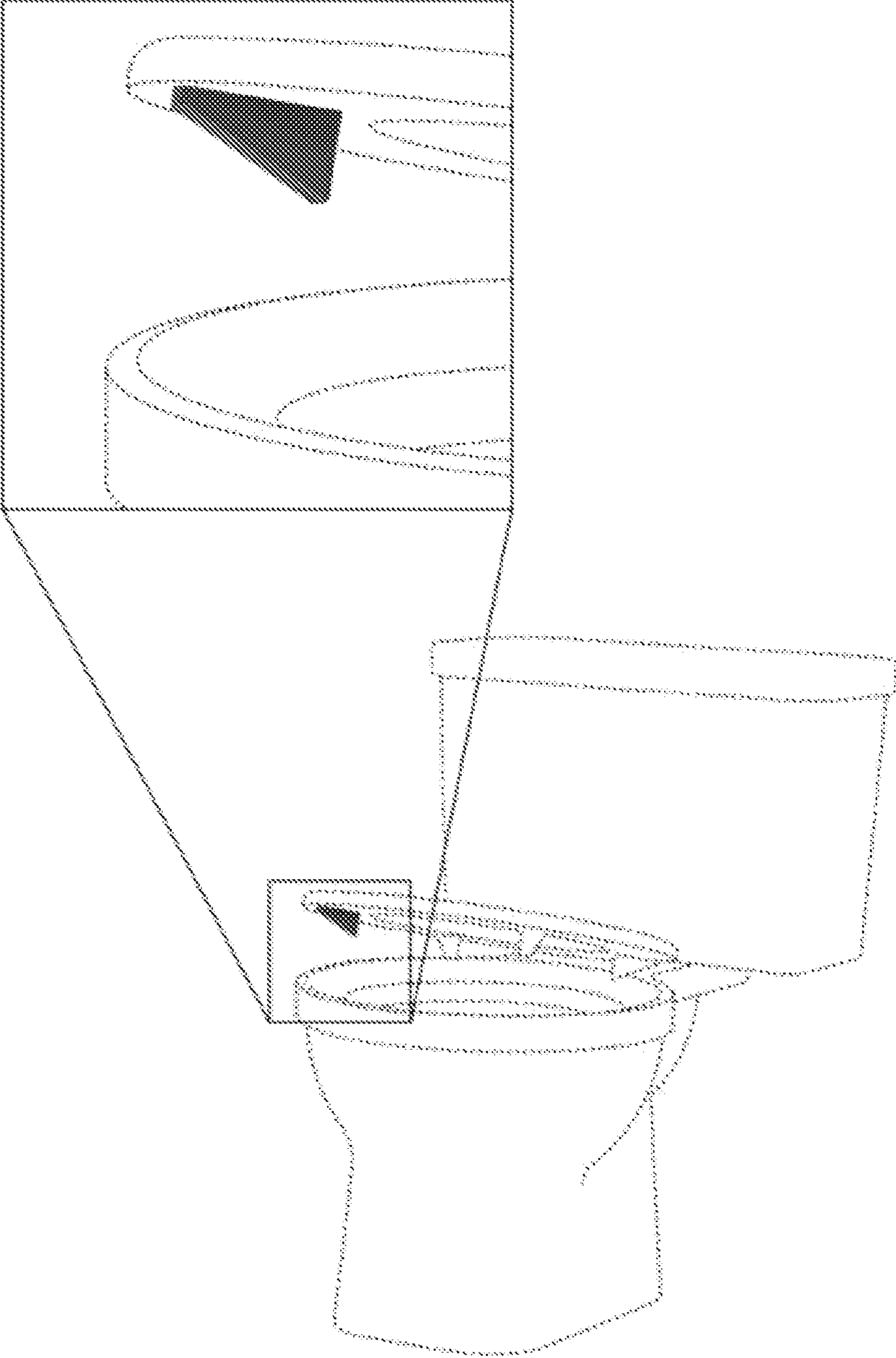


Figure 1

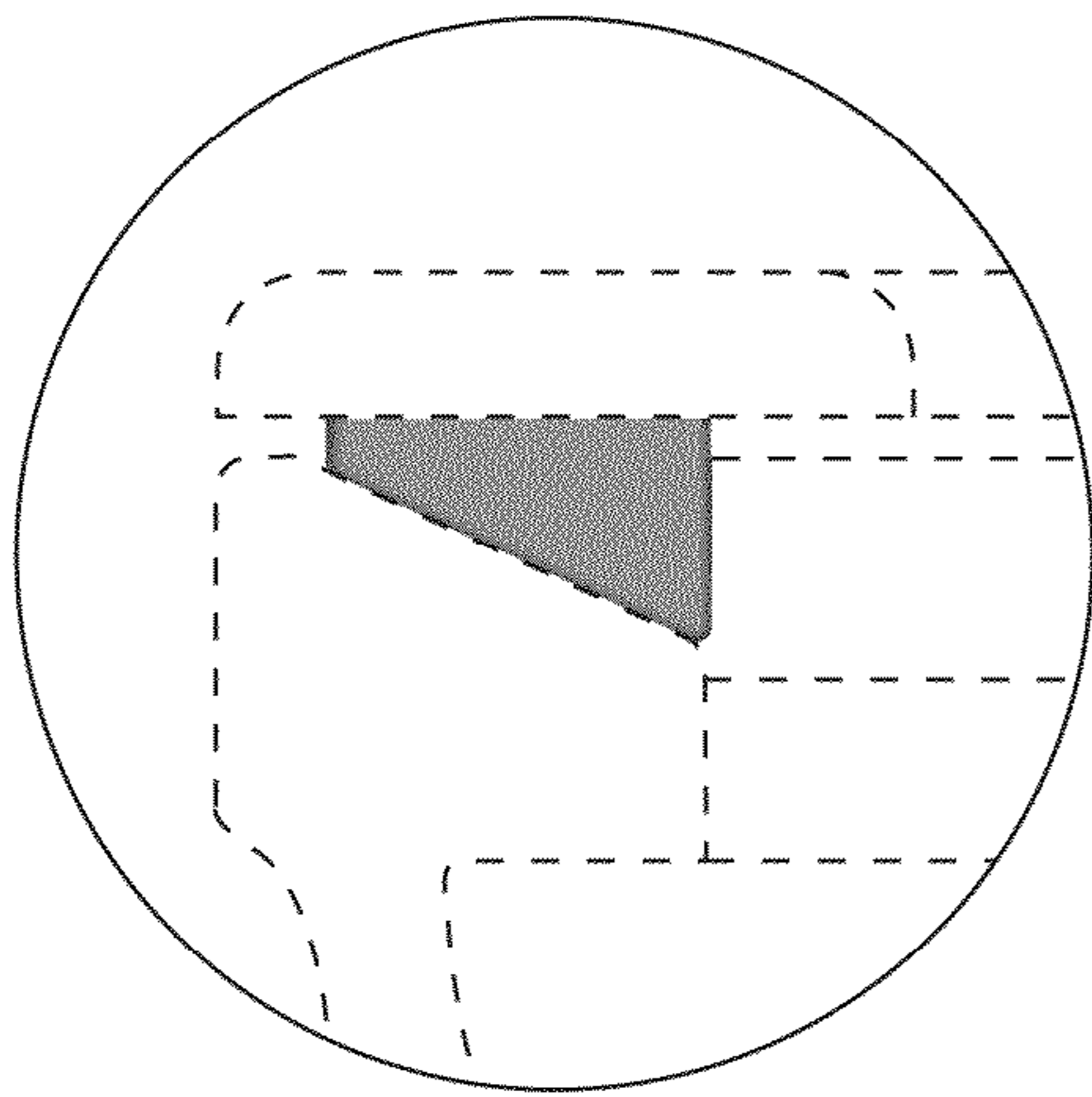


Fig. 2

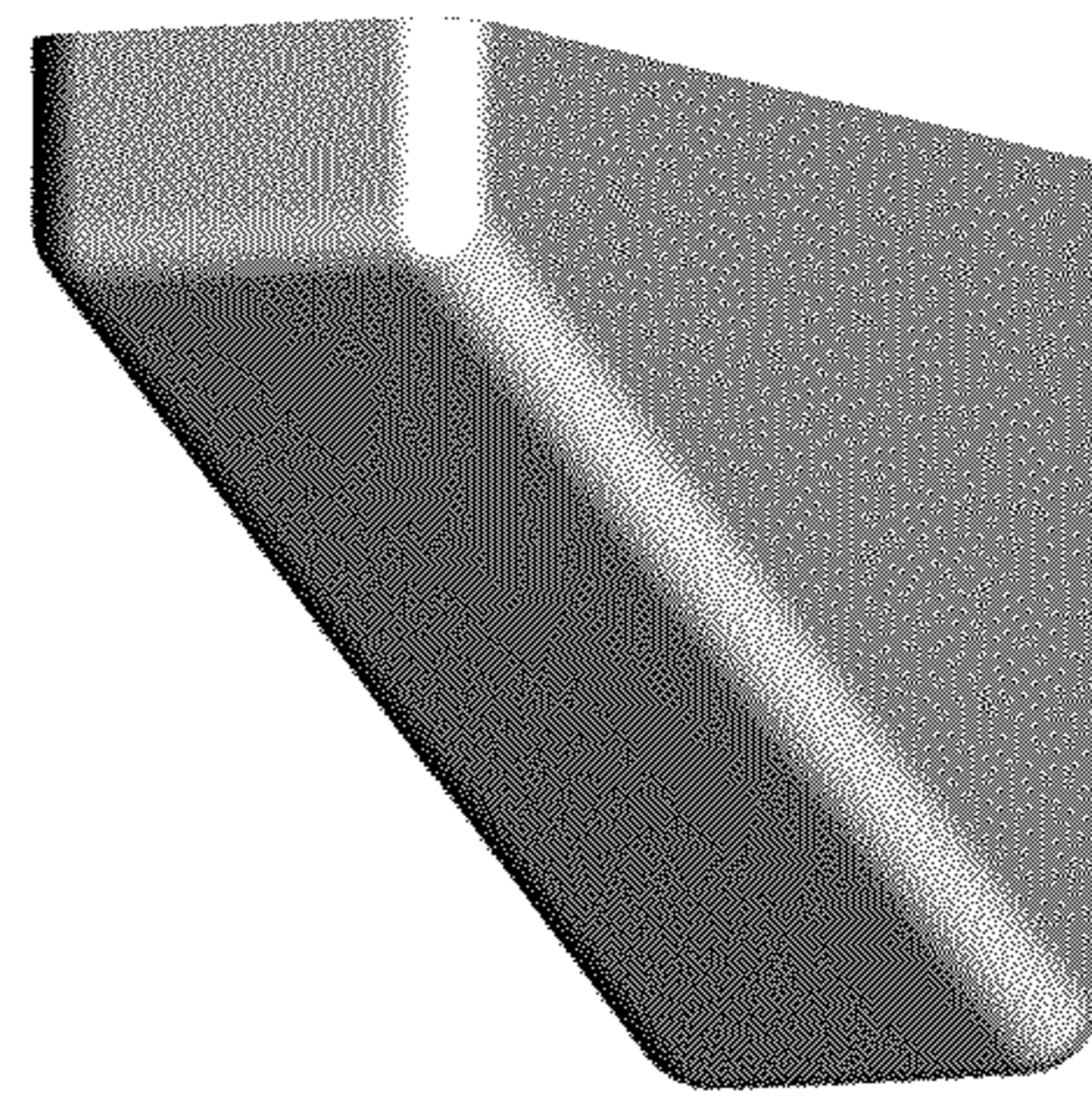


Fig. 3

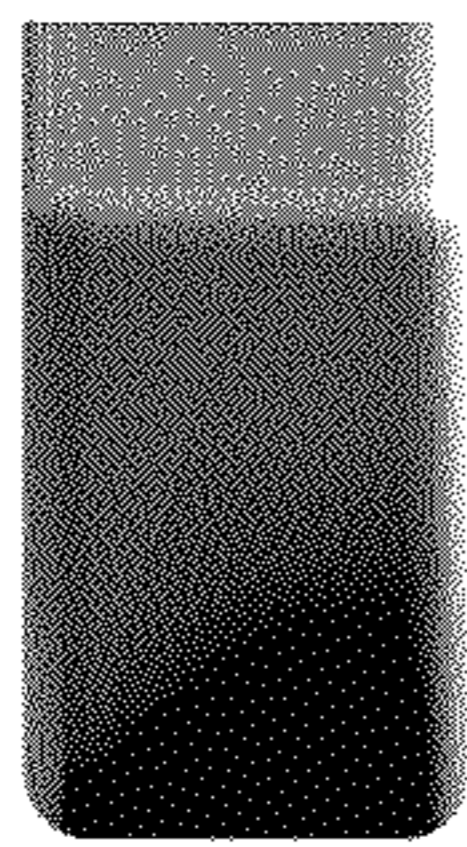


Fig. 4

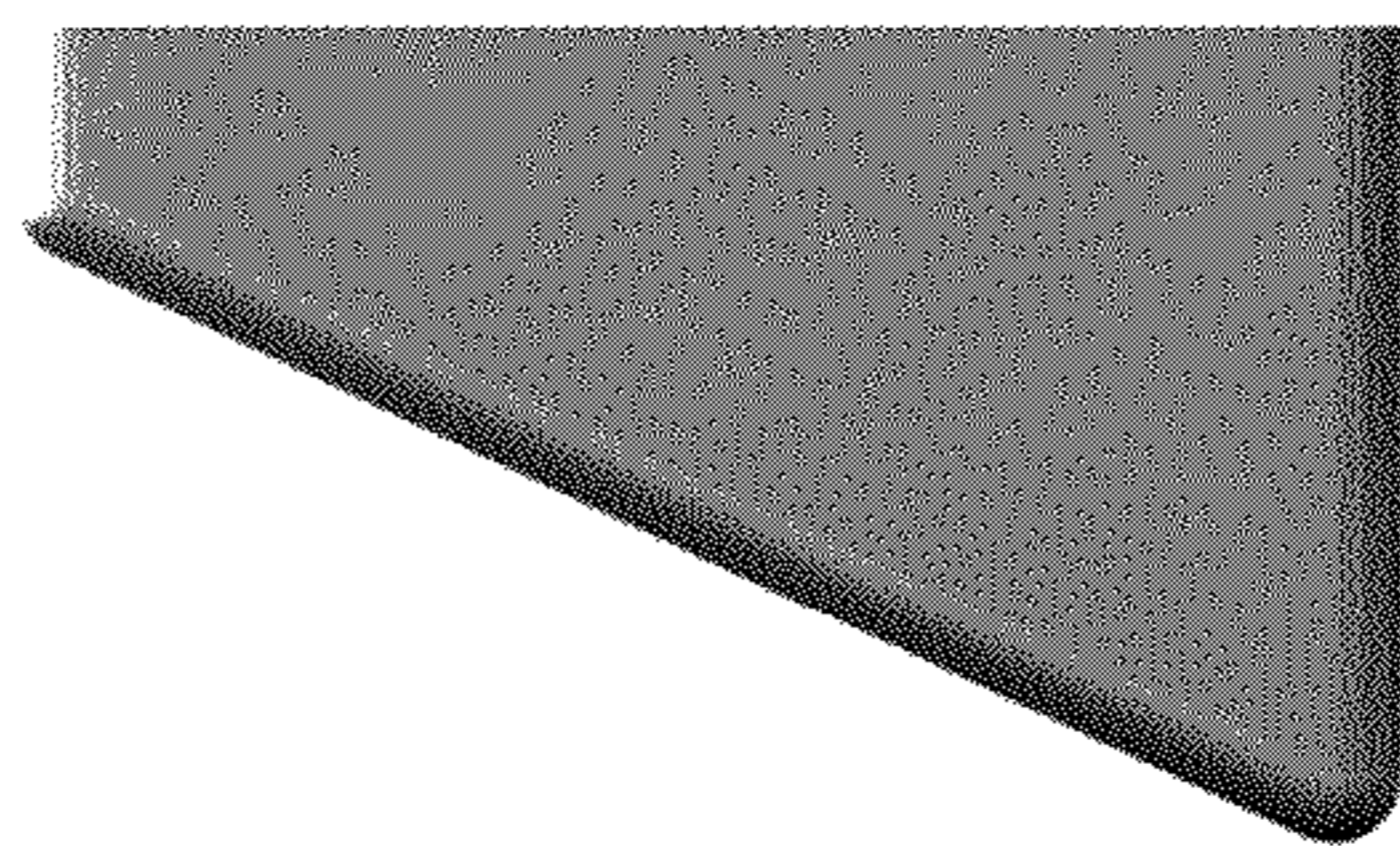


Fig. 5

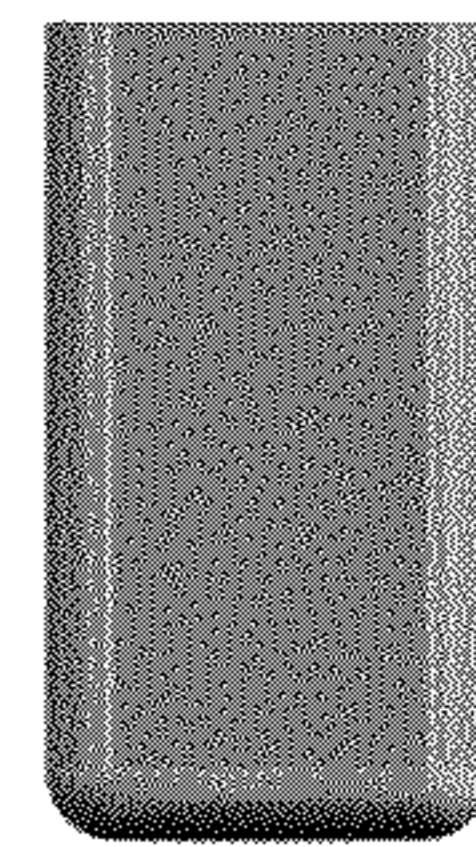


Fig. 6

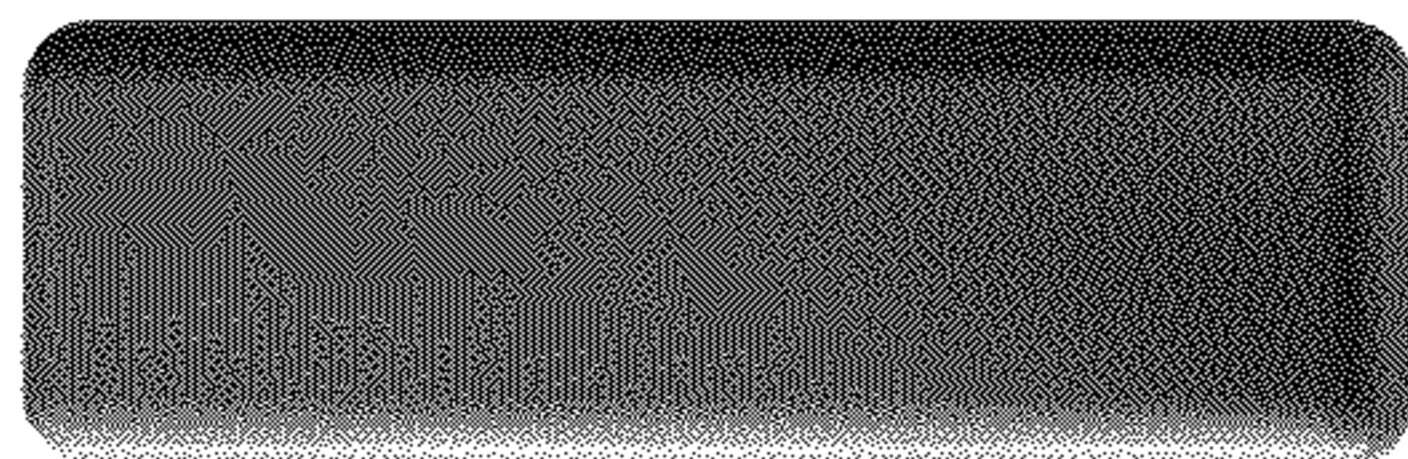


Fig. 7