

US00D739924S

(12) **United States Design Patent**
Danowski et al.

(10) **Patent No.:** **US D739,924 S**

(45) **Date of Patent:** **** Sep. 29, 2015**

- (54) **URINAL**
- (71) Applicant: **Zurn Industries, LLC**, Milwaukee, WI (US)
- (72) Inventors: **Daniel James Danowski**, Apex, NC (US); **John Kevin Schoolcraft**, Sanford, NC (US); **Himanshu Bhatta**, Raleigh, NC (US)
- (73) Assignee: **ZURN INDUSTRIES, LLC**, Milwaukee, WI (US)

- D275,600 S 9/1984 Stairs, Jr.
- 4,670,918 A 6/1987 Juaire et al.
- D294,966 S 3/1988 Kohler, Jr. et al.
- 5,027,448 A 7/1991 Wilkins
- 5,255,397 A 10/1993 Poole
- 5,287,563 A 2/1994 Peters
- 5,373,589 A 12/1994 Rego et al.
- D360,255 S 7/1995 Nagato
- D377,206 S 1/1997 Tani
- 5,732,416 A 3/1998 Albert
- 5,806,107 A 9/1998 Tilton et al.
- 5,983,410 A 11/1999 Webster
- D420,730 S 2/2000 Thomas
- 6,055,681 A 5/2000 Lyons

(Continued)

(**) Term: **14 Years**

(21) Appl. No.: **29/522,113**

(22) Filed: **Mar. 27, 2015**

Primary Examiner — Robert Delehanty
(74) *Attorney, Agent, or Firm* — The Webb Law Firm

Related U.S. Application Data

(62) Division of application No. 29/465,878, filed on Sep. 3, 2013, now Pat. No. Des. 731,040.

(51) **LOC (10) Cl.** **23-02**

(52) **U.S. Cl.**
USPC **D23/302**

(58) **Field of Classification Search**
USPC D23/302–303, 309; 4/301, 310–311
See application file for complete search history.

(56) **References Cited**

U.S. PATENT DOCUMENTS

- 652,037 A 6/1900 Naumann
- 921,096 A 5/1909 Ebinger
- 946,851 A 1/1910 Bowman
- 955,485 A 4/1910 Walsh
- 974,145 A 11/1910 Hinsdale
- 1,070,643 A 8/1913 Weelans
- 1,114,670 A 10/1914 Baker
- 2,147,588 A 2/1939 Zinkil et al.
- D185,767 S 7/1959 McCann
- 2,980,919 A 4/1961 Otto et al.
- D195,080 S 4/1963 Phillips, Jr.

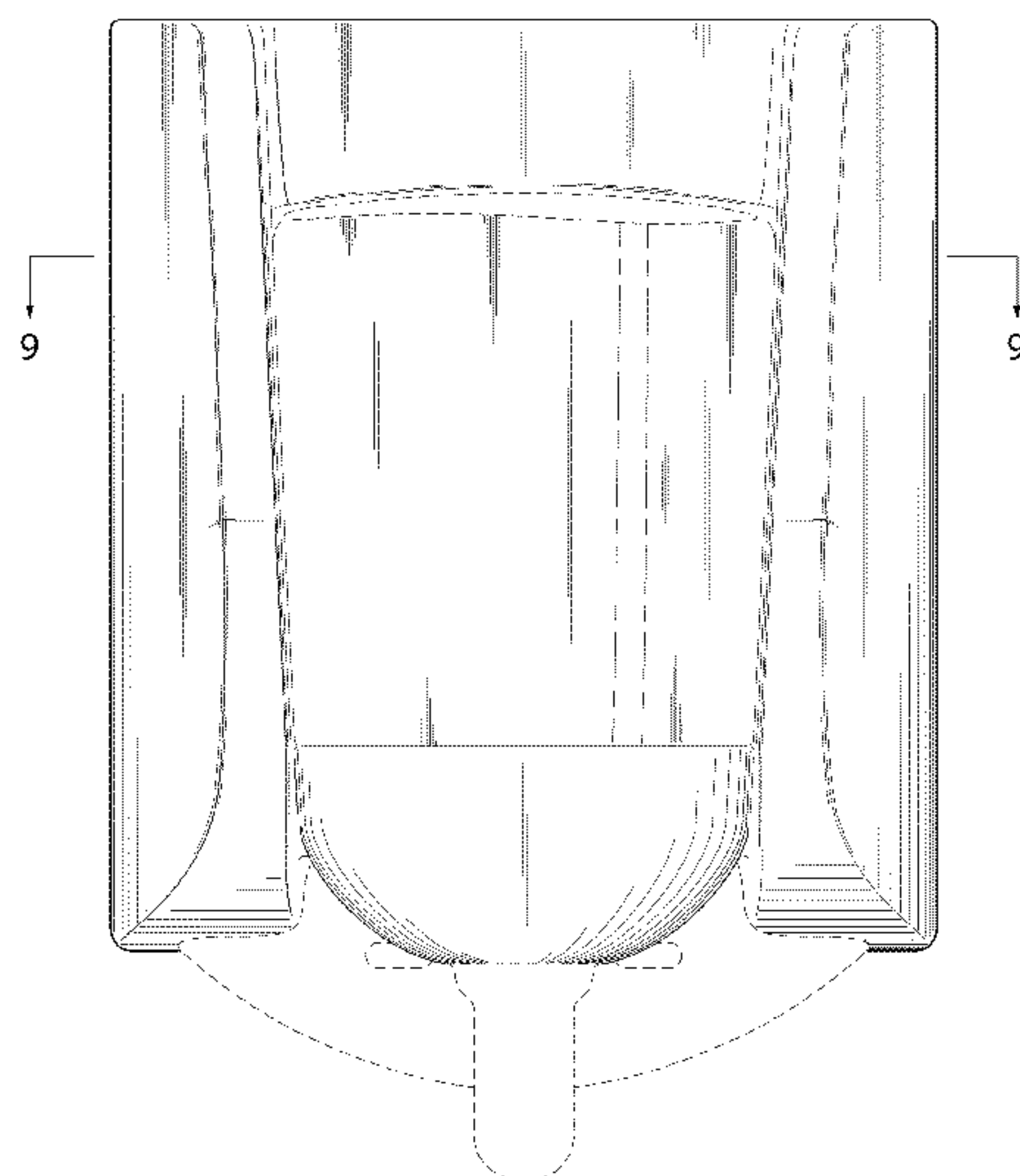
(57) **CLAIM**

The ornamental design for a urinal, as shown and described.

DESCRIPTION

FIG. 1 is an upper right front perspective view of a urinal showing our new design;
 FIG. 2 is an upper left front perspective view thereof;
 FIG. 3 is a lower left front perspective view thereof;
 FIG. 4 is a front view thereof;
 FIG. 5 is a top view thereof;
 FIG. 6 is a bottom view thereof;
 FIG. 7 is a left side view thereof;
 FIG. 8 is a right side view thereof; and,
 FIG. 9 is a cross-sectional view thereof taken along lines 9-9 shown in FIG. 4.
 The rear view is omitted because it is plain and unornamental, and forms no part of the subject matter of the claimed design. The broken line showings of FIGS. 1-9 are environmental only and not part of the claimed design. The dashed-dotted line showings of FIGS. 2-4 and 9 illustrate boundaries between the claimed design and environmental features.

1 Claim, 8 Drawing Sheets



(56)

References Cited

U.S. PATENT DOCUMENTS

6,357,055 B1	3/2002	Gambla et al.	7,398,565 B1	7/2008	Chou
6,385,785 B1	5/2002	Linden	7,412,732 B1	8/2008	Leonard
6,470,504 B1	10/2002	Neuo	7,461,413 B2	12/2008	Lewis et al.
6,920,648 B1	7/2005	Suski et al.	7,921,478 B1	4/2011	Vanini
7,017,198 B2	3/2006	Conn et al.	7,992,231 B1	8/2011	Schlicksup
7,043,773 B2	5/2006	McAleenan, Jr.	8,215,040 B2	7/2012	Pascarelli et al.
			8,266,731 B2	9/2012	Marra
			2002/0020006 A1	2/2002	Mason, Jr. et al.
			2007/0151011 A1	7/2007	Brown
			2010/0095445 A1	4/2010	Rice et al.



FIG. 1

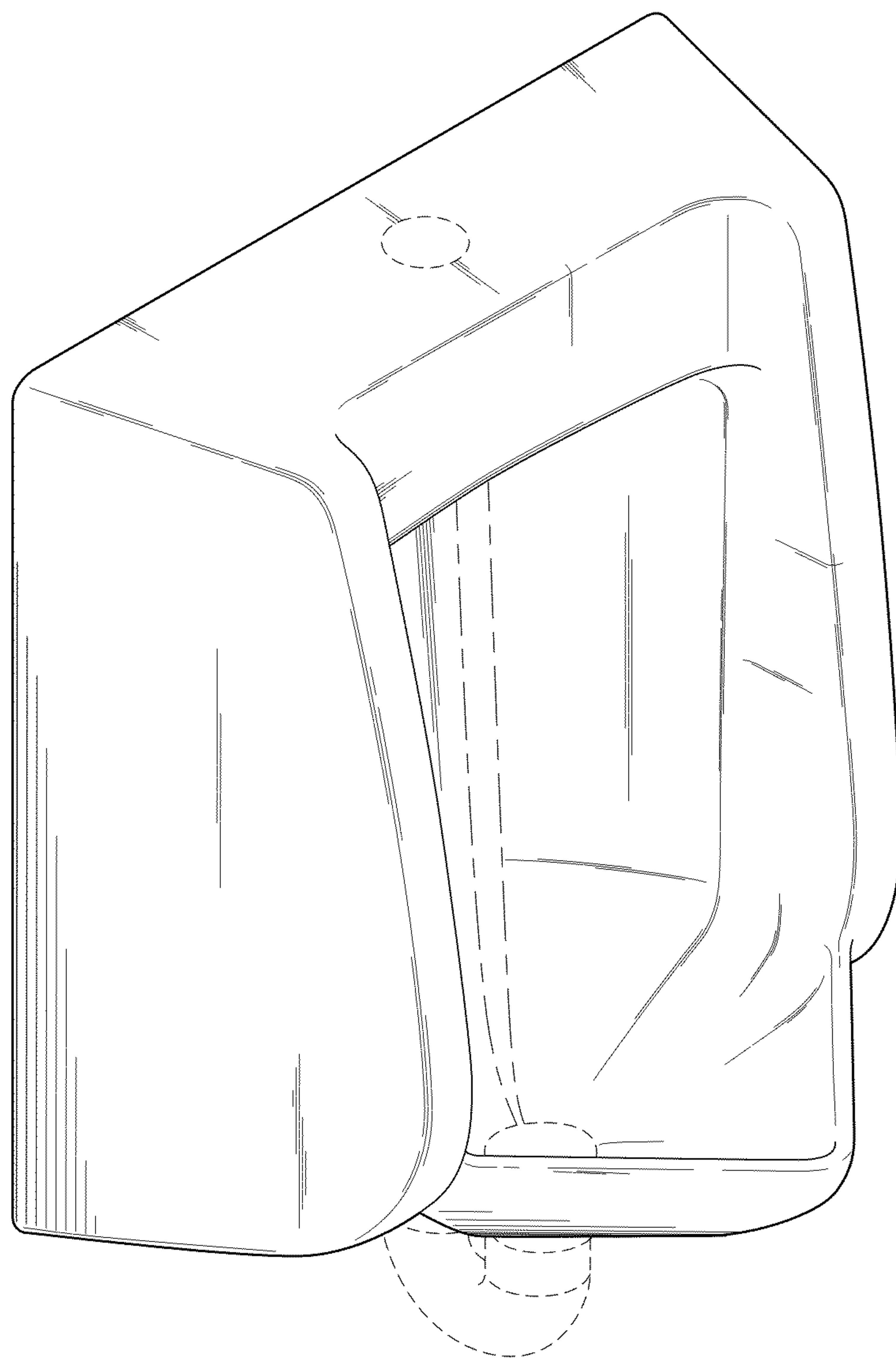


FIG. 2

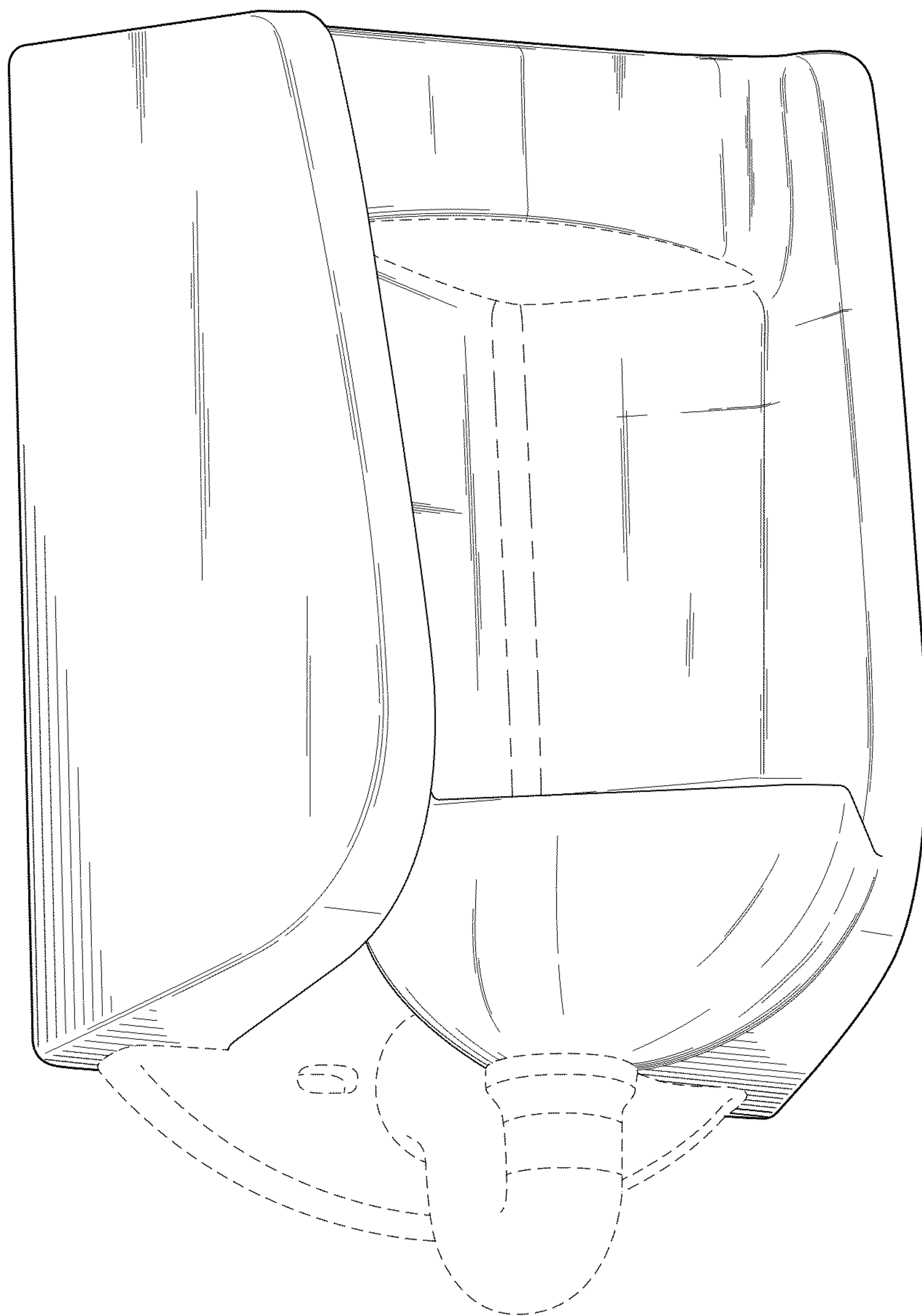


FIG. 3

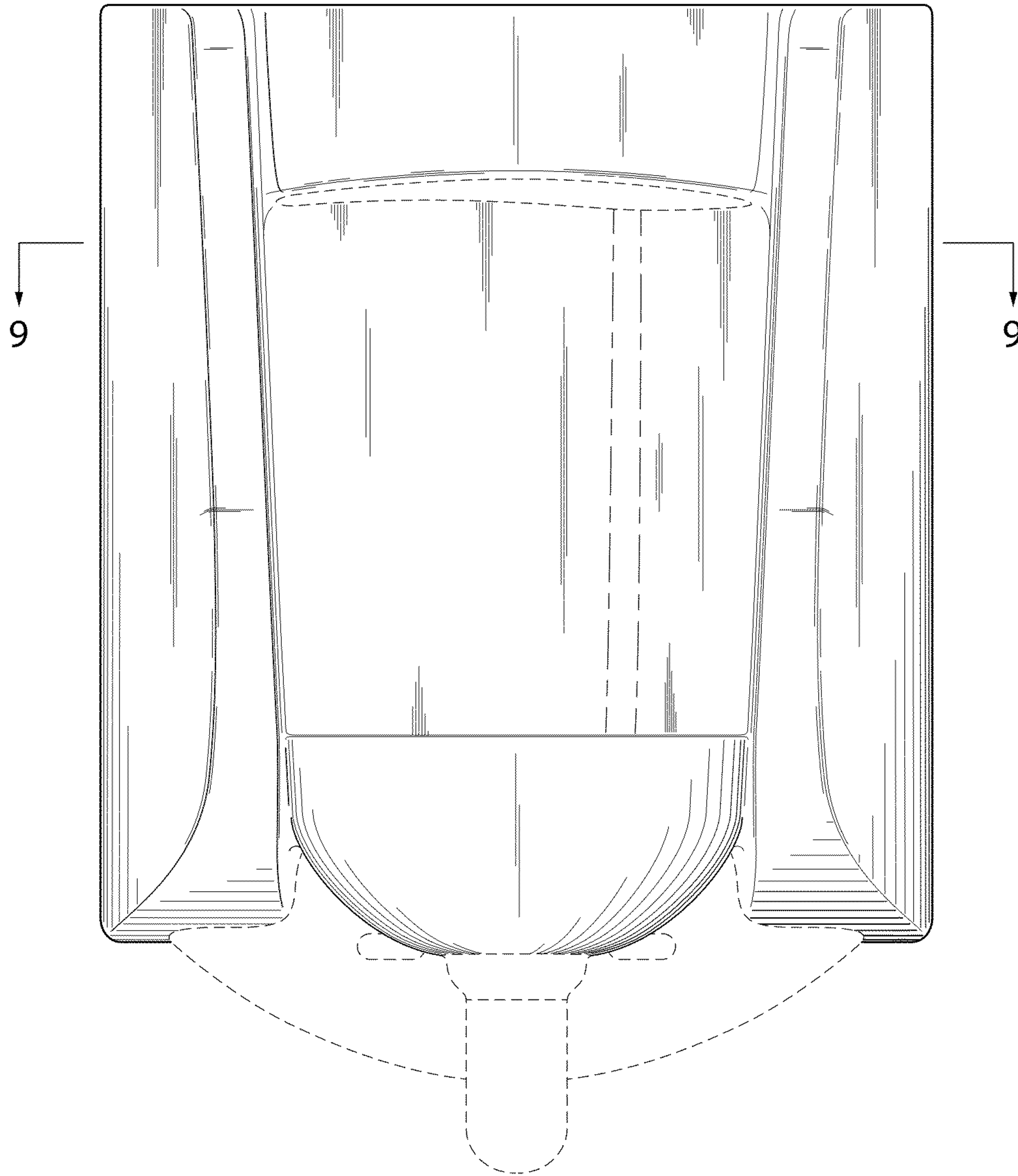


FIG. 4

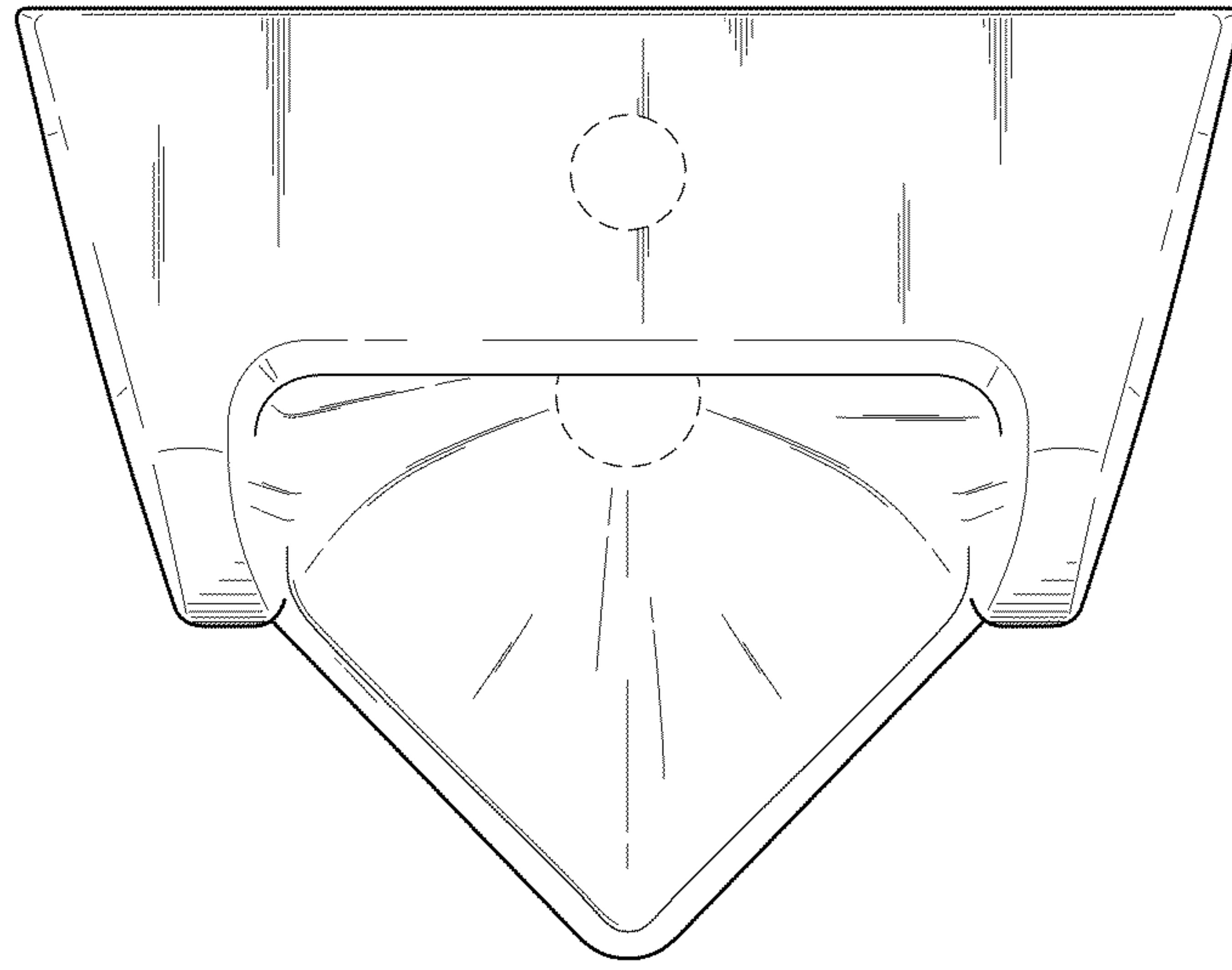


FIG. 5

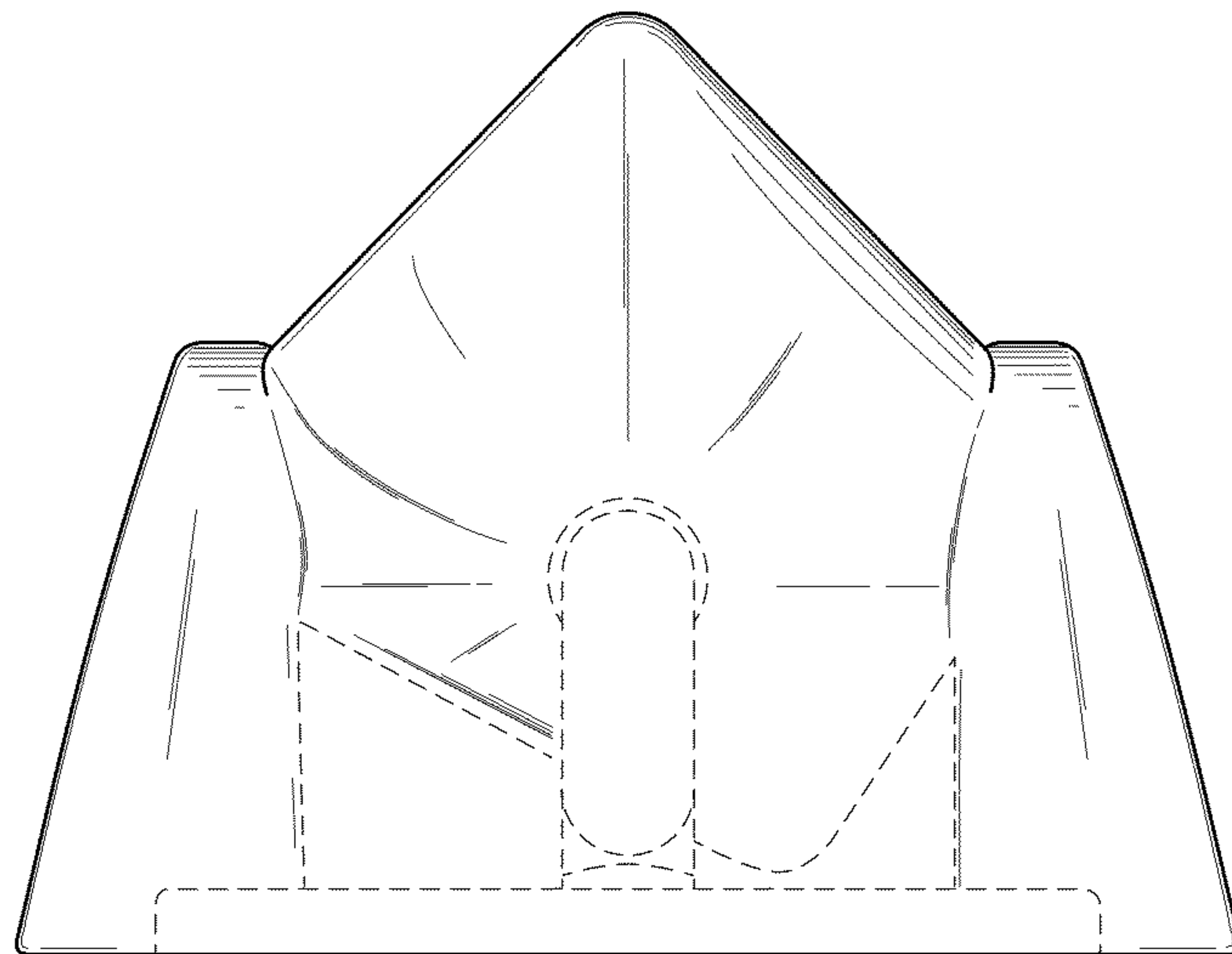


FIG. 6

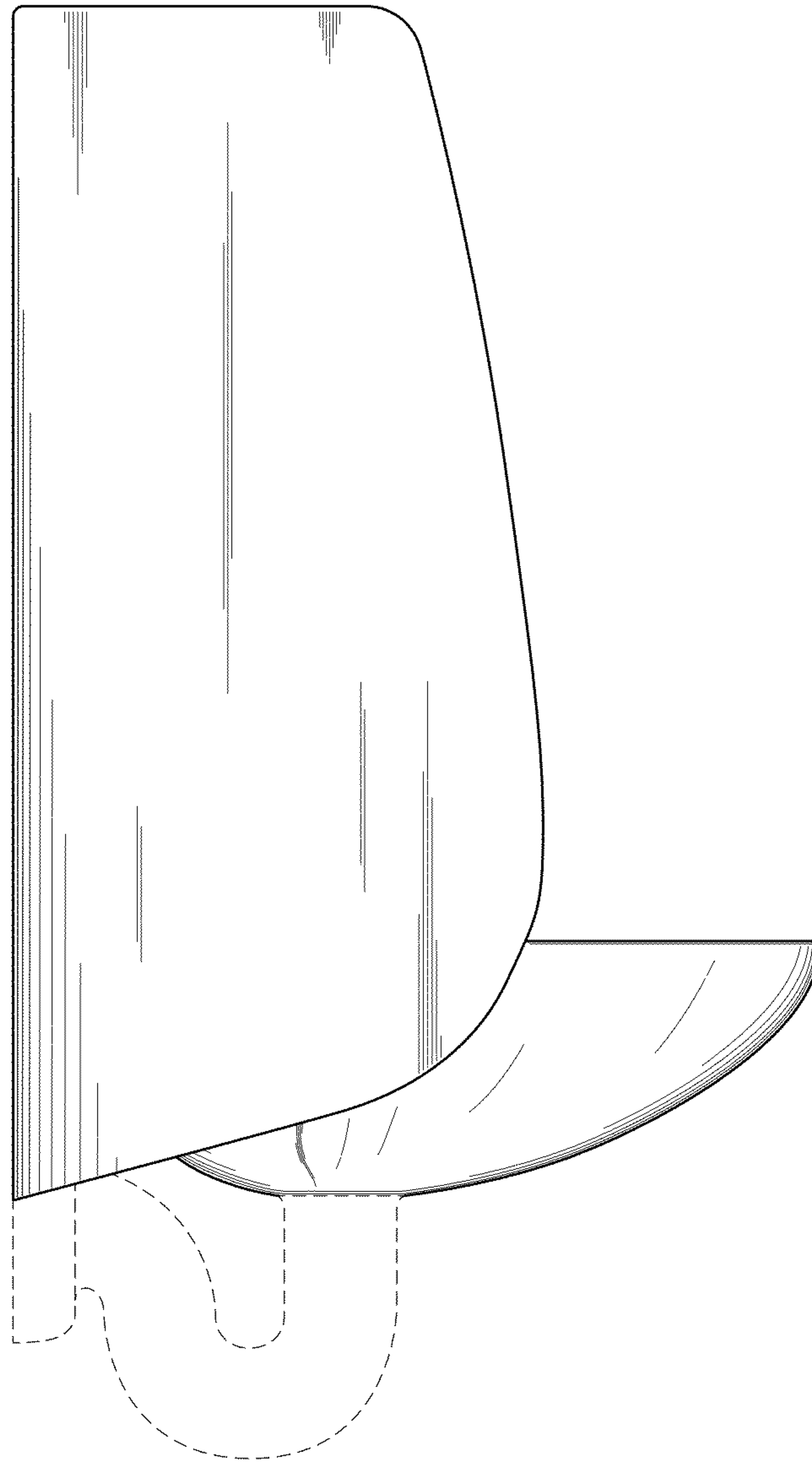


FIG. 7



FIG. 8

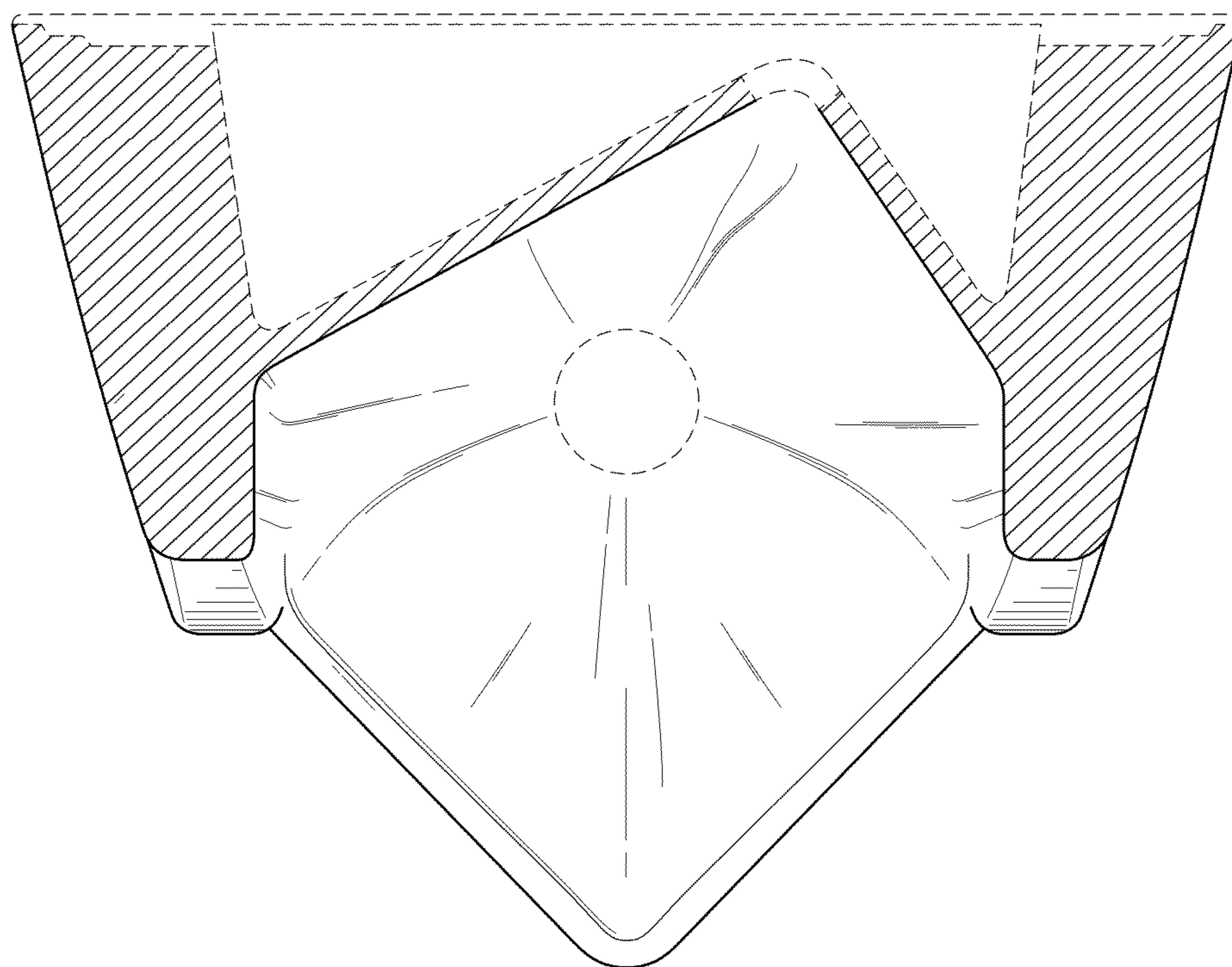


FIG. 9