



US00D739923S

(12) **United States Design Patent**
Froechte et al.

(10) **Patent No.:** **US D739,923 S**

(45) **Date of Patent:** **** Sep. 29, 2015**

(54) **BATHTUB**

(71) Applicant: **Franz Kaldewei GmbH & Co. KG,**
Ahlen (DE)

(72) Inventors: **Daniel Froechte,** Ahlen (DE); **Thomas Dahlhues,** Ascheberg (DE)

(73) Assignee: **FRANZ KALDEWEI GMBH & CO. KG,** Ahlen (DE)

(**) Term: **14 Years**

(21) Appl. No.: **29/521,279**

(22) Filed: **Mar. 22, 2015**

Related U.S. Application Data

(62) Division of application No. 29/482,744, filed on Feb. 21, 2014, now Pat. No. Des. 729,911.

(51) **LOC (10) Cl.** **23-02**

(52) **U.S. Cl.**
USPC **D23/277**

(58) **Field of Classification Search**
USPC D23/275, 277, 280.1, 303-304, 306;
4/663-665, 538, 581-582

See application file for complete search history.

(56) **References Cited**

U.S. PATENT DOCUMENTS

3,999,224	A	*	12/1976	Kollsman	4/583
D329,084	S	*	9/1992	Dannenberg	D23/280.1
D355,026	S	*	1/1995	Levien	D23/304
D440,640	S	*	4/2001	Walsh	D23/277
D539,392	S	*	3/2007	Hood	D23/277
D595,816	S	*	7/2009	Flores	D23/277

* cited by examiner

Primary Examiner — Robert Delehanty

(74) *Attorney, Agent, or Firm* — Andrew Wilford

(57) **CLAIM**

The ornamental design for a bathtub, as shown and described.

DESCRIPTION

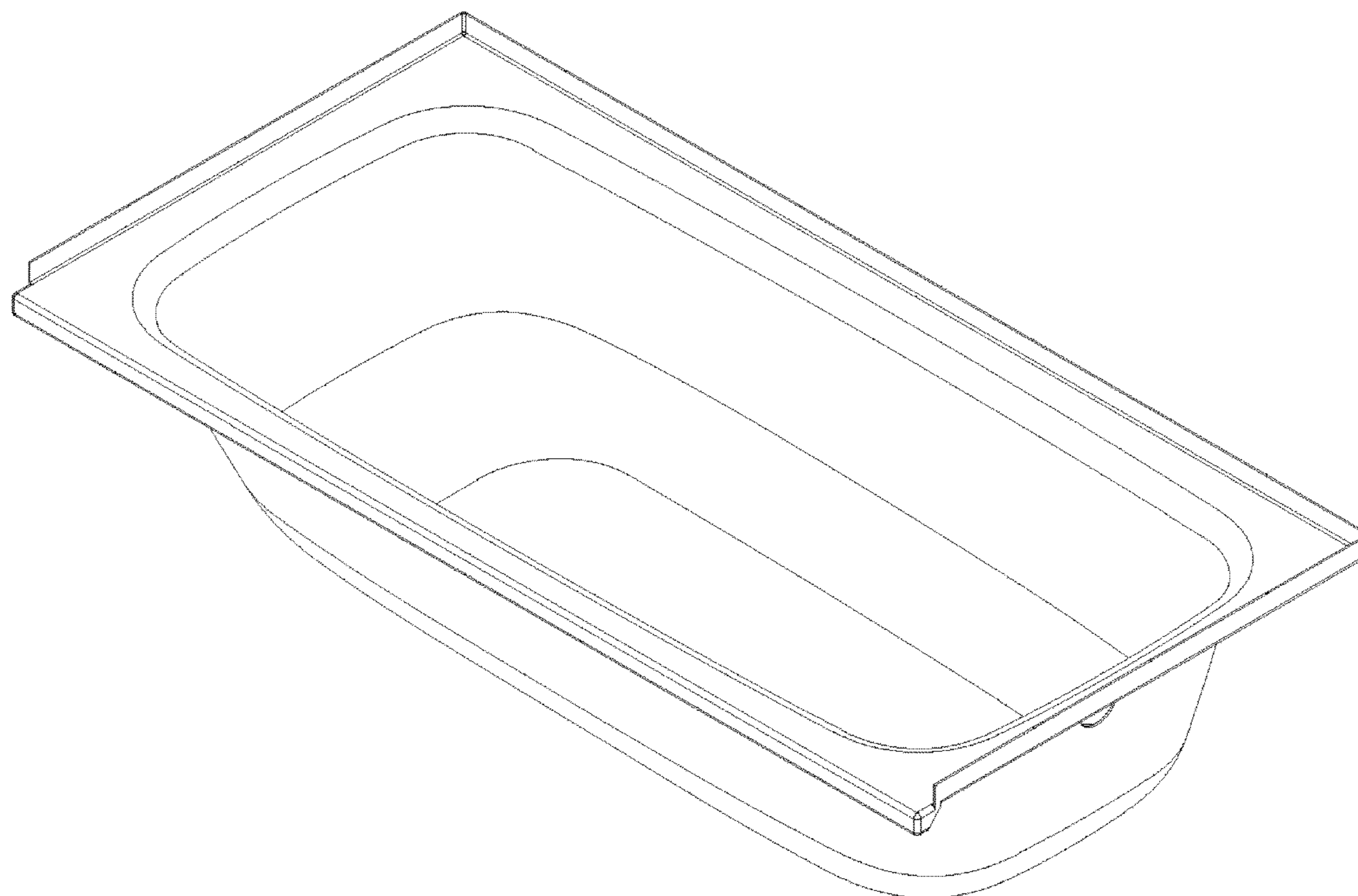
FIG. 1 is a perspective view from above of a drop-in bathtub according to the invention;

FIG. 2 is a top view of the bathtub of FIG. 1;

FIG. 3 is a side view of the bathtub of FIG. 1; and,

FIG. 4 is an end view of the bathtub of FIG. 1.

1 Claim, 4 Drawing Sheets



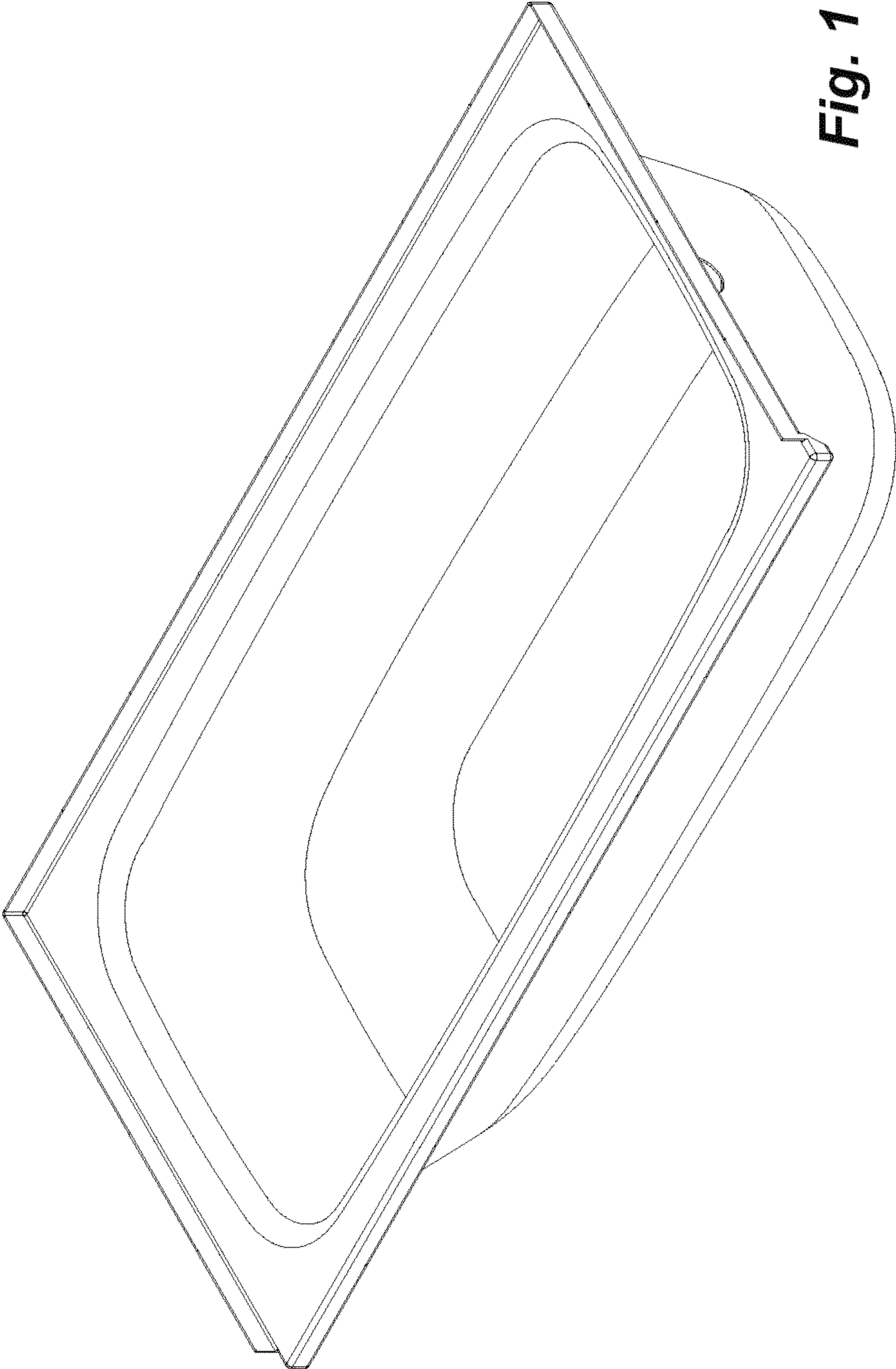


Fig. 1

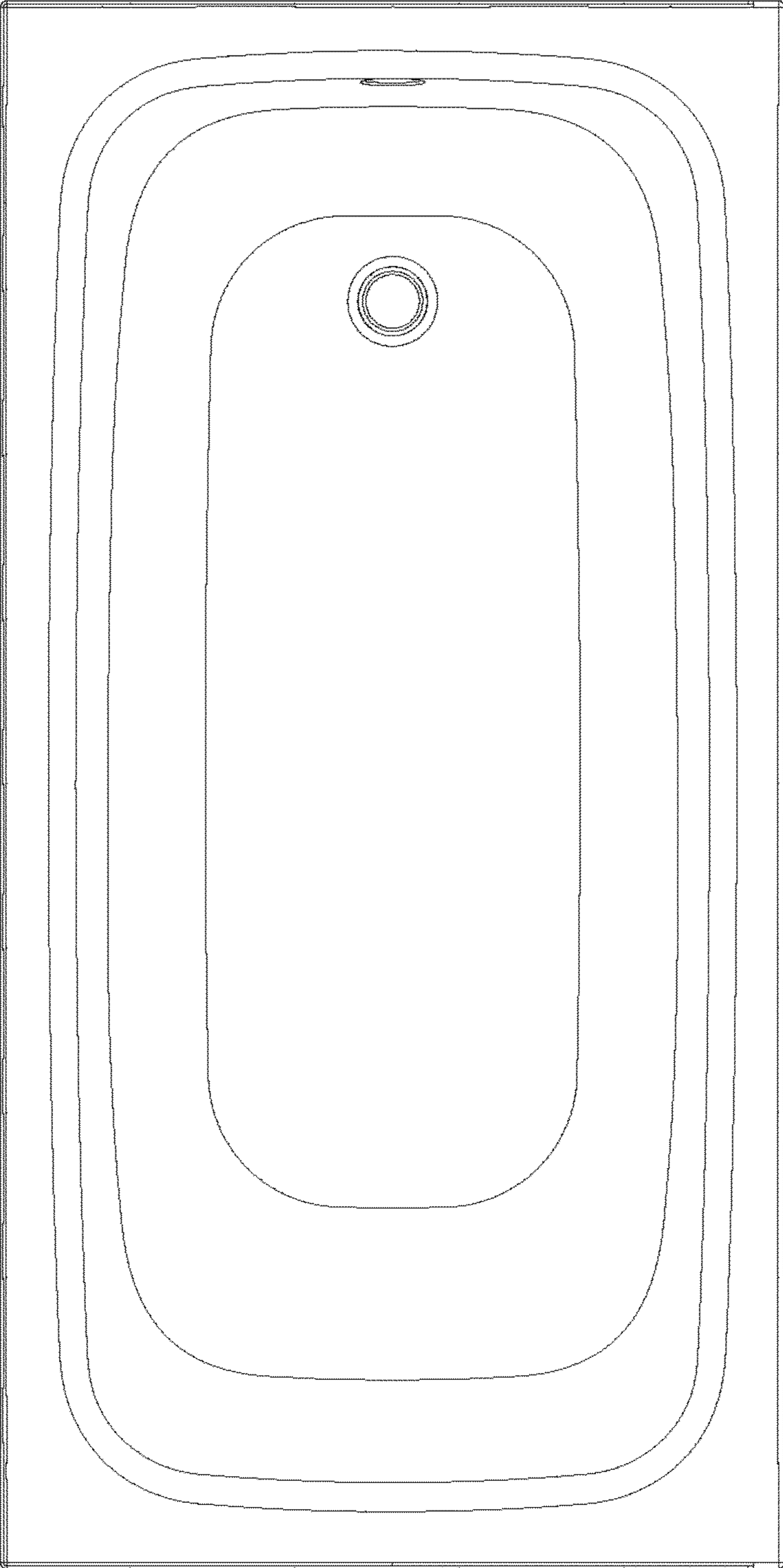


Fig. 2

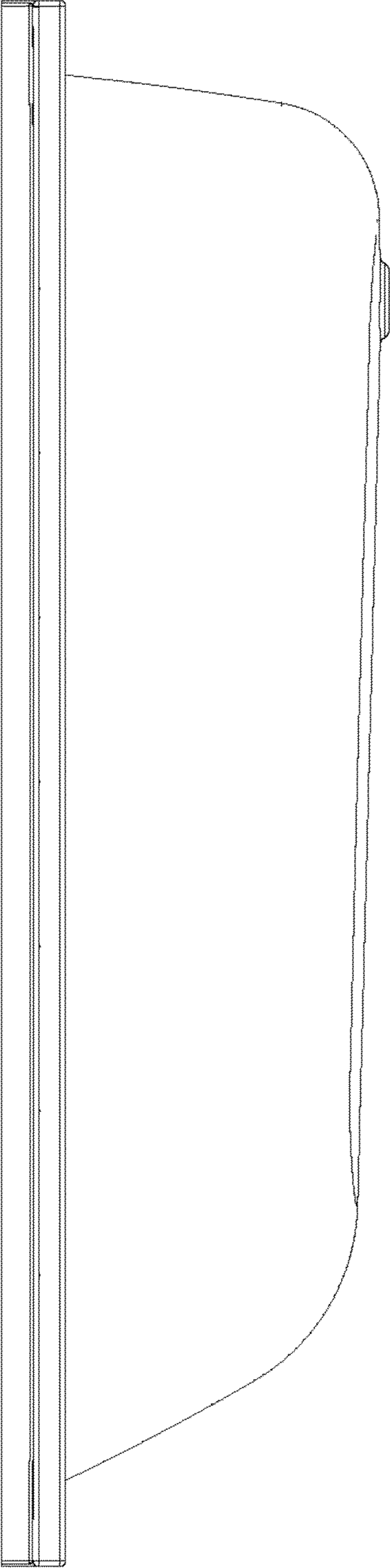


Fig. 3

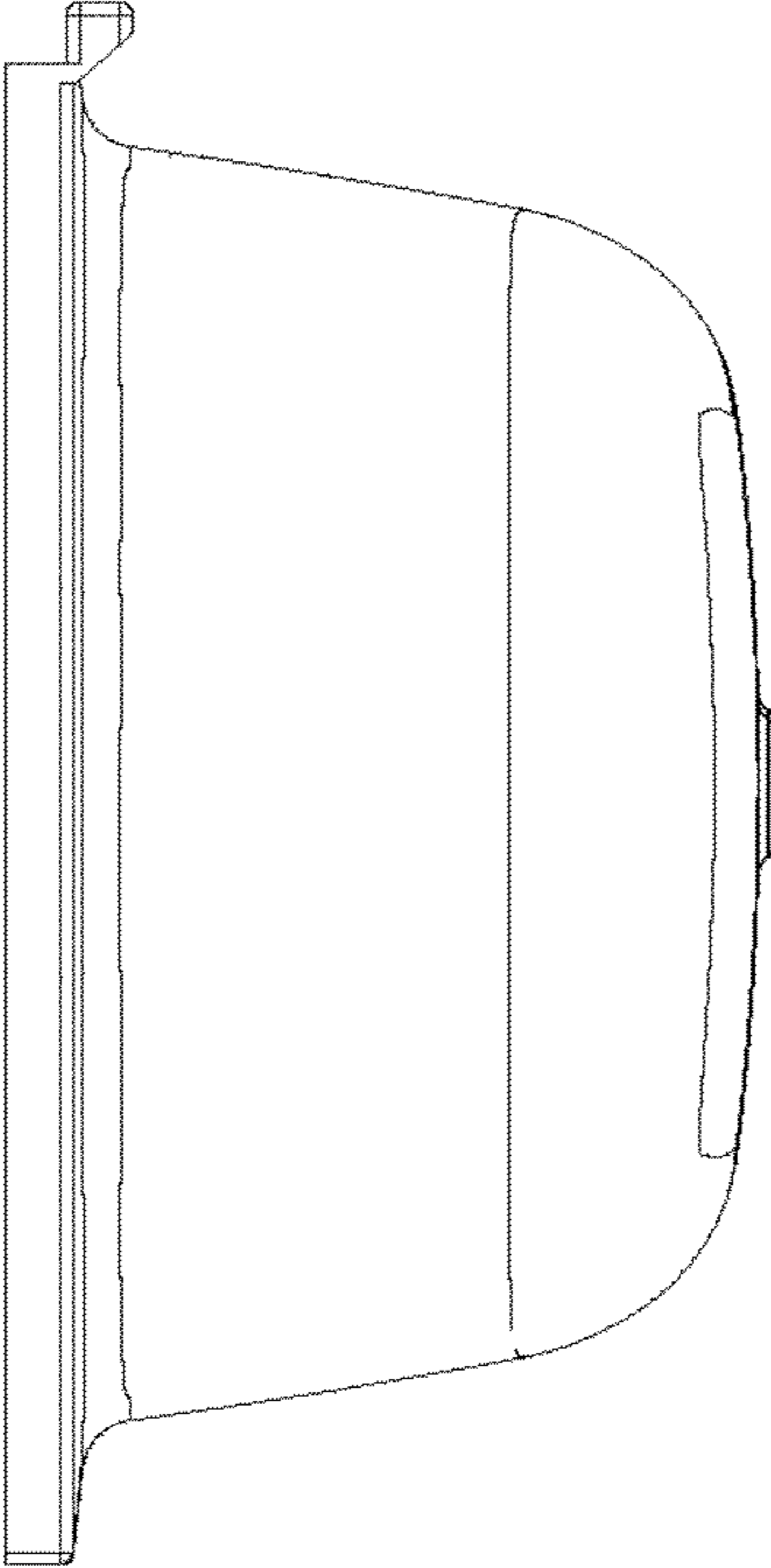


Fig. 4