

US00D739922S

(12) **United States Design Patent**  
**Al Harbi**

(10) **Patent No.:** **US D739,922 S**

(45) **Date of Patent:** **\*\* Sep. 29, 2015**

- (54) **DEVICE FOR WASHING FEET**
- (71) Applicant: **BOLD INTERNATIONAL FZCO,**  
Dubai (AE)
- (72) Inventor: **Fahad Abdullah Al Harbi,** Riyadh (SA)
- (73) Assignee: **BOLD INTERNATIONAL FZCO,**  
Dubai (AE)

3,973,286	A *	8/1976	Logan	.....	15/88.3
4,184,488	A *	1/1980	Bielich	.....	D24/213
4,617,917	A *	10/1986	Miller	.....	601/136
D296,128	S *	6/1988	Davis	.....	D23/271
D322,320	S *	12/1991	Cohn	.....	D24/213
5,177,829	A *	1/1993	Simpson	.....	15/104.92
D620,264	S *	7/2010	Zamawi et al.	.....	D6/336
D632,798	S *	2/2011	Tran	.....	D24/213
D650,084	S *	12/2011	Tran	.....	D24/204

\* cited by examiner

(\*\*) Term: **14 Years**

*Primary Examiner* — Robert Delehanty

(21) Appl. No.: **29/483,464**

(74) *Attorney, Agent, or Firm* — Pearl Cohen Zedek Latzer Baratz LLP

(22) Filed: **Feb. 28, 2014**

(51) **LOC (10) Cl.** ..... **23-02**

(57) **CLAIM**

The ornamental design for a device for washing feet, as shown and described above.

(52) **U.S. Cl.**  
USPC ..... **D23/270**

**DESCRIPTION**

(58) **Field of Classification Search**  
USPC ..... D23/270–271, 303; D28/56, 61, 99;  
D24/204–205, 213; D6/335–336  
CPC ..... A61H 2203/0406; A61H 33/022;  
A61H 33/02; A47K 7/03; A47K 3/022  
See application file for complete search history.

FIG. 1 is a top, front, left side perspective view of the device for washing feet;  
FIG. 2 is a front elevational view thereof;  
FIG. 3 is a rear elevational view of thereof;  
FIG. 4 is a right side elevational view thereof;  
FIG. 5 is a left side elevational view thereof;  
FIG. 6 is a top plan view of thereof; and,  
FIG. 7 is a bottom plan view thereof.

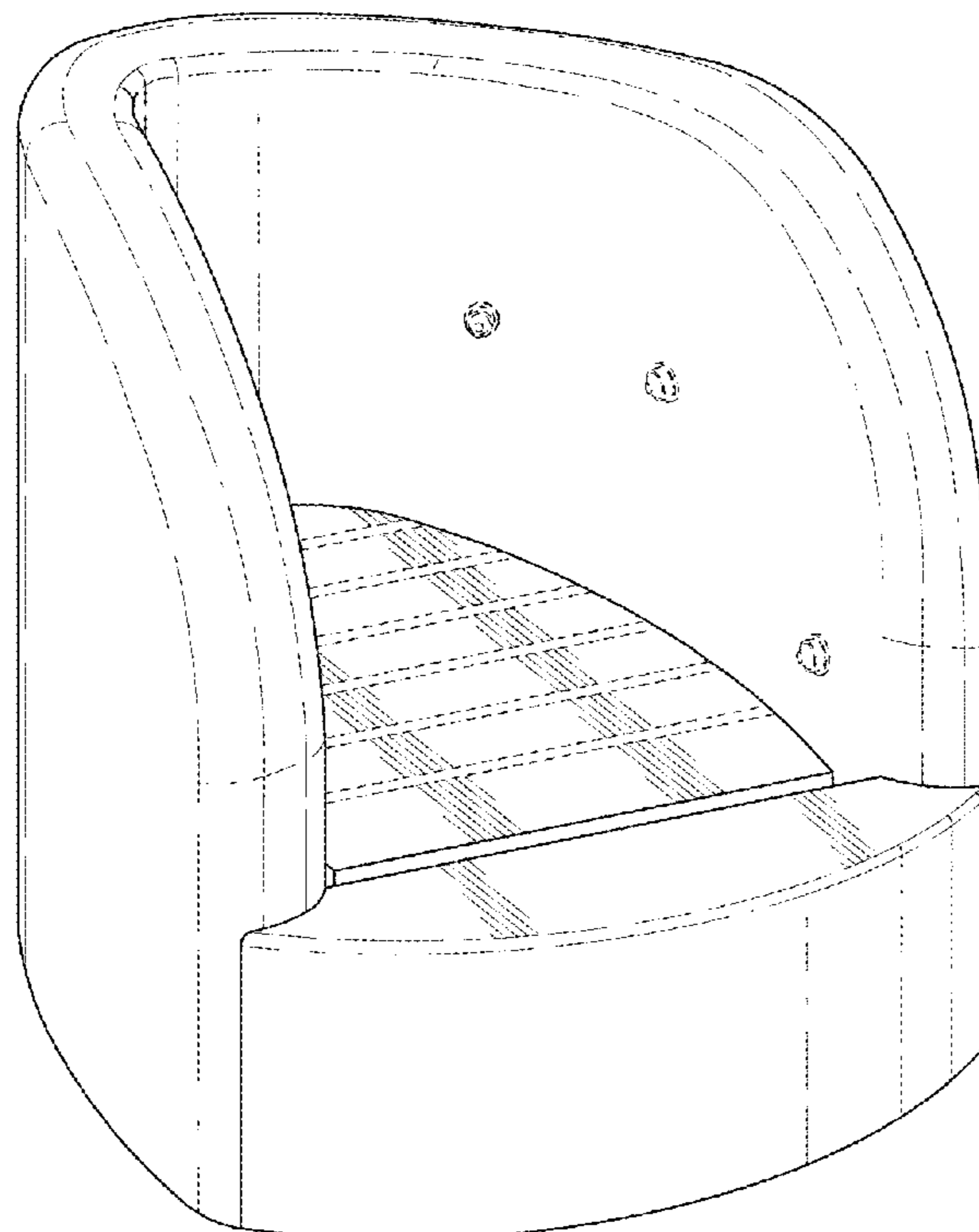
(56) **References Cited**

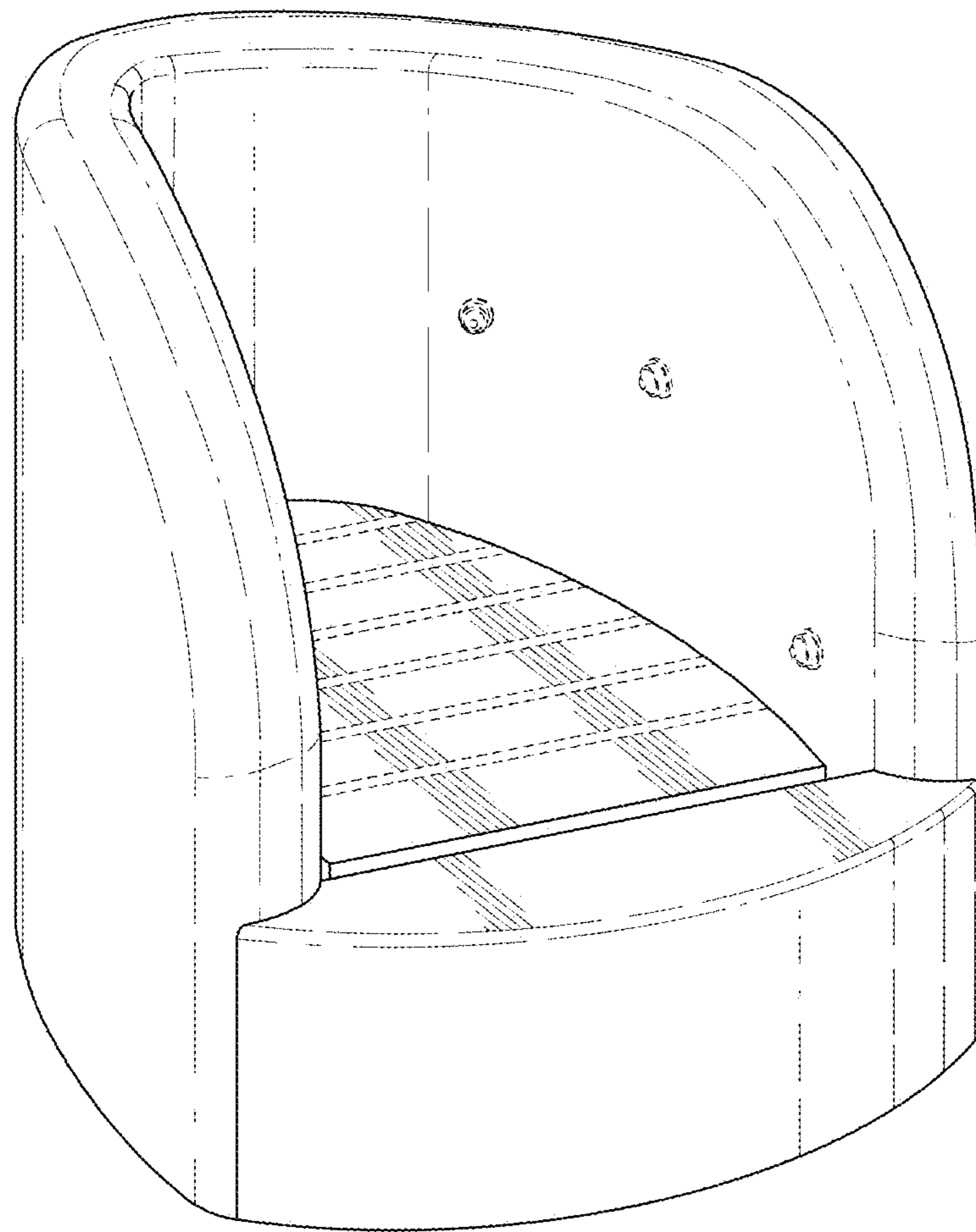
**U.S. PATENT DOCUMENTS**

D26,331	S *	11/1896	Pendergast	.....	D23/271
2,030,687	A *	2/1936	Davis	.....	D23/280.4
3,055,357	A *	9/1962	Redka	.....	D23/270

The broken lines that appear on the drawings form no part of the claimed design and are included for illustrative purposes only.

**1 Claim, 7 Drawing Sheets**





*FIG. 1*

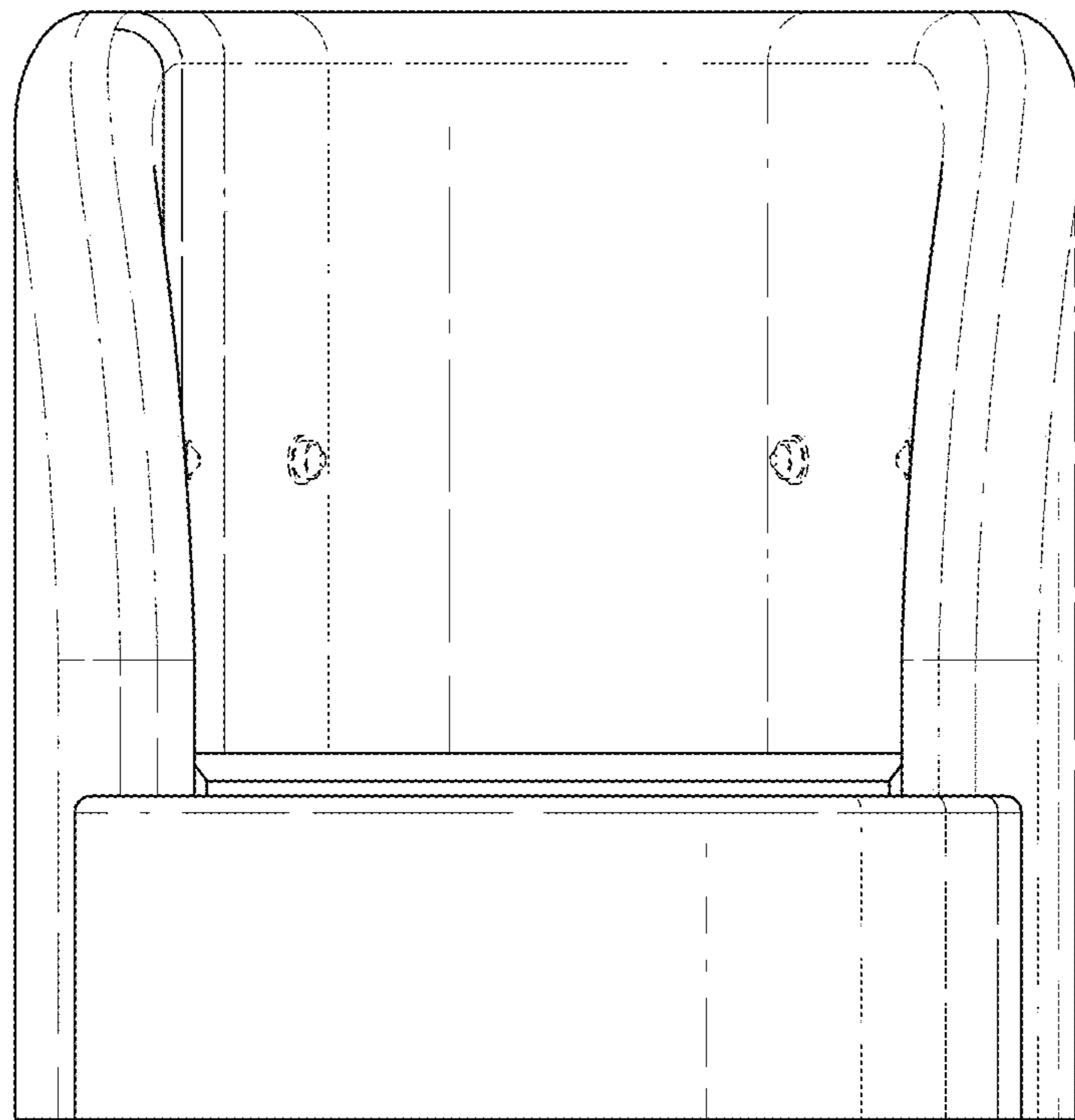
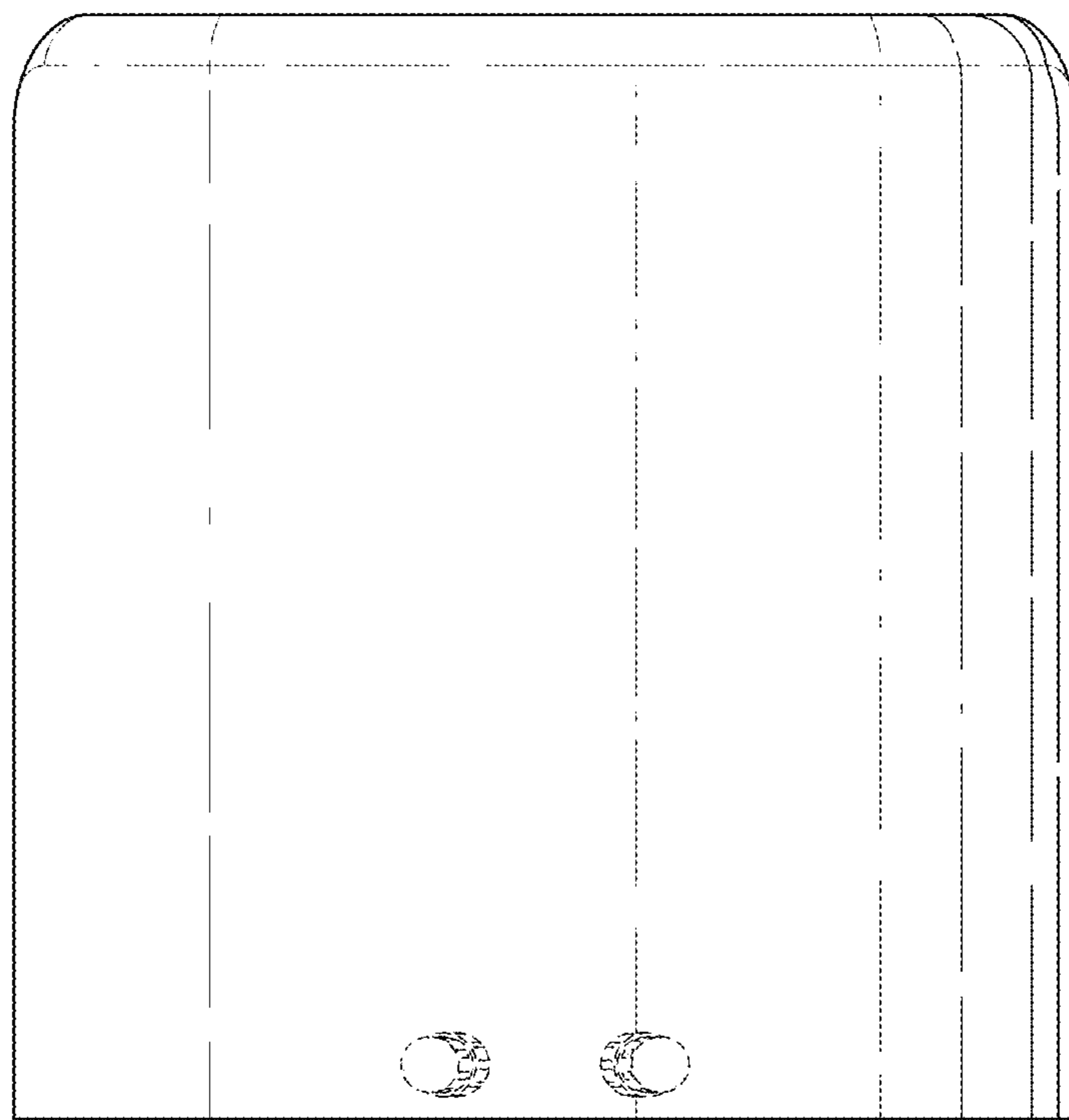
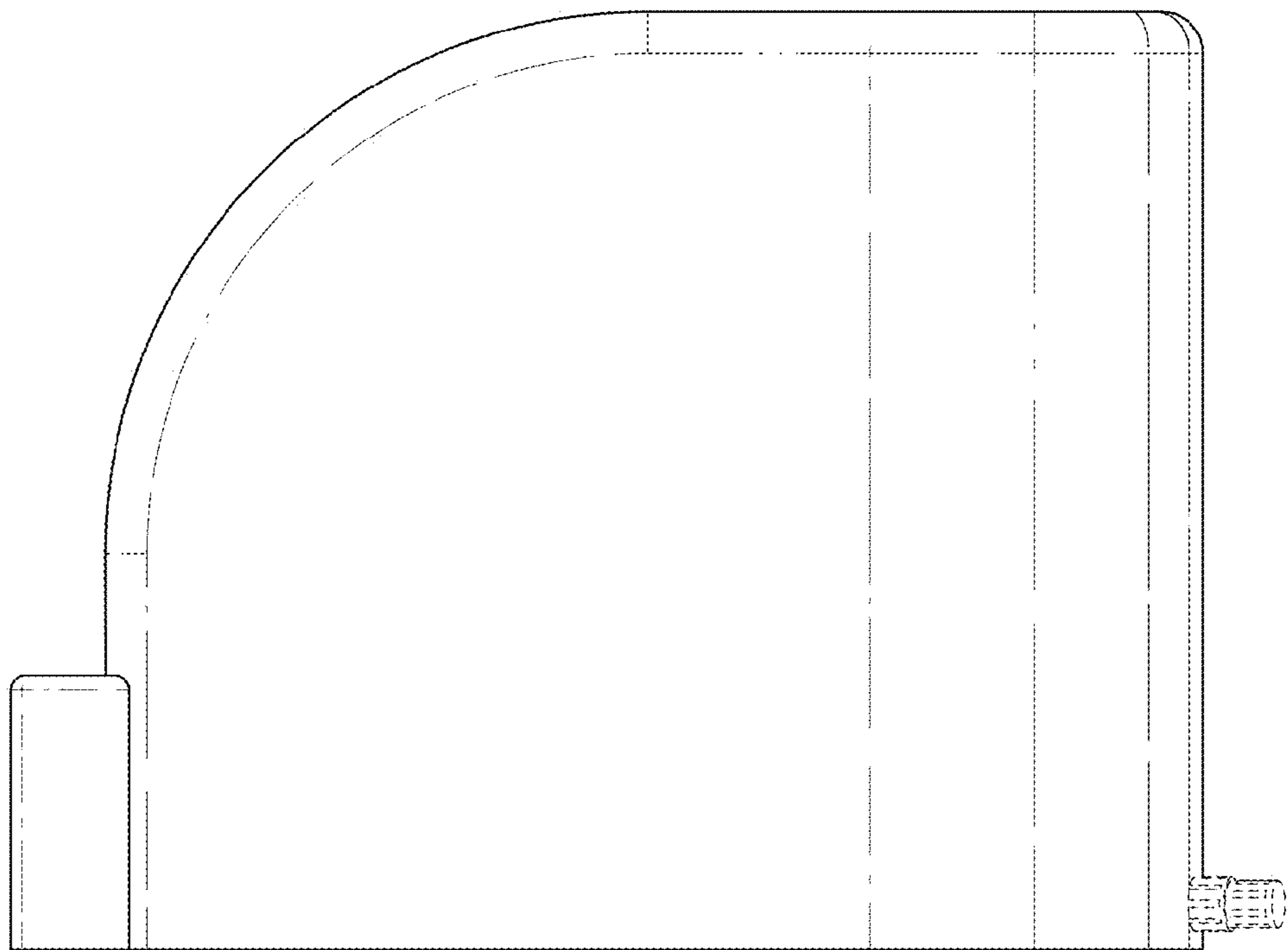


FIG. 2



*FIG. 3*



*FIG. 4*

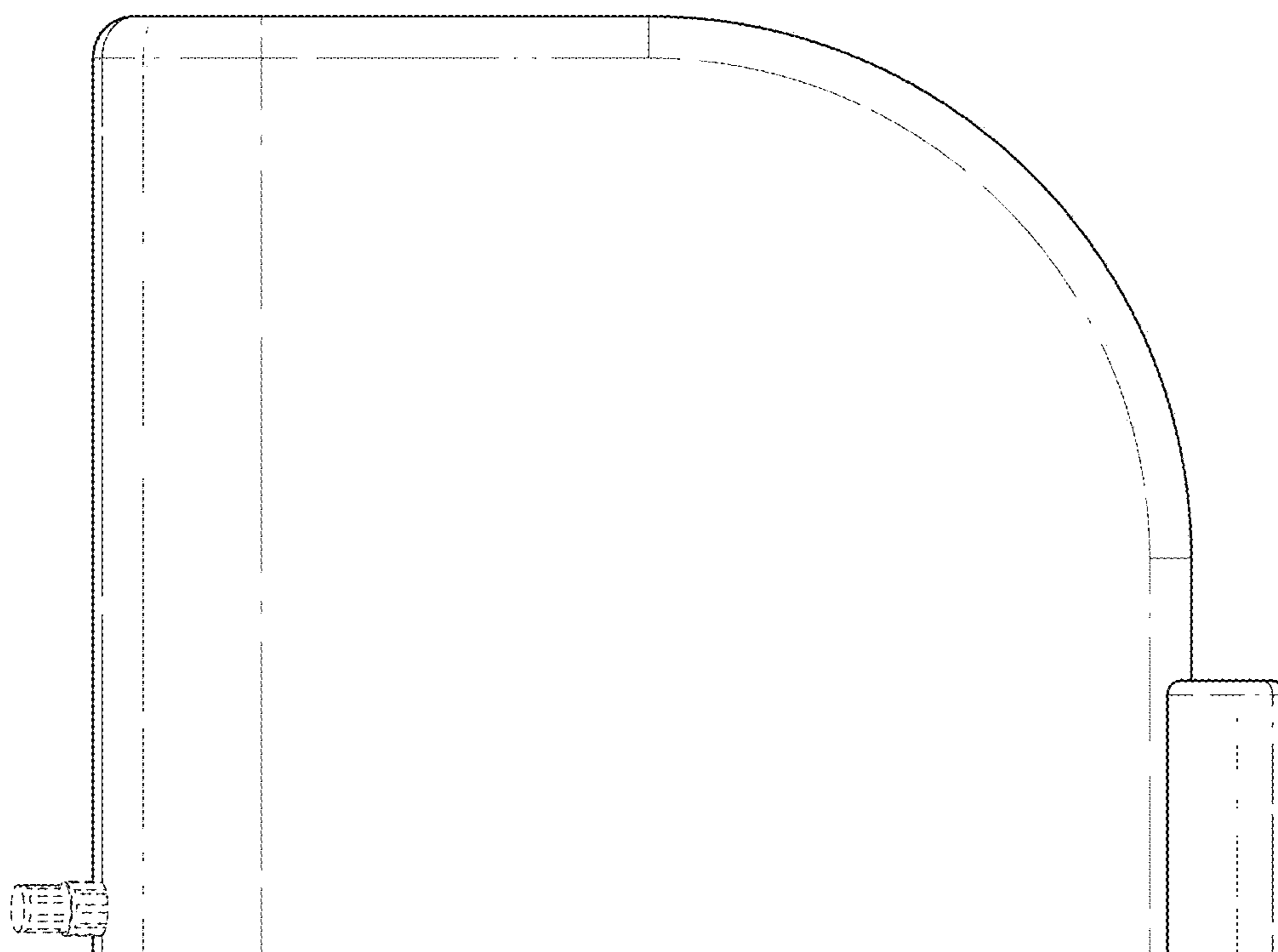


FIG. 5

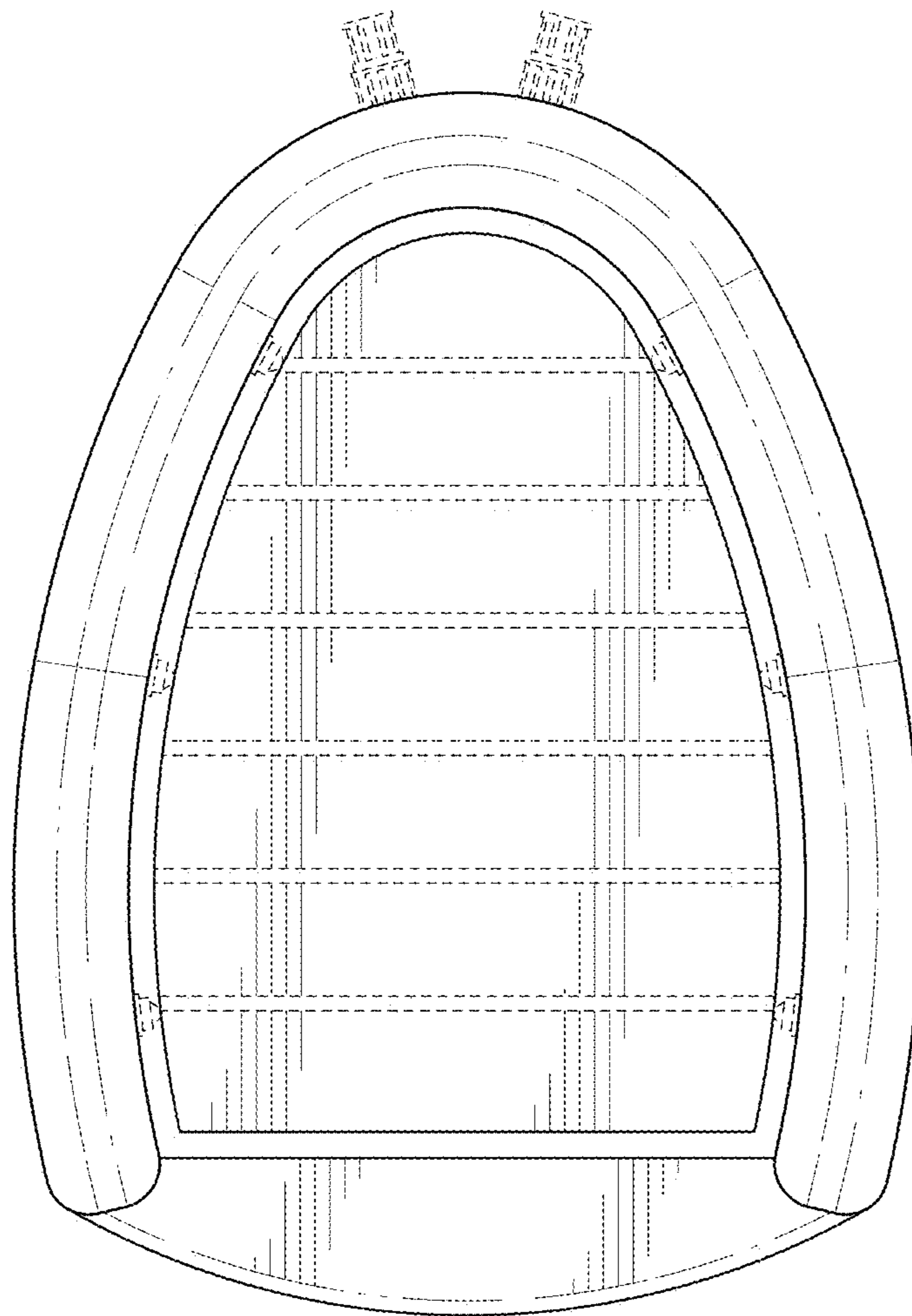
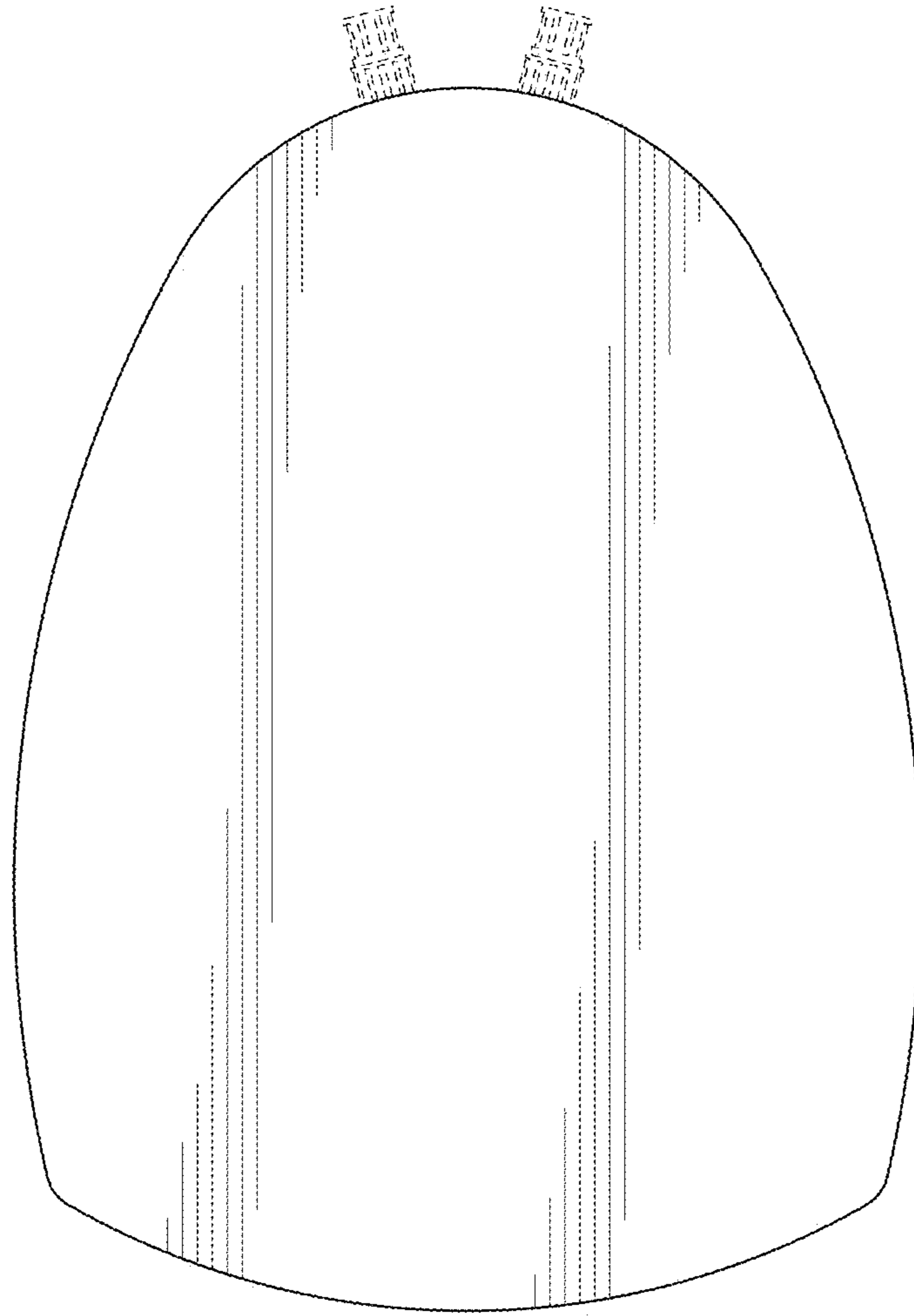


FIG. 6



*FIG. 7*