



US00D739918S

(12) **United States Design Patent**
Brackett, Sr.

(10) **Patent No.:** **US D739,918 S**

(45) **Date of Patent:** **** Sep. 29, 2015**

(54) **FREE FLOATING FISHING DEVICE**

8,635,803 B1 * 1/2014 Cartwright 43/17
D699,811 S * 2/2014 Stafford et al. D22/145
8,739,458 B1 * 6/2014 Michael 43/15

(71) Applicant: **Jerk-It, LLC**, Bekoshe, OK (US)

* cited by examiner

(72) Inventor: **Paul E. Brackett, Sr.**, Van Buren, AR (US)

Primary Examiner — Catheri Oliver-Garcia

(73) Assignee: **Jerk It, LLC**, Bokoshe, OK (US)

(74) *Attorney, Agent, or Firm* — Head, Johnson & Kachigian, P.C.

(**) Term: **14 Years**

(57) **CLAIM**

(21) Appl. No.: **29/489,762**

The ornamental design for a free floating fishing device, as shown and described.

(22) Filed: **May 2, 2014**

DESCRIPTION

(51) **LOC (10) Cl.** **22-05**

(52) **U.S. Cl.**

USPC **D22/146**

(58) **Field of Classification Search**

USPC D22/145–146; D9/644, 655, 657;
43/4.5, 15–17, 17.5, 43.11, 44.88,
43/44.91, 44.92, 44.95

See application file for complete search history.

FIG. 1 is a front elevational view of a free floating fishing device showing the design in use, wherein the broken lines represent the environment in which the design resides and forms to part of the claim;

FIG. 2 is a side elevational view thereof;

FIG. 3 is another side elevational view thereof;

FIG. 4 is another side elevational view thereof;

FIG. 5 is another side elevational view thereof;

FIG. 6 is a top plan view thereof;

FIG. 7 is a bottom plan view thereof; and,

FIG. 8 is a cross-sectional view along line 8-8 of the device shown in FIG. 7.

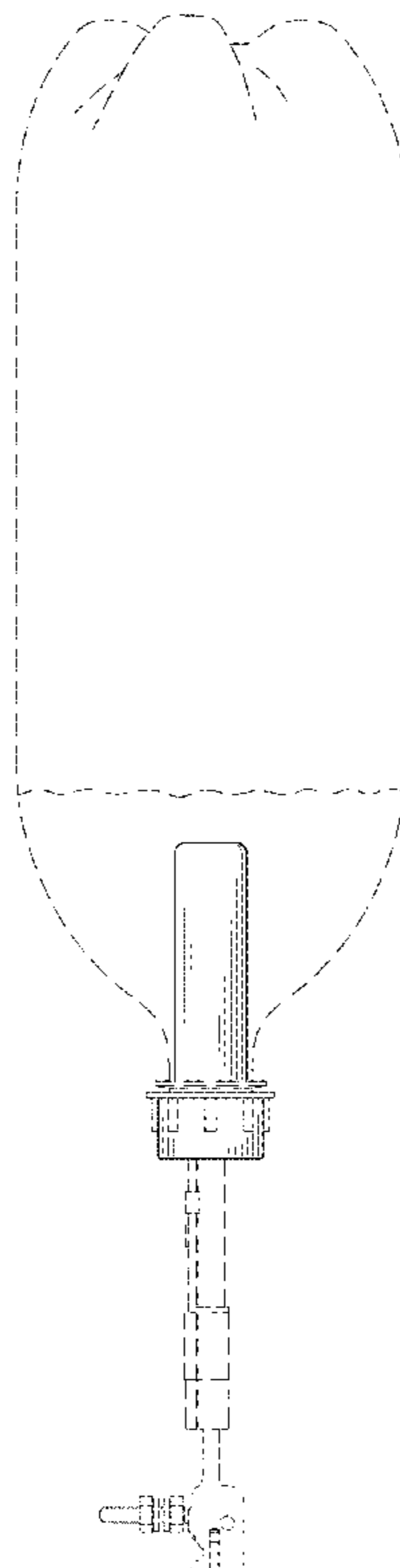
The ornamental design which is claimed is shown in solid lines in the drawings. The broken lines of the drawings are for illustrative purposes only and form no part of the claimed design.

(56) **References Cited**

U.S. PATENT DOCUMENTS

5,207,013 A * 5/1993 Bartok et al. 43/4
D458,663 S * 6/2002 De Frisco D22/146
6,763,629 B1 * 7/2004 Bennett 43/16
7,082,711 B2 * 8/2006 Adams 43/17.5
7,124,534 B1 * 10/2006 Kacir 43/15
D660,399 S * 5/2012 Bennis D22/146
D684,658 S * 6/2013 De Frisco D22/146

1 Claim, 5 Drawing Sheets



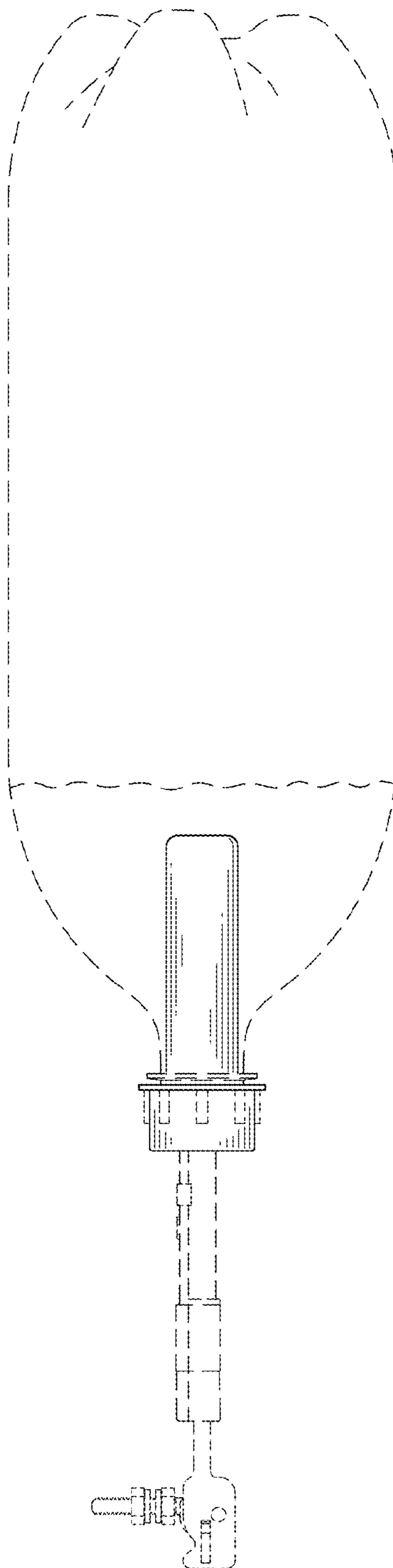


FIG. 1

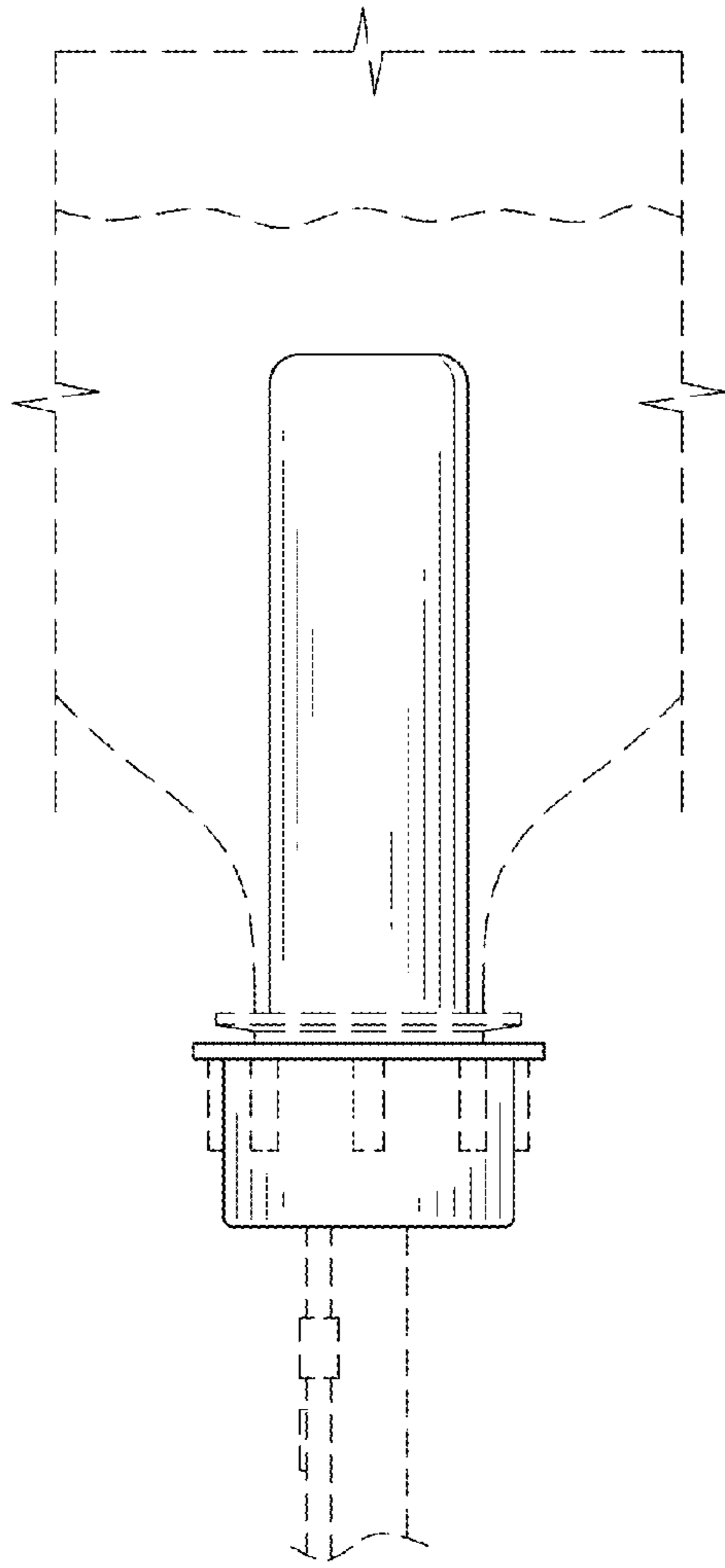


FIG. 2

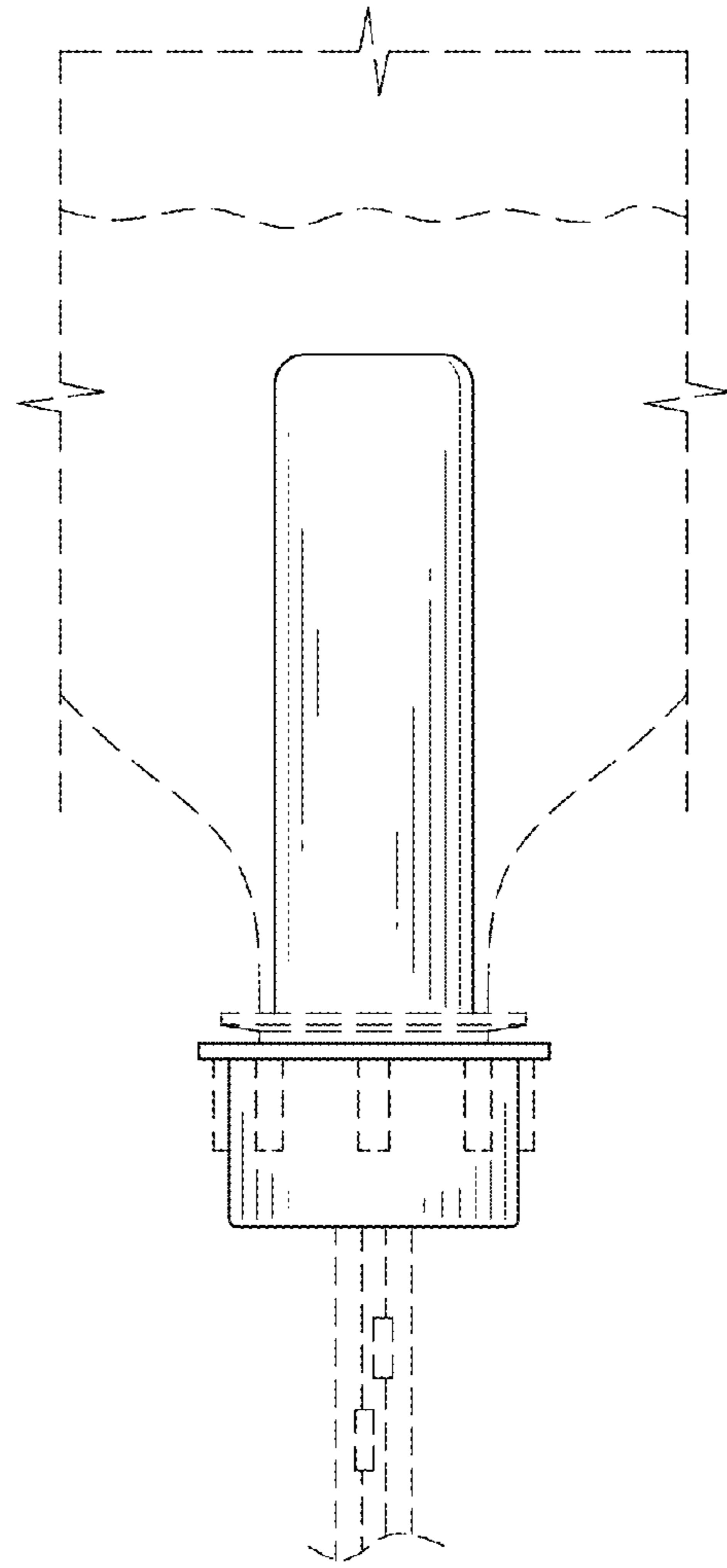


FIG. 3

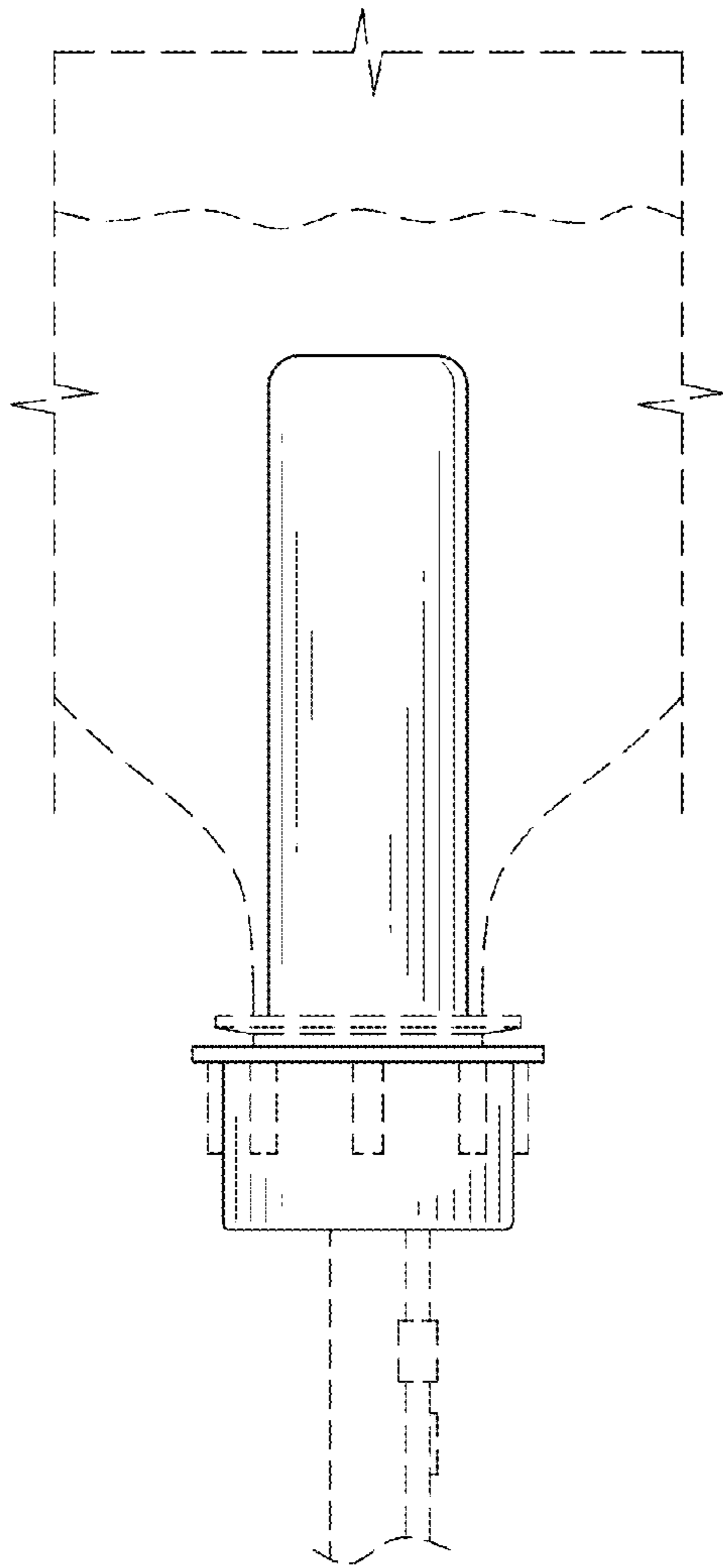


FIG. 4

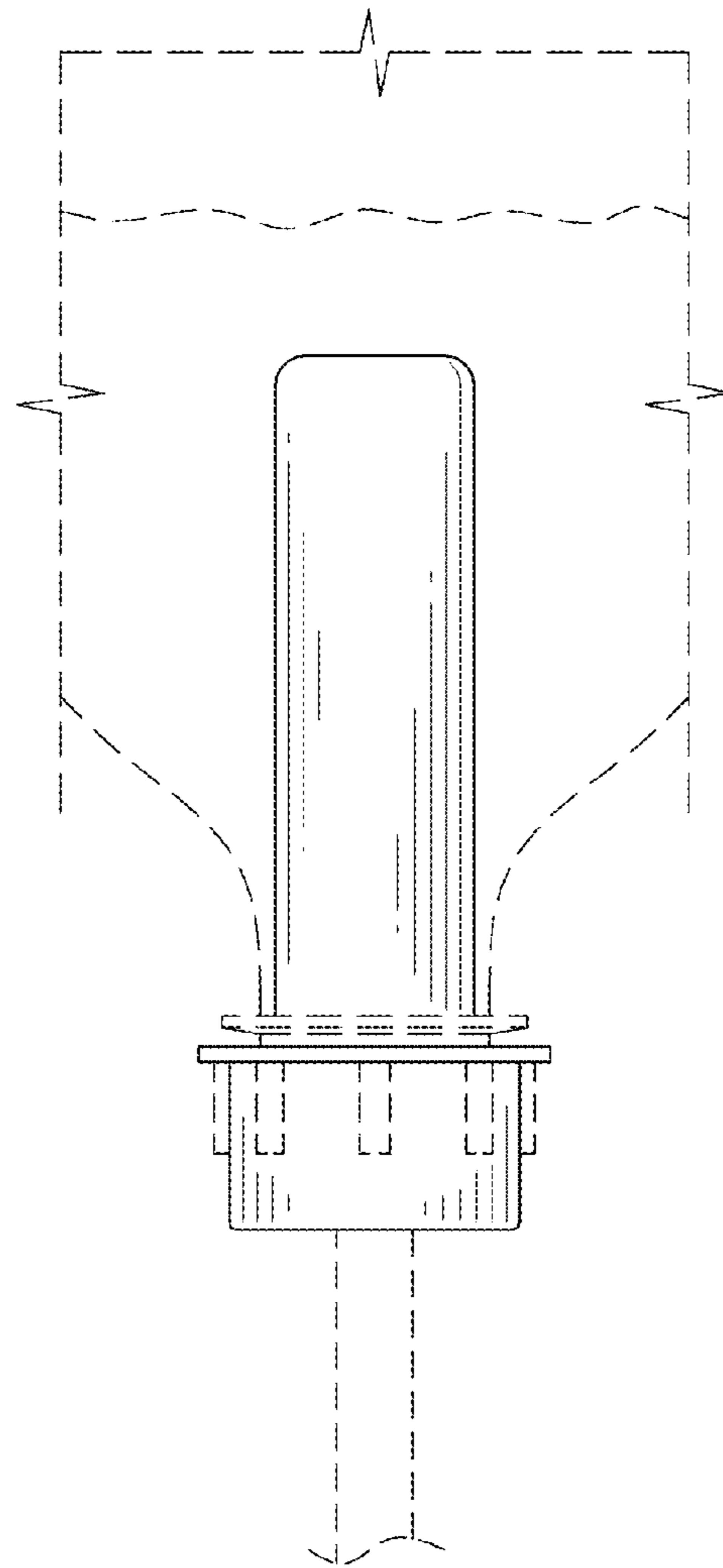


FIG. 5

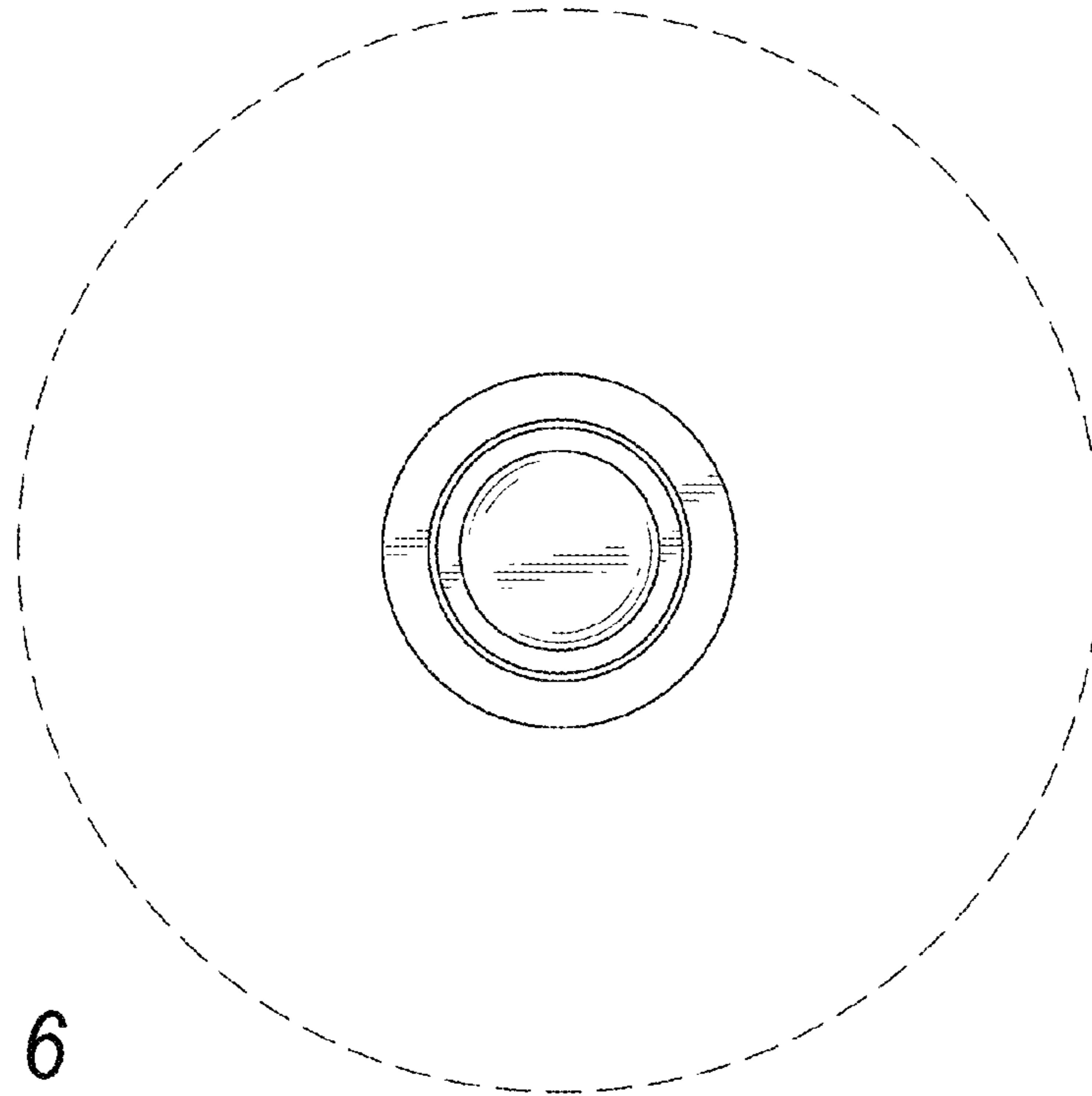


FIG. 6

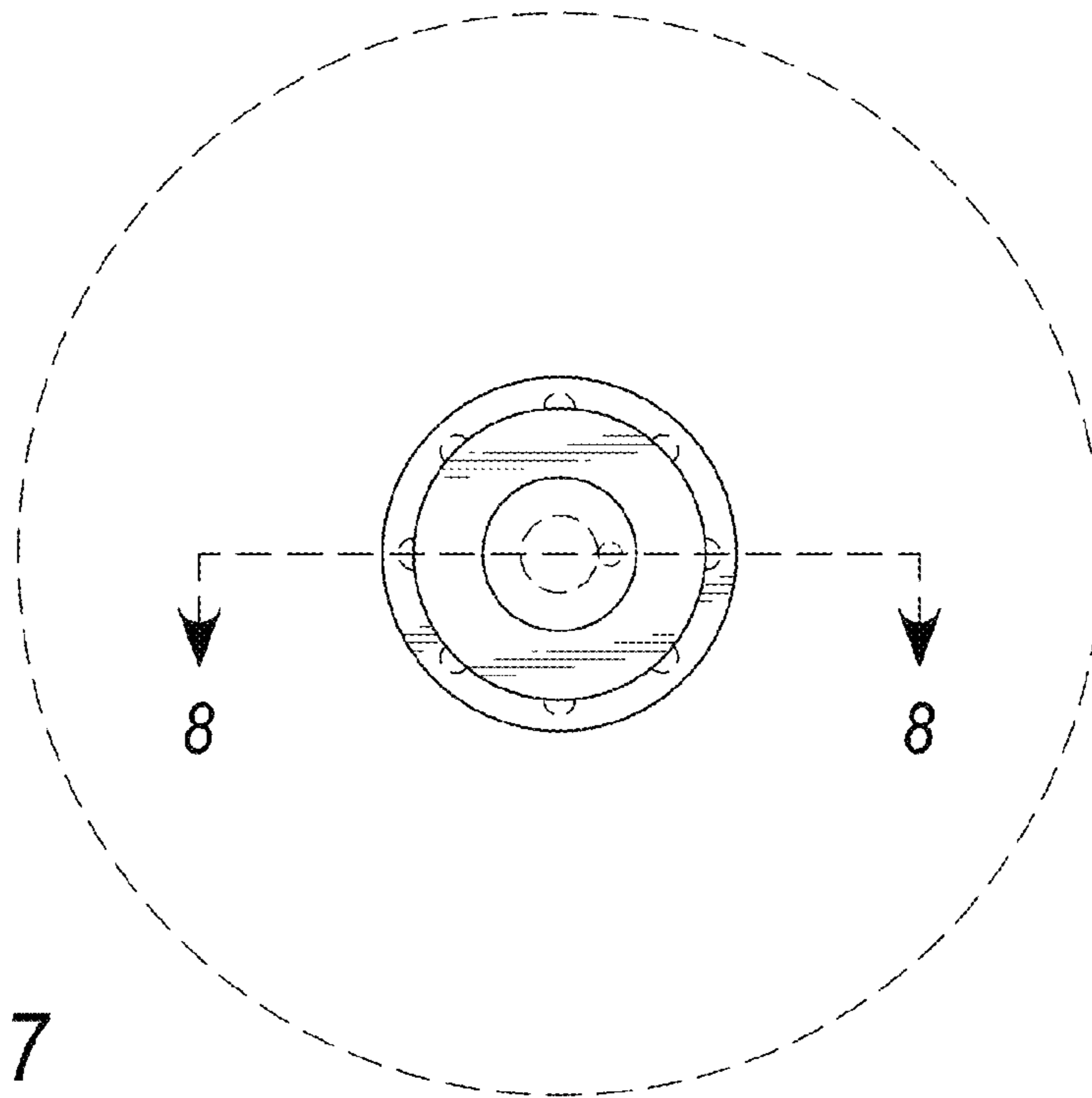


FIG. 7

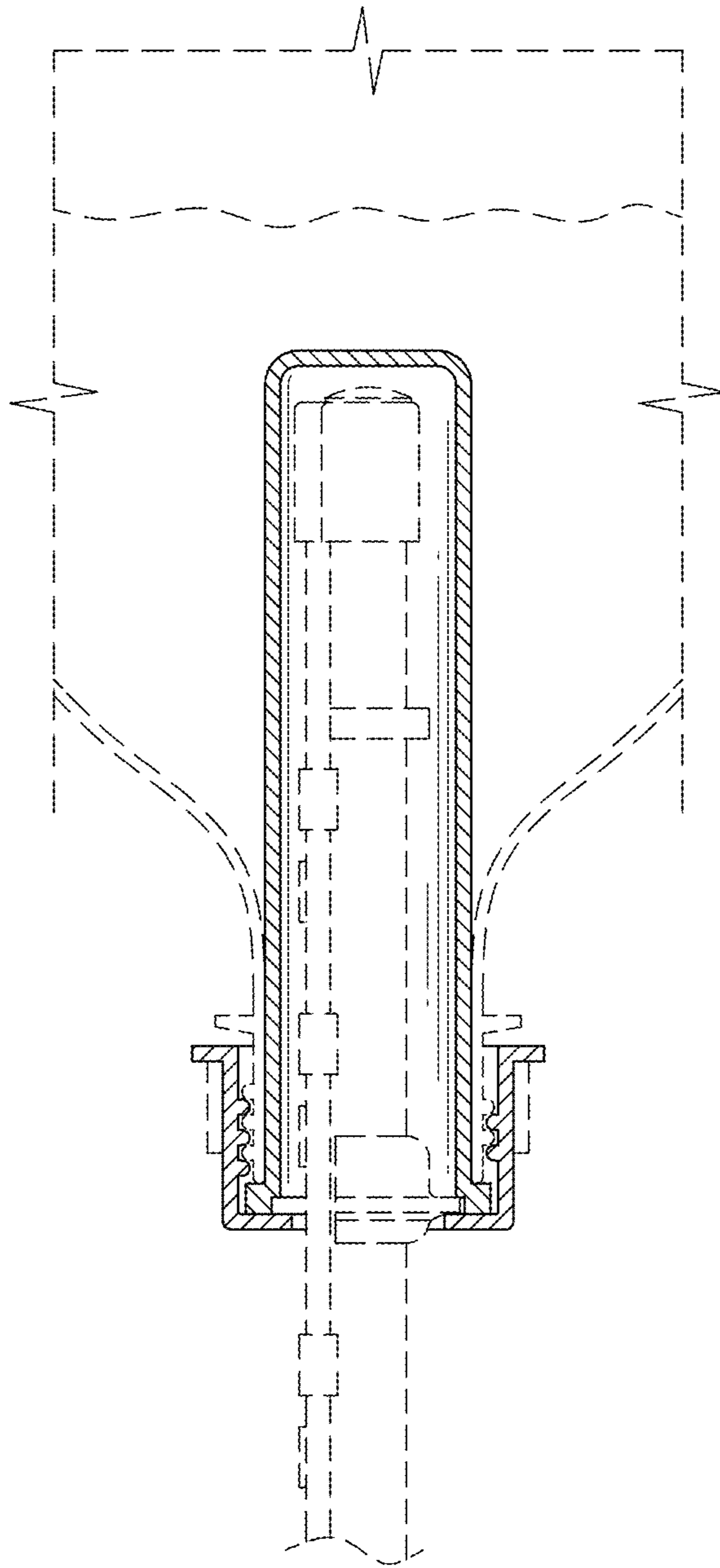


FIG. 8