



US00D739916S

(12) **United States Design Patent**  
**Koppers et al.**

(10) **Patent No.:** **US D739,916 S**

(45) **Date of Patent:** **\*\* Sep. 29, 2015**

(54) **FISHING LURE**

(71) Applicants: **Grant Koppers**, Niagara-On-The-Lake (CA); **Victor J. Cook, Jr.**, Columbus, OH (US)

(72) Inventors: **Grant Koppers**, Niagara-On-The-Lake (CA); **Victor J. Cook, Jr.**, Columbus, OH (US)

(73) Assignee: **Koppers Fishing and Tackle Corp.**, Niagara-on-the-Lake (CA)

(\*\*) Term: **14 Years**

(21) Appl. No.: **29/495,189**

(22) Filed: **Jun. 27, 2014**

(51) **LOC (10) Cl.** ..... **22-05**

(52) **U.S. Cl.**  
USPC ..... **D22/133**

(58) **Field of Classification Search**  
USPC ..... D22/126-133; 43/37, 42.03, 42.06, 43/42.09, 42.24, 42.26, 42.4, 42.38, 42.39, 43/42.48, 46, 44.81

See application file for complete search history.

(56) **References Cited**

U.S. PATENT DOCUMENTS

2,225,676	A	*	12/1940	White	.....	43/42.05
2,878,611	A	*	3/1959	Netherton et al.	.....	43/42.06
D372,955	S	*	8/1996	Gill et al.	.....	D22/128
5,638,631	A	*	6/1997	Guerri et al.	.....	43/42.33
D435,285	S	*	12/2000	Rapala	.....	D22/133
D576,247	S	*	9/2008	Sikes	.....	D22/133
D633,170	S	*	2/2011	Somogyi	.....	D22/133

\* cited by examiner

*Primary Examiner* — Catheri Oliver-Garcia

(74) *Attorney, Agent, or Firm* — WM. Cates Rambo

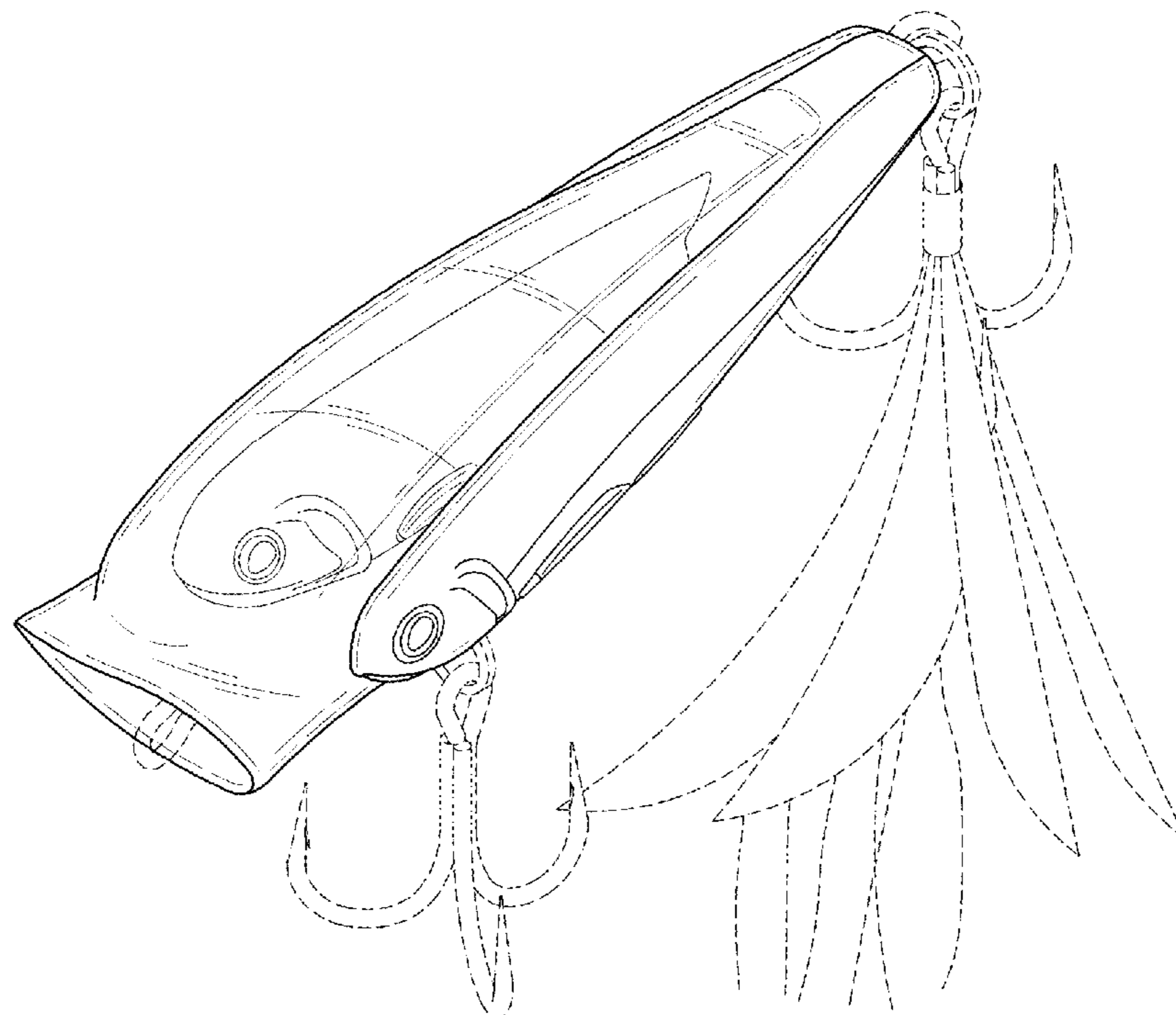
(57) **CLAIM**

The ornamental design for a fishing lure, as shown and described.

**DESCRIPTION**

FIG. 1 is a perspective view of a fishing lure; FIG. 2 is a left side elevational view thereof; FIG. 3 is a right side elevational view thereof; FIG. 4 is a top plan view thereof; FIG. 5 is a bottom plan view thereof; FIG. 6 is a front elevational view thereof; and, FIG. 7 is a rear elevational view thereof. The portions shown in broken lines are included for illustrative purposes only and form no part of the claimed design.

**1 Claim, 3 Drawing Sheets**



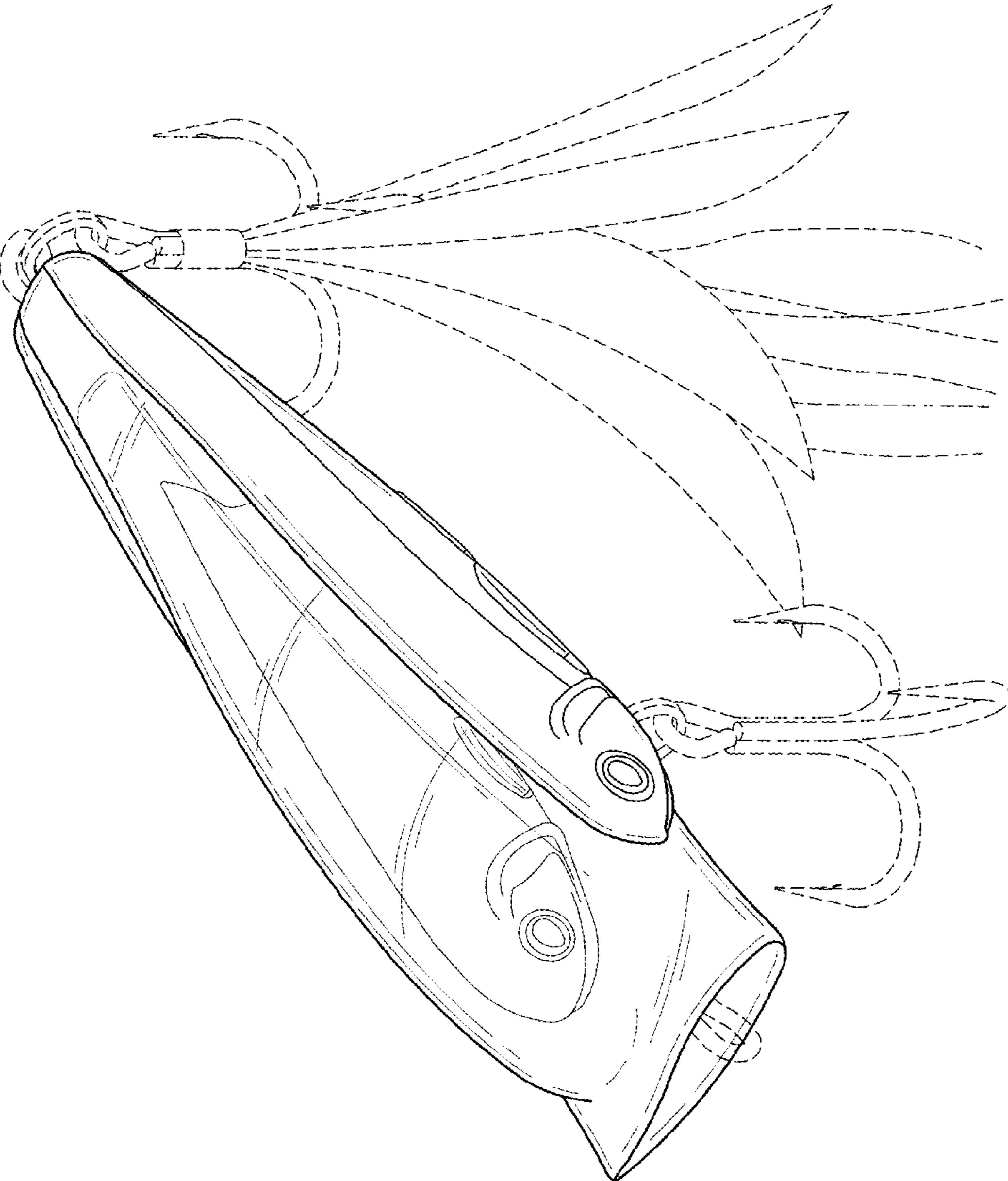


FIG-1

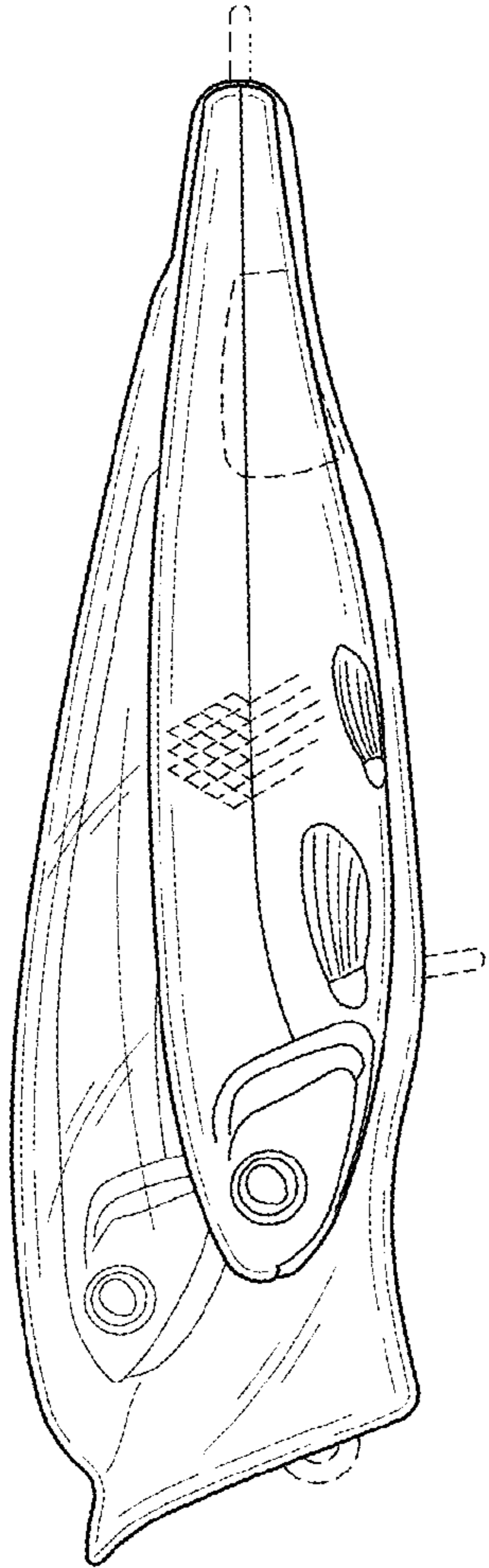


FIG. 2

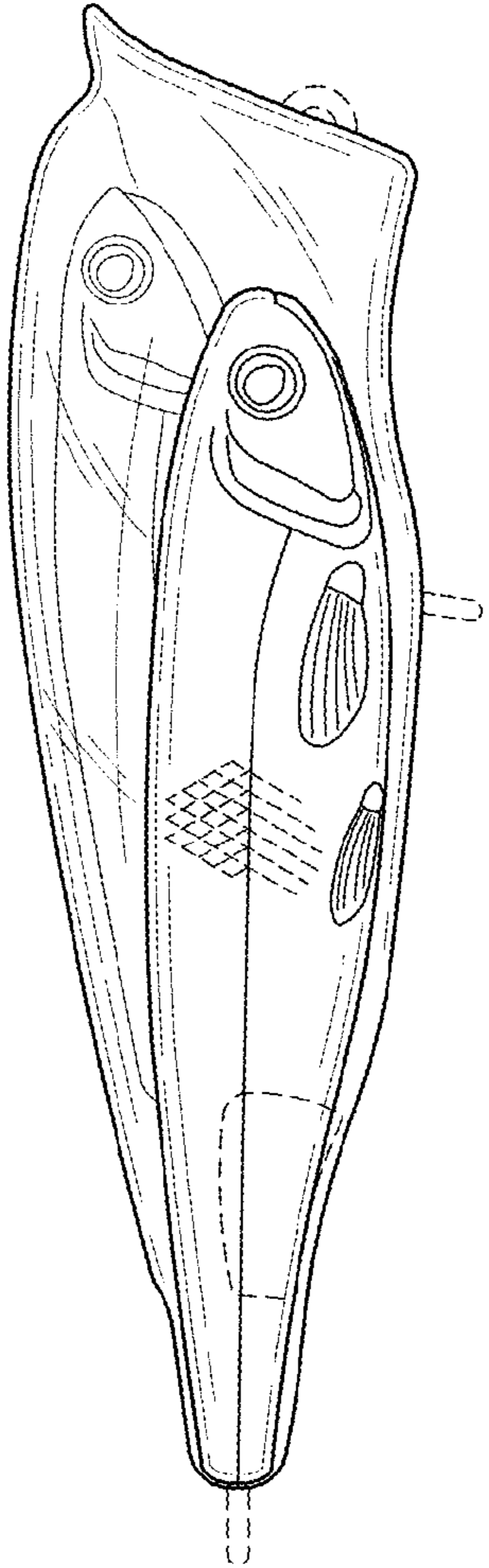


FIG. 3

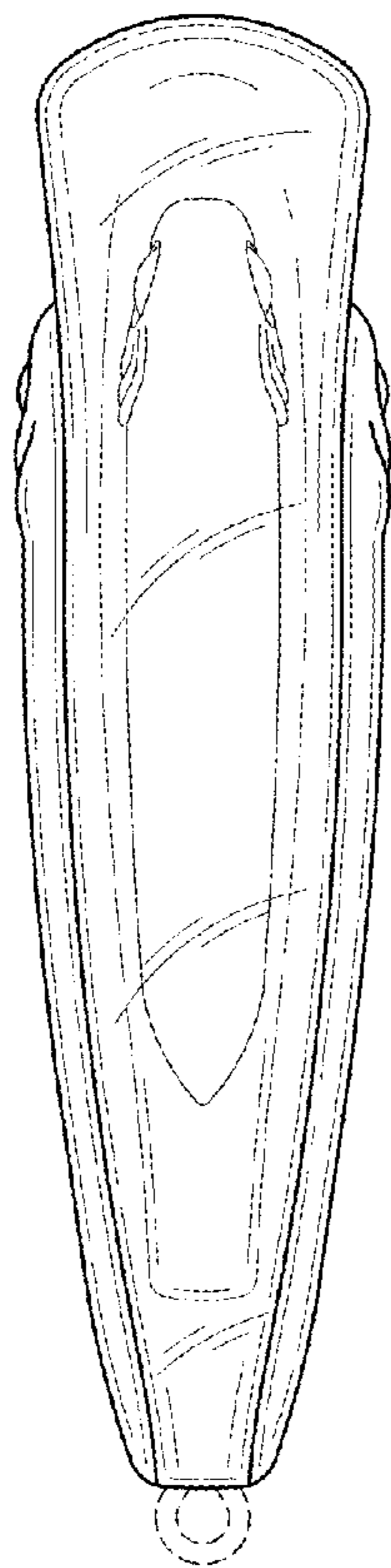


FIG. 4

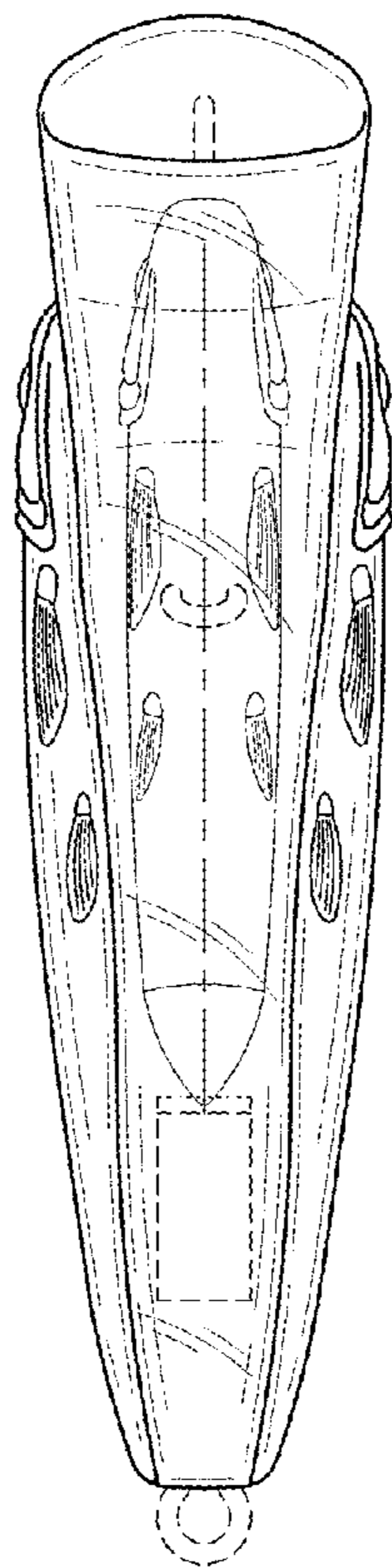


FIG. 5

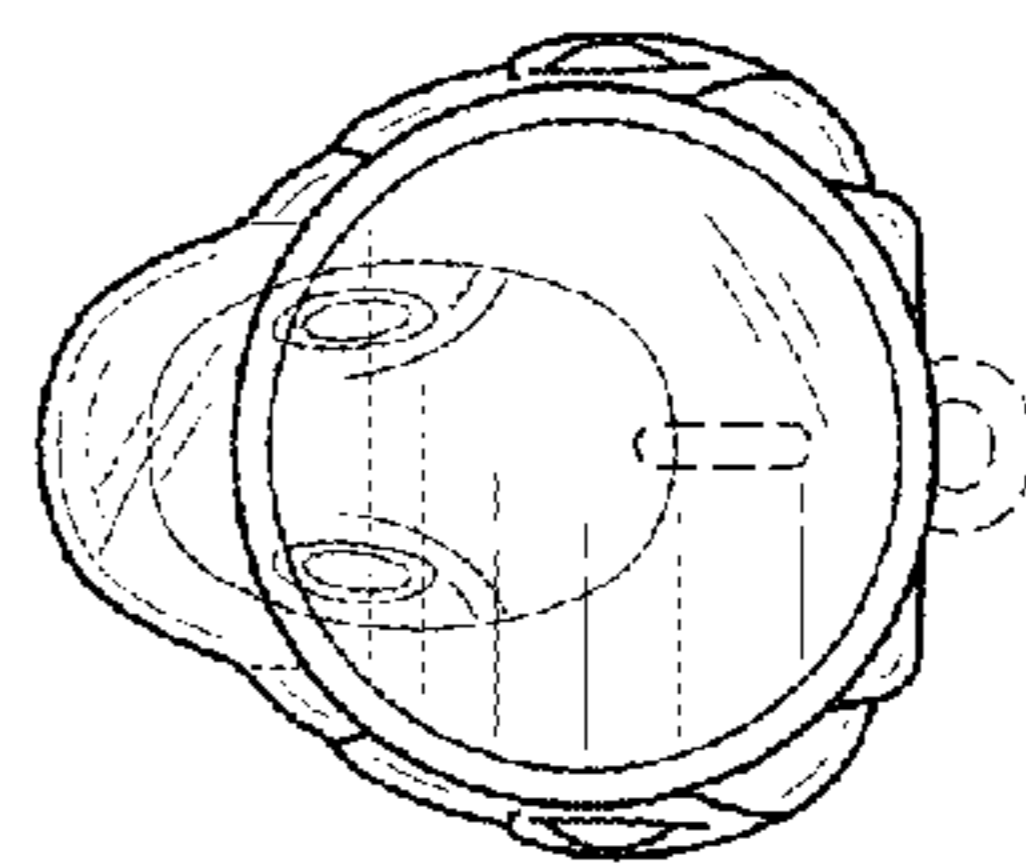


FIG. 6

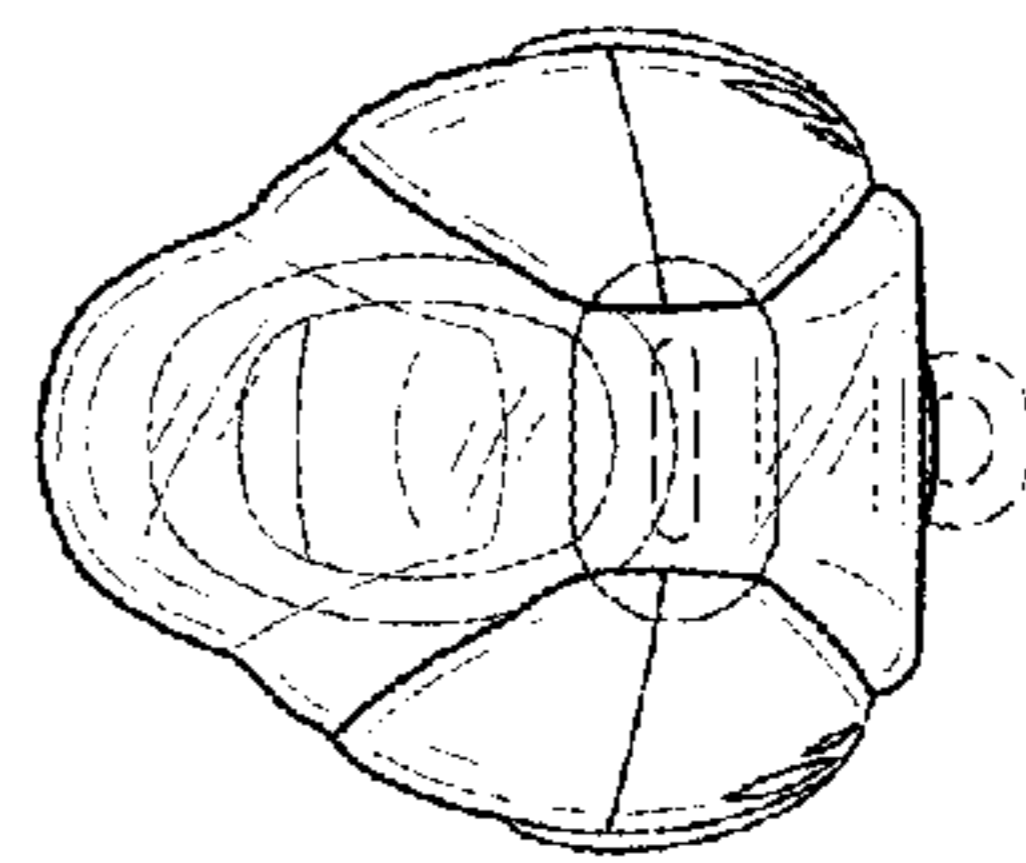


FIG. 7