



US00D739913S

(12) **United States Design Patent**
Nevils et al.

(10) **Patent No.:** **US D739,913 S**
(45) **Date of Patent:** **** Sep. 29, 2015**

- (54) **SIGHTS FOR HANDGUN**
- (71) Applicants: **Jacques A. Nevils**, Fairview, TX (US);
John W. Kieckhefer, Prescott, AZ (US);
Harrison Tobin, Flower Mound, TX (US)
- (72) Inventors: **Jacques A. Nevils**, Fairview, TX (US);
John W. Kieckhefer, Prescott, AZ (US);
Harrison Tobin, Flower Mound, TX (US)

D403,734 S *	1/1999	Kay	D22/108
D432,618 S *	10/2000	Wilson	D22/100
D435,282 S *	12/2000	Ling, Jr.	D22/108
D436,393 S *	1/2001	Ling, Jr.	D22/100
D447,205 S *	8/2001	Keng	D22/100
D492,747 S *	7/2004	LoRocco	D22/109
6,834,457 B1 *	12/2004	Warren	F41G 1/10 42/133
D512,118 S *	11/2005	Warren	D22/109
D512,760 S *	12/2005	Warren	D22/109
D512,761 S *	12/2005	Warren	D22/109
D520,592 S *	5/2006	Warren	D22/109
D534,986 S *	1/2007	Warren	D22/109

(Continued)

(**) Term: **14 Years**

Primary Examiner — Michael A Pratt

(21) Appl. No.: **29/487,903**

(57) **CLAIM**

(22) Filed: **Apr. 14, 2014**

The ornamental design for sights for handgun, as shown and described.

(51) **LOC (10) Cl.** **22-01**

DESCRIPTION

(52) **U.S. Cl.**

USPC **D22/109**

(58) **Field of Classification Search**

USPC D22/108–109; 89/111–133; 359/399,
359/823, 744; 42/104, 105, 111–113, 116,
42/120, 124–126, 127–129, 141–148,
42/133–140; 33/227, 229

CPC F41G 1/00; F41G 1/01; F41G 1/02;
F41G 1/06; F41G 1/065; F41G 1/08; F41G
1/10; F41G 1/12; F41G 1/14; F41G 1/30;
F41G 1/32; F41G 1/38; F41G 1/40; F41G
1/42; F41G 1/44; F41G 1/46; F41G 1/383;
F41G 1/387; F41G 1/393; F41G 3/00; F41G
3/005; F41G 3/02; F41G 3/04; F41G 3/06;
F41G 3/14; F41G 11/002; F41G 11/003;
F41G 11/004; F41G 11/005

See application file for complete search history.

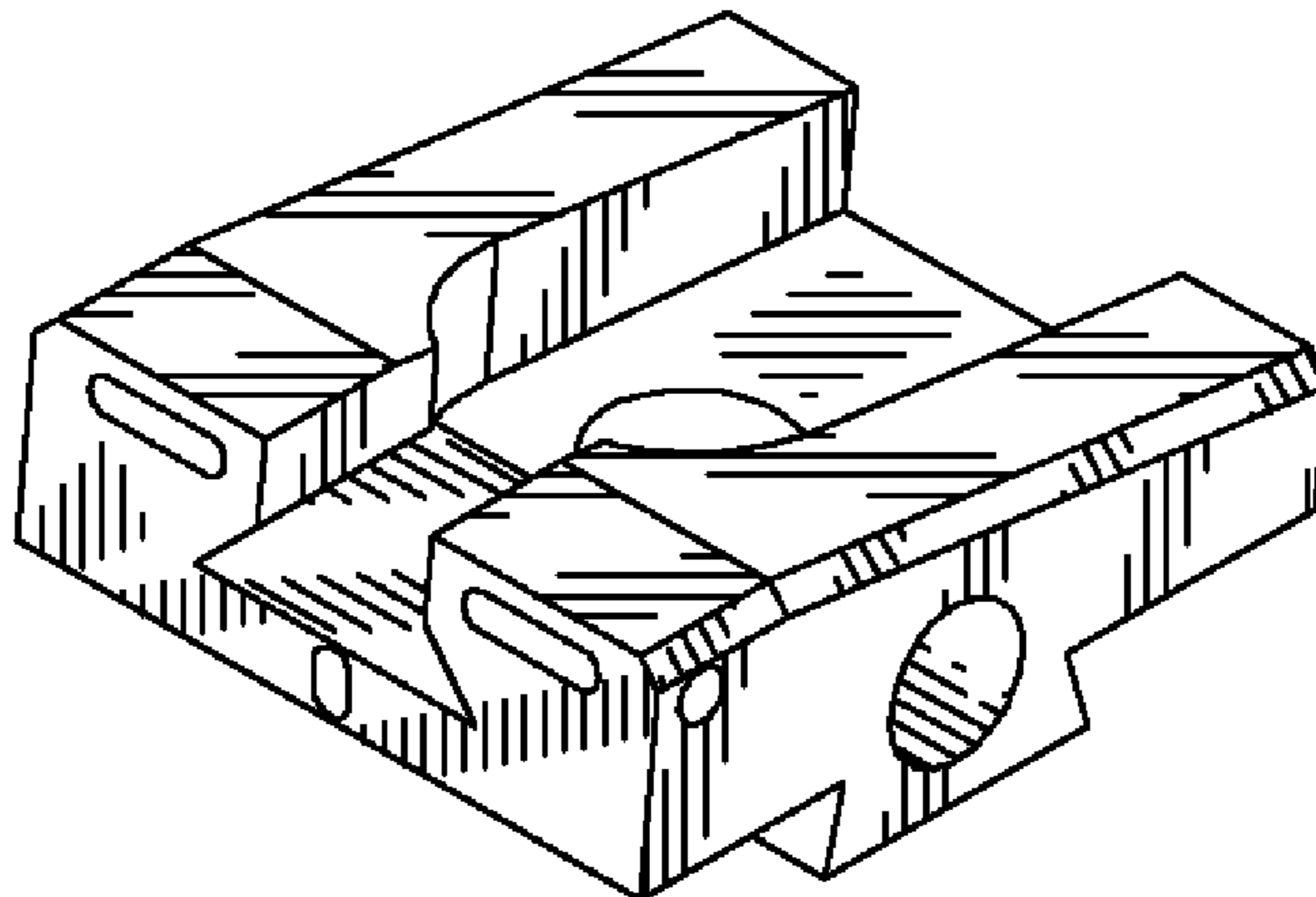
FIG. 1 is an isometric illustration showing the rear, right and top of the rear handgun sight of our new design;
 FIG. 2 is a rear elevation view of the rear handgun sight thereof;
 FIG. 3 is a top view of the rear handgun sight thereof;
 FIG. 4 is a right side elevation view of the rear handgun sight thereof;
 FIG. 5 is an elevation view showing the right side of the rear handgun sight thereof;
 FIG. 6 is a bottom view of the rear handgun sight thereof;
 FIG. 7 is an isometric illustration showing the rear, left and top of the front handgun sight of our new design;
 FIG. 8 is a rear elevation view of the front handgun sight thereof;
 FIG. 9 is a front elevation view of the front handgun sight thereof;
 FIG. 10 is a right side elevation view of the front handgun sight thereof;
 FIG. 11 is a left side elevation view of the front handgun sight thereof; and,
 FIG. 12 is a bottom view of the front handgun sight thereof.

(56) **References Cited**

U.S. PATENT DOCUMENTS

D301,512 S *	6/1989	Novak	D22/109
D305,146 S *	12/1989	Novak	D22/109
D305,561 S *	1/1990	Novak	D22/109
D351,449 S *	10/1994	Dagley	D22/109

1 Claim, 2 Drawing Sheets



(56)

References Cited

U.S. PATENT DOCUMENTS

D638,902 S * 5/2011 Emde D22/109
D662,170 S * 6/2012 Keng D22/109
D663,375 S * 7/2012 Glimpse D22/109

D667,522 S * 9/2012 Glimpse D22/109
D667,523 S * 9/2012 Glimpse D22/109
D667,524 S * 9/2012 Glimpse D22/109
D667,525 S * 9/2012 Glimpse D22/109
D679,359 S * 4/2013 Adock, Jr. D22/108

* cited by examiner

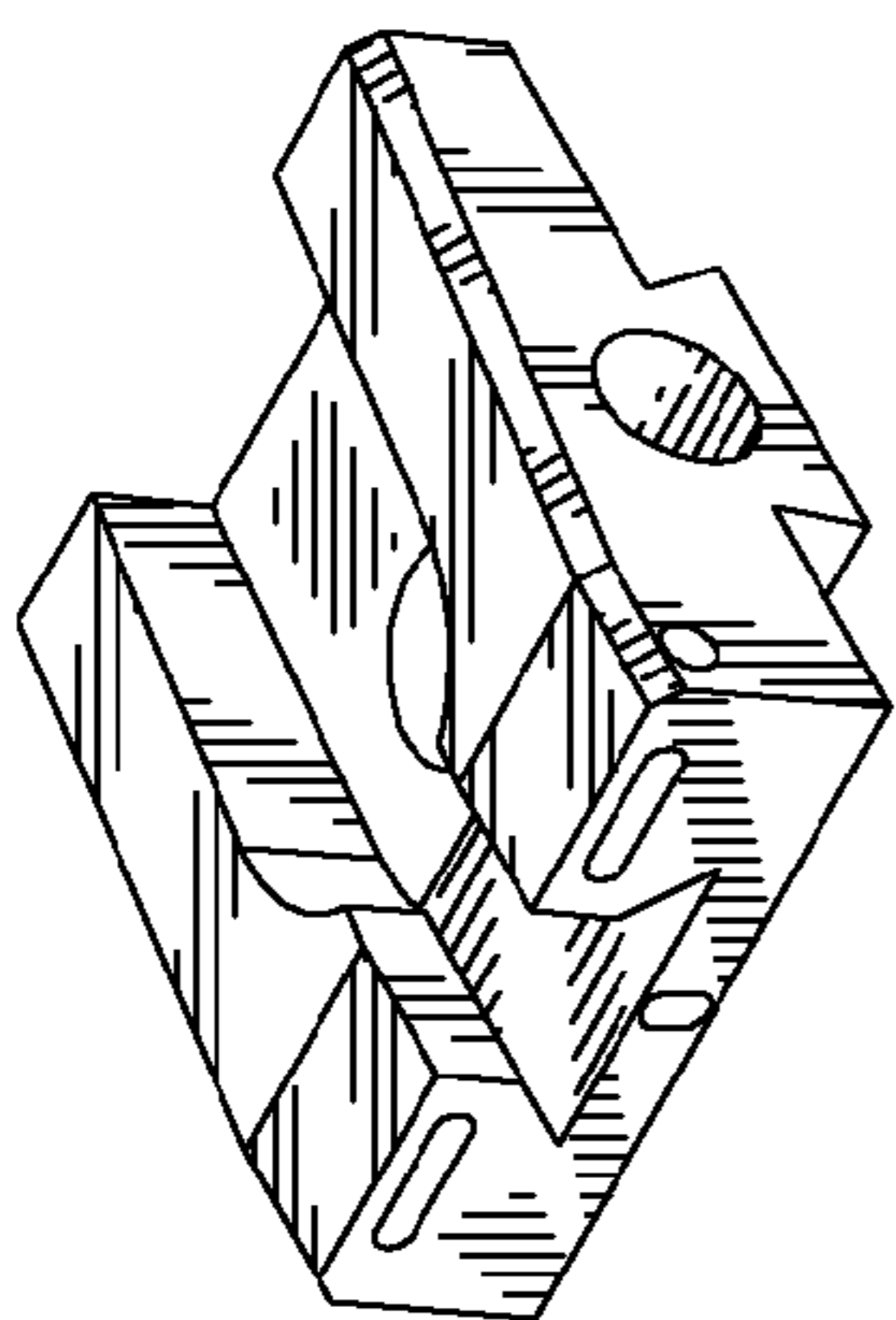


FIG. 1

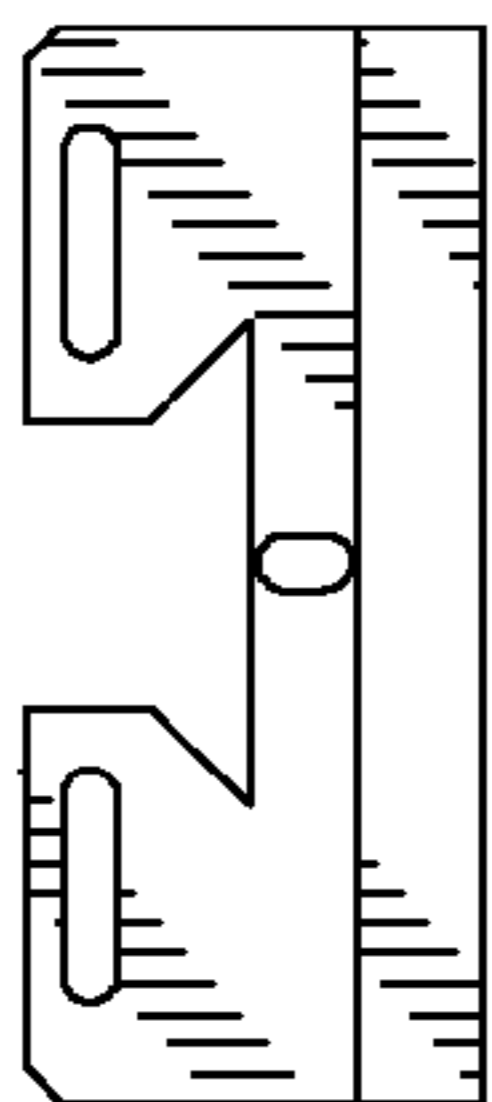


FIG. 2

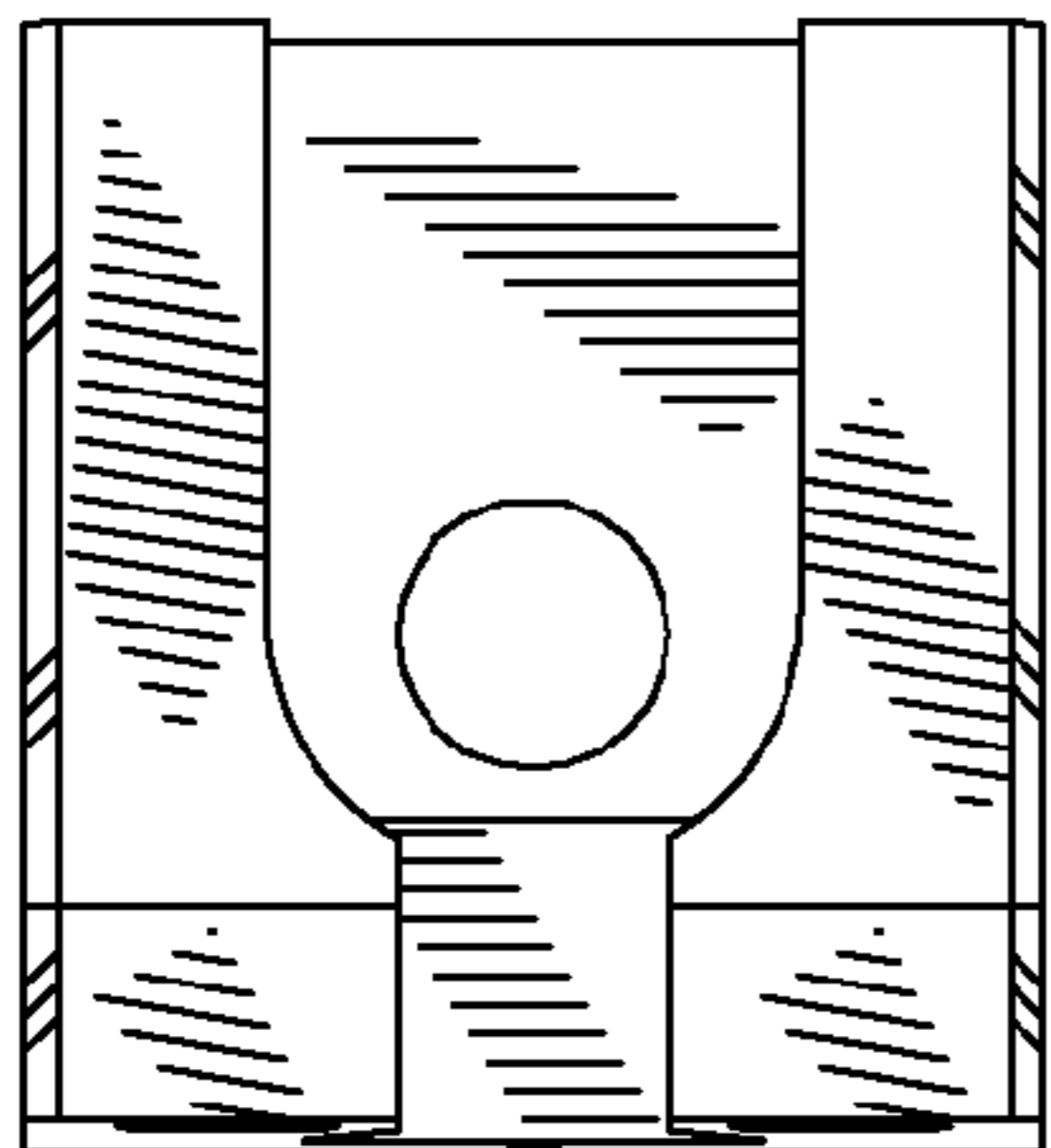


FIG. 3

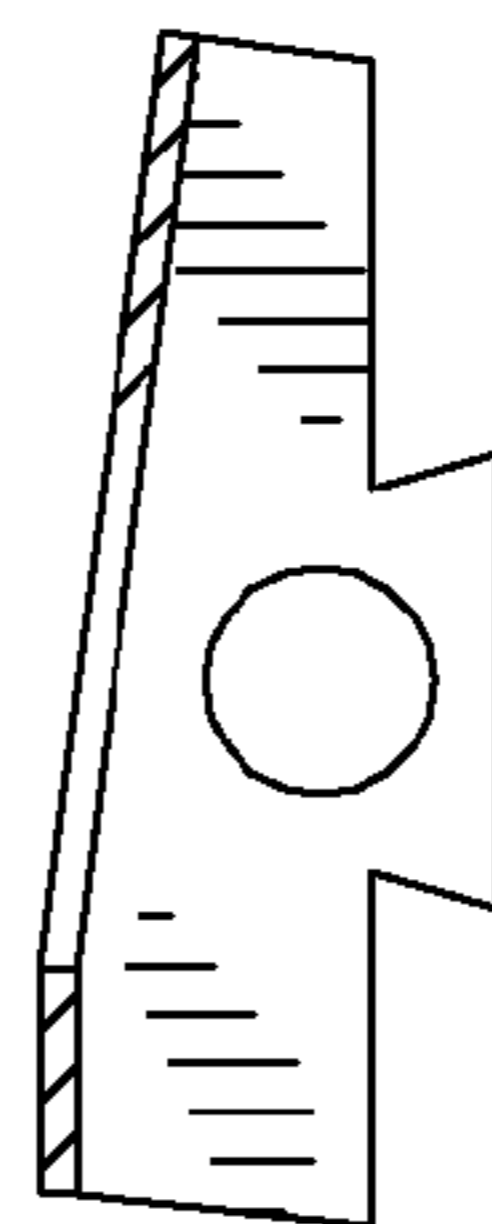


FIG. 4

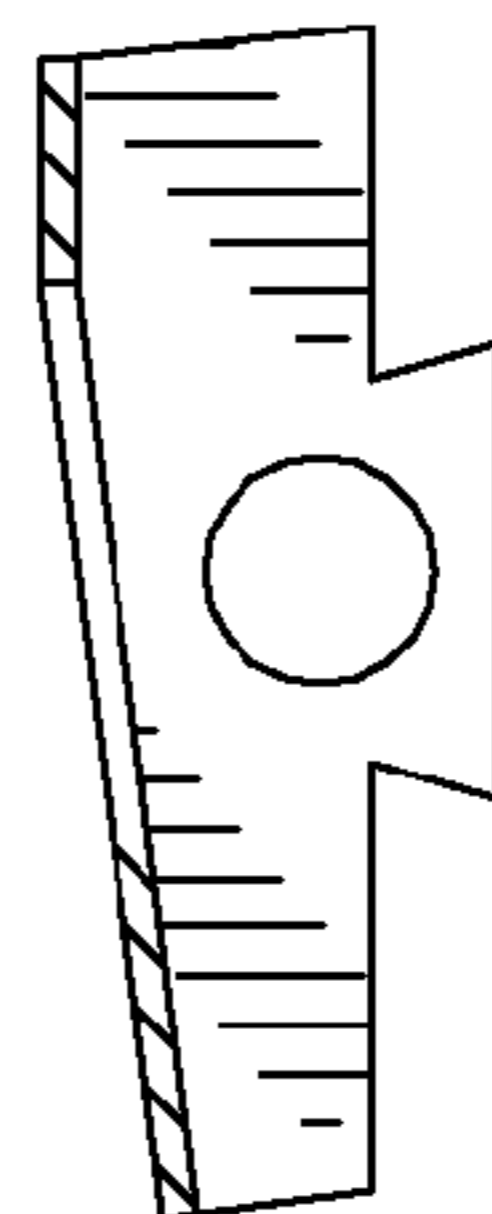


FIG. 5

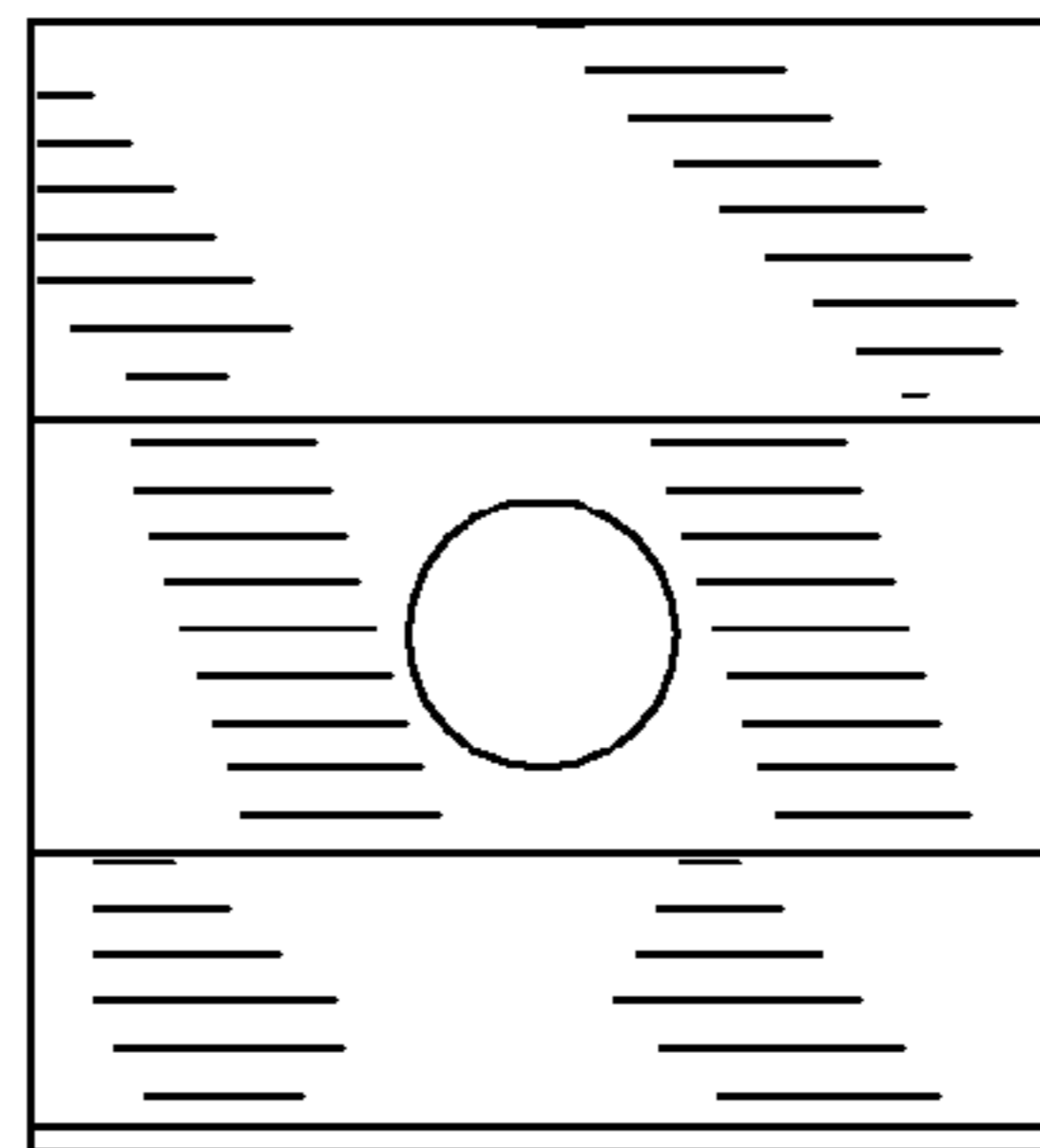


FIG. 6

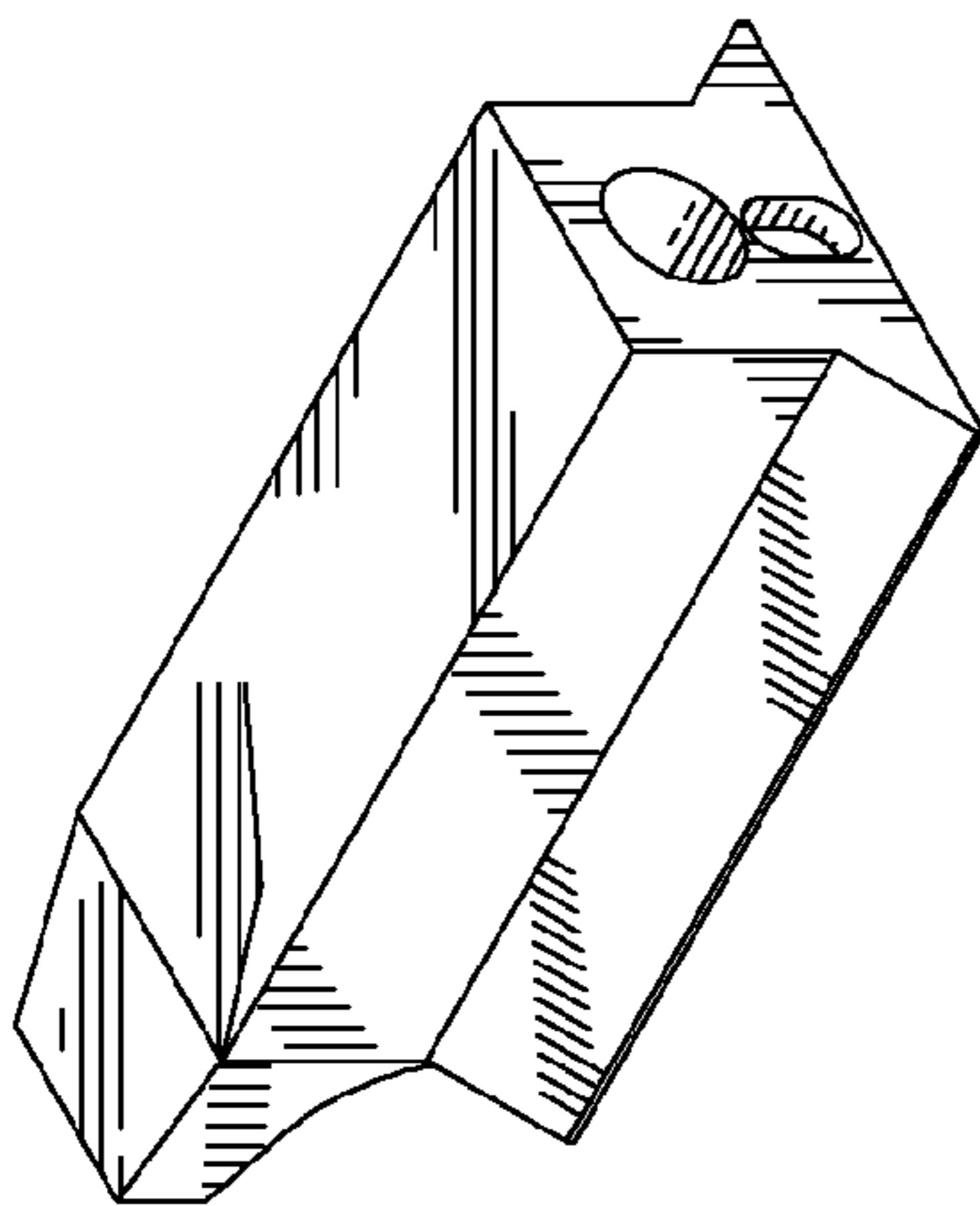


FIG. 7

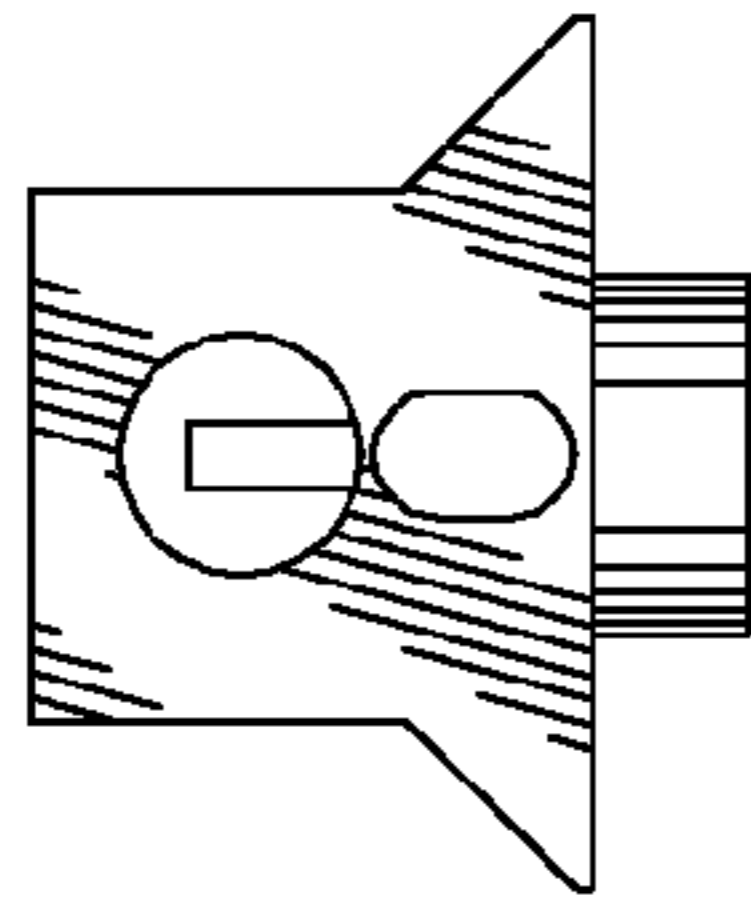


FIG. 8

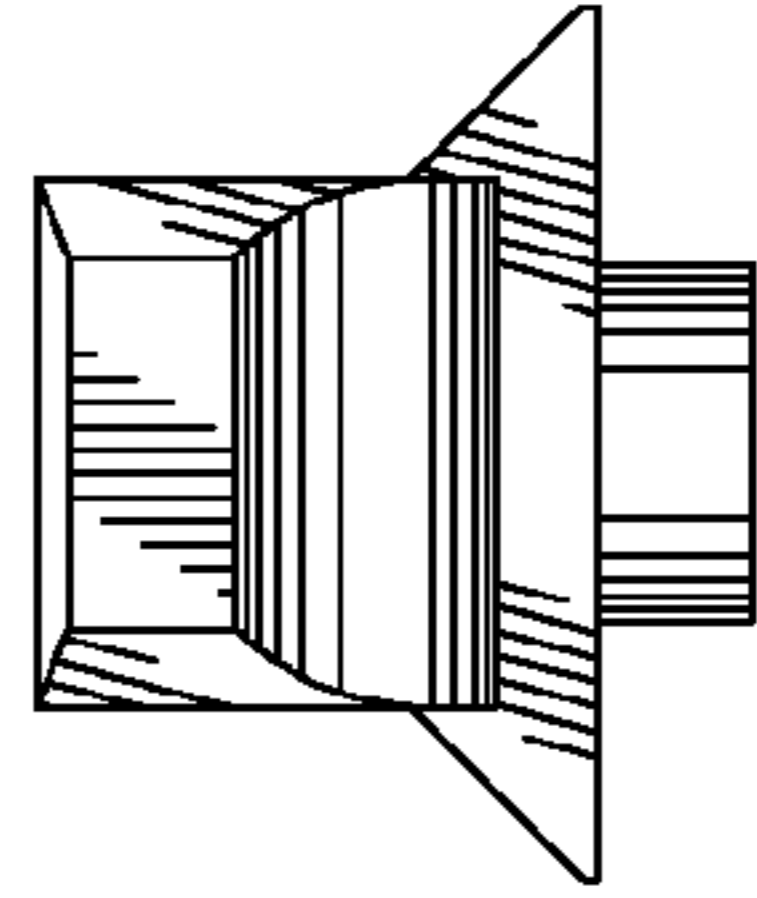


FIG. 9

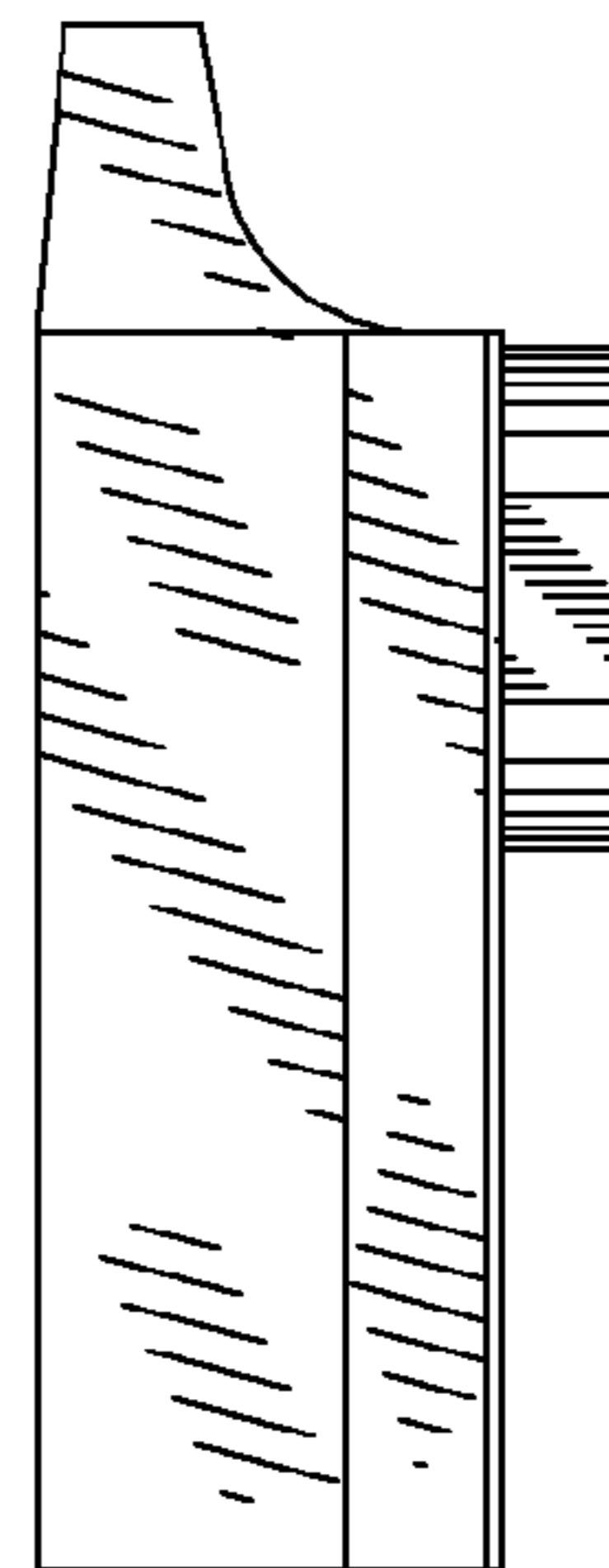


FIG. 10

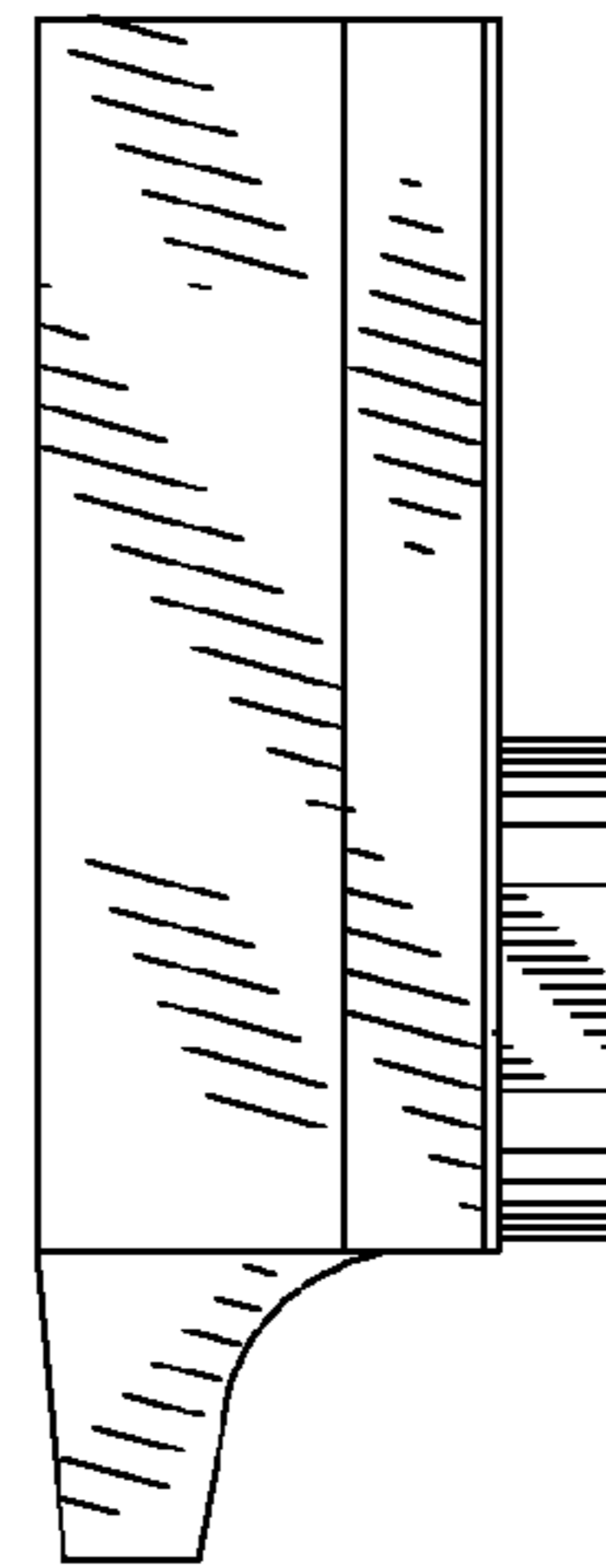


FIG. 11

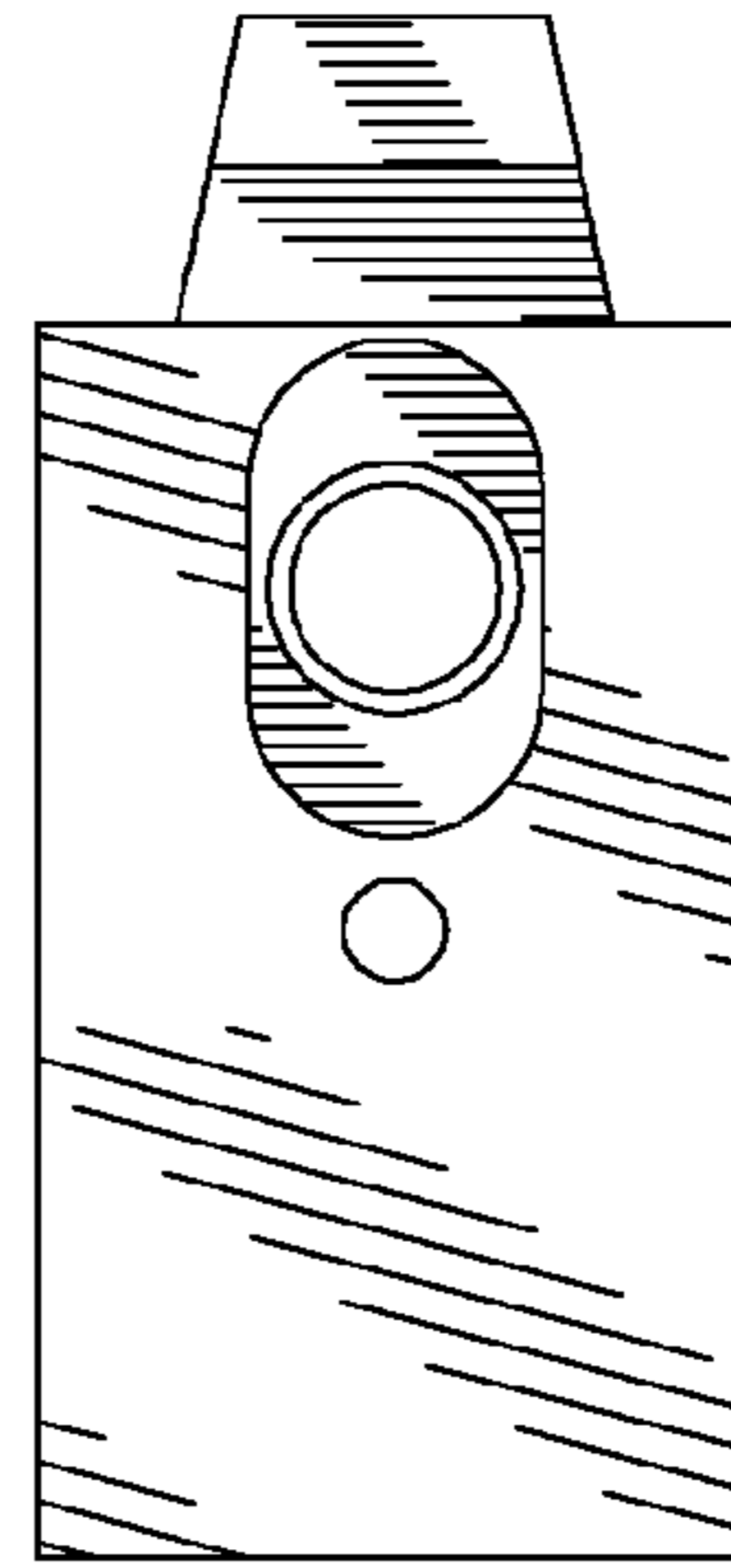


FIG. 12