



US00D739907S

(12) **United States Design Patent**
Ross

(10) **Patent No.:** **US D739,907 S**
(45) **Date of Patent:** **** Sep. 29, 2015**

(54) **BILLIARD RACK**

(71) Applicant: **Michael J. Ross**, Lagrange, OH (US)

(72) Inventor: **Michael J. Ross**, Lagrange, OH (US)

(**) Term: **14 Years**

(21) Appl. No.: **29/506,097**

(22) Filed: **Oct. 13, 2014**

(51) **LOC (10) Cl.** **21-01**

(52) **U.S. Cl.**
USPC **D21/781**

(58) **Field of Classification Search**
USPC D21/782-784, 385; 473/1, 40, 41;
206/315.1

CPC A63D 15/00
See application file for complete search history.

7,188,737	B2	3/2007	McCormick et al.	
D577,790	S	9/2008	Yovanovich et al.	
D578,407	S *	10/2008	Chewning et al.	D9/560
7,448,954	B1	11/2008	Reynolds	
D588,669	S *	3/2009	Taggart et al.	D21/782
D595,383	S *	6/2009	Taggart et al.	D21/782
7,666,105	B2	2/2010	Ball et al.	
7,731,596	B1	6/2010	Yovanovich et al.	
7,785,209	B1	8/2010	Targosz et al.	
8,181,776	B2	5/2012	Taggart et al.	

* cited by examiner

Primary Examiner — Prabhakar Deshmukh

(74) *Attorney, Agent, or Firm* — Ralph E. Jocke; Walker & Jocke

(57) **CLAIM**
The ornamental design for a billiard rack, as shown and described.

DESCRIPTION

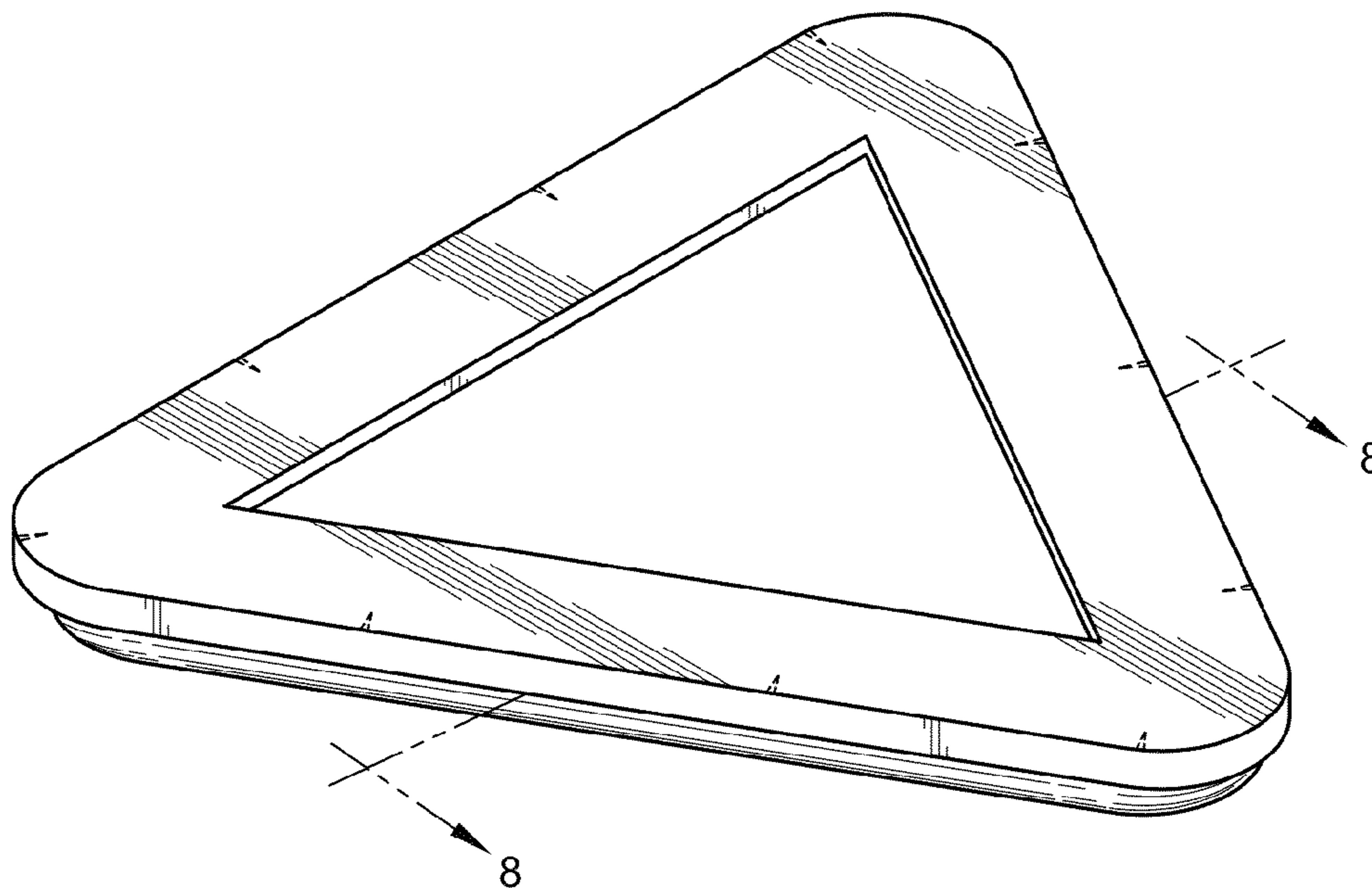
FIG. 1 is a top, front, right side perspective view showing my new design for a billiard rack.
 FIG. 2 is a top view thereof.
 FIG. 3 is a back view thereof.
 FIG. 4 is a right side view thereof, the left side being a mirror image.
 FIG. 5 is a front view thereof.
 FIG. 6 is a bottom view thereof.
 FIG. 7 is a bottom, front, left side perspective view thereof; and,
 FIG. 8 is a cross-sectional view along lines 8-8 of FIG. 1.
 The broken lines that depict notch marks along the top edges of the billiard rack in FIGS. 1 and 2 indicate unclaimed portions and form no part of the claimed design.

1 Claim, 6 Drawing Sheets

(56) **References Cited**

U.S. PATENT DOCUMENTS

1,167,137	A *	1/1916	Treiber	473/40
1,660,626	A *	2/1928	Rhoads	473/40
2,405,677	A *	8/1946	Volpe	473/40
D159,558	S *	8/1950	Sundell	D21/782
3,672,671	A	6/1972	Merola	
4,452,450	A	6/1984	Cayton	
5,556,341	A *	9/1996	Bonn, Jr.	473/40
5,601,495	A	2/1997	Silverman	
5,735,750	A	4/1998	Silverman	
5,916,032	A	6/1999	Stoll	
6,068,558	A *	5/2000	Gill et al.	473/18
D454,380	S *	3/2002	Porper	D21/782
6,629,897	B2	10/2003	Belknap	
7,063,620	B2	6/2006	Nearhood	
D529,116	S *	9/2006	Hathcock	D21/782



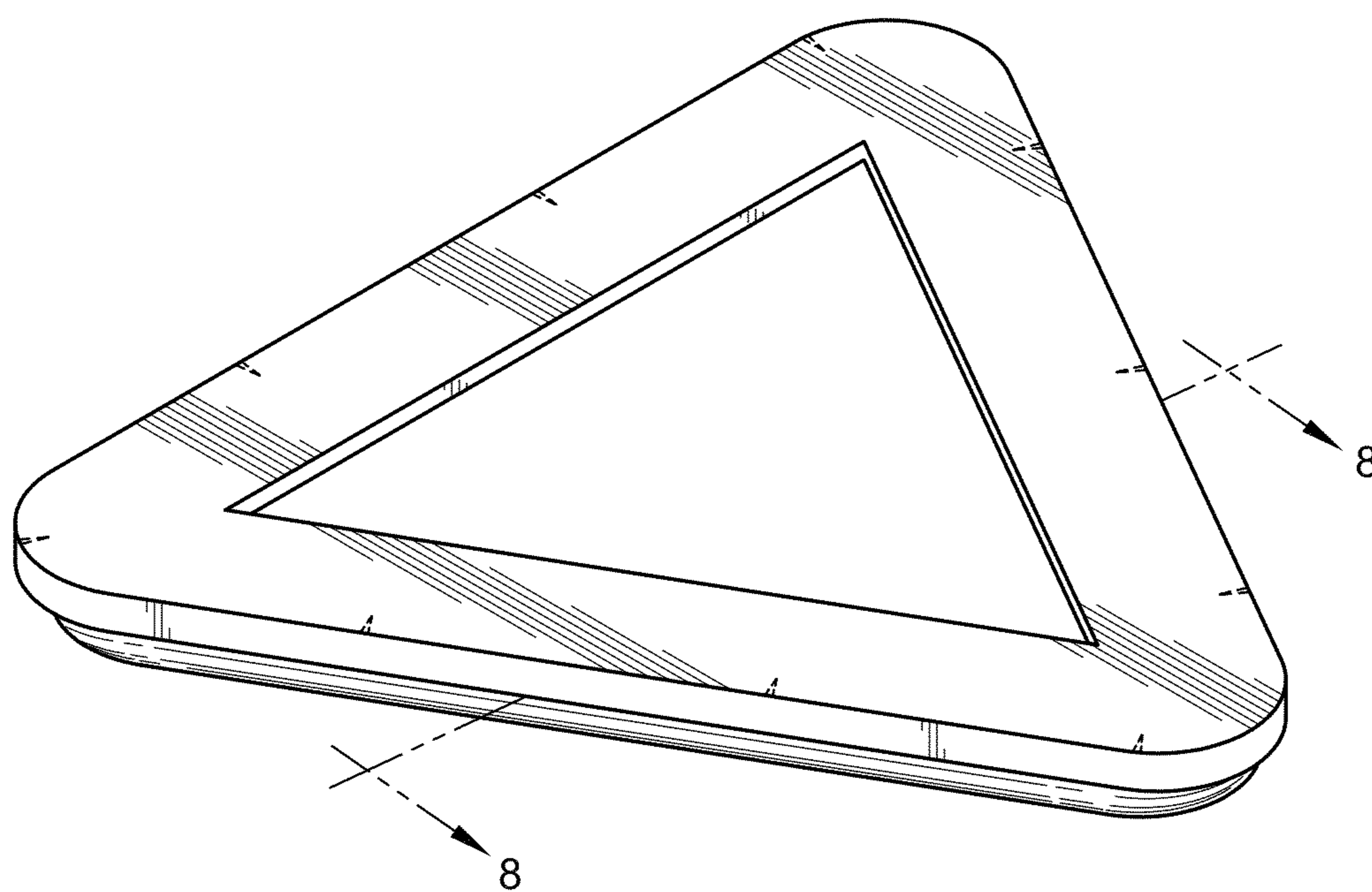


FIG. 1

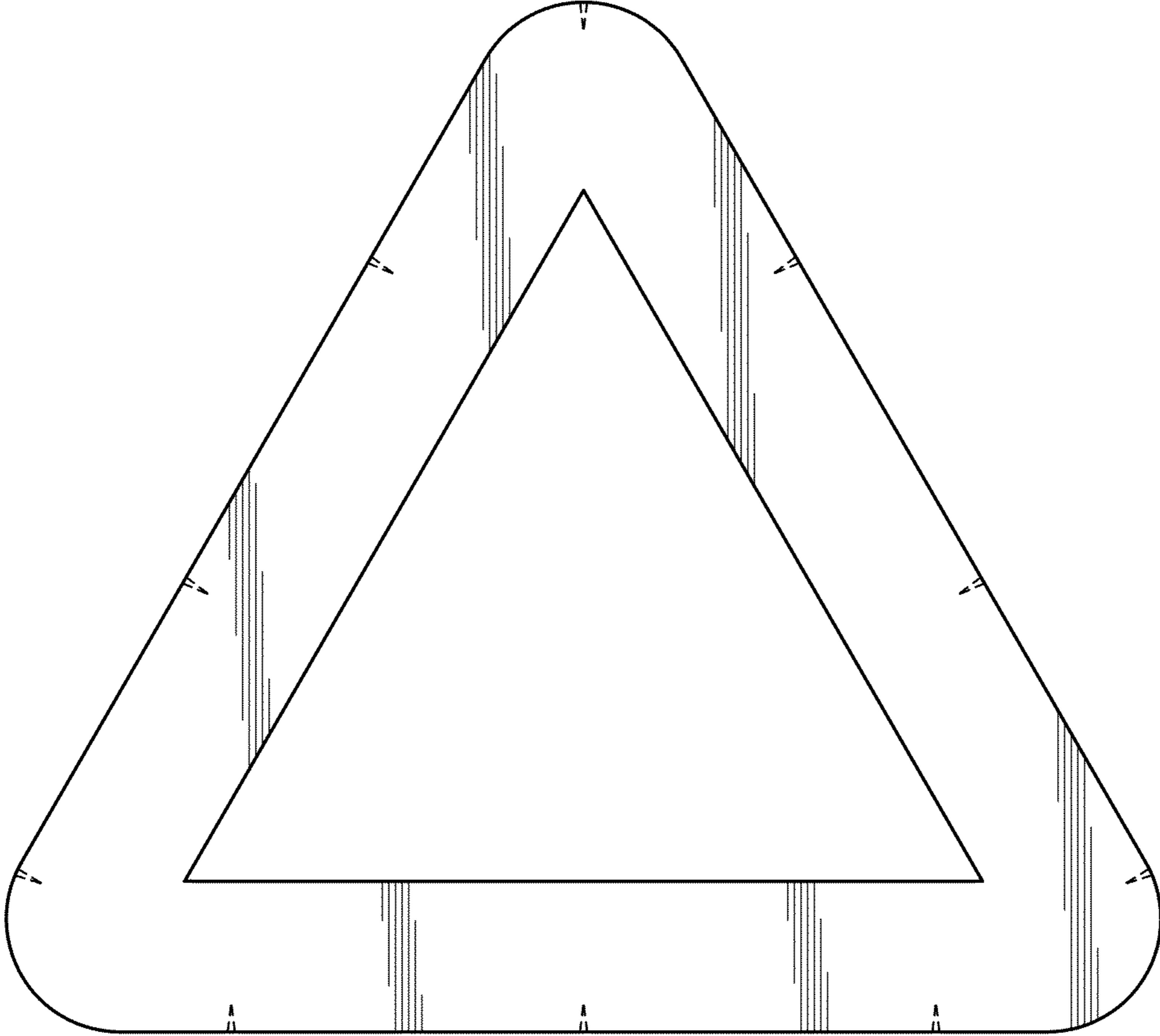


FIG. 2

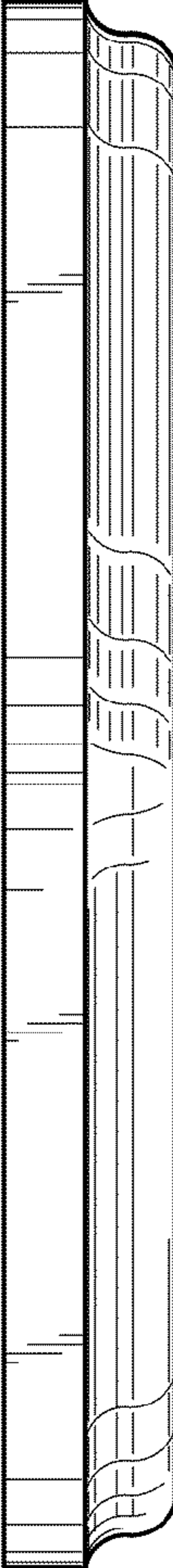


FIG. 3

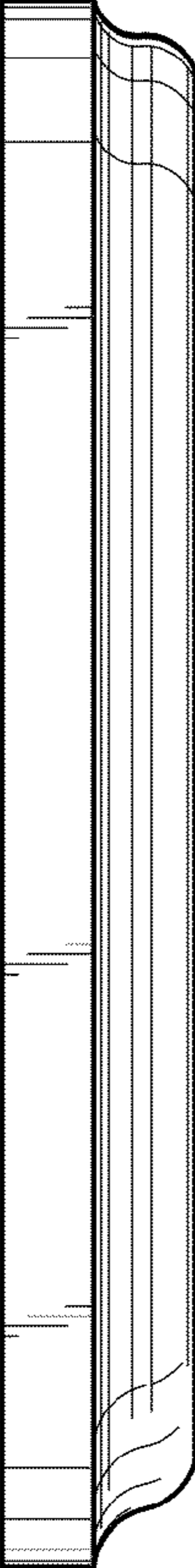


FIG. 4

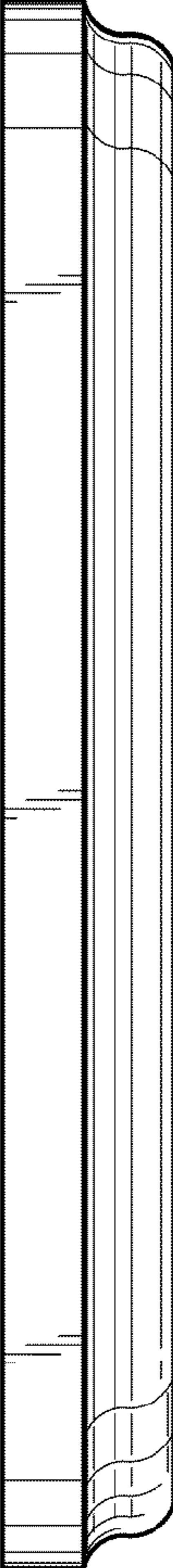


FIG. 5

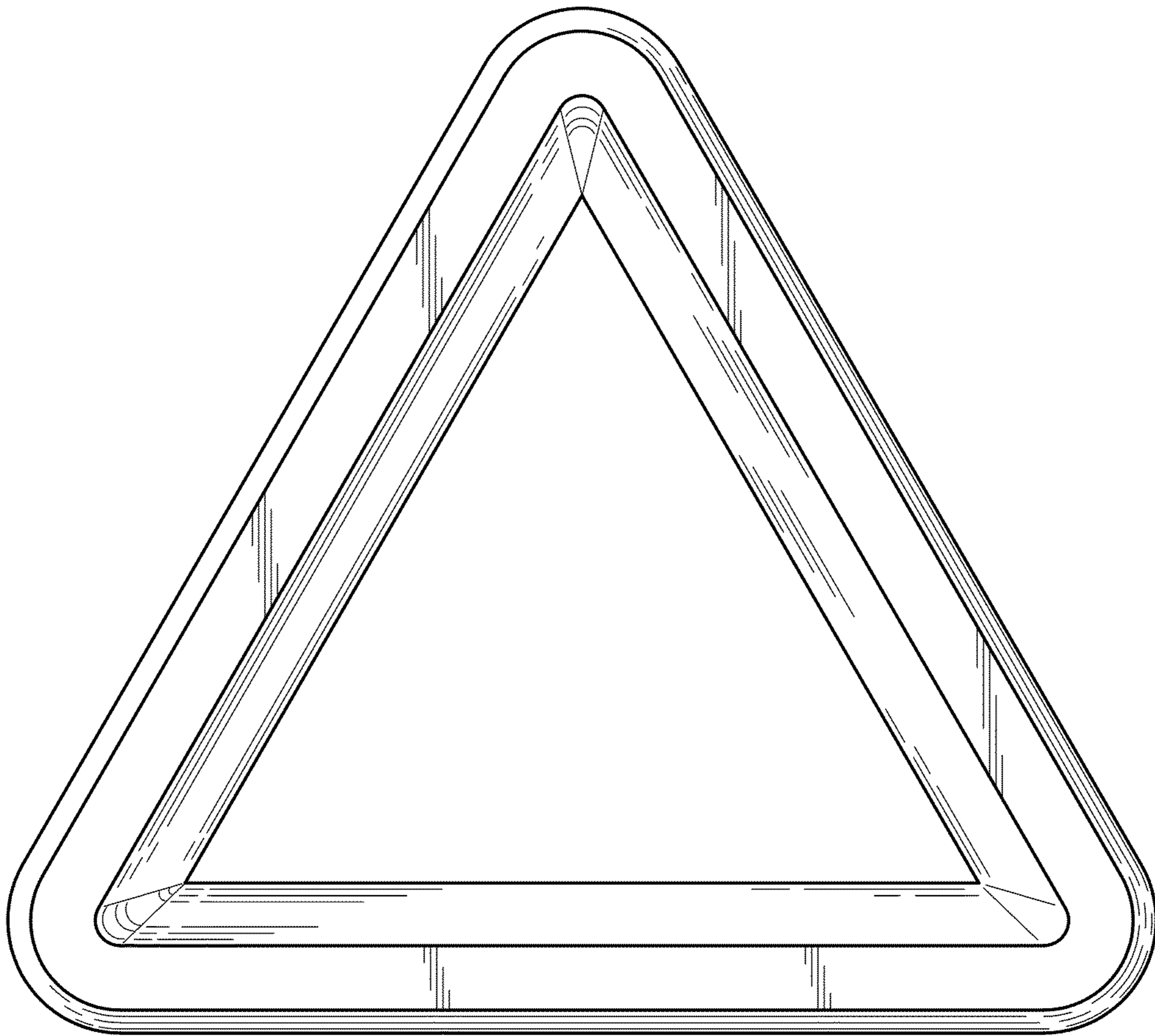


FIG. 6

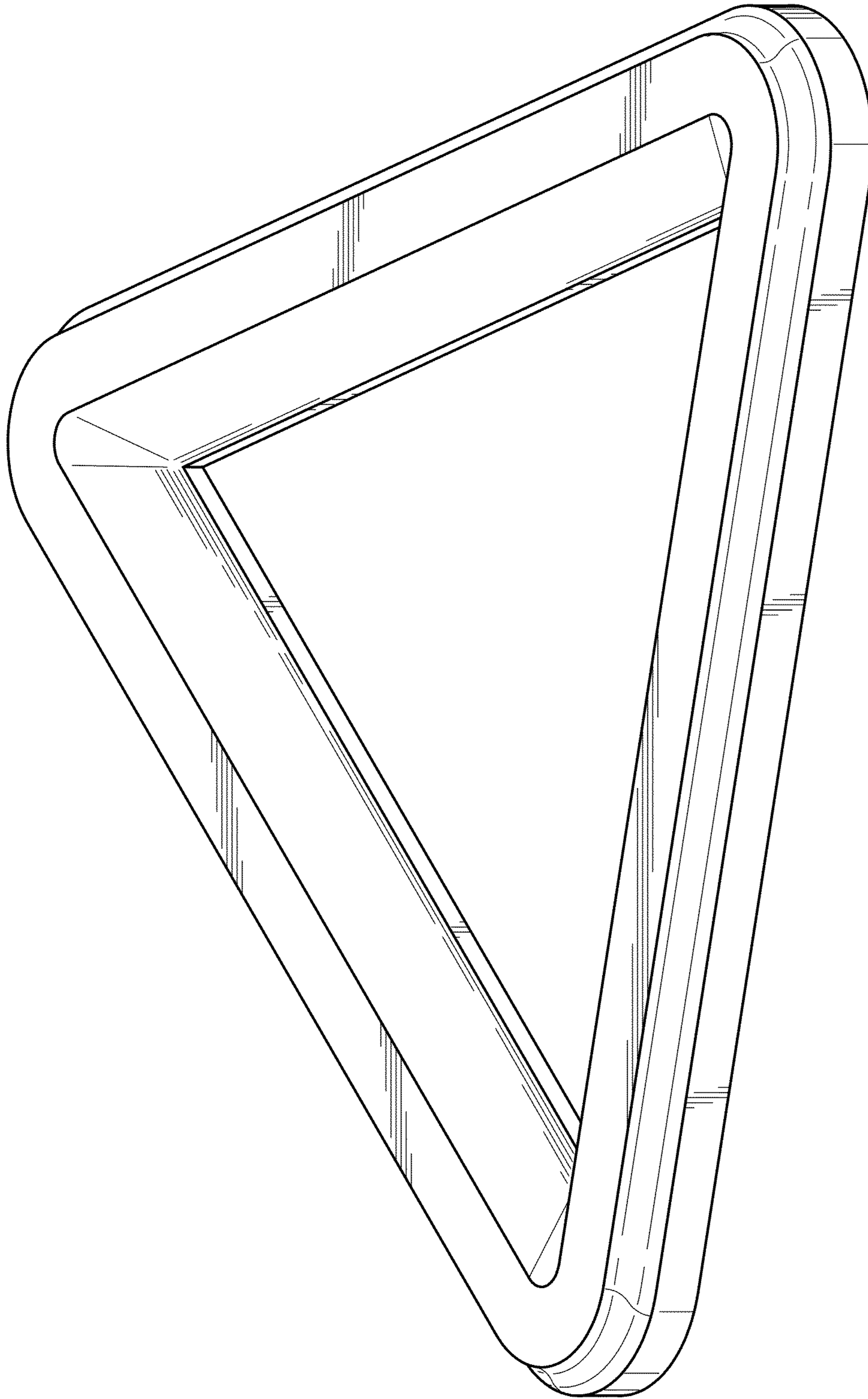


FIG. 7

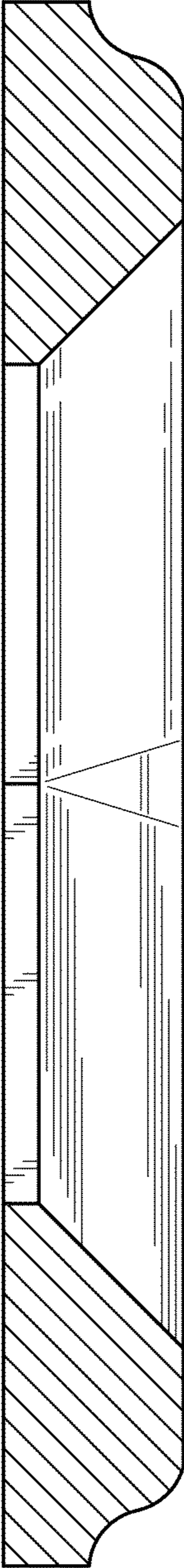


FIG. 8