



US00D739902S

(12) **United States Design Patent**
Hubler et al.

(10) **Patent No.:** **US D739,902 S**
(45) **Date of Patent:** **** Sep. 29, 2015**

(54) **SIDE HAND RAILS OF A TREADMILL**

(71) Applicant: **Precor Incorporated**, Woodinville, WA
(US)

(72) Inventors: **Robert B. Hubler**, Woodinville, WA
(US); **Weston VanWambeke**, Shoreline,
WA (US)

(73) Assignee: **Precor Incorporated**, Woodinville, WA
(US)

(**) Term: **14 Years**

(21) Appl. No.: **29/484,703**

(22) Filed: **Mar. 12, 2014**

(51) **LOC (10) Cl.** **21-02**

(52) **U.S. Cl.**
USPC **D21/694**

(58) **Field of Classification Search**
USPC D21/437, 453, 477, 492, 662-672, 682,
D21/685, 686, 694, 696; 482/4, 51, 52, 53,
482/54, 57, 58, 59, 66, 68, 70, 74, 98, 96,
482/910; D6/341, 601, 582, 700, 701, 702;
D12/122, 8, 9, 93, 178, 203; D8/303,
D8/380, 381; D25/127; 472/43, 48, 91,
472/136
CPC A63B 2022/0214; A63B 22/0664;
A63B 2022/0221; A63B 2022/0647; A63B
2071/009; A63B 21/1484; A63B 22/0015;
A63B 24/0062; A63B 69/00; A63B 22/208;
A63B 2024/0093

See application file for complete search history.

(56) **References Cited**

U.S. PATENT DOCUMENTS

D313,826 S 1/1991 Birrell et al. D21/194
D429,783 S * 8/2000 Cray et al. D21/694
D447,780 S 9/2001 Arnold et al. D21/669
D521,577 S * 5/2006 Wu D21/669
D531,683 S * 11/2006 Choi et al. D21/696

D534,973 S * 1/2007 Flick et al. D21/669
D557,359 S 12/2007 Olason et al. D21/696
D557,360 S 12/2007 Olason et al. D21/696
D559,342 S * 1/2008 Moon D21/694
D579,992 S * 11/2008 Cesaroni D21/694
D582,997 S 12/2008 Olason et al. D21/694
D585,506 S 1/2009 Olason et al. D21/696
D625,372 S * 10/2010 Foley et al. D21/694

(Continued)

OTHER PUBLICATIONS

Internet search URL<<http://www.precor.com/en-us/blog/2014/07/15/experience-series-commercial-treadmills/>[Date searched Mar. 28, 2015].*

(Continued)

Primary Examiner — Philip S Hyder

Assistant Examiner — Keith Frank

(74) *Attorney, Agent, or Firm* — Terence P. O'Brien

(57) **CLAIM**

We claim the ornamental design for side hand rails of a treadmill, as shown and described.

DESCRIPTION

FIG. 1 is a side, front perspective view of side hand rails of a treadmill;

FIG. 2 is a first side view of the side hand rails of a treadmill of FIG. 1;

FIG. 3 is a second side view of the side hand rails of a treadmill of FIG. 1;

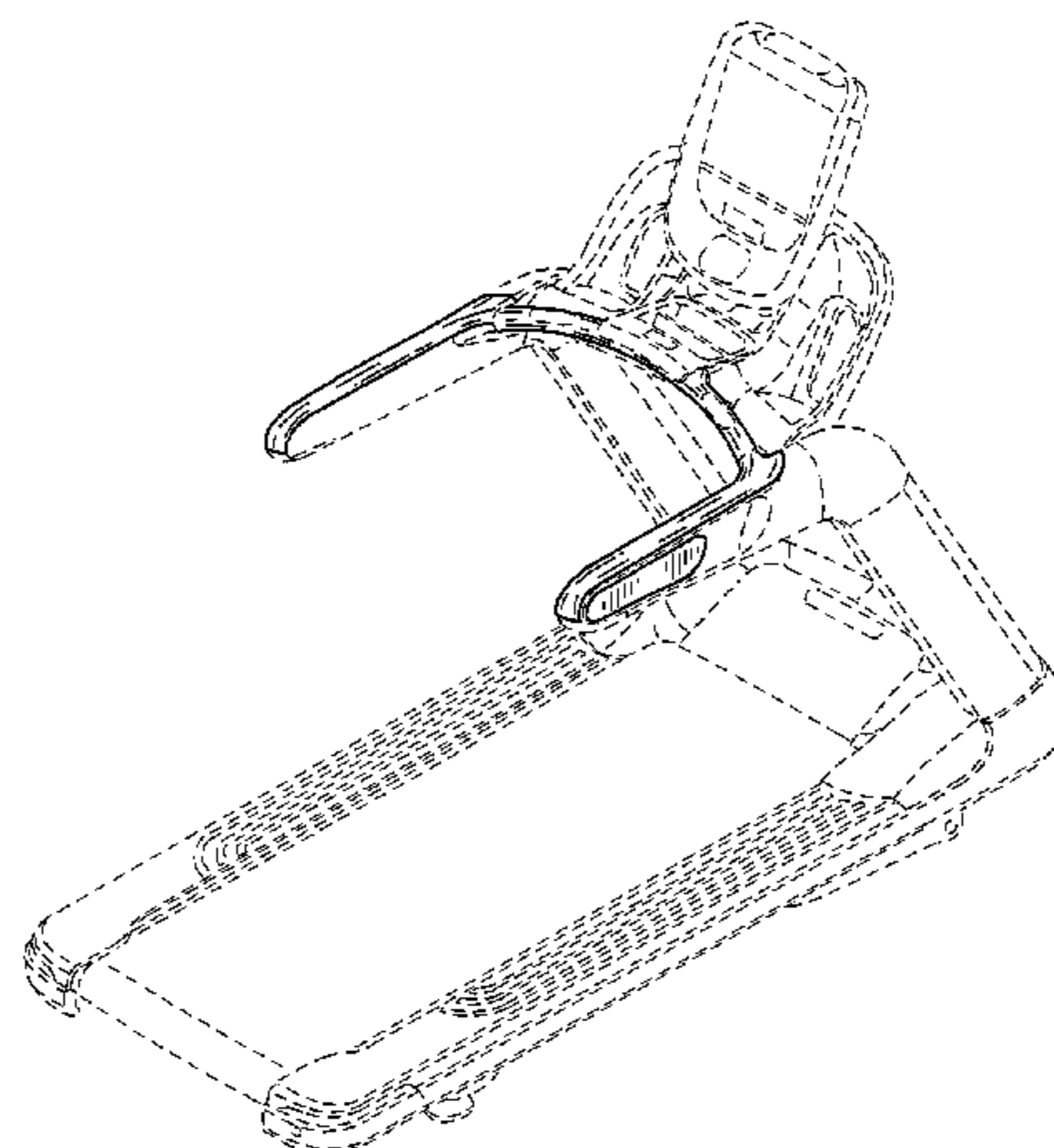
FIG. 4 is a front view of the side hand rails of a treadmill of FIG. 1;

FIG. 5 is a rear view of the side hand rails of a treadmill of FIG. 1; and,

FIG. 6 is a top view of the side hand rails of a treadmill of FIG. 1.

The broken lines immediately adjacent to the solid lines in the drawings represent the boundaries of the claim and form no part of the claimed design.

1 Claim, 5 Drawing Sheets



(56)

References Cited

OTHER PUBLICATIONS

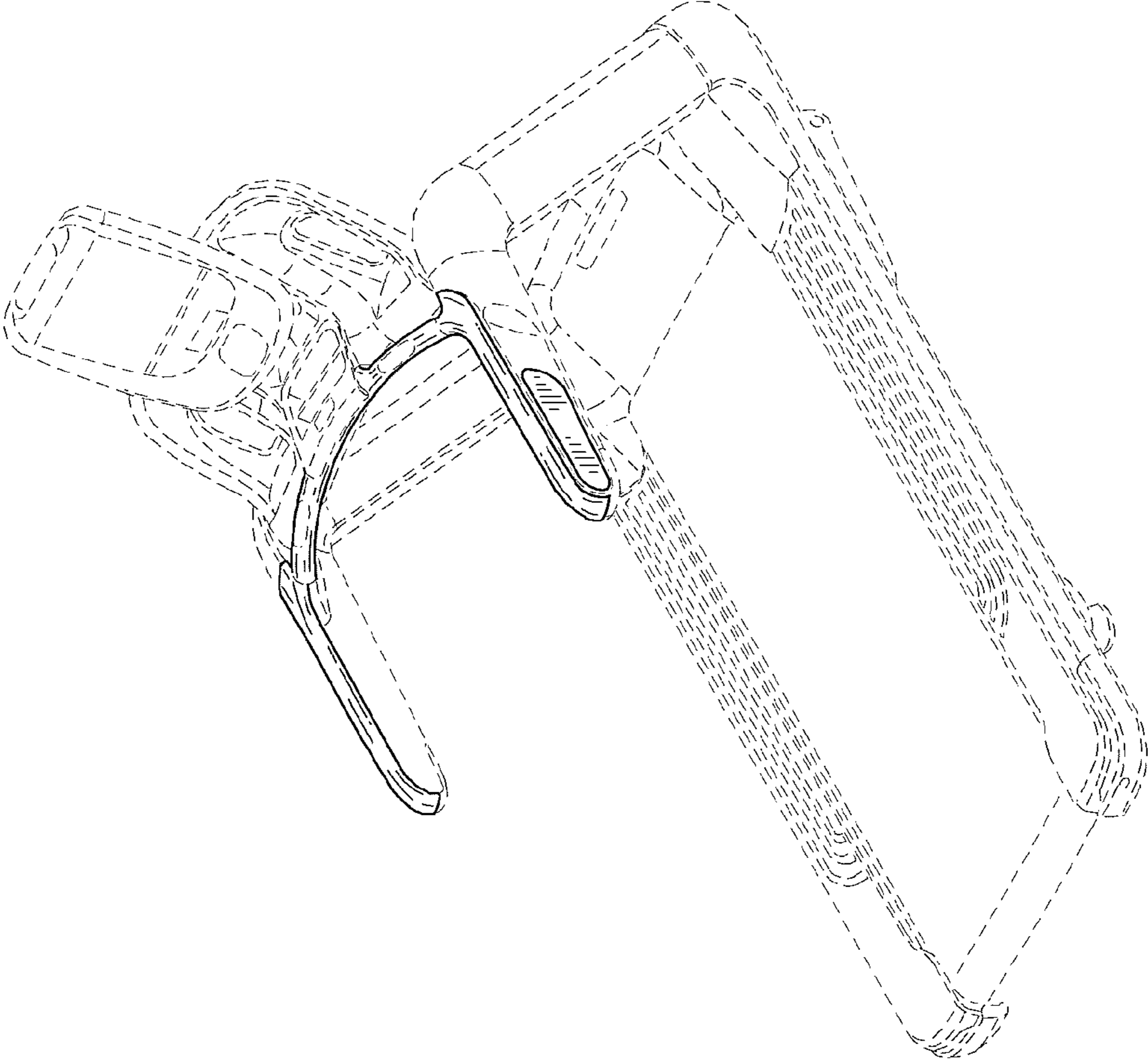
U.S. PATENT DOCUMENTS

D687,753	S *	8/2013	Carlini	D12/178
8,968,160	B2 *	3/2015	Cassano	482/54
2004/0162188	A1 *	8/2004	Watterson et al.	482/8
2014/0066263	A1 *	3/2014	Huang et al.	482/54
2014/0121067	A1 *	5/2014	Huang et al.	482/54
2014/0221167	A1 *	8/2014	Wu	482/54

Internet search URL<<http://www.precor.com/en-us/media-relations/press-releases/precors-unveils-next-generation-experience-series-treadmills>[Date searched Mar. 28, 2015].*

* cited by examiner

FIG. 1



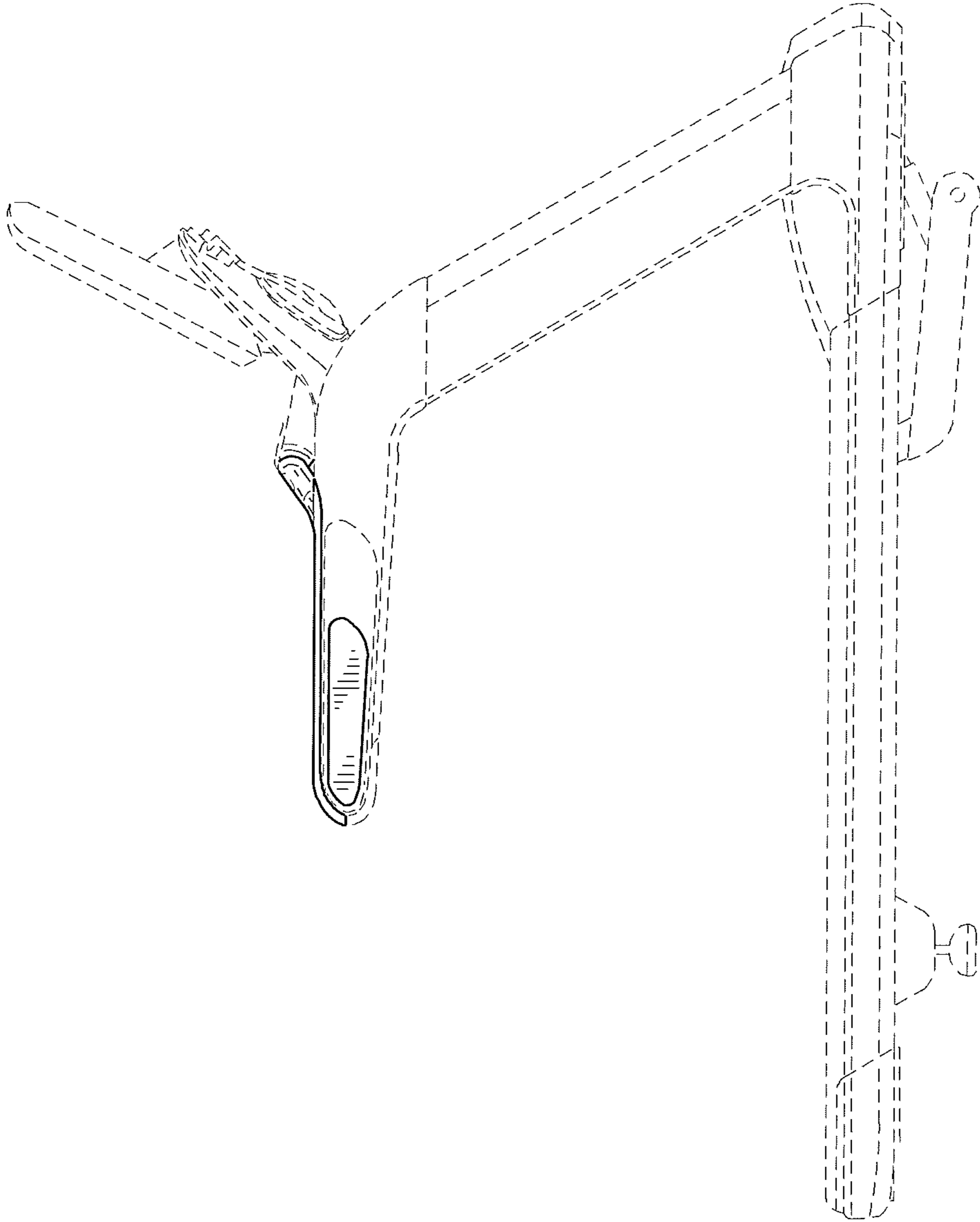


FIG. 2

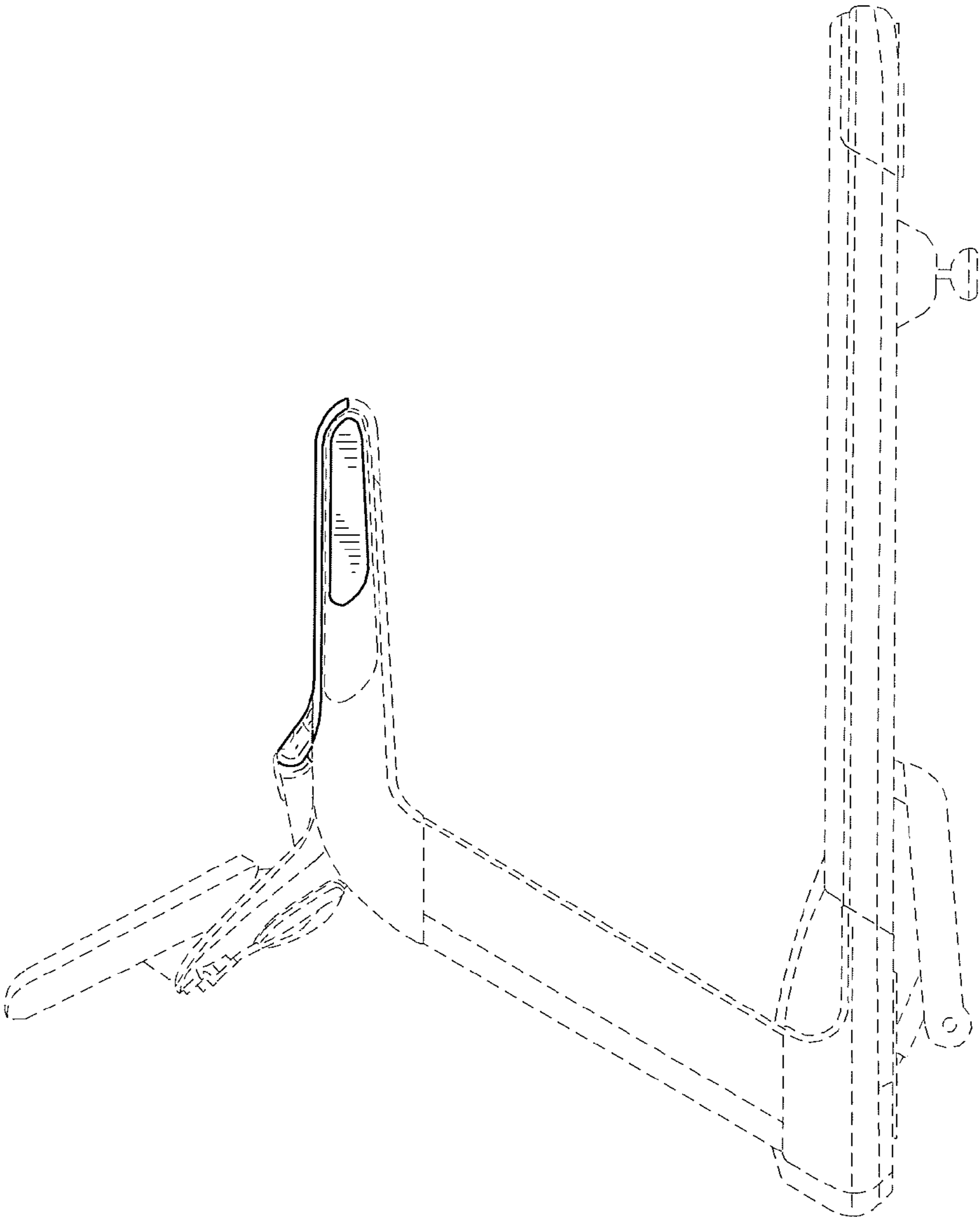


FIG. 3

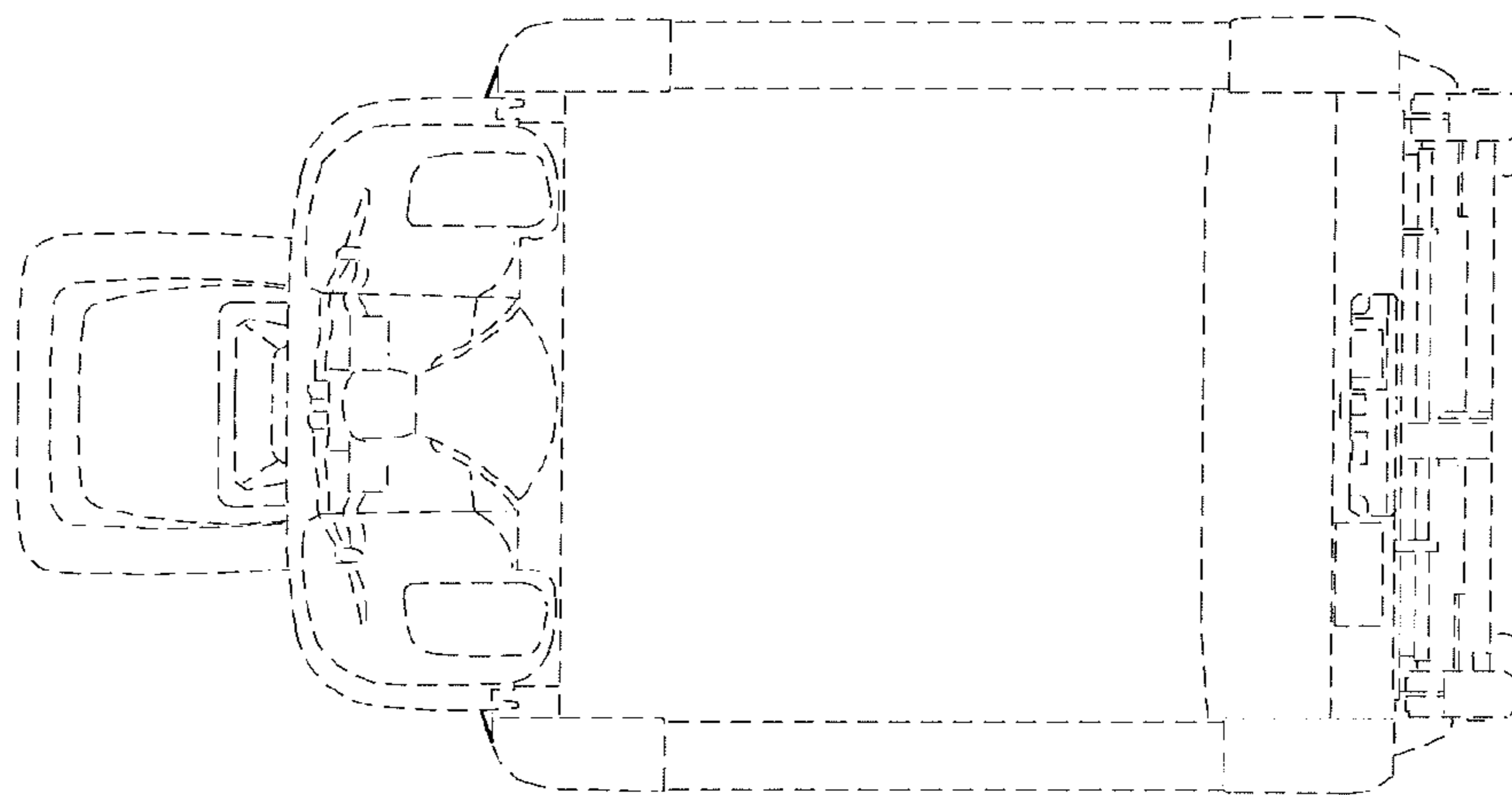


FIG. 5

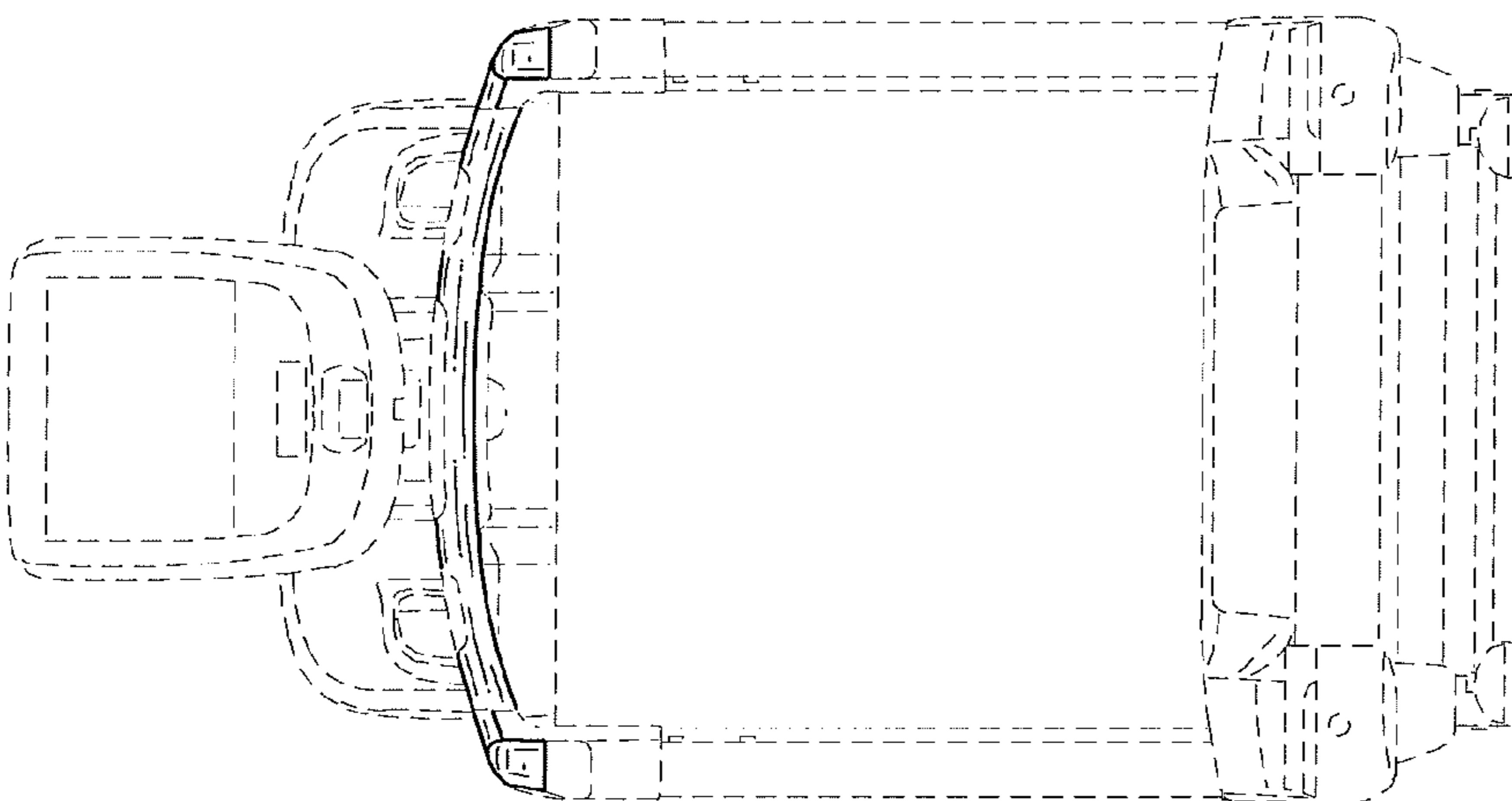


FIG. 4

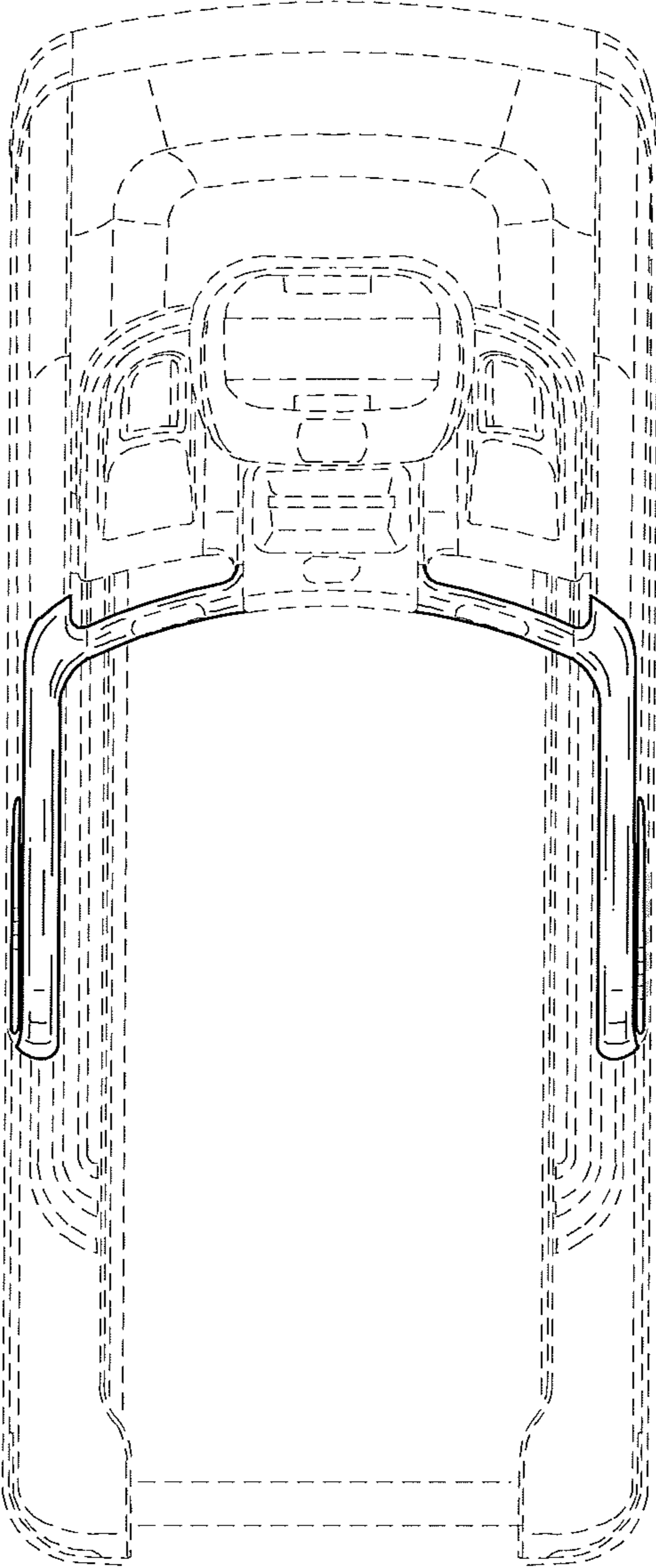


FIG. 6