



US00D739897S

(12) **United States Design Patent**  
**Lee**

(10) **Patent No.:** **US D739,897 S**

(45) **Date of Patent:** **\*\* Sep. 29, 2015**

(54) **TOY MOTORCYCLE**

(71) Applicant: **Wen-Hsien Lee**, New Taipei (TW)

(72) Inventor: **Wen-Hsien Lee**, New Taipei (TW)

(\*\*) Term: **14 Years**

(21) Appl. No.: **29/472,966**

(22) Filed: **Nov. 18, 2013**

(51) **LOC (10) Cl.** ..... **21-01**

(52) **U.S. Cl.**  
USPC ..... **D21/538**

(58) **Field of Classification Search**  
USPC ..... D21/533, 538, 432, 615; 446/72, 429,  
446/431, 433, 440, 454, 455, 456, 465,  
446/468; 280/209, 219, 828  
See application file for complete search history.

(56) **References Cited**

**U.S. PATENT DOCUMENTS**

D208,484 S *	9/1967	Wetherell	.....	D21/538
3,733,739 A *	5/1973	Terzian	.....	446/462
4,107,872 A *	8/1978	Tucker et al.	.....	446/290
D269,099 S *	5/1983	Goldfarb et al.	.....	D21/538
D275,505 S *	9/1984	Takasaka	.....	D21/538
D346,414 S *	4/1994	Wong	.....	D21/538
D476,381 S *	6/2003	Mukaida	.....	D21/538

7,503,828 B2 *	3/2009	Lee	.....	446/465
7,722,429 B2 *	5/2010	Campbell	.....	446/376
2006/0121824 A1 *	6/2006	Lee et al.	.....	446/440

\* cited by examiner

*Primary Examiner* — Cynthia M Chin

(74) *Attorney, Agent, or Firm* — C. G. Mersereau; Nikolai & Mersereau, P.A.

(57) **CLAIM**

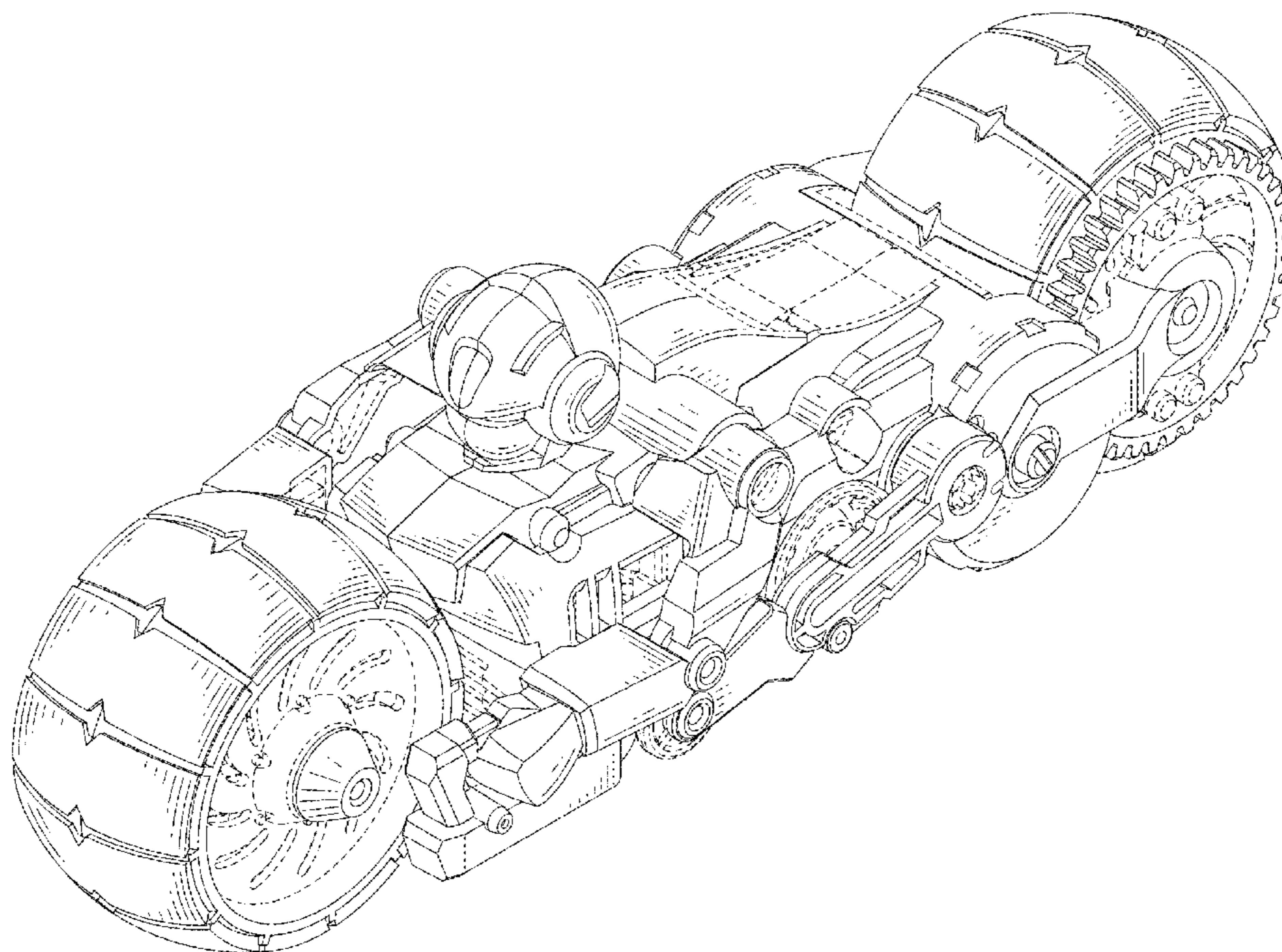
The ornamental design for a toy motorcycle, as shown and described.

**DESCRIPTION**

FIG. 1 is a perspective view of a toy motorcycle showing my new design;  
FIG. 2 is a front view thereof;  
FIG. 3 is a rear view thereof;  
FIG. 4 is a left side view thereof;  
FIG. 5 is a right side view thereof;  
FIG. 6 is a top view thereof;  
FIG. 7 is a bottom view thereof;  
FIG. 8 is another perspective view thereof; and,  
FIG. 9 is a perspective view thereof with a cable mounted thereon.

The broken lines shown are included for the purpose of illustrating the unclaimed portions of the article and form no part of the claimed design.

**1 Claim, 9 Drawing Sheets**



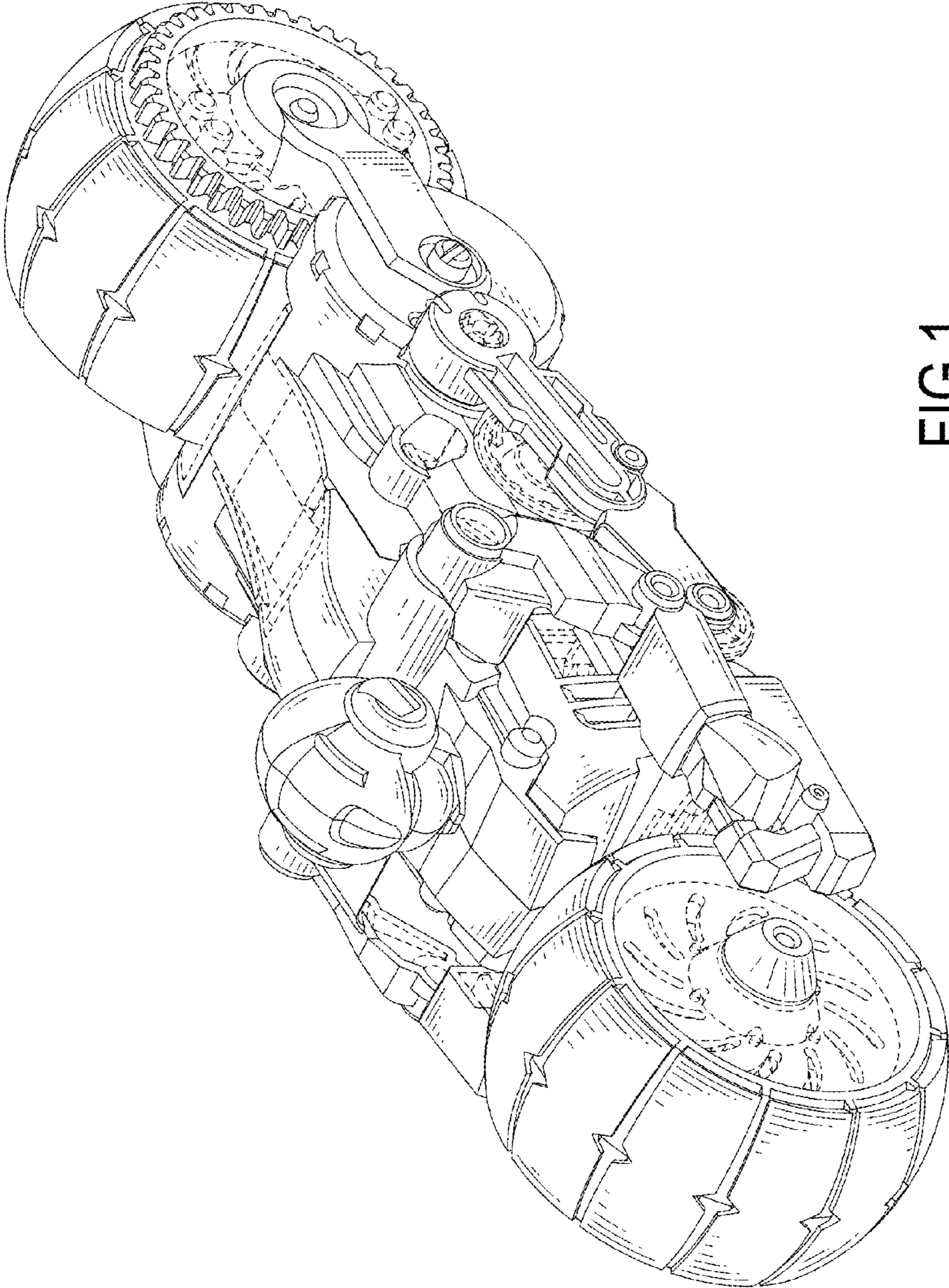


FIG.1

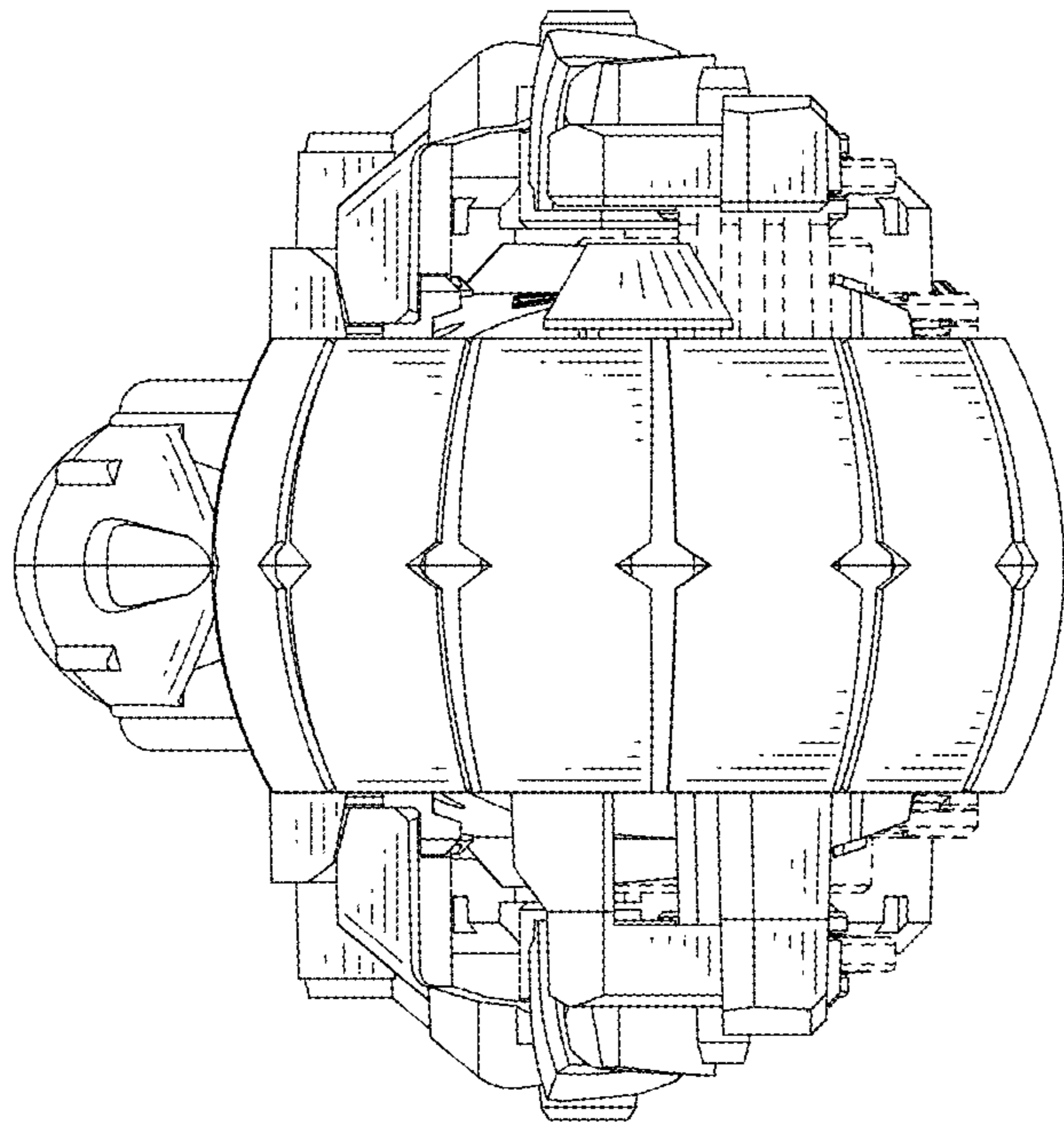


FIG.2

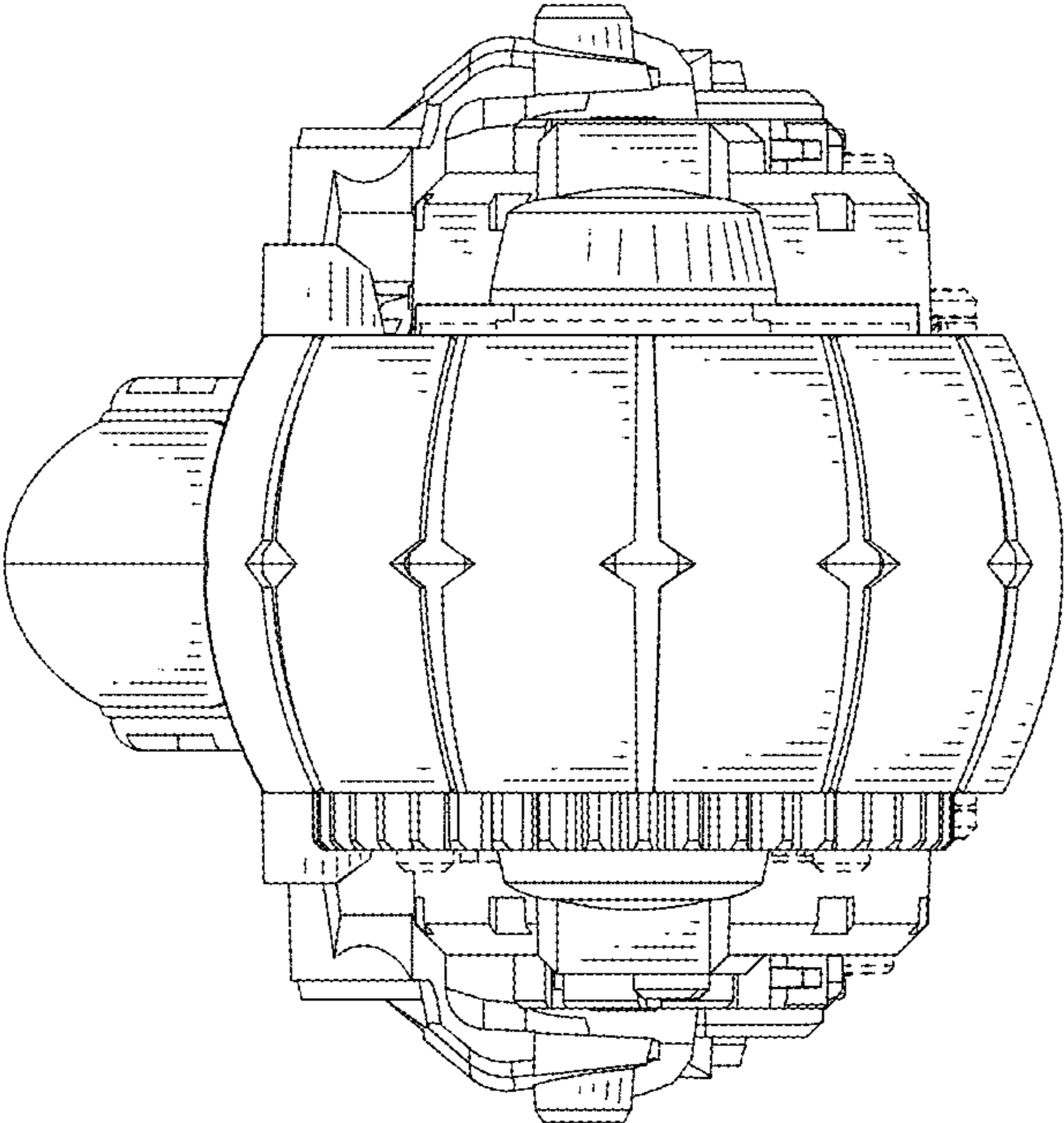


FIG.3

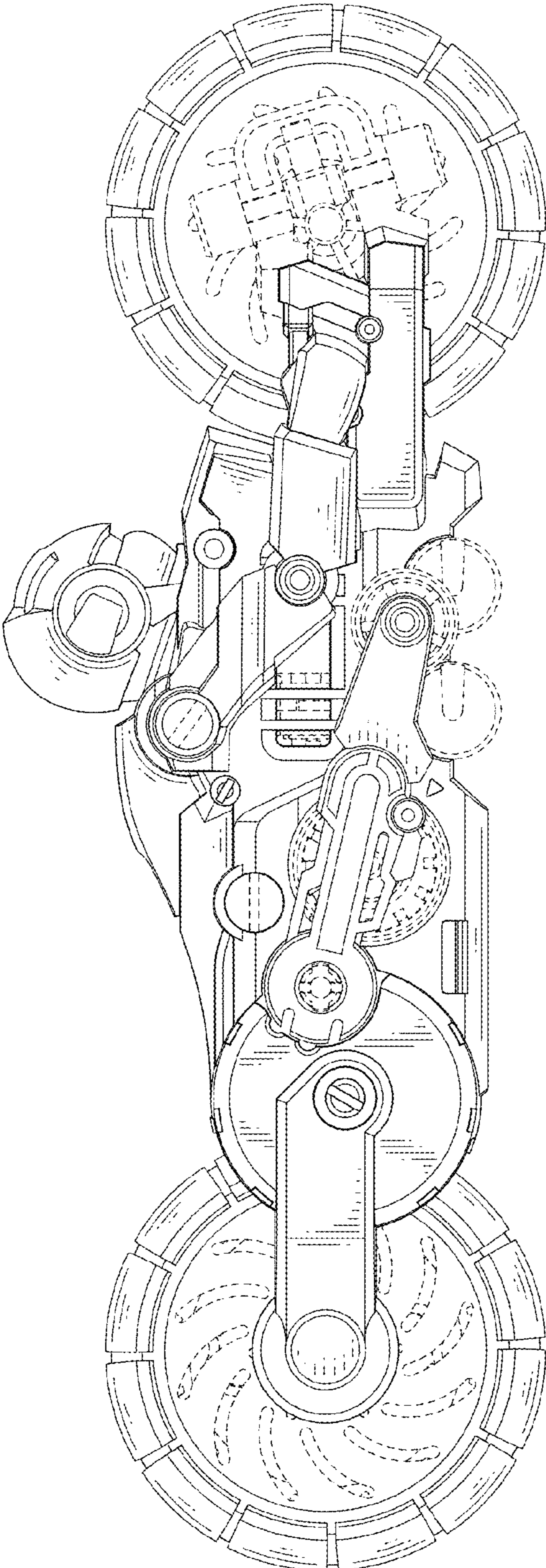


FIG.4

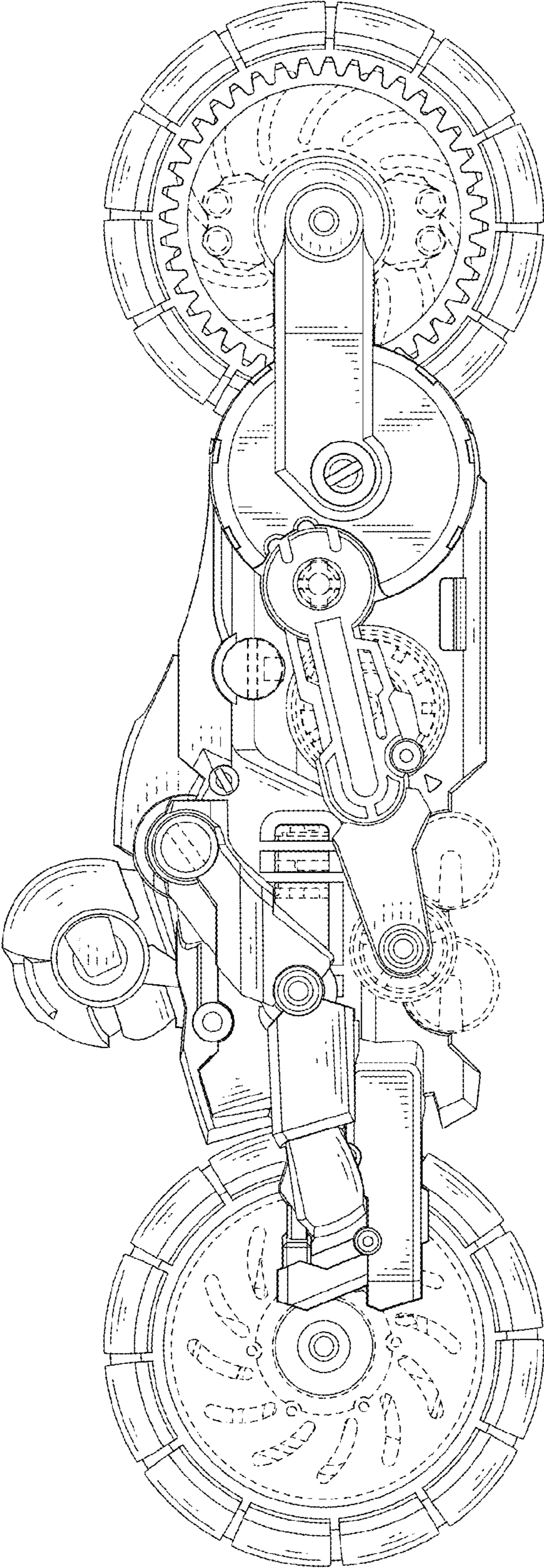


FIG.5

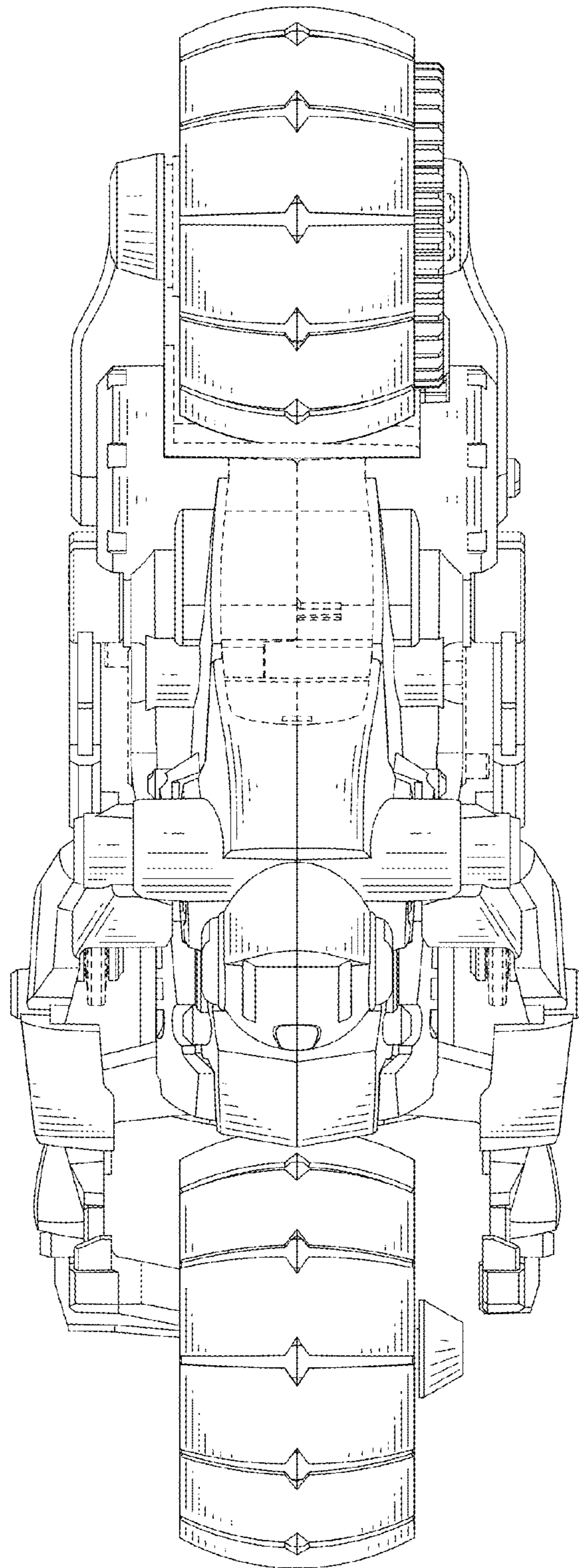


FIG.6

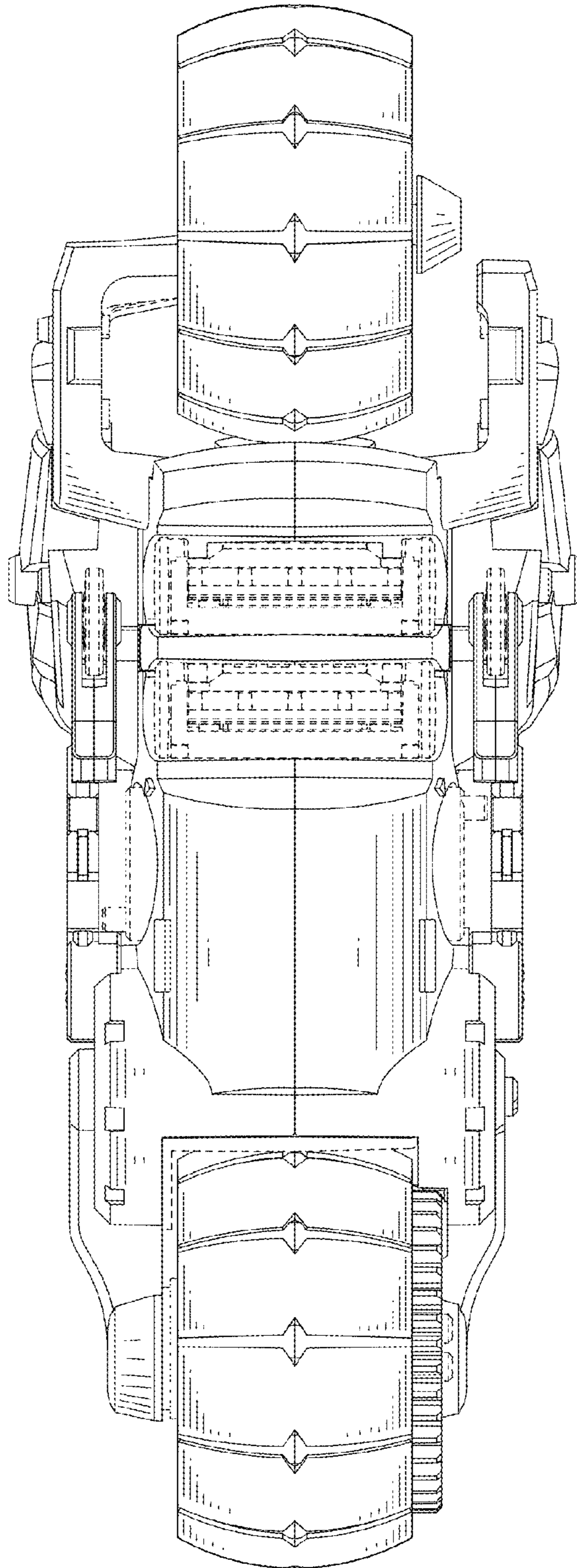


FIG.7



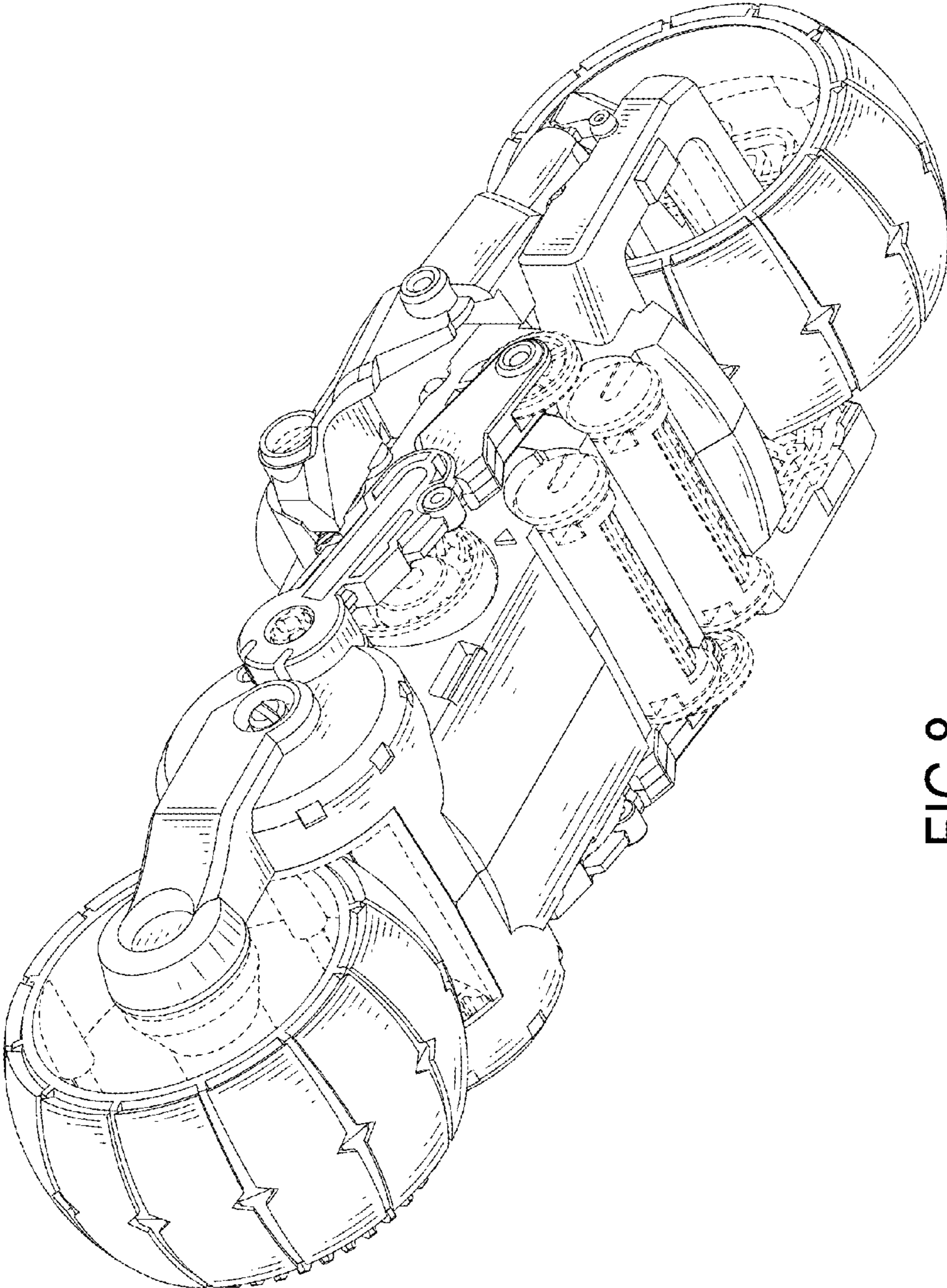


FIG.8

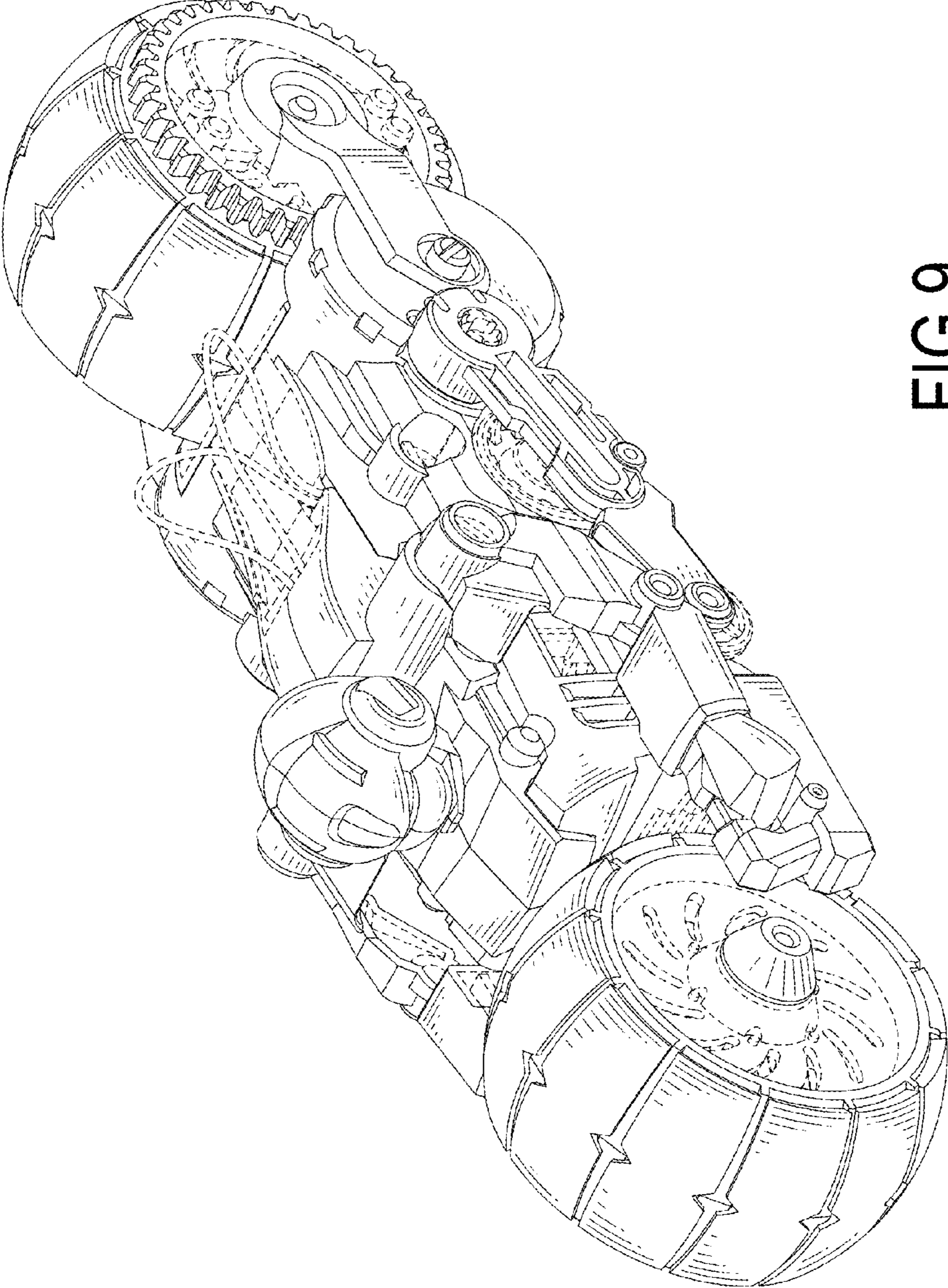


FIG.9