



US00D739895S

(12) **United States Design Patent**
Tellez et al.

(10) **Patent No.:** **US D739,895 S**

(45) **Date of Patent:** **** Sep. 29, 2015**

(54) **SET OF BONE SHAPED DOMINO TILES**

(71) Applicants: **Israel Tellez**, Riverside, CA (US);
Heriberto Tellez, Riverside, CA (US);
Juan Carlos Tellez, Riverside, CA (US)

(72) Inventors: **Israel Tellez**, Riverside, CA (US);
Heriberto Tellez, Riverside, CA (US);
Juan Carlos Tellez, Riverside, CA (US)

(**) Term: **14 Years**

(21) Appl. No.: **29/472,788**

(22) Filed: **Nov. 15, 2013**

(51) **LOC (10) Cl.** **21-01**

(52) **U.S. Cl.**
USPC **D21/391**

(58) **Field of Classification Search**
CPC **A63F 9/20**
See application file for complete search history.

(56) **References Cited**

U.S. PATENT DOCUMENTS

D38,868 S	*	11/1907	Thomas	D21/391
D328,107 S		7/1992	Cheatwood		
D392,691 S		3/1998	Winder		
D447,186 S	*	8/2001	Flippo	D21/391
D461,853 S	*	8/2002	Cheng	D21/391
D542,859 S		5/2007	Denoual		
D582,991 S		12/2008	McCowan		
D583,877 S		12/2008	Denoual		
D624,131 S		9/2010	Nathanson		
7,832,732 B1		11/2010	Toeews et al.		
D662,149 S		6/2012	Nathanson et al.		

* cited by examiner

Primary Examiner — George D Kirschbaum

(74) *Attorney, Agent, or Firm* — Kirk A. Buhler; Buhler & Associates

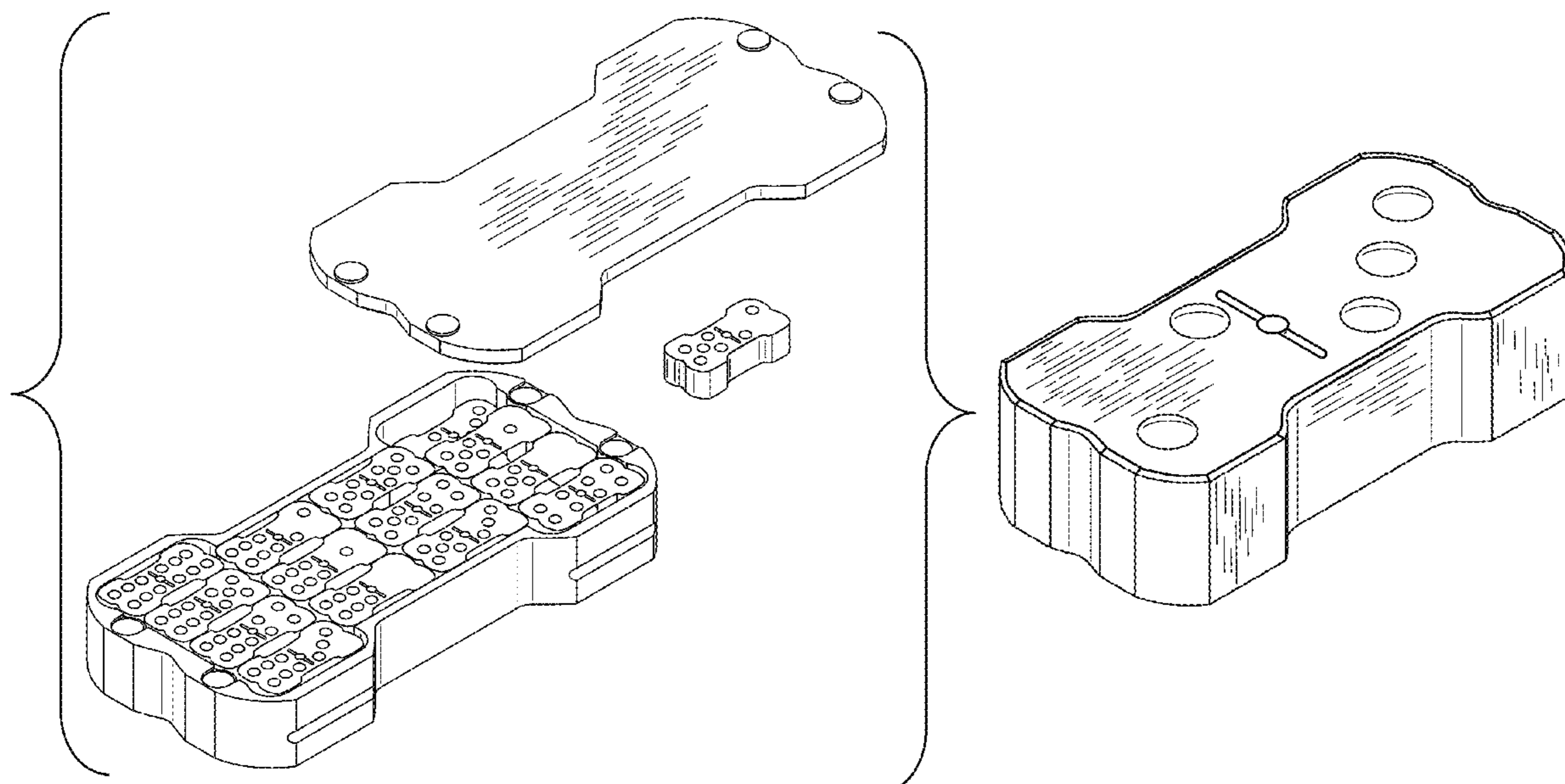
(57) **CLAIM**

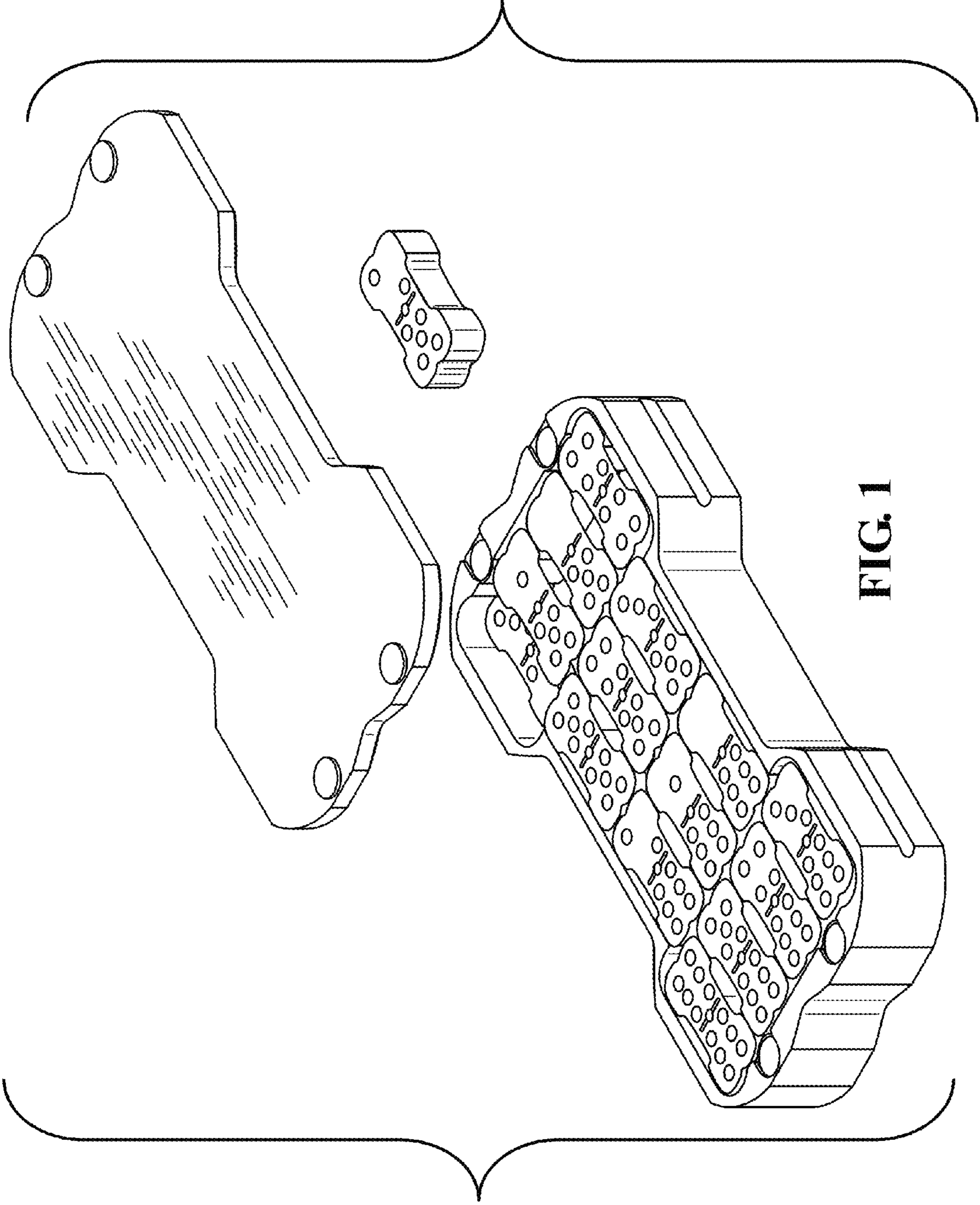
The ornamental design for a set of bone shaped domino tiles, as shown and described.

DESCRIPTION

FIG. 1 is a top perspective view for a set of bone shaped domino tiles showing my new design;
 FIG. 2 is a top perspective view of a single domino thereof;
 FIG. 3 is a back side view of a single domino thereof;
 FIG. 4 is a front side view of a single domino thereof;
 FIG. 5 is a rear side view of a single domino thereof;
 FIG. 6 is a top side view of a single domino thereof;
 FIG. 7 is a right side view of a single domino thereof;
 FIG. 8 is a left side view of a single domino thereof;
 FIG. 9 is a top view of the 28 different dominos thereof;
 FIG. 10 is a right side view of the top cover, the left side view being a mirror image thereof;
 FIG. 11 is a top side view of the cover thereof;
 FIG. 12 is a front side view of the top cover, the rear side view being a mirror image thereof;
 FIG. 13 is a bottom view of the cover thereof;
 FIG. 14 is a top view of the bottom housing thereof;
 FIG. 15 is a front side view of the bottom housing, the rear side view being a mirror image thereof;
 FIG. 16 is a bottom view of the bottom housing thereof;
 FIG. 17 is a front side view of the bottom housing thereof;
 FIG. 18 is a rear side view of the bottom housing thereof;
 FIG. 19 is a bottom rear perspective view of the bottom housing thereof, and,
 FIG. 20 is a top front perspective view of the bottom housing.

1 Claim, 8 Drawing Sheets





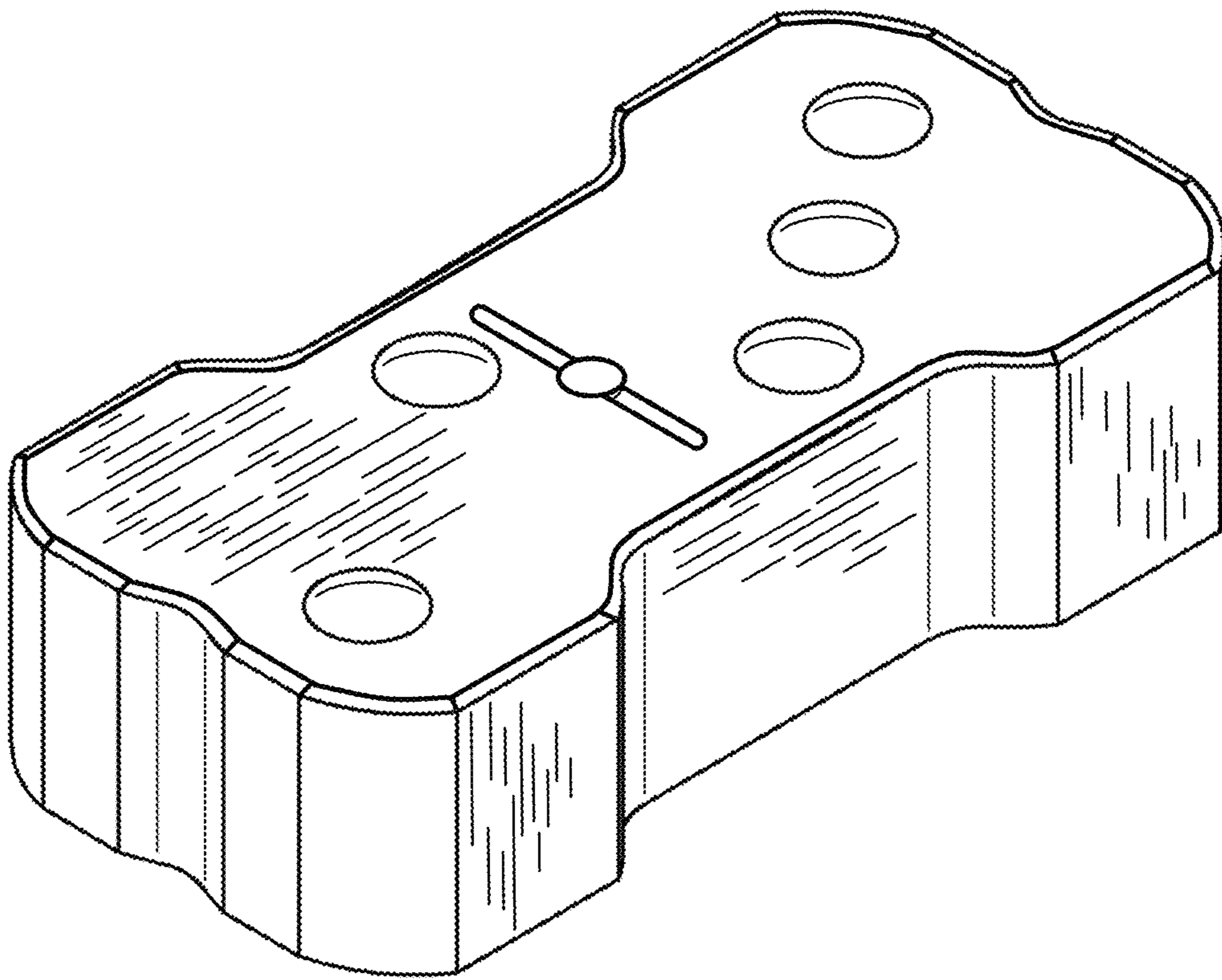


FIG. 2

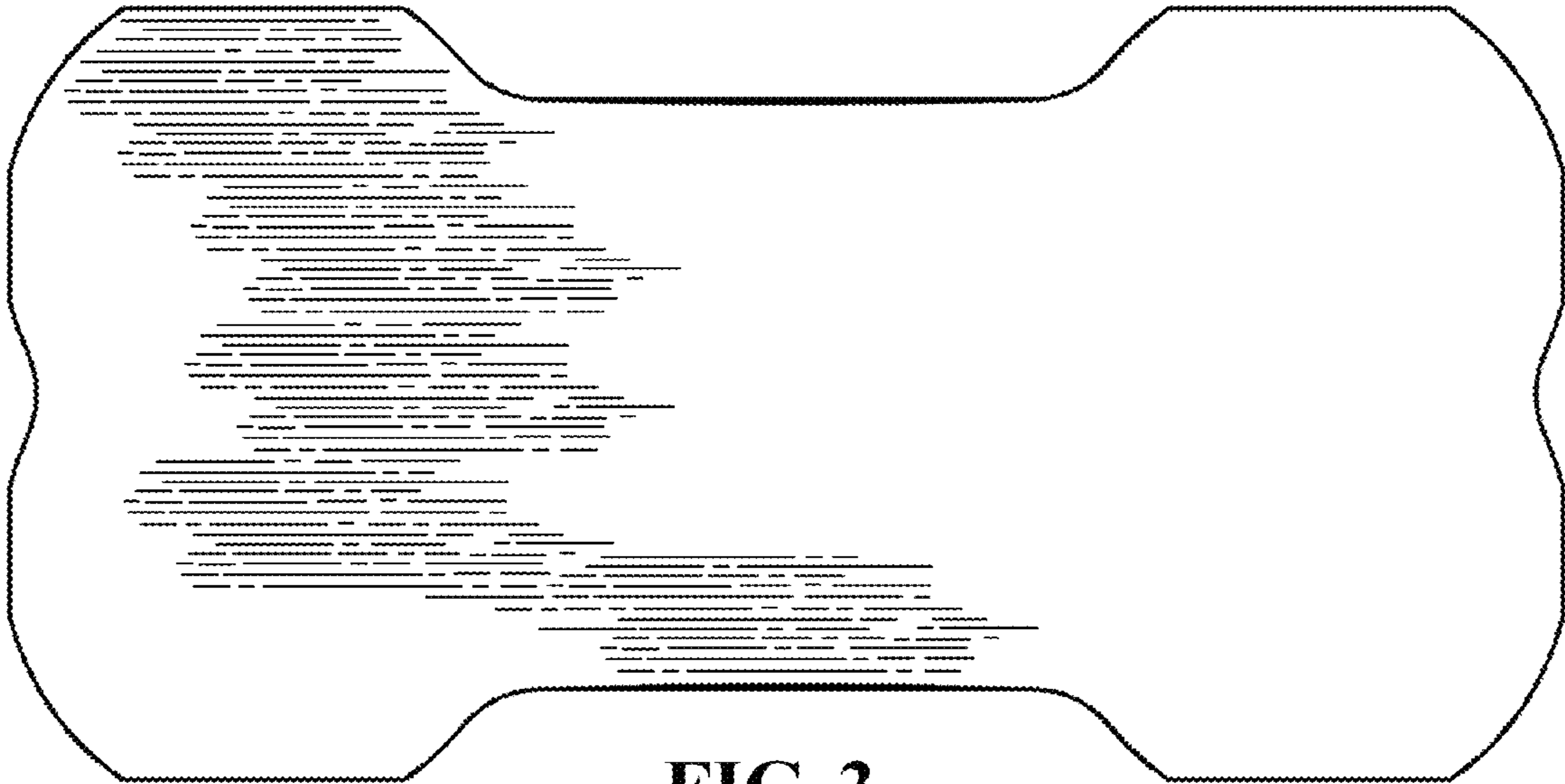


FIG. 3

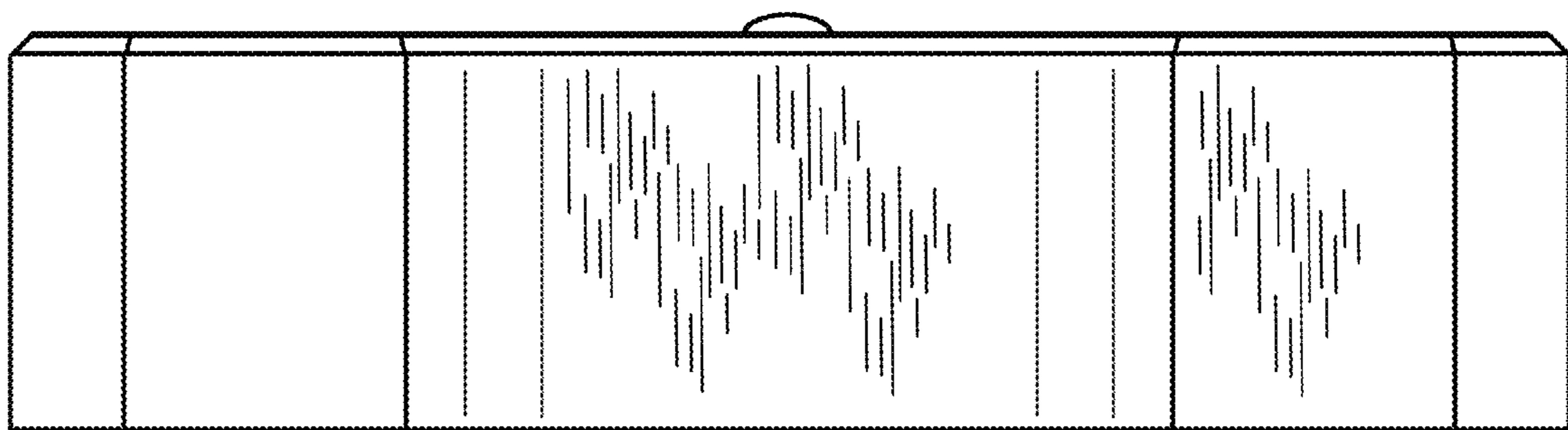


FIG. 4

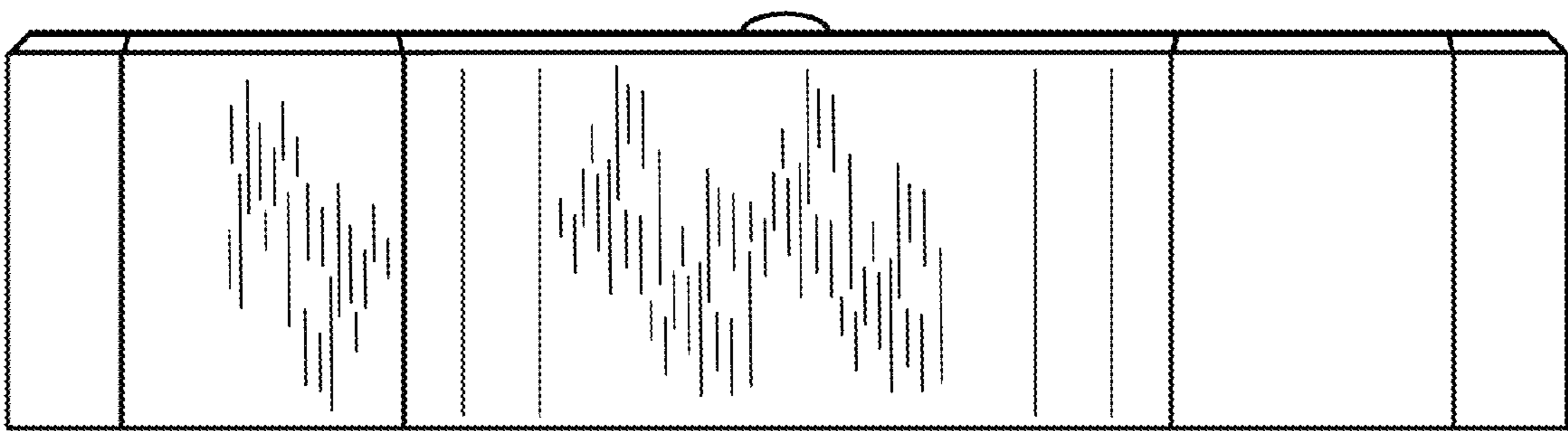


FIG. 5

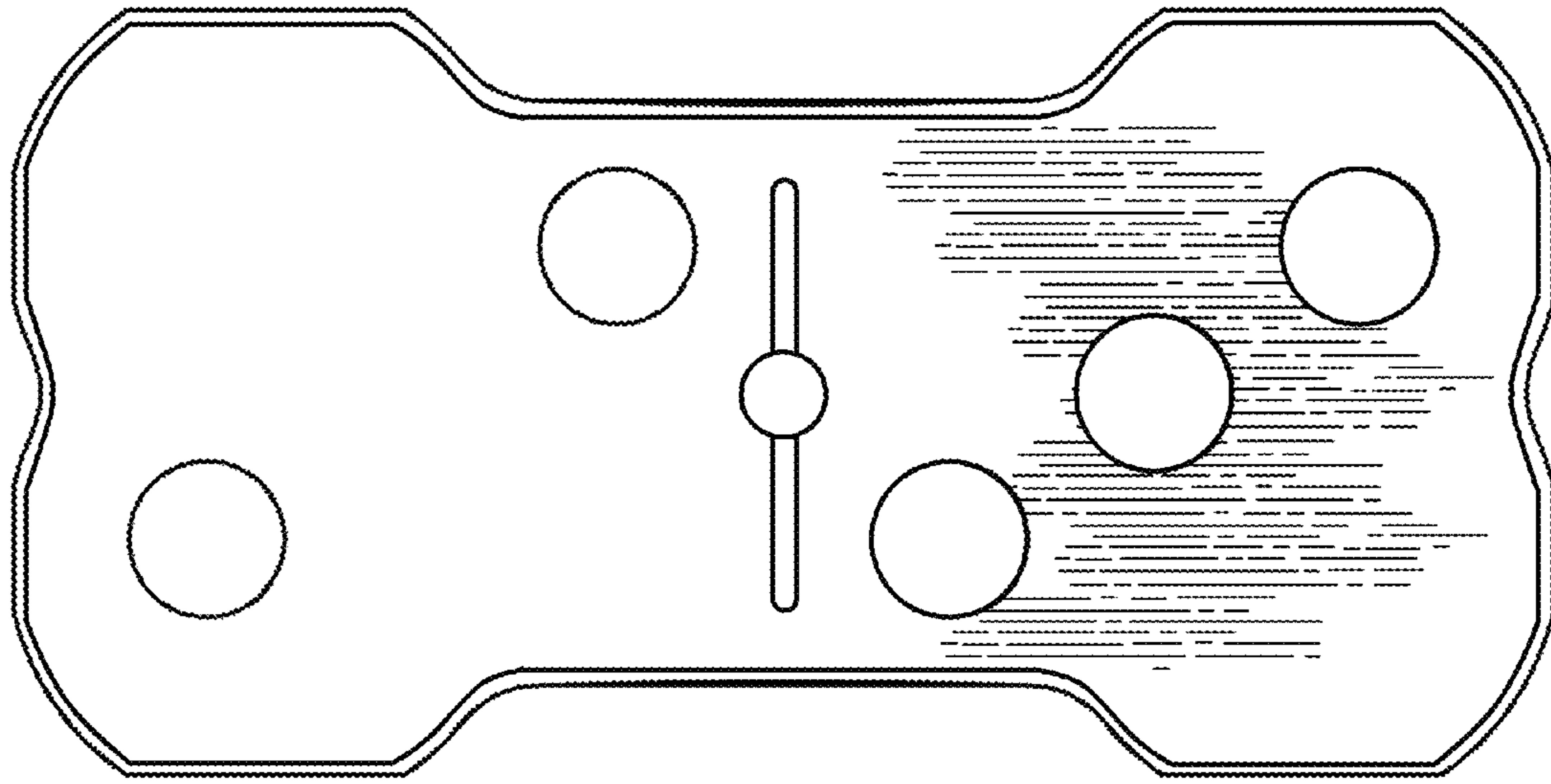


FIG. 6

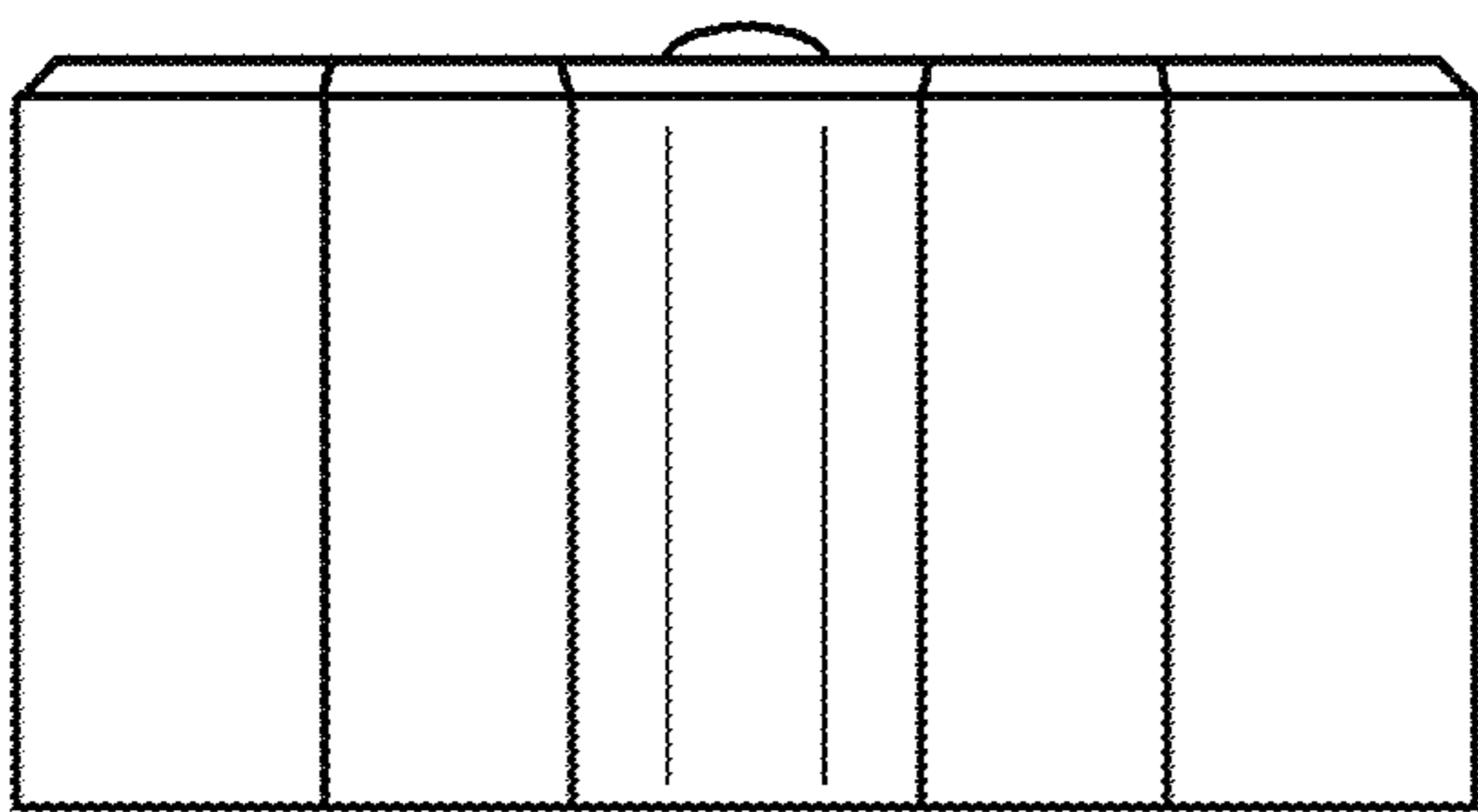


FIG. 7

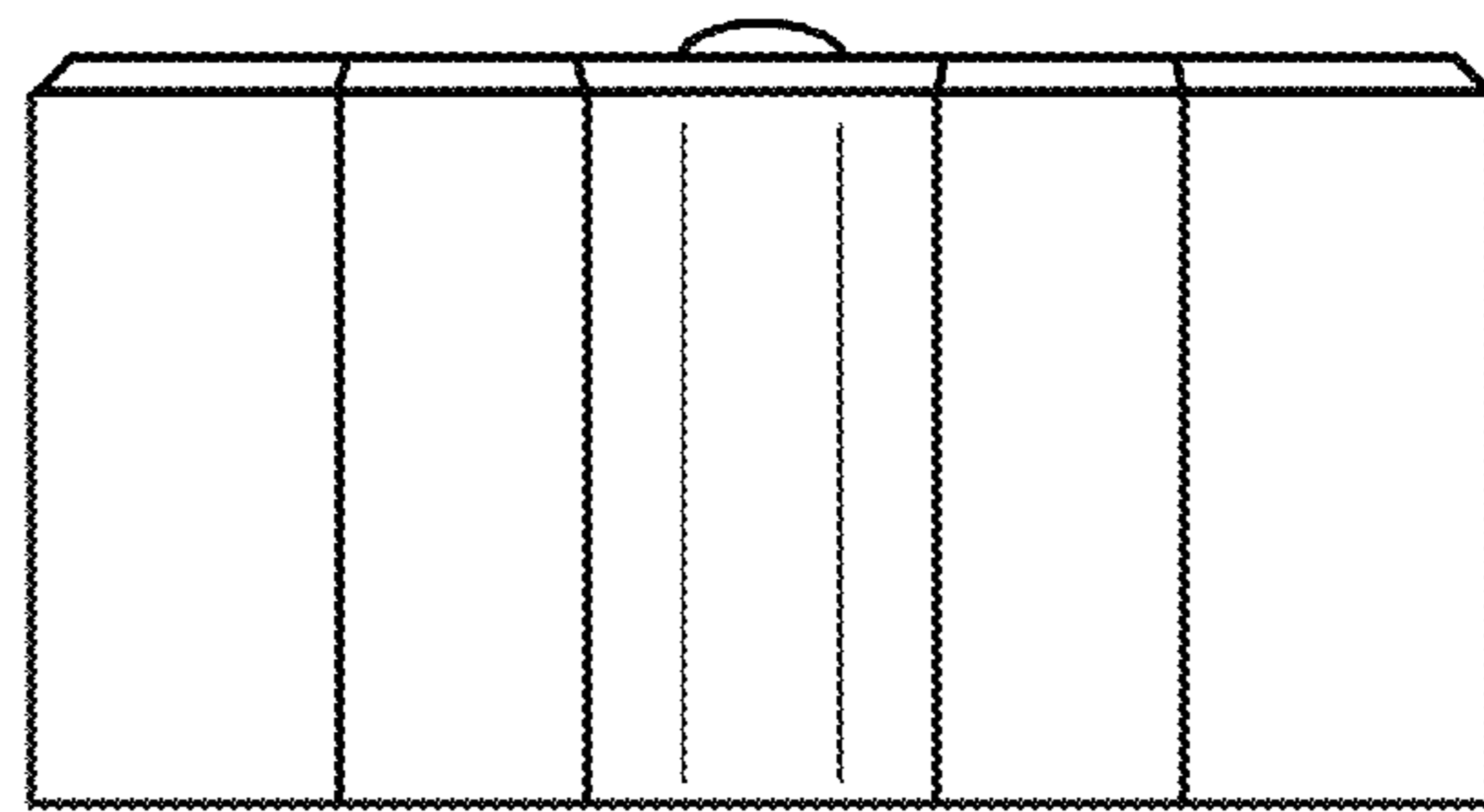


FIG. 8

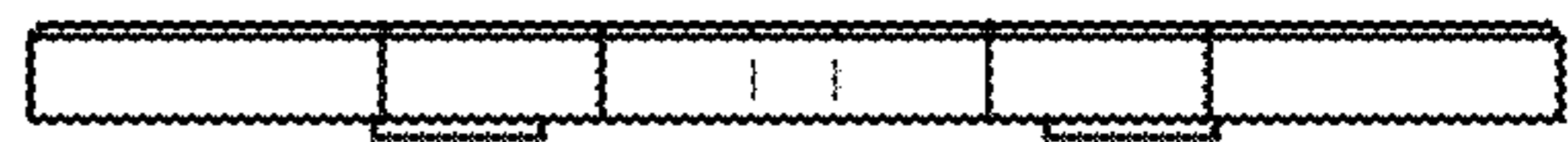
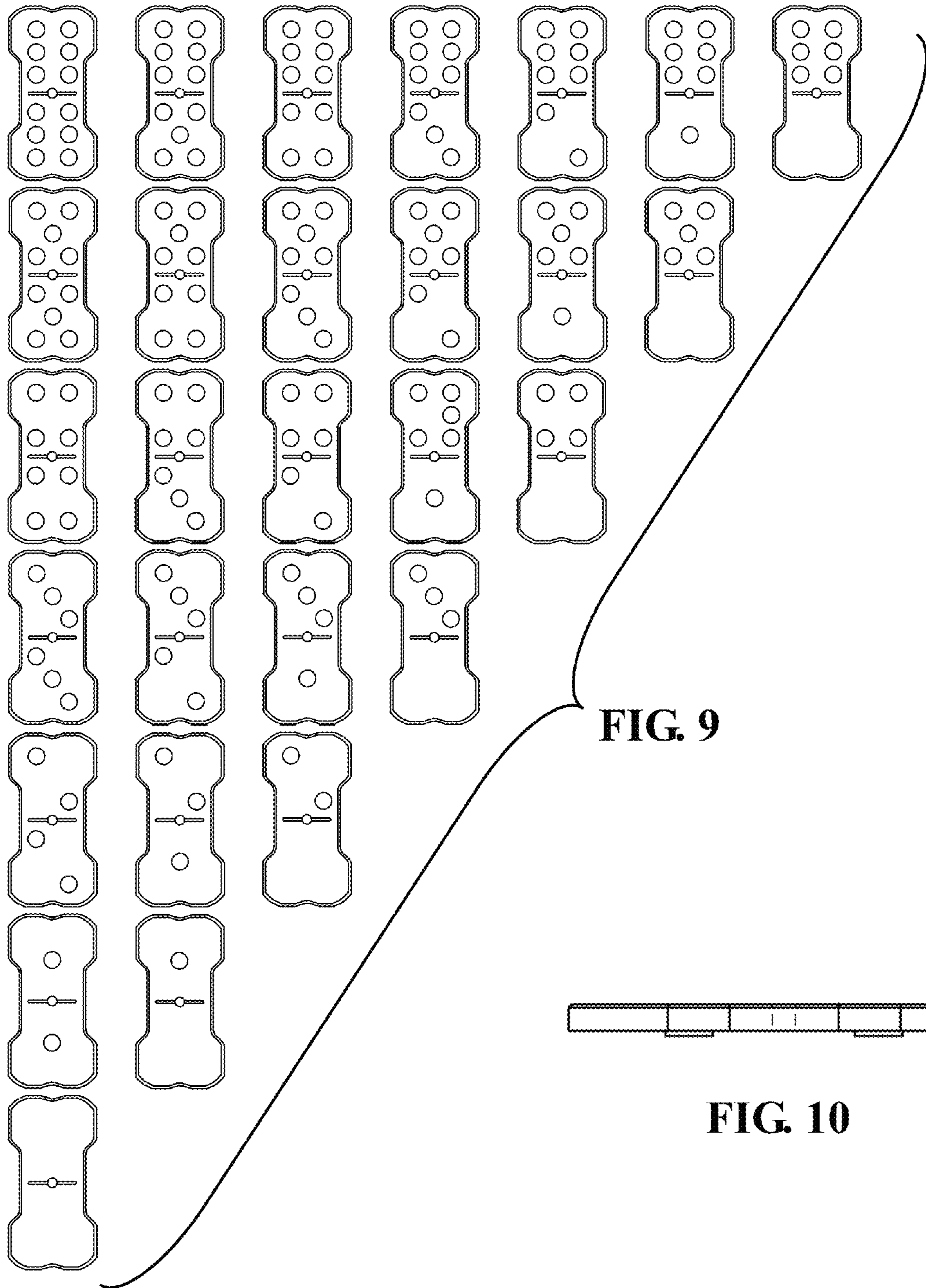


FIG. 10

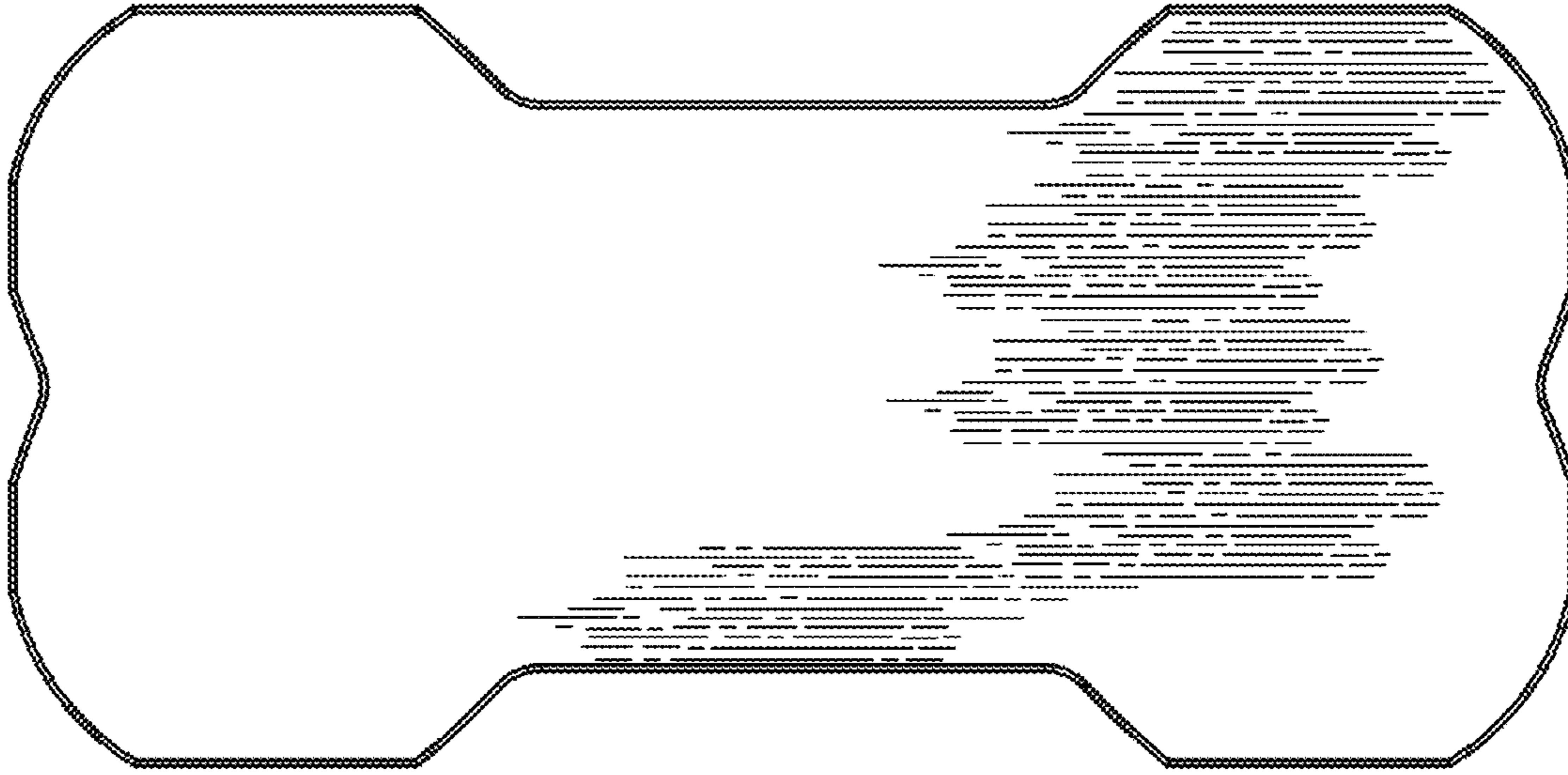


FIG. 11

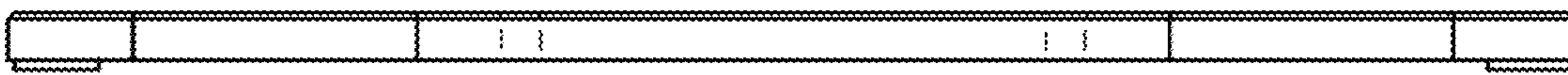


FIG. 12

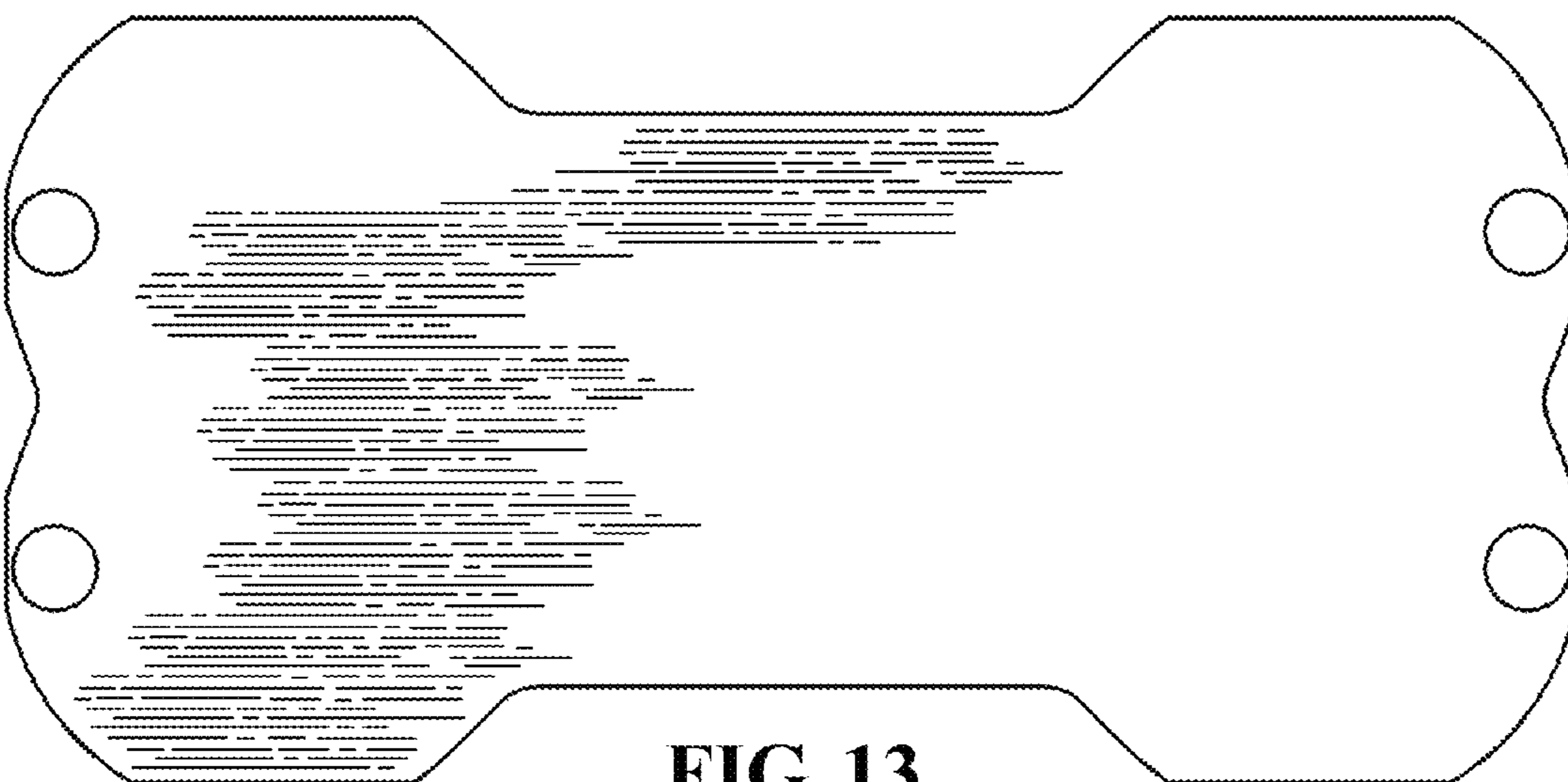


FIG. 13

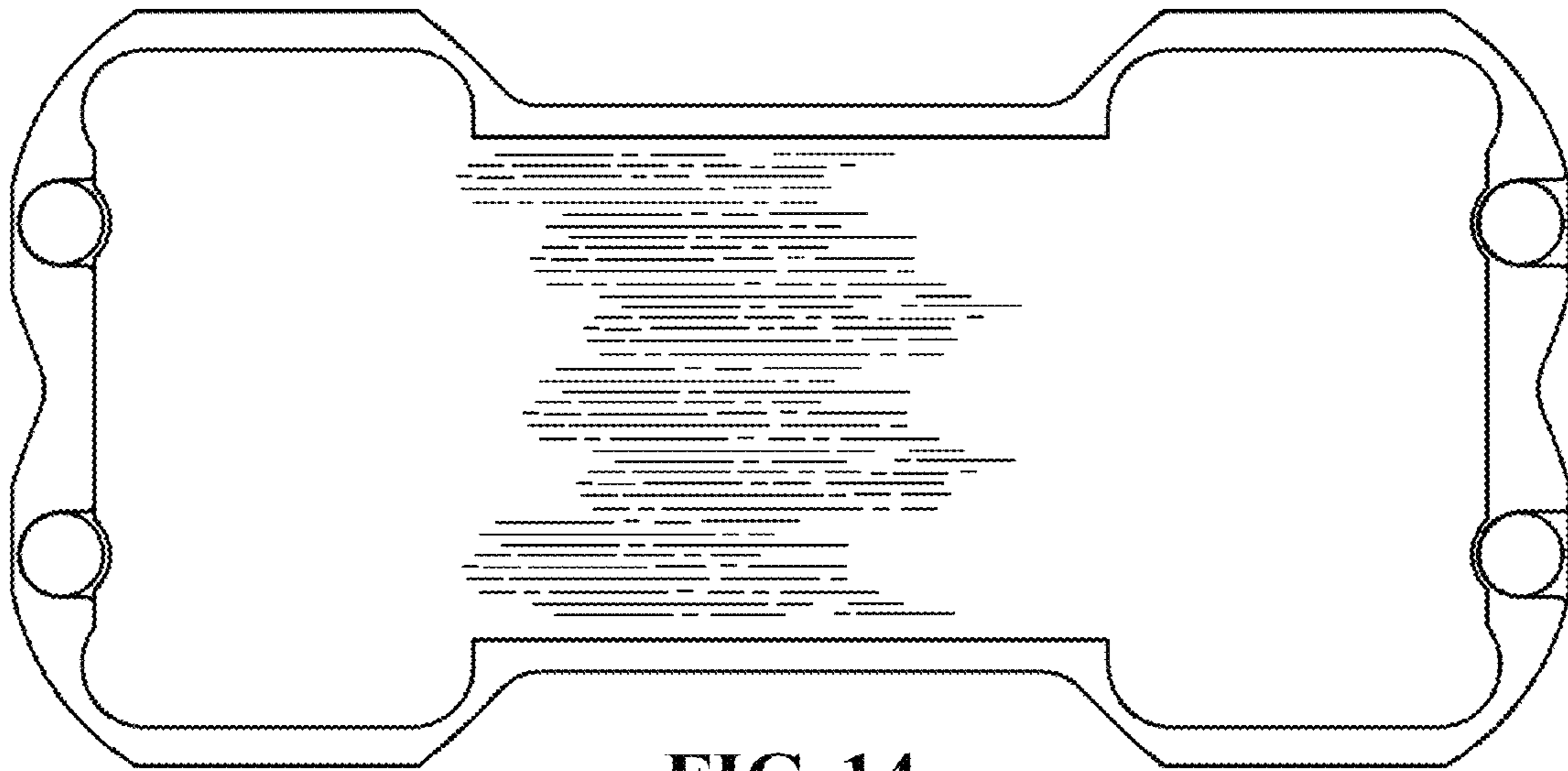


FIG. 14



FIG. 15

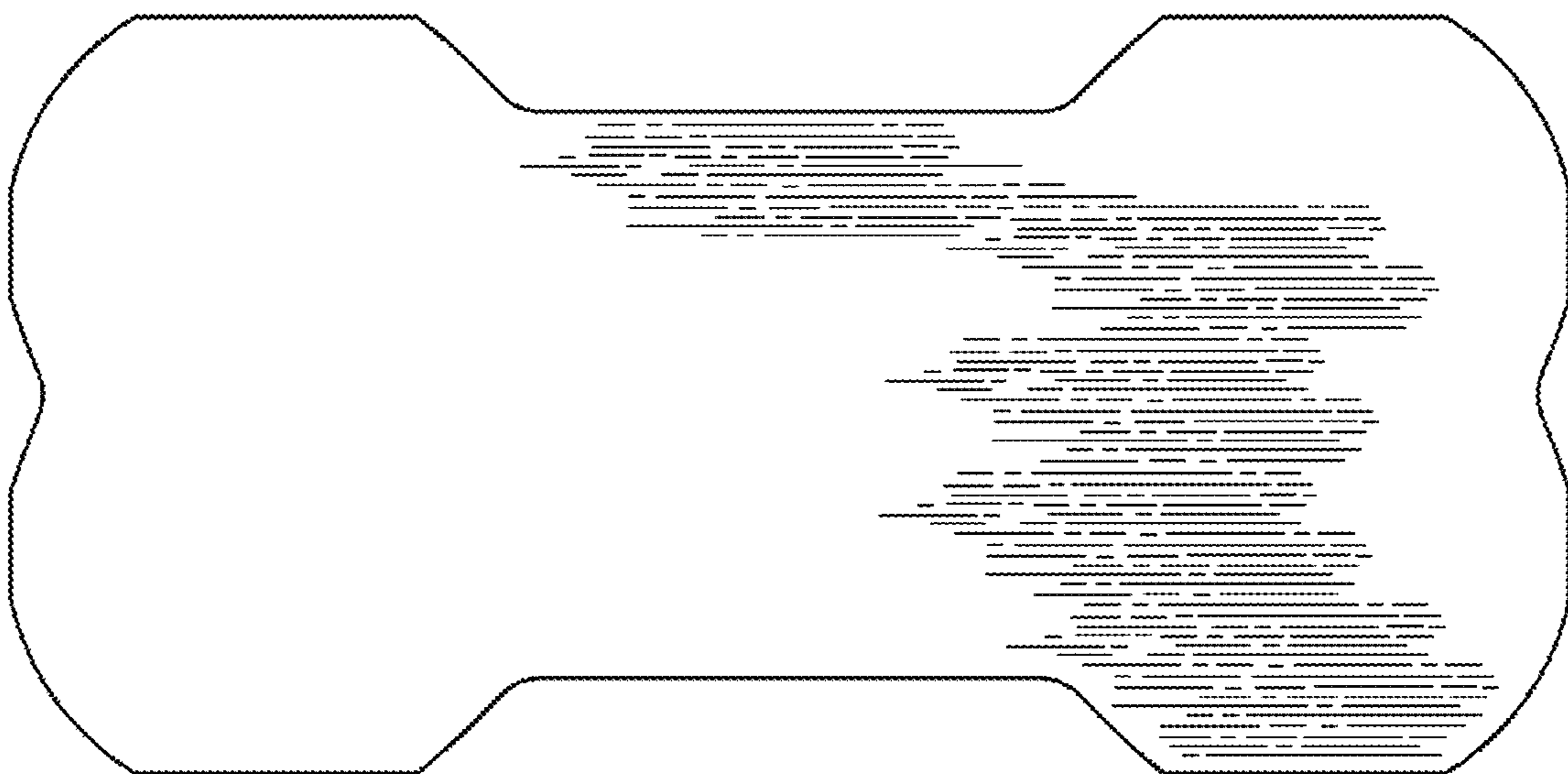


FIG. 16

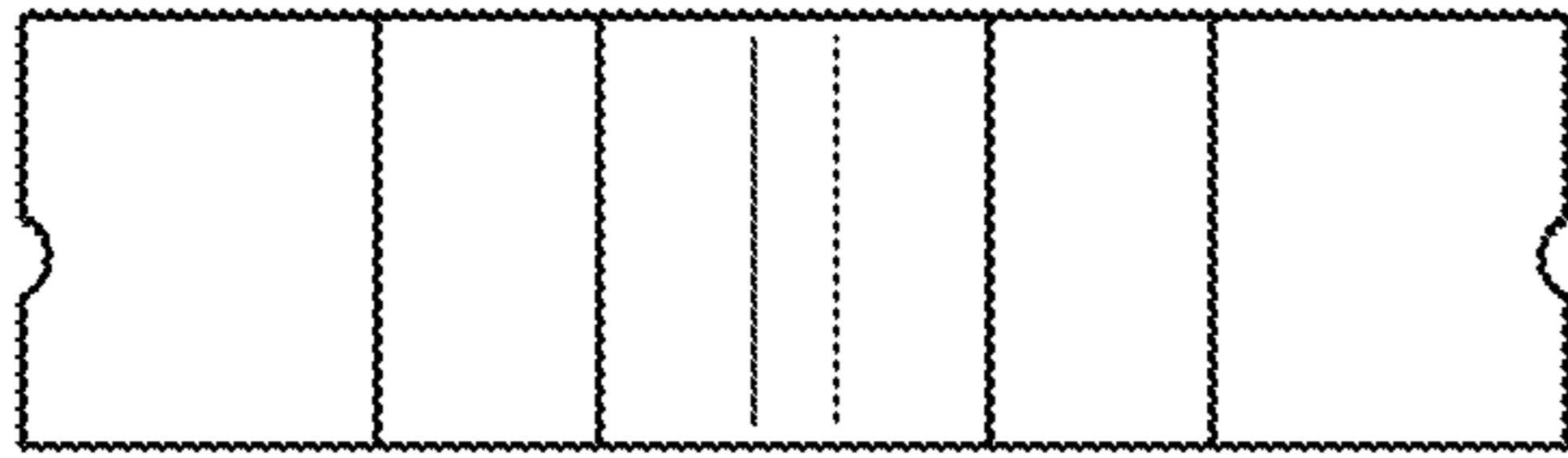


FIG. 17

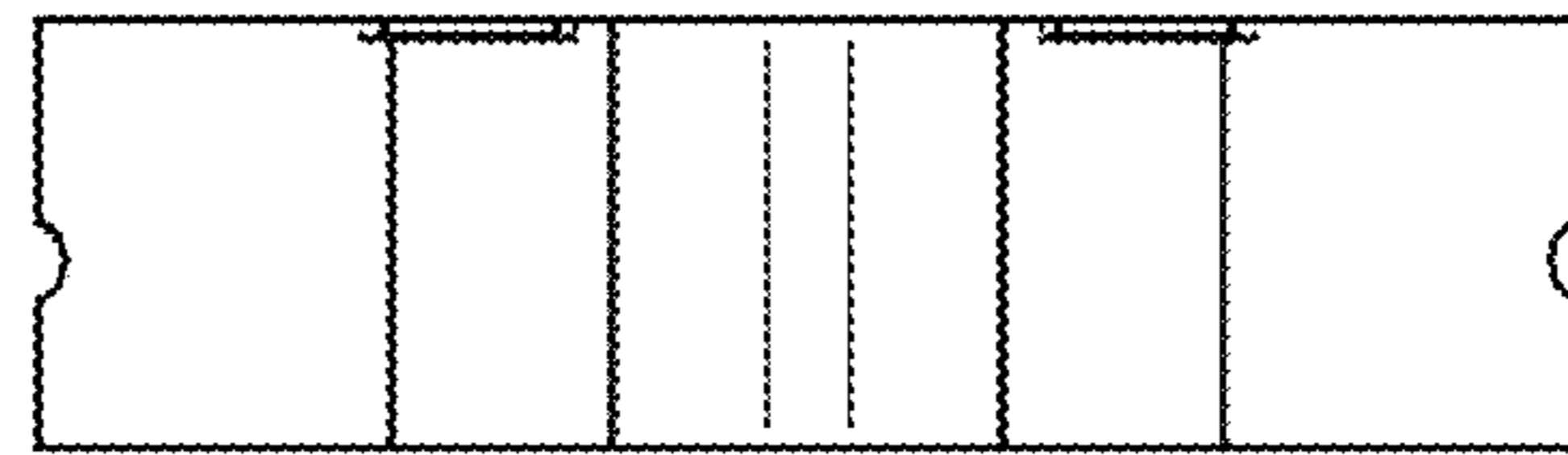


FIG. 18

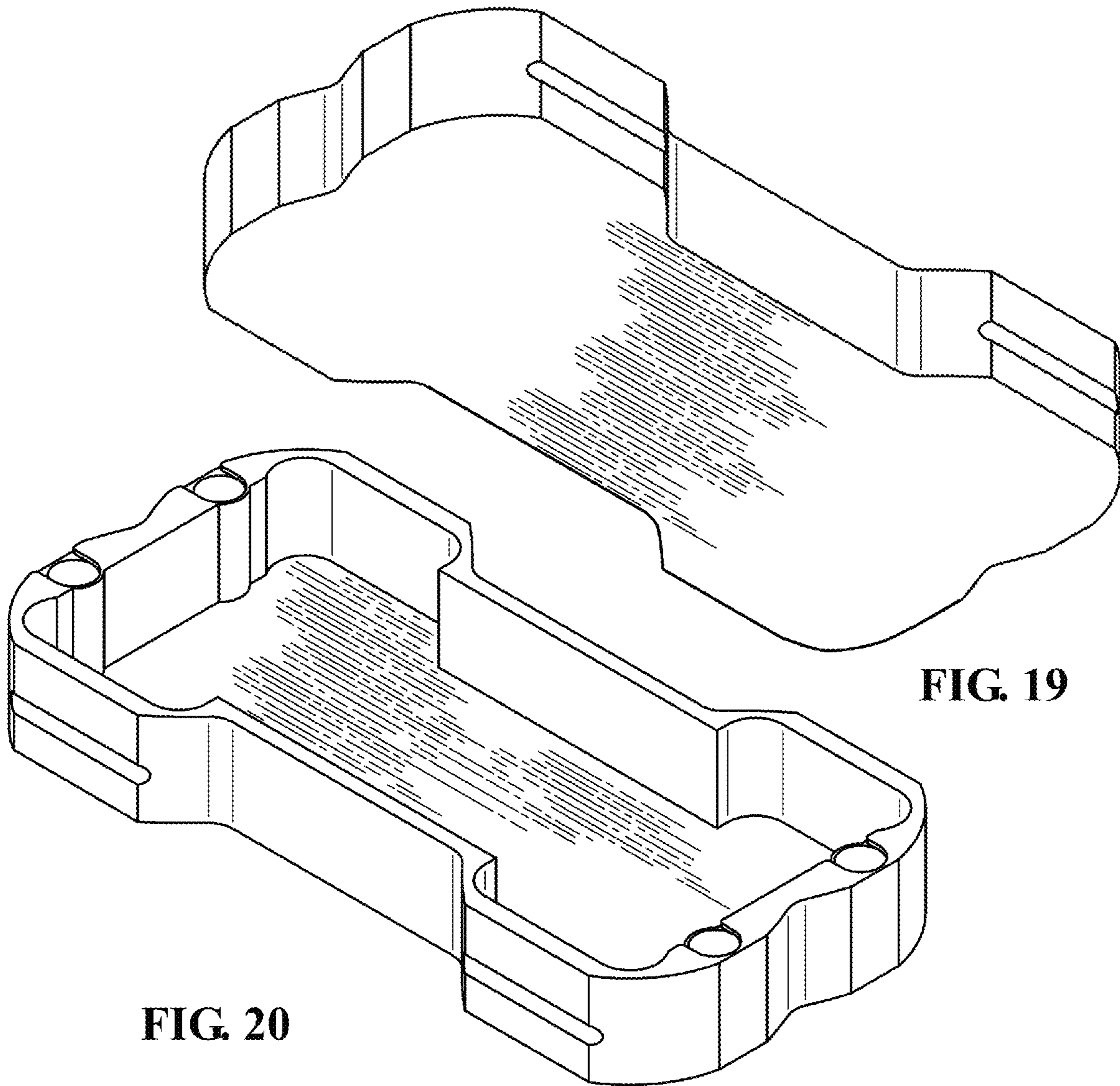


FIG. 19

FIG. 20