



US00D739890S

(12) **United States Design Patent**
Ogawa et al.

(10) **Patent No.:** **US D739,890 S**
(45) **Date of Patent:** **** Sep. 29, 2015**

(54) **FLANGE FOR XEROGRAPHIC PHOTORECEPTOR**

(71) Applicant: **Fuji Electric Co., Ltd.**, Kawasaki-shi, Kanagawa (JP)

(72) Inventors: **Yuji Ogawa**, Nagano (JP); **Keiichi Kurokawa**, Nagano (JP)

(73) Assignee: **Fuji Electronic Co., Ltd.**, Kanagawa-shi, Kanagawa (JP)

(**) Term: **14 Years**

(21) Appl. No.: **29/491,835**

(22) Filed: **May 26, 2014**

(30) **Foreign Application Priority Data**

Feb. 13, 2014 (JP) D2014-002887

(51) **LOC (10) Cl.** **16-03**

(52) **U.S. Cl.**
USPC **D18/43**

(58) **Field of Classification Search**
USPC D18/35, 40, 43, 49, 56, 99; D14/432, D14/471, 483, 484; 347/197, 222; 399/96, 399/111, 113, 167, 262
See application file for complete search history.

(56) **References Cited**

U.S. PATENT DOCUMENTS

D667,049 S * 9/2012 Park et al. D18/43
D677,718 S * 3/2013 Huck et al. D18/43

(Continued)

OTHER PUBLICATIONS

Written Invitation and Notification of Grounds for Rejection in JP priority application No. D2014-002887, dated Sep. 2, 2014, and translations.

(Continued)

Primary Examiner — Eric Goodman
Assistant Examiner — Amy Wierenga

(74) *Attorney, Agent, or Firm* — Young Basile Hanlon & MacFarlane P.C.

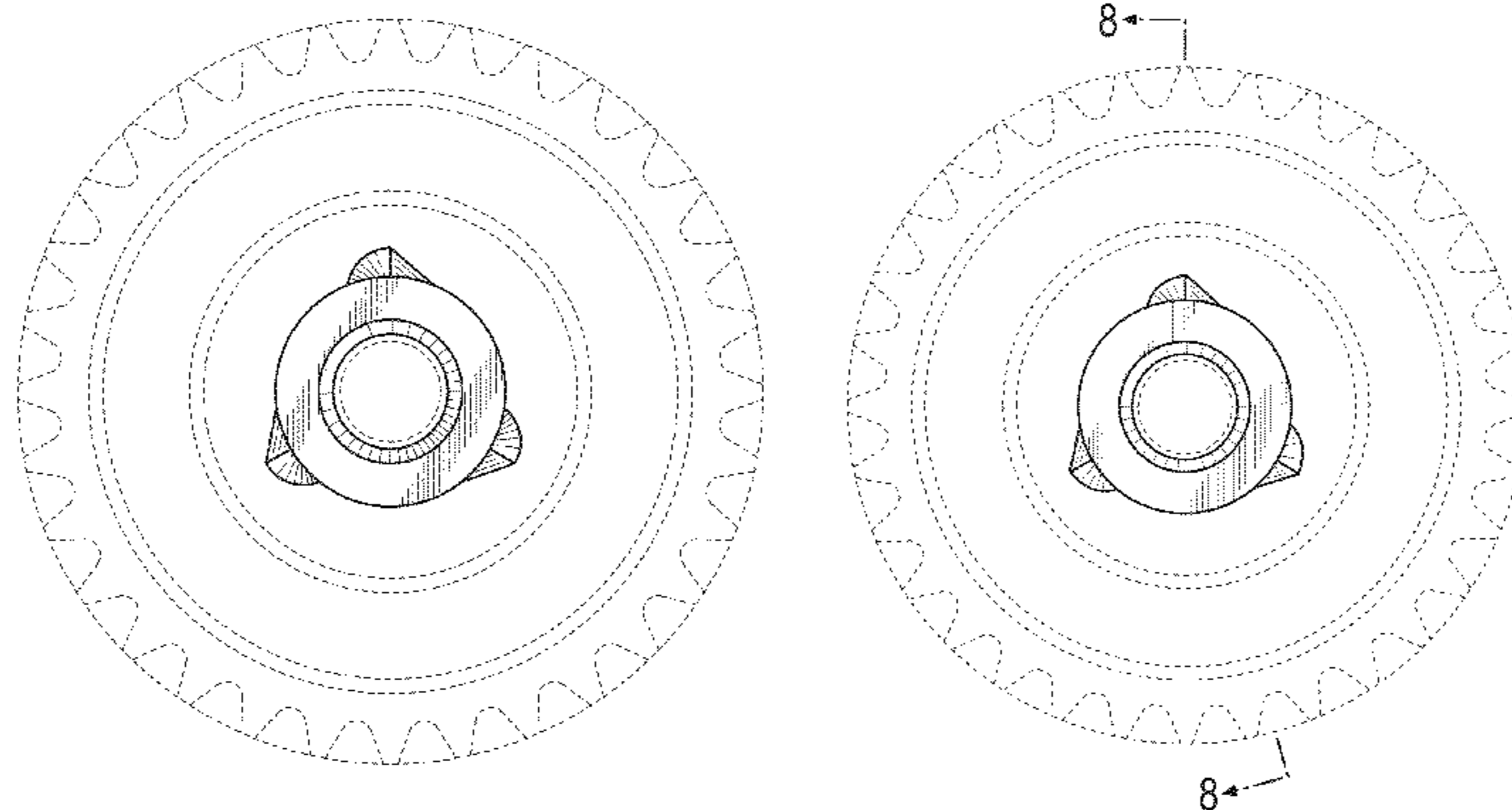
(57) **CLAIM**

The ornamental design for a flange for xerographic photoreceptor, as shown and described.

DESCRIPTION

FIG. 1 is a front view embodying the flange for xerographic photoreceptor according to our new design;
FIG. 2 is a rear view of the flange for xerographic photoreceptor of FIG. 1;
FIG. 3 is a left side view of the flange for xerographic photoreceptor of FIG. 1;
FIG. 4 is a right side view of the flange for xerographic photoreceptor of FIG. 1;
FIG. 5 is a top view of the flange for xerographic photoreceptor of FIG. 1;
FIG. 6 is a bottom view of the flange for xerographic photoreceptor of FIG. 1;
FIG. 7 is a right side view of the flange for xerographic photoreceptor of FIG. 1, including a cross-sectional area;
FIG. 8 is a cross-sectional view of the flange for xerographic photoreceptor of FIG. 1 taken along dashed line 8-8 of FIG. 7;
FIG. 9 is a perspective view of the flange for xerographic photoreceptor of FIG. 1, showing the right side, front and top thereof;
FIG. 10 is a perspective view of the flange for xerographic photoreceptor of FIG. 1, showing the right side, rear and top thereof; and,
FIG. 11 is an alternate front view of the flange for xerographic photoreceptor of FIG. 1.
The broken-line drawings in all views of the xerographic photoreceptor are for environmental purposes only and form no part of the claimed design.
The ornamental design of the present disclosure is a flange that can be fitted in an open end of a xerographic photoreceptor (also called a photoconductor drum). The xerographic photoreceptor can be incorporated in a process cartridge to be removably installed in electro-photographic application equipment, such as a copying machine, etc., and receives a rotational driving force from an apparatus main body. The xerographic photoreceptor is rotated by the rotational driving force to be transmitted to the flange to print a latent image of the xerographic photoreceptor on print media.

1 Claim, 11 Drawing Sheets



(56)

References Cited

U.S. PATENT DOCUMENTS

D678,398 S * 3/2013 Huck et al. D18/43
D678,401 S * 3/2013 Huck et al. D18/43
D678,940 S * 3/2013 Huck et al. D18/43
D679,751 S * 4/2013 Huck et al. D18/43
D683,392 S 5/2013 Kurokawa et al.
D683,393 S 5/2013 Kurokawa et al.
D683,788 S 6/2013 Kurokawa et al.
D685,023 S 6/2013 Kurokawa et al.
8,538,295 B2 * 9/2013 Huck et al. 399/167
D696,342 S * 12/2013 Lewis D18/43
D698,859 S 2/2014 Kurokawa et al.
D698,860 S 2/2014 Kurokawa et al.
D698,861 S * 2/2014 Huang et al. D18/43
D699,281 S 2/2014 Kurokawa et al.

D699,282 S 2/2014 Kurokawa et al.
D702,286 S * 4/2014 Huck et al. D18/43
D706,340 S * 6/2014 Lee et al. D18/43
8,818,241 B2 * 8/2014 Swartz et al. 399/159
8,886,087 B2 * 11/2014 Wu et al. 399/117
2012/0257906 A1 * 10/2012 Zhao 399/111
2014/0010576 A1 * 1/2014 Wu et al. 399/167
2014/0133886 A1 * 5/2014 Kurokawa et al. 399/167
2014/0140728 A1 * 5/2014 Huang et al. 399/167

OTHER PUBLICATIONS

Written Invitation and Notification of Grounds for Rejection in JP application No. D2014-002888, dated Sep. 2, 2014, and translations (priority application for U.S. Appl. No. 29/491,837, filed May 26, 2014.

* cited by examiner

Fig. 1

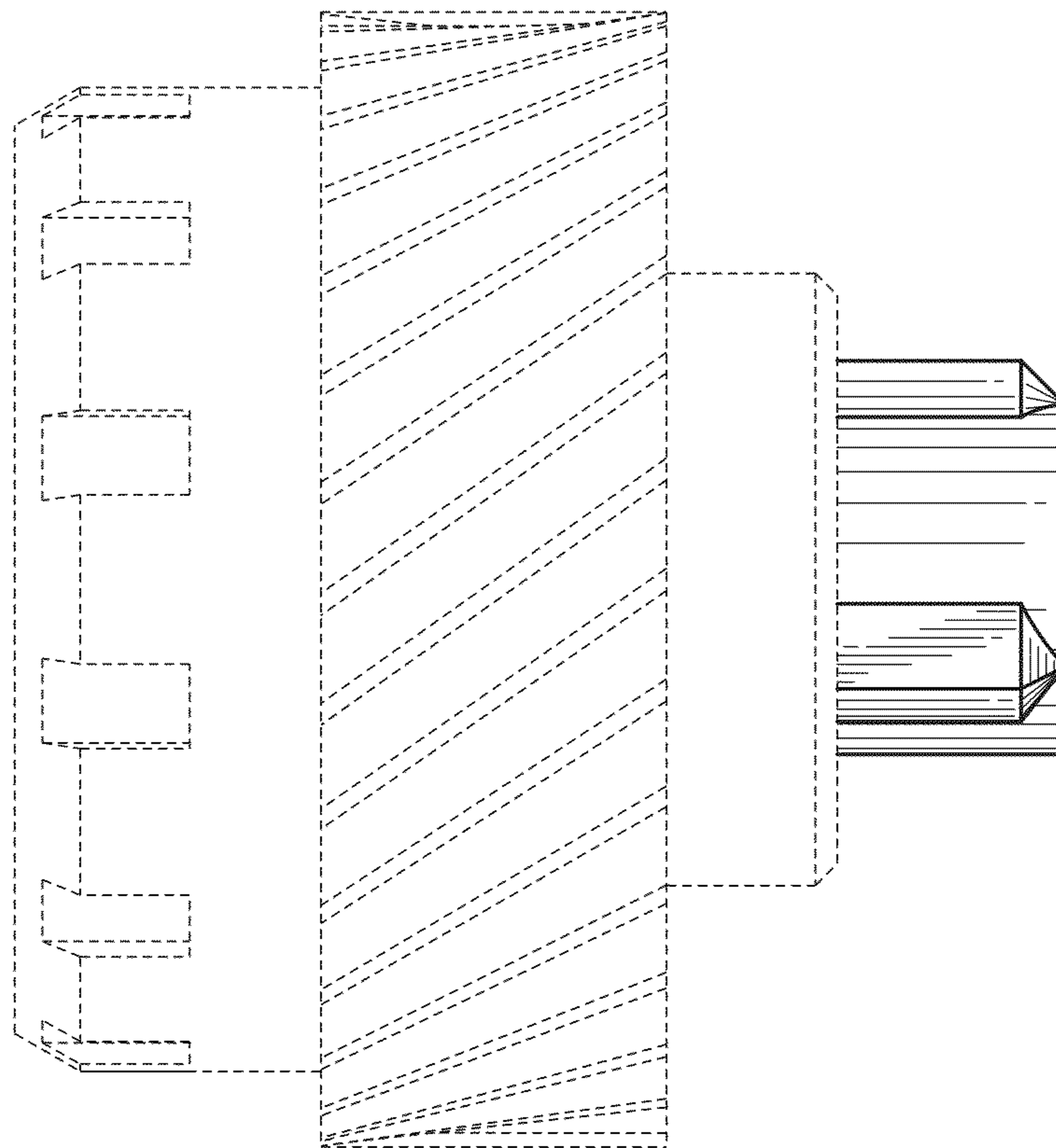


Fig.2

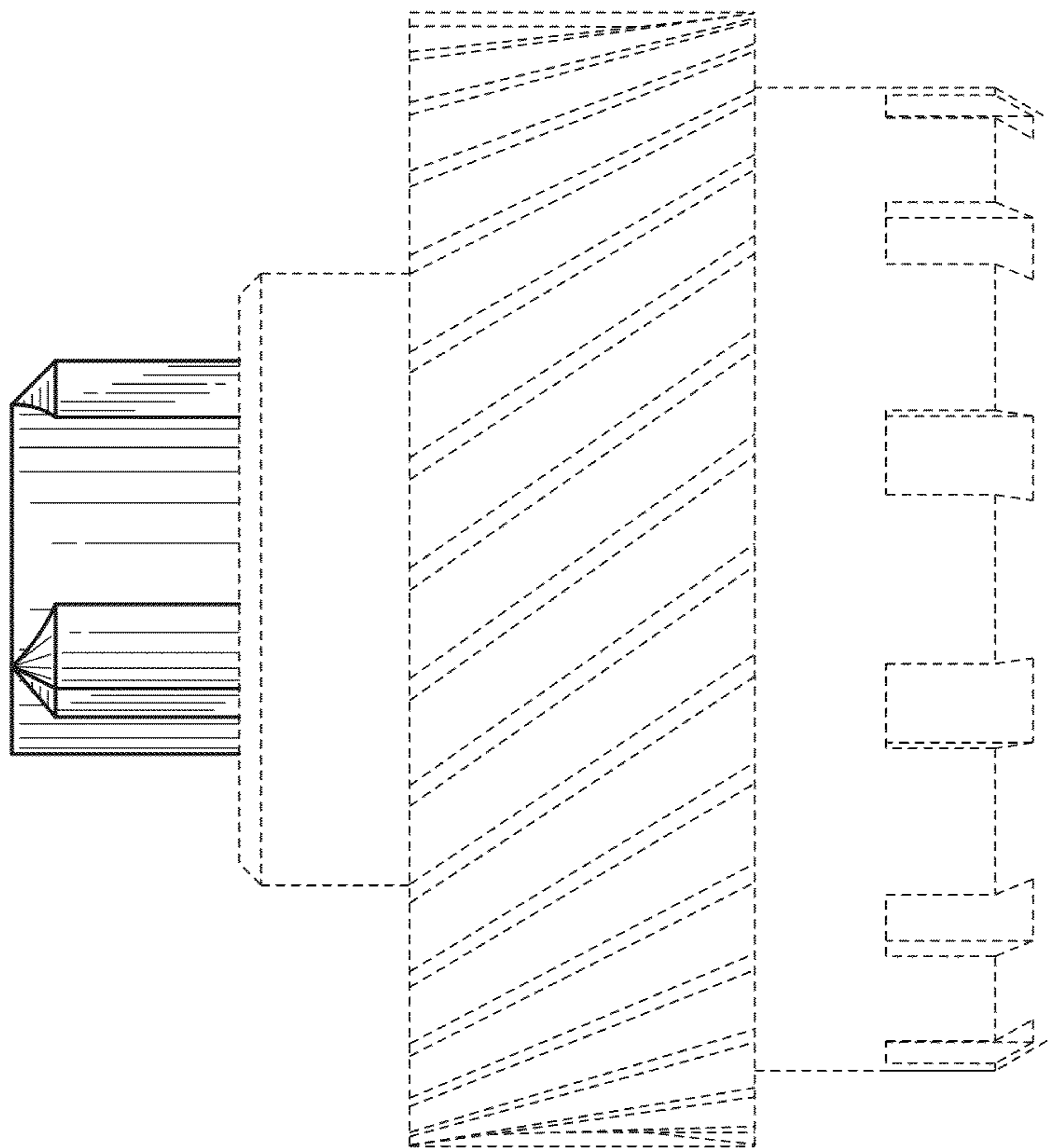


Fig.3

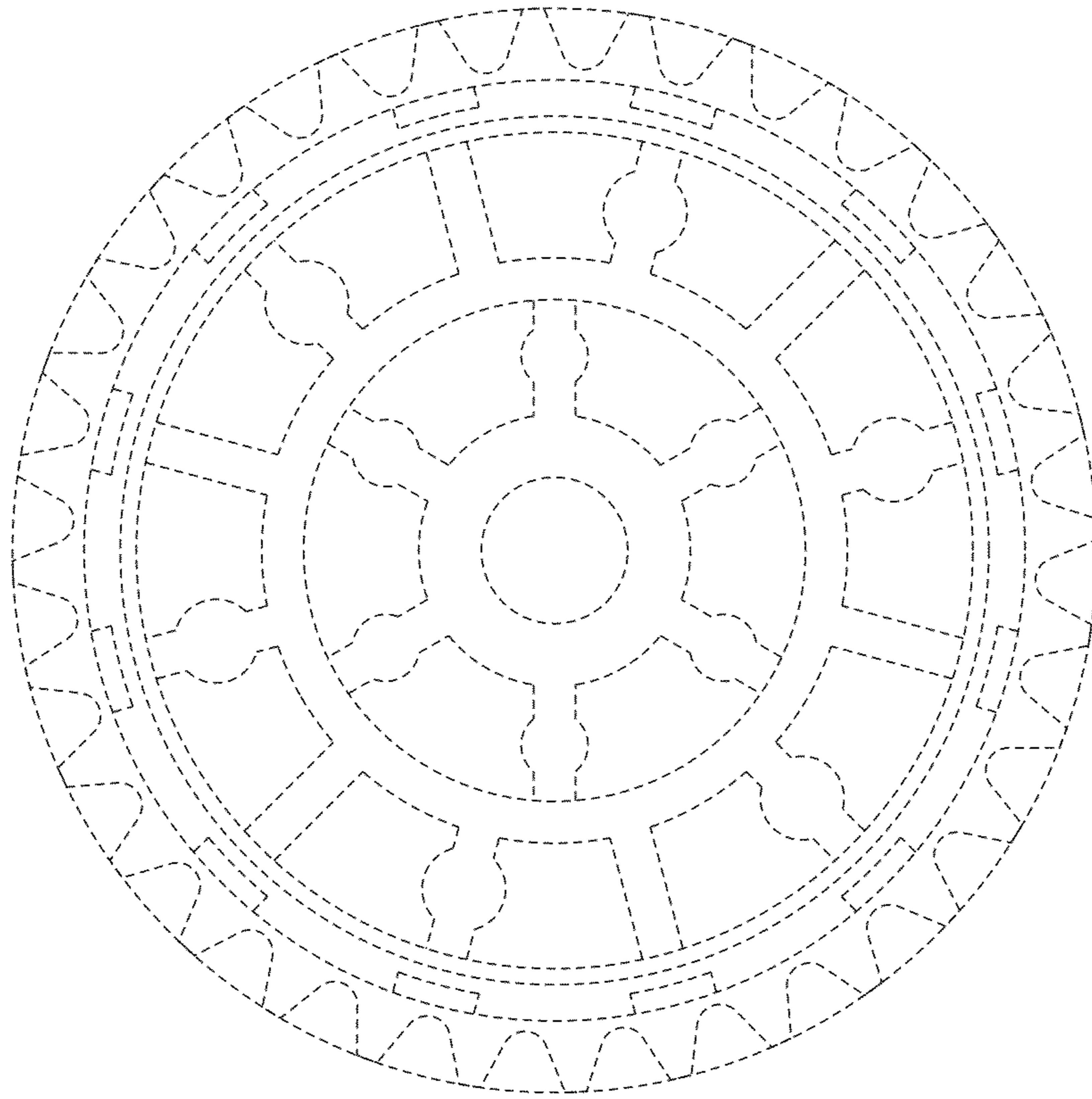


Fig. 4

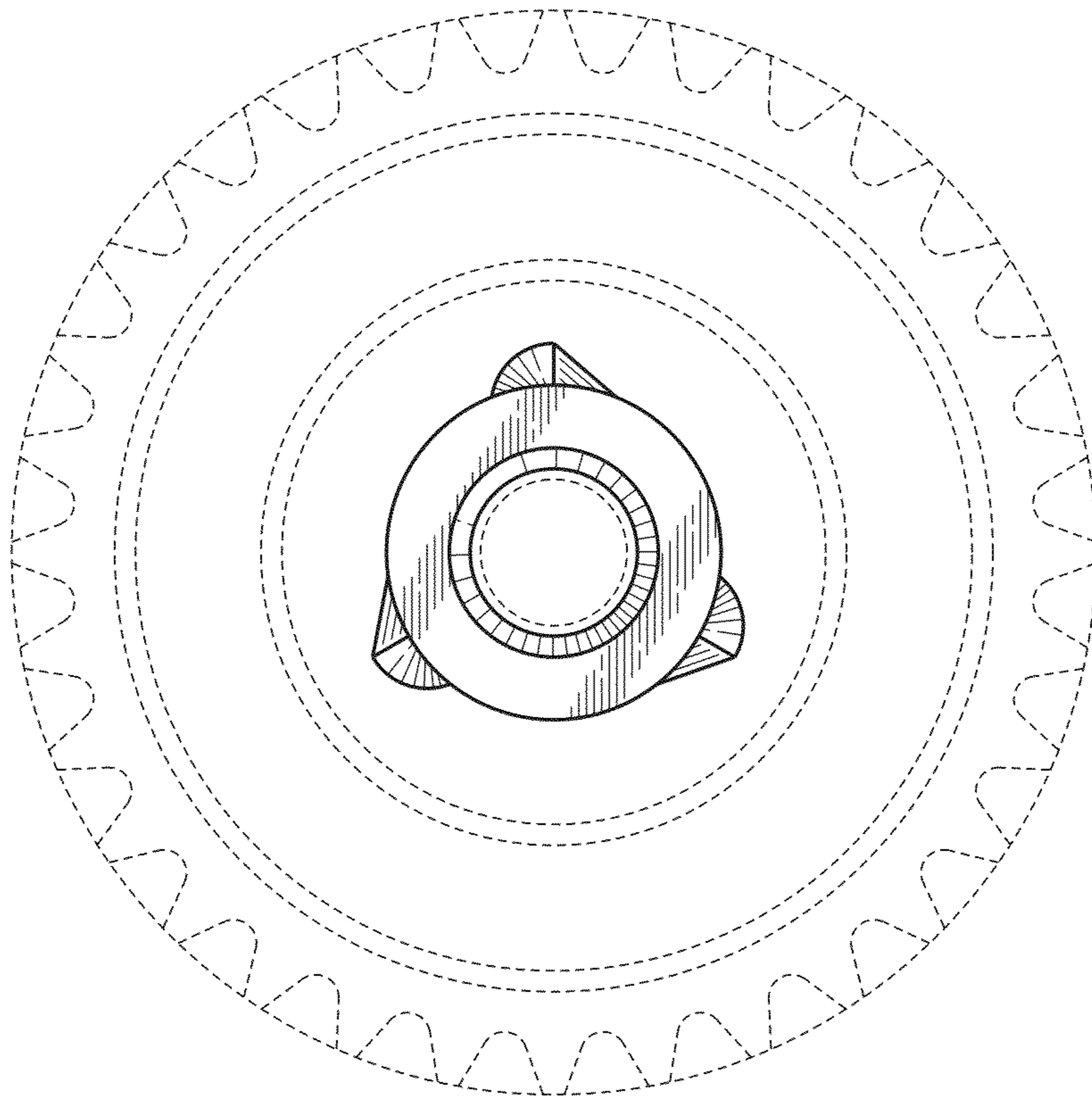


Fig. 5

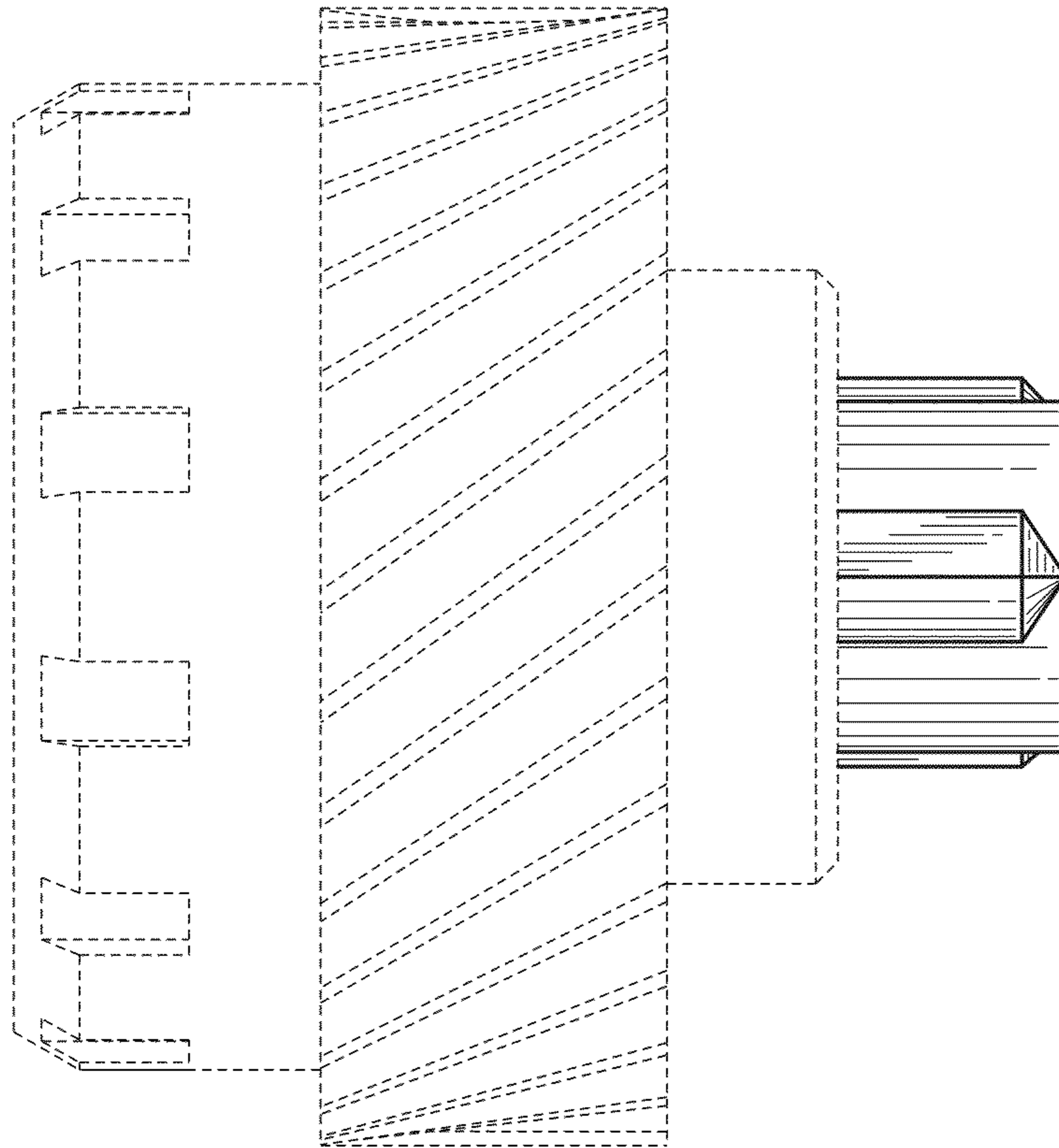


Fig. 6

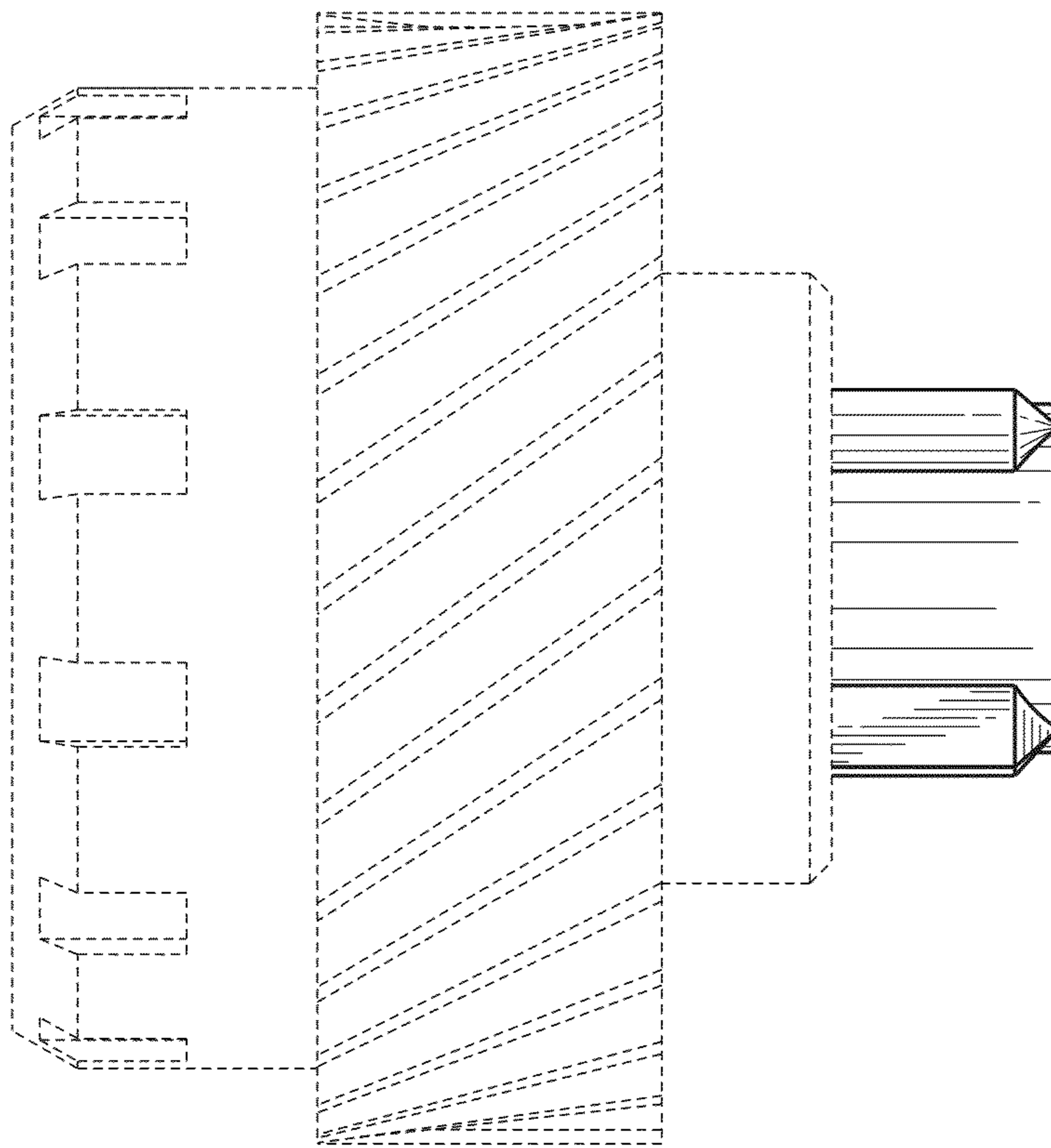


Fig. 7

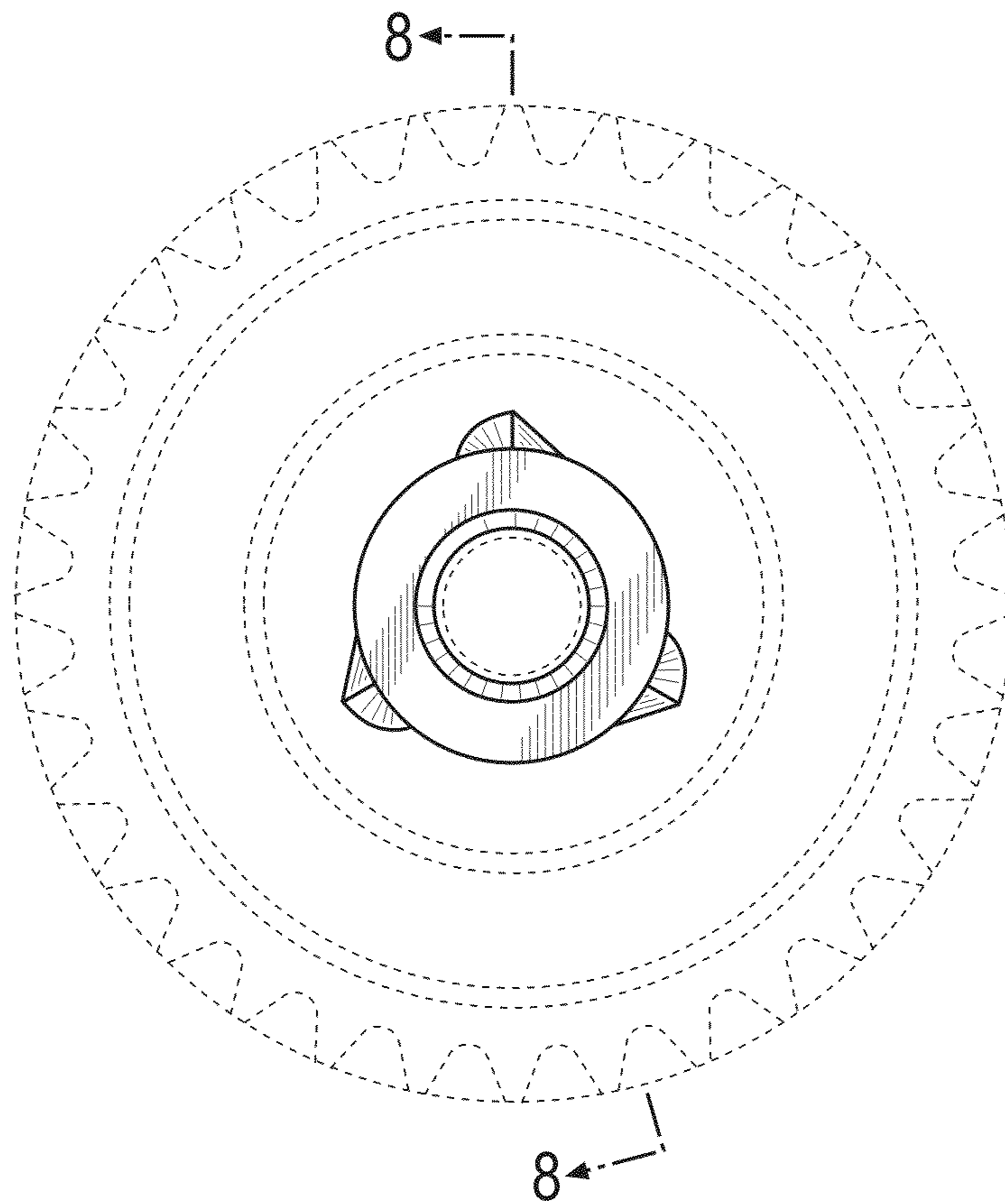


Fig. 8

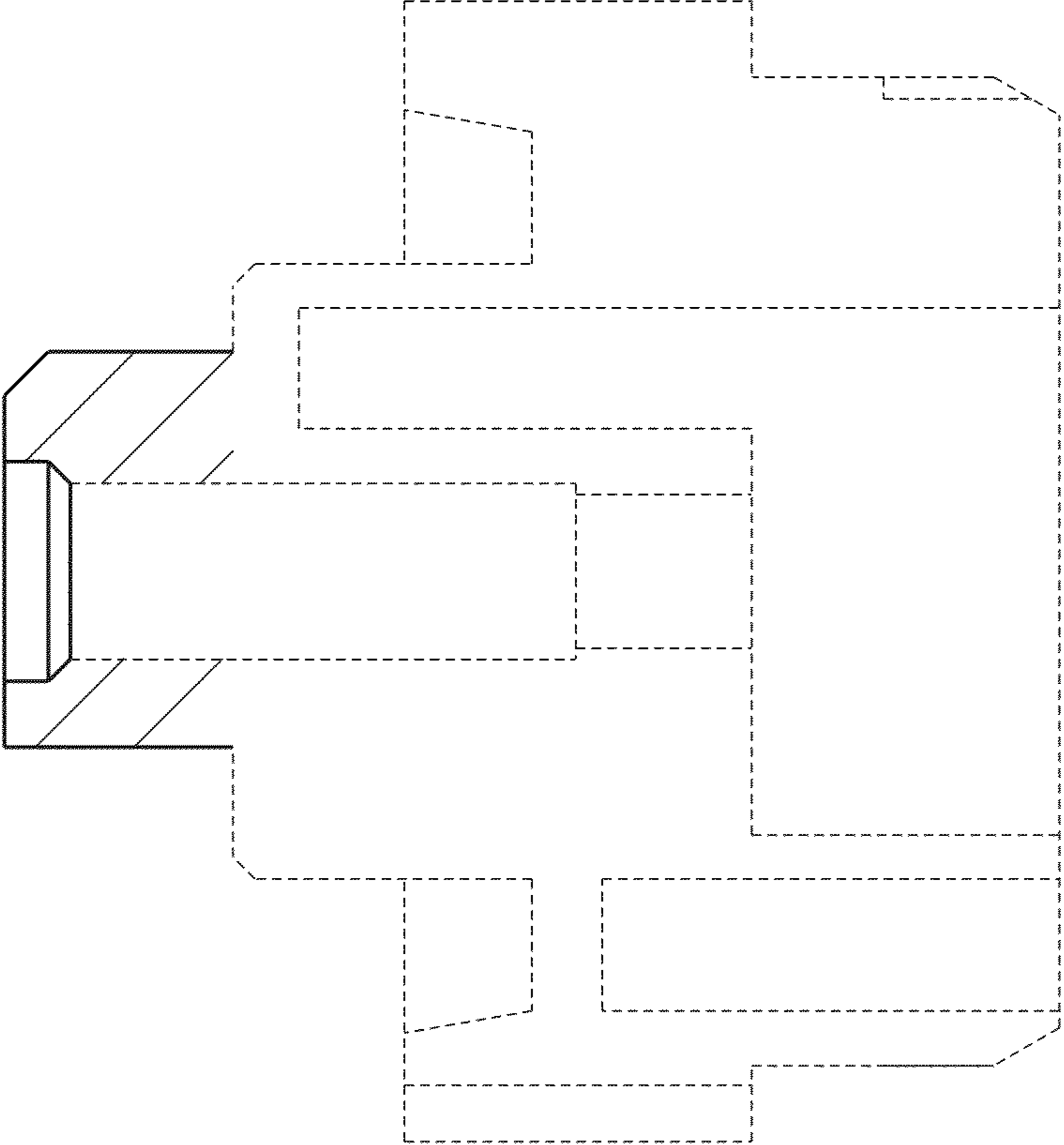


Fig.9

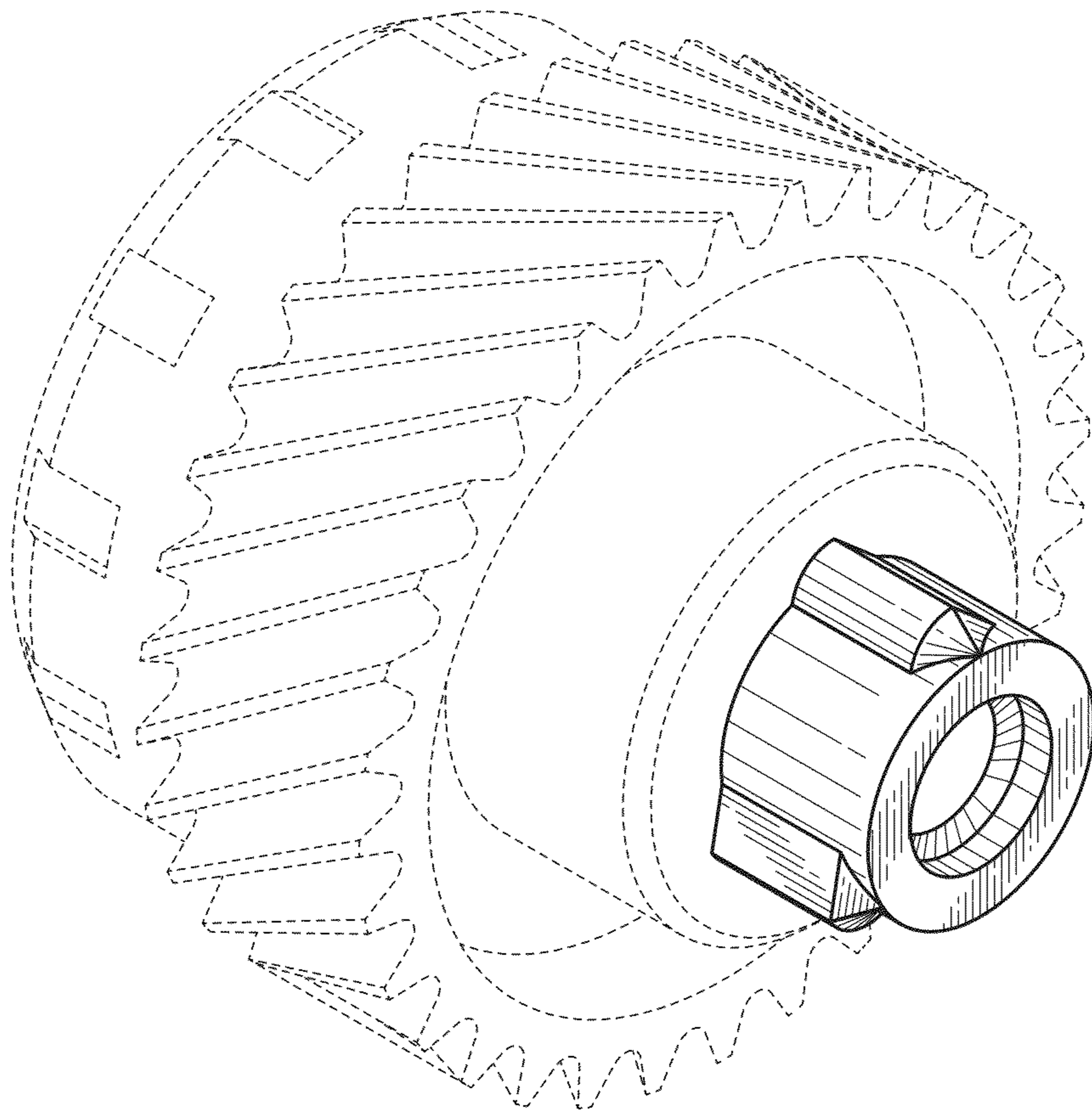


Fig. 10

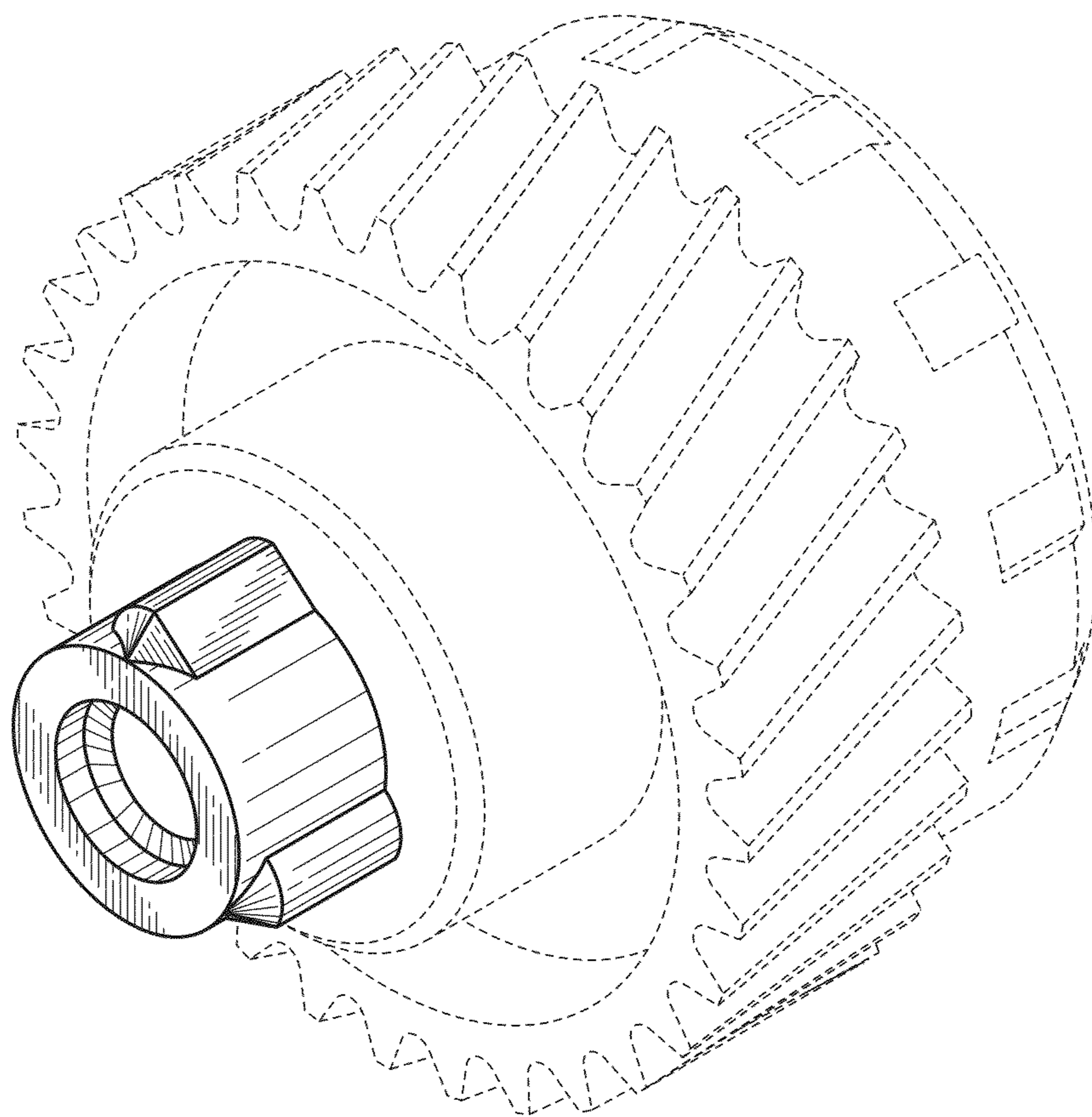


Fig. 11

