



US00D739888S

(12) **United States Design Patent**  
**Liang**

(10) **Patent No.:** **US D739,888 S**

(45) **Date of Patent:** **\*\* Sep. 29, 2015**

(54) **CAMERA**

(71) Applicant: **Robert Bosch GmbH**, Stuttgart (DE)

(72) Inventor: **Gary Liang**, Taipei (TW)

(73) Assignee: **Robert Bosch GmbH**, Stuttgart (DE)

(\*\*) Term: **14 Years**

(21) Appl. No.: **29/496,022**

(22) Filed: **Jul. 8, 2014**

(30) **Foreign Application Priority Data**

Jan. 8, 2014 (EM) ..... 002381343

(51) **LOC (10) Cl.** ..... **16-01**

(52) **U.S. Cl.**  
USPC ..... **D16/203**

(58) **Field of Classification Search**  
USPC ..... D16/200–205, 208, 218; 348/373–376;  
358/906; 396/535–541  
See application file for complete search history.

(56) **References Cited**

**U.S. PATENT DOCUMENTS**

D426,844 S \* 6/2000 Fujii ..... D16/202  
6,683,654 B1 \* 1/2004 Haijima ..... 348/374  
D529,063 S \* 9/2006 Cheng ..... D16/203  
D612,410 S \* 3/2010 Deurwaarder ..... D16/203  
D614,222 S \* 4/2010 Yamakawa ..... D16/203

7,859,592 B2 \* 12/2010 Takahashi et al. .... 348/373  
D633,543 S \* 3/2011 Park ..... D16/203  
D642,607 S \* 8/2011 Bergstrom et al. .... D16/203  
D686,267 S \* 7/2013 Mihara et al. .... D16/203  
D694,797 S \* 12/2013 Parker ..... D16/203

\* cited by examiner

*Primary Examiner* — Adir Aronovich

(74) *Attorney, Agent, or Firm* — Maginot, Moore & Beck LLP

(57) **CLAIM**

The ornamental design for a camera, as shown and described.

**DESCRIPTION**

FIG. 1 is front, top and right side perspective view of a camera showing my new design;

FIG. 2 is a right side elevational view showing the design for the camera of FIG. 1;

FIG. 3 is a left side elevational view showing the design for the camera of FIG. 1;

FIG. 4 is a front elevational view showing the design for the camera of FIG. 1;

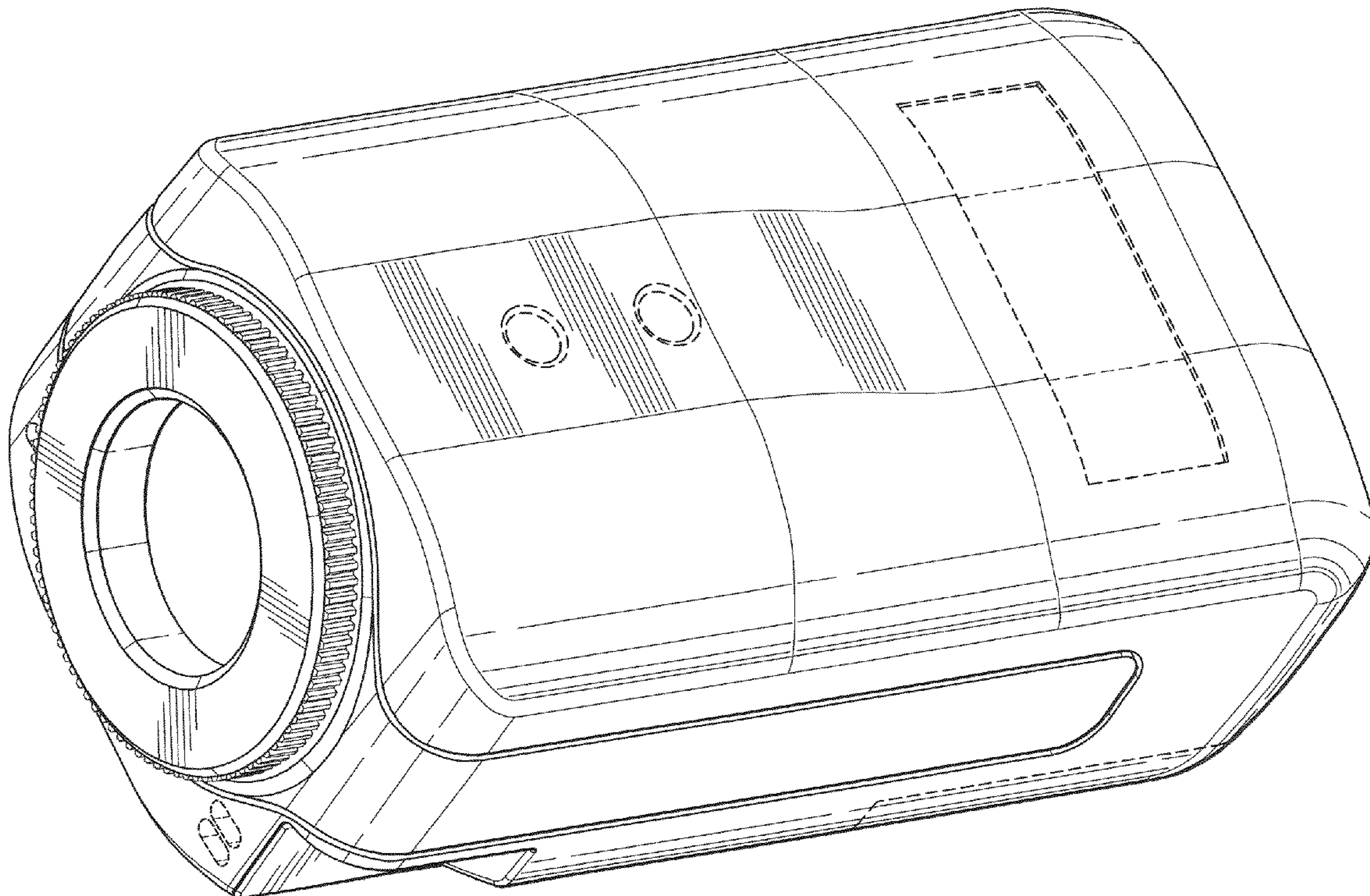
FIG. 5 is a rear elevational view showing the design for the camera of FIG. 1;

FIG. 6 is a top plan view showing the design for the camera of FIG. 1; and,

FIG. 7 is a bottom plan view showing the design for the camera of FIG. 1.

The broken lines in the drawings are shown to illustrate the portions of a camera in which the design is embodied and form no part of the claimed design.

**1 Claim, 7 Drawing Sheets**



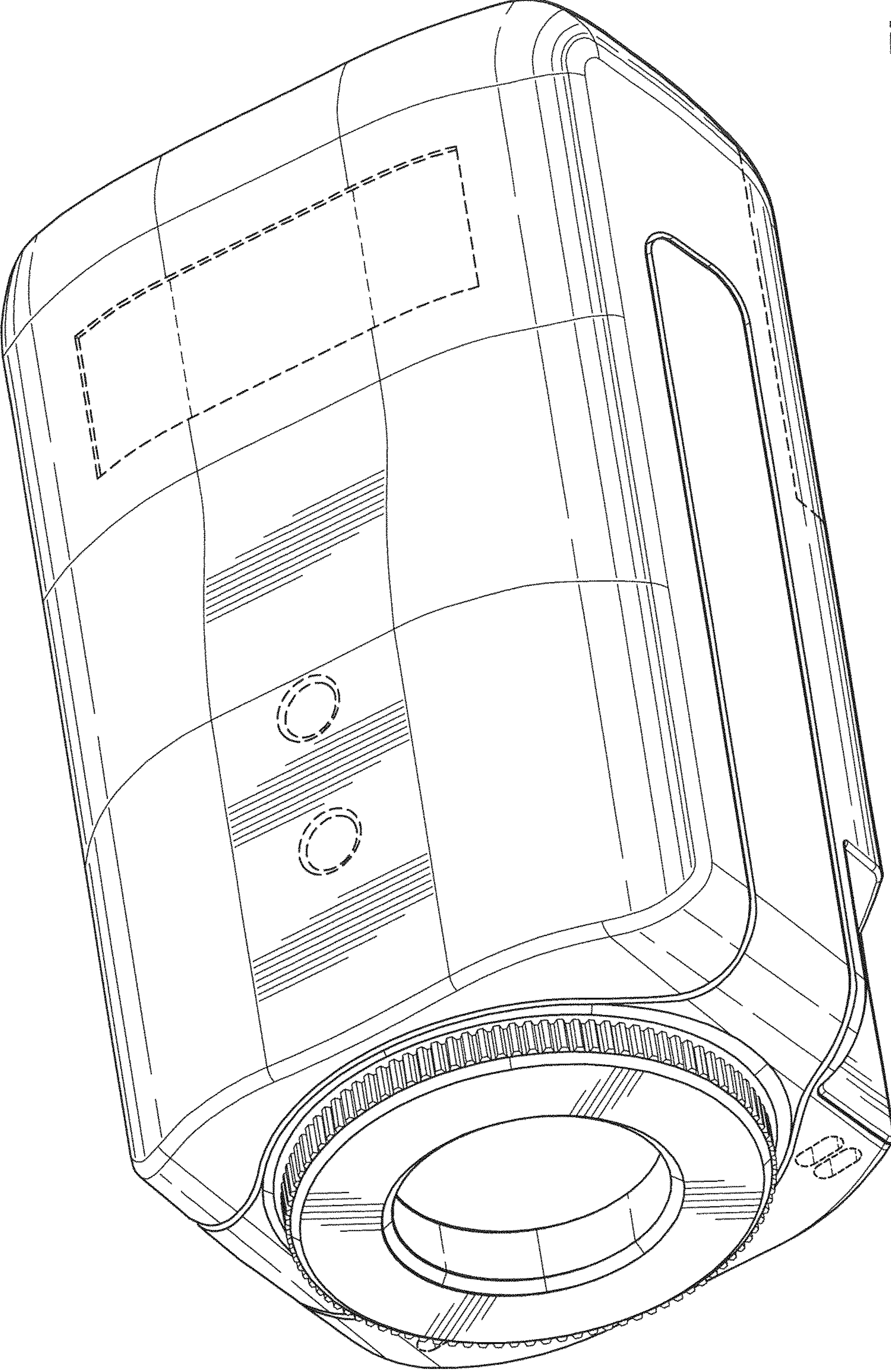


Fig. 1



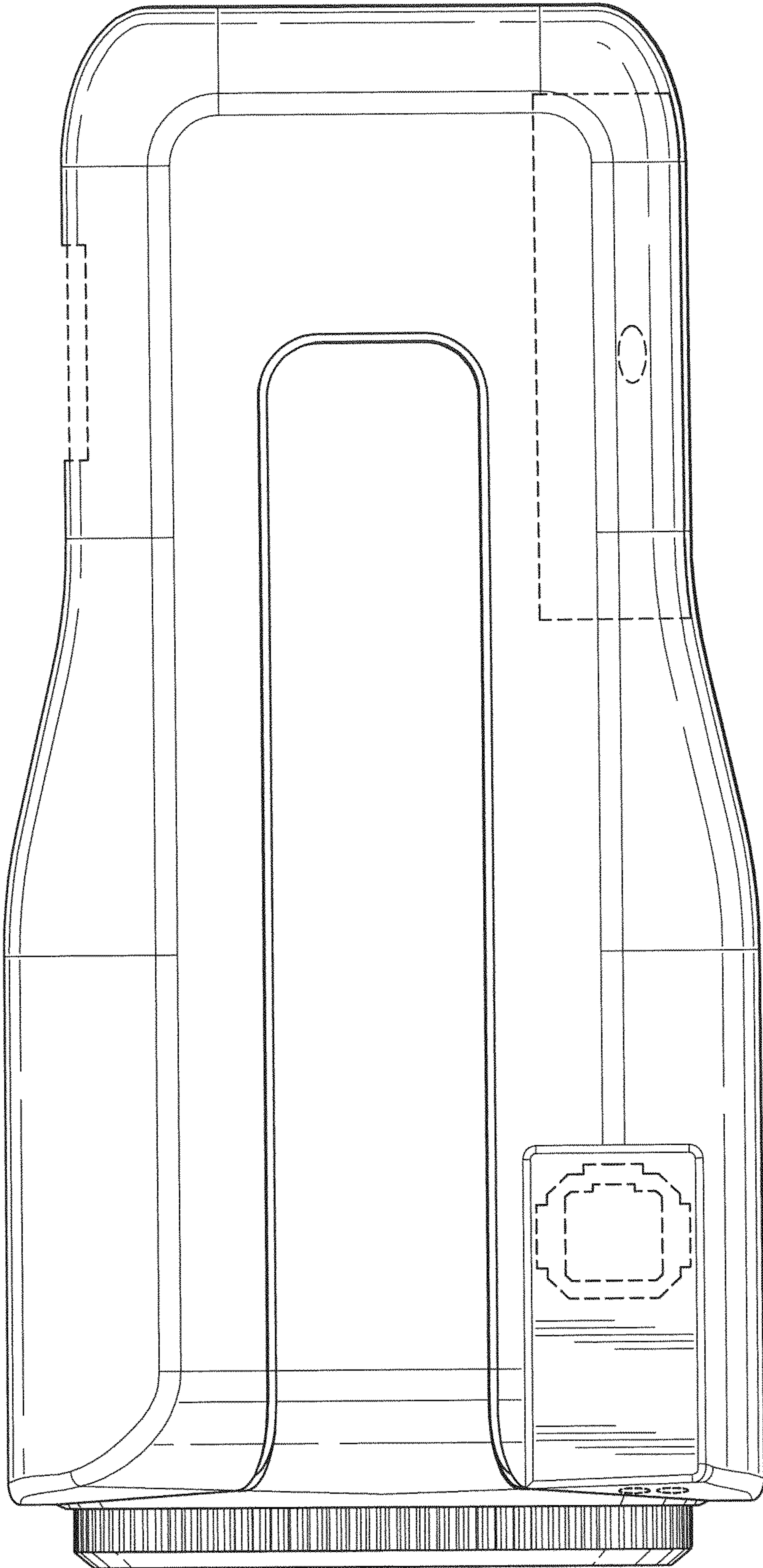


Fig. 2

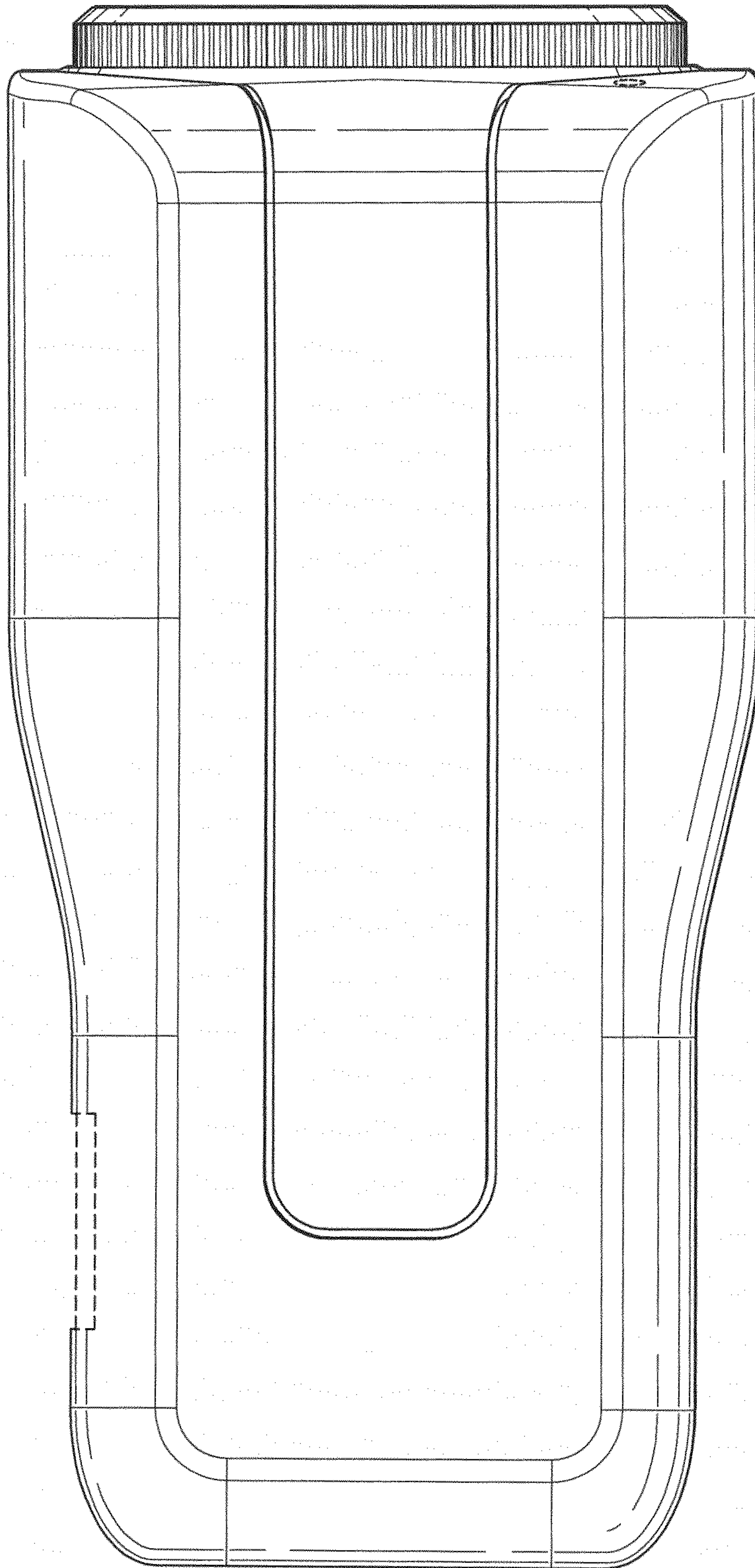


Fig. 3



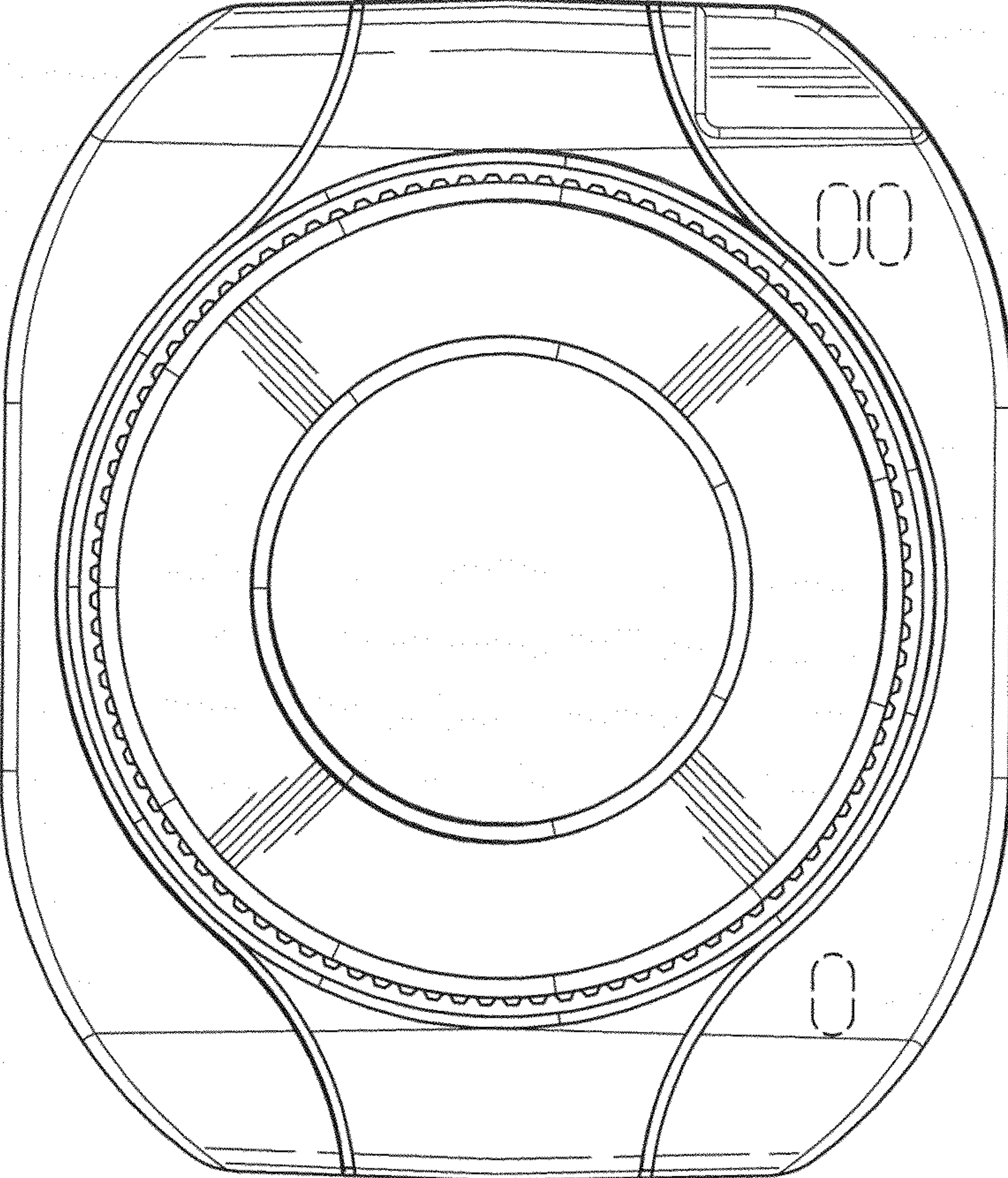


Fig. 4

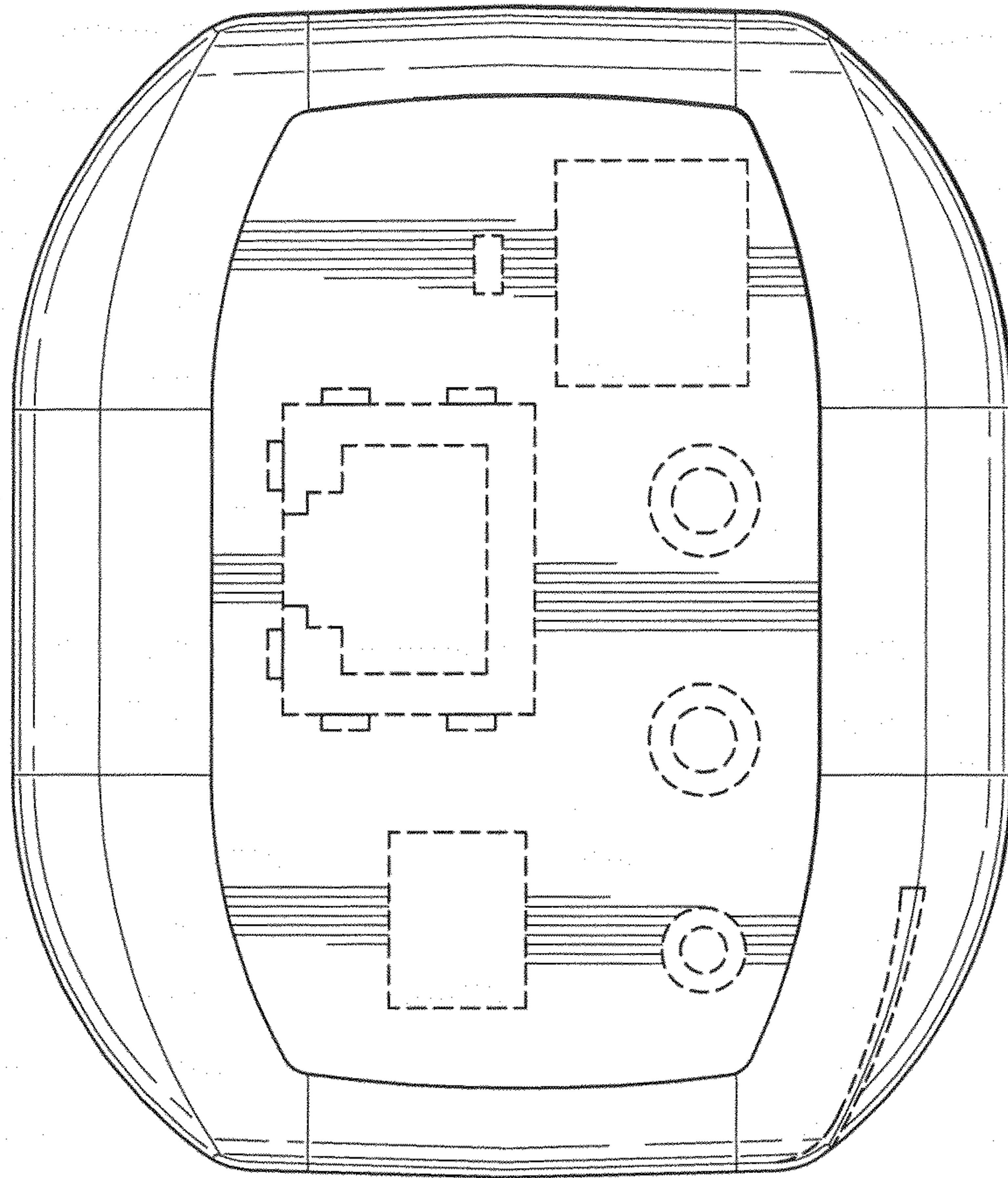


Fig. 5



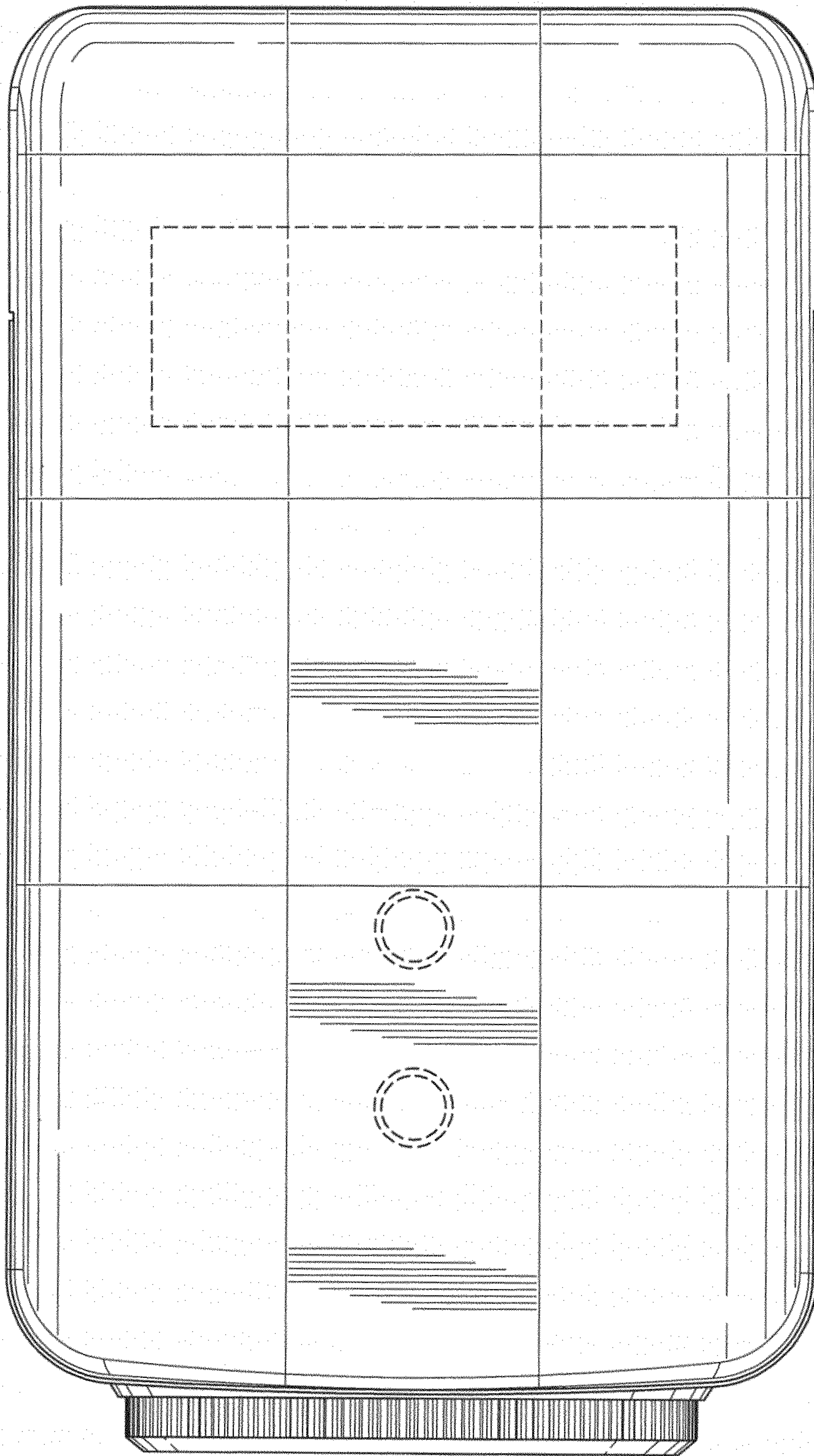


Fig. 6

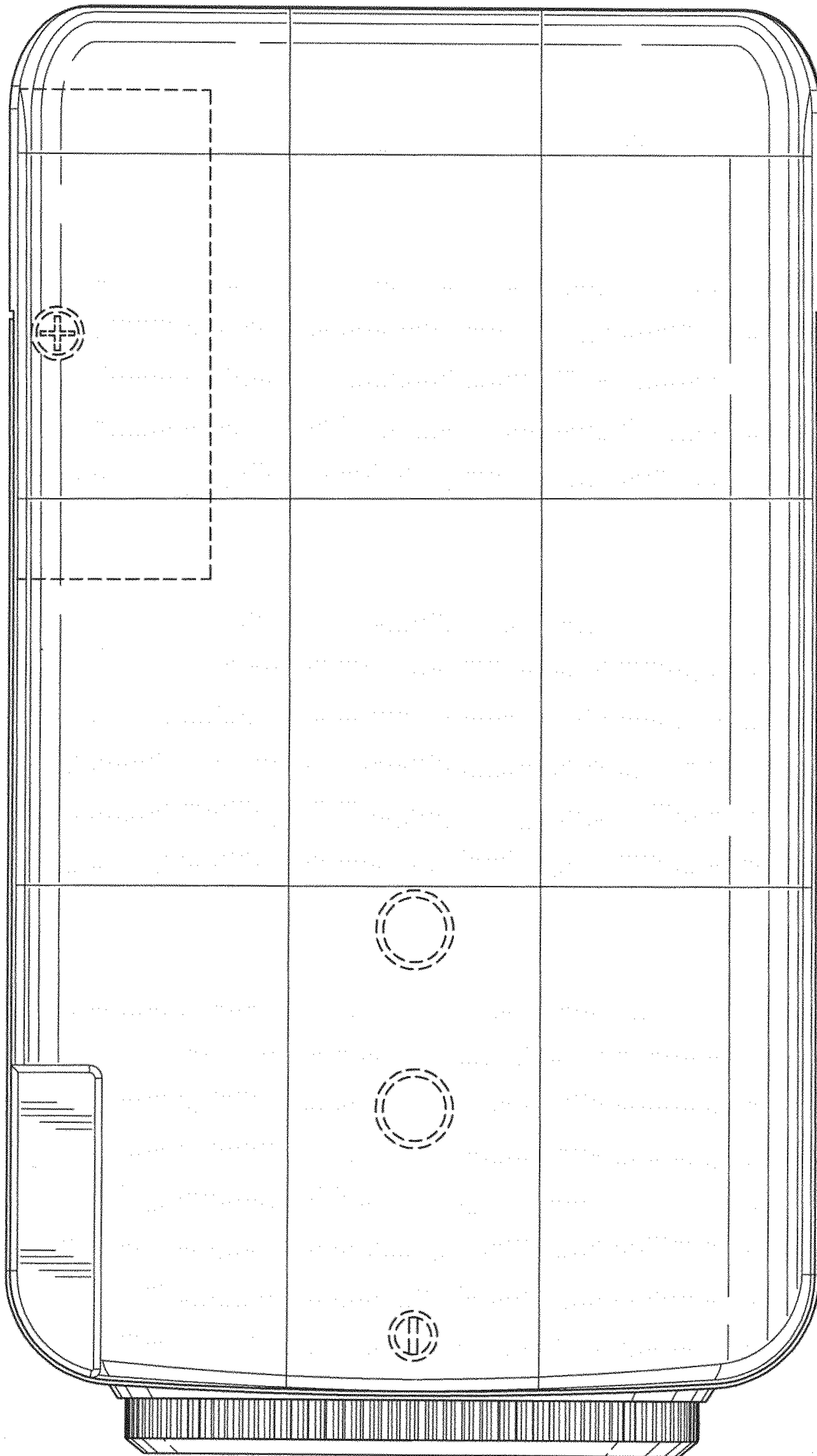


Fig. 7