

US00D739885S

(12) **United States Design Patent**
Lee et al.

(10) **Patent No.:** **US D739,885 S**
(45) **Date of Patent:** **** Sep. 29, 2015**

(54) **3D PRINTER**

(71) Applicants: **XYZprinting, Inc.**, New Taipei (TW);
Kinpo Electronics, Inc., New Taipei
(TW); **Cal-Comp Electronics &
Communications Company Limited**,
New Taipei (TW)

(72) Inventors: **Yang-Teh Lee**, New Taipei (TW);
Kwei-Jui Teng, New Taipei (TW);
Ming-En Ho, New Taipei (TW);
Chuan-Yuan Lee, New Taipei (TW);
Hong-Chuan Yeh, New Taipei (TW)

(73) Assignees: **XYZprinting, Inc.**, New Taipei (TW);
Kinpo Electronics, Inc., New Taipei
(TW); **Cal-Comp Electronics &
Communications Company Limited**,
New Taipei (TW)

(**) Term: **14 Years**

(21) Appl. No.: **29/509,550**

(22) Filed: **Nov. 19, 2014**

(30) **Foreign Application Priority Data**

May 30, 2014 (TW) 103303273

(51) **LOC (10) Cl.** **15-09**

(52) **U.S. Cl.**
USPC **D15/122; D15/135**

(58) **Field of Classification Search**
USPC D14/420-425; D15/122, 135; D18/14,
D18/19, 36-39, 50, 53, 54, 54.1, 55
See application file for complete search history.

(56) **References Cited**

U.S. PATENT DOCUMENTS

5,885,511 A * 3/1999 Heller et al. 264/401
5,939,008 A * 8/1999 Comb et al. 264/308
7,027,887 B2 * 4/2006 Gaylo et al. 700/117

7,168,935 B1 * 1/2007 Taminger et al. 425/174.4
7,686,995 B2 * 3/2010 Davidson et al. 264/113
7,819,055 B2 * 10/2010 Tezuka et al. 101/38.1
8,252,223 B2 * 8/2012 Medina et al. 264/401
8,568,649 B1 * 10/2013 Balistreri et al. 264/642
8,894,400 B2 * 11/2014 Costabeber 425/174.4

(Continued)

Primary Examiner — Patricia Palasik

(74) *Attorney, Agent, or Firm* — Jianq Chyun IP Office

(57) **CLAIM**

The ornamental design for a 3D printer, as shown and described.

DESCRIPTION

FIG. 1 is a perspective view of a 3D printer showing our new design;

FIG. 2 is another perspective view thereof;

FIG. 3 is a front view thereof;

FIG. 4 is a rear view thereof;

FIG. 5 is a left side view thereof;

FIG. 6 is a right side view thereof;

FIG. 7 is a top view thereof;

FIG. 8 is a bottom view thereof;

FIG. 9 is a cross-sectional view thereof taken along line 9-9 in FIG. 7;

FIG. 10 is a cross-sectional view thereof taken along line 10-10 in FIG. 7;

FIG. 11 is an enlarged view of an indicated portion shown in rectangle 11 of FIG. 3;

FIG. 12 is an enlarged view of an indicated portion shown in rectangle 12 of FIG. 5;

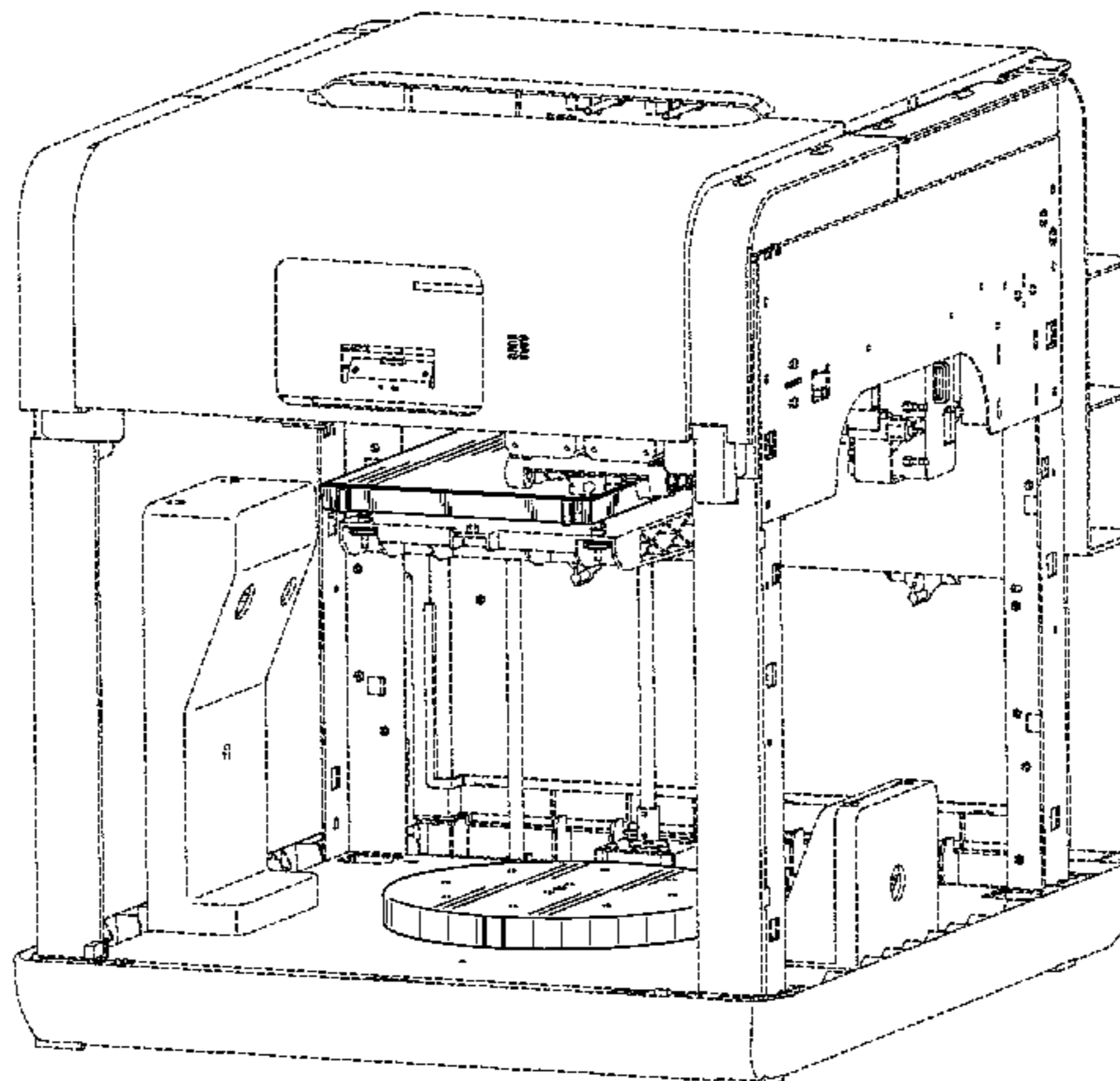
FIG. 13 is an enlarged view of an indicated portion shown in rectangle 13 of FIG. 6;

FIG. 14 is an enlarged view of an indicated portion shown in rectangle 14 of FIG. 9; and,

FIG. 15 is an enlarged view of an indicated portion shown in rectangle 15 of FIG. 10.

The broken line portions of the 3D printer in all views represent unclaimed portions of the claimed design and form no part thereof.

1 Claim, 15 Drawing Sheets



US D739,885 S

Page 2

(56)

References Cited

U.S. PATENT DOCUMENTS

8,945,456 B2 *	2/2015	Zenere	264/401
2004/0262803 A1 *	12/2004	Neilsen et al.	264/113
2006/0192322 A1 *	8/2006	Abe et al.	264/497
D722,108 S *	2/2015	Reches et al.	D18/50

* cited by examiner

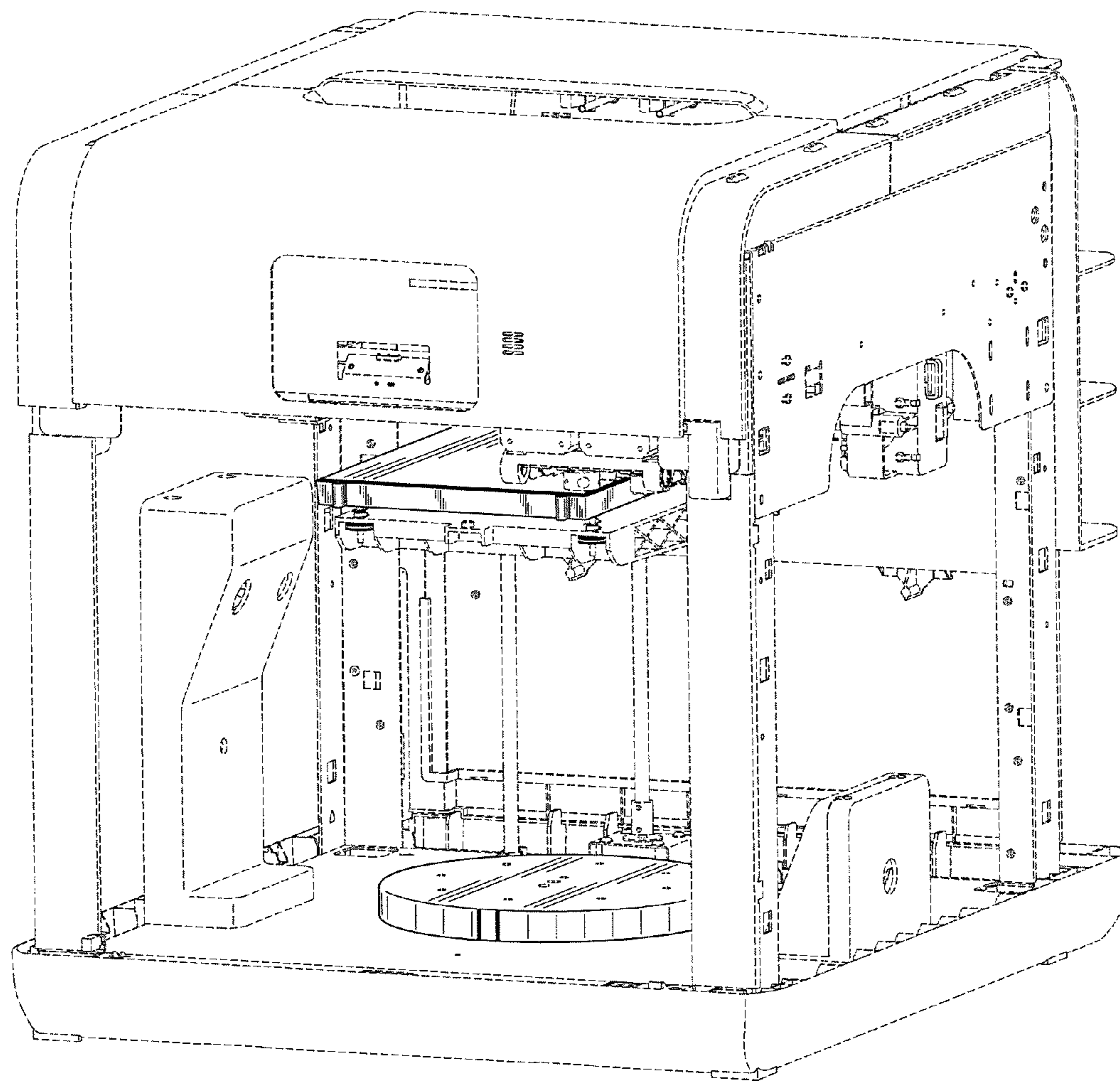


FIG. 1

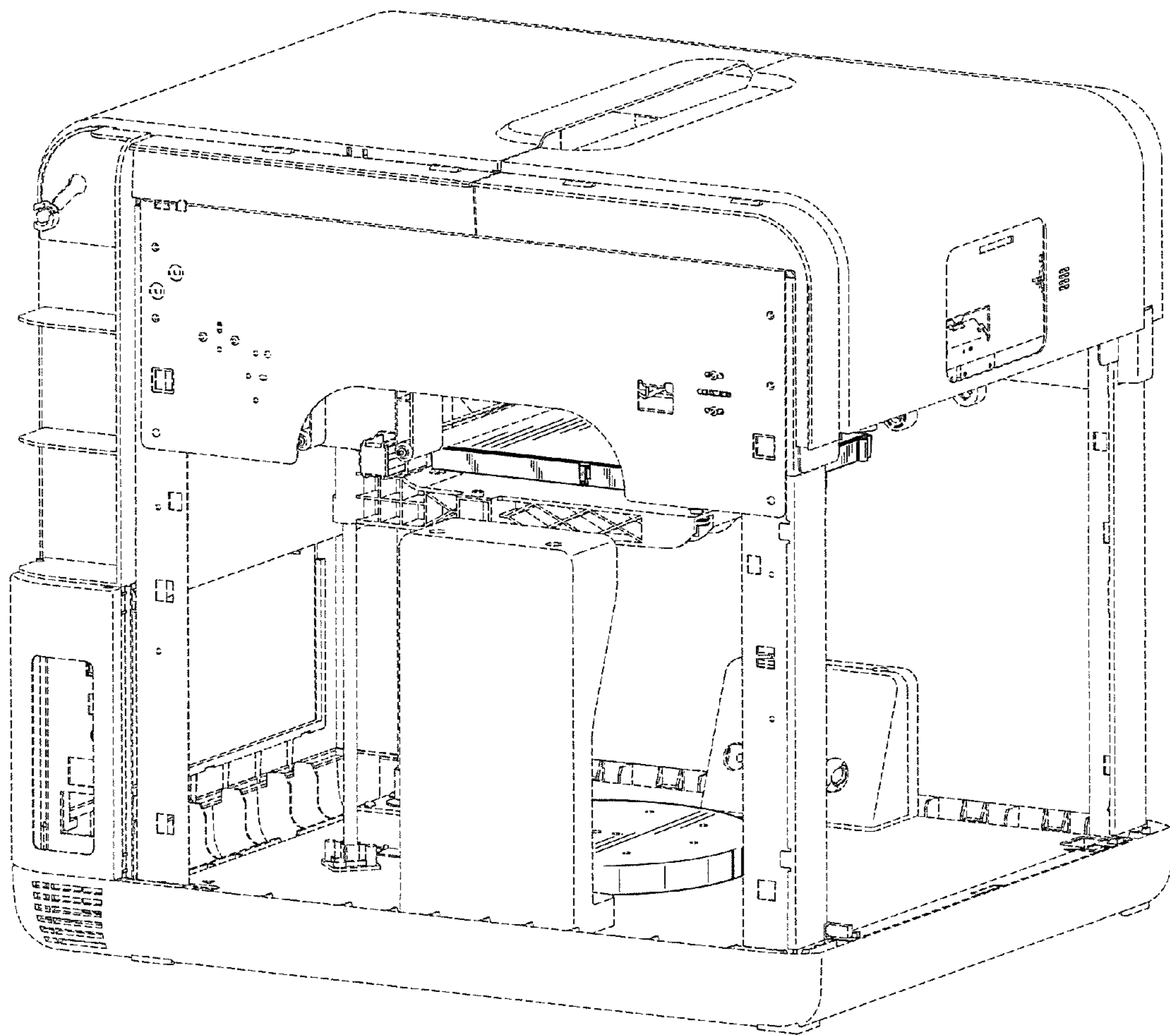


FIG. 2

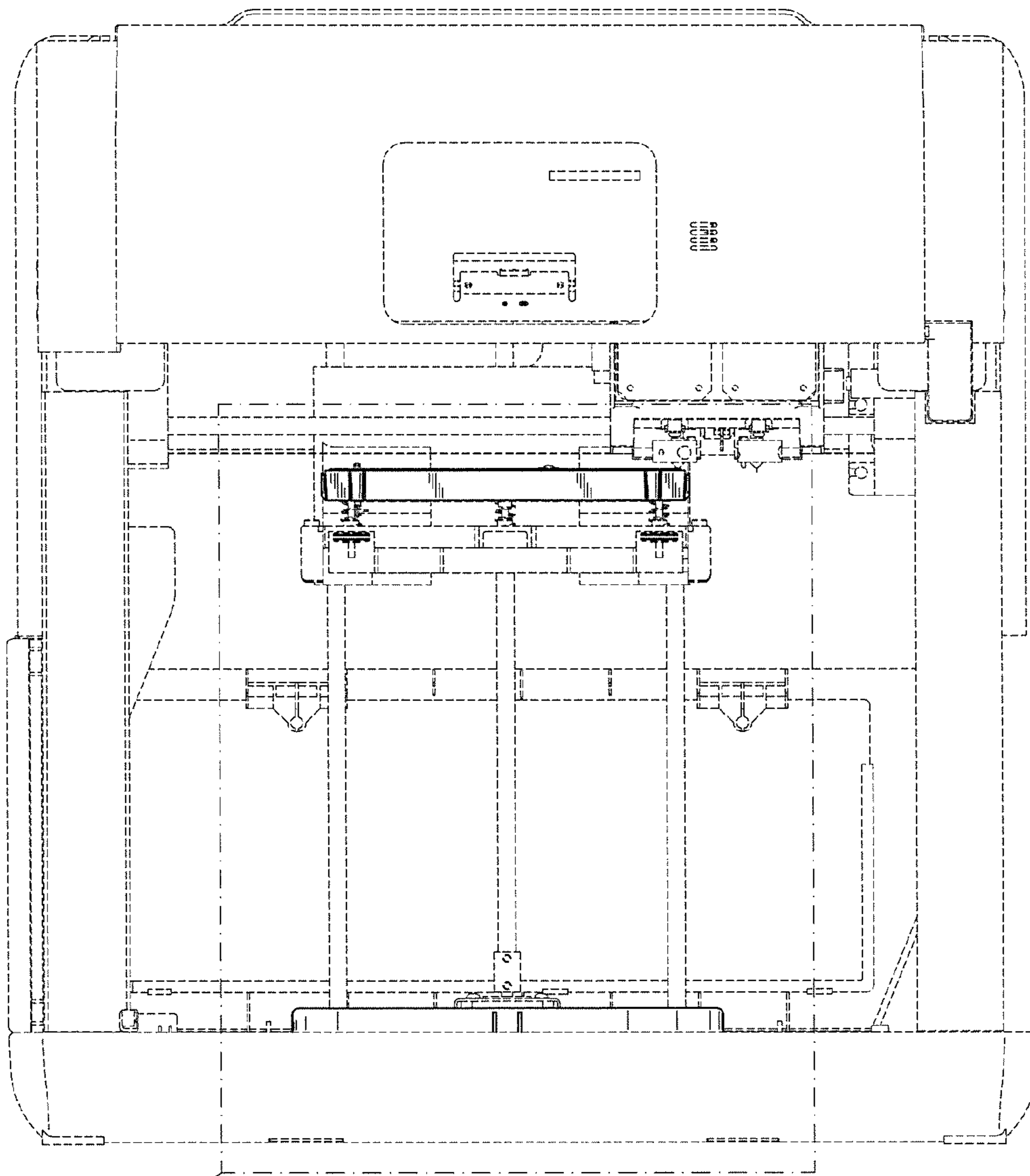


FIG. 11

FIG. 3

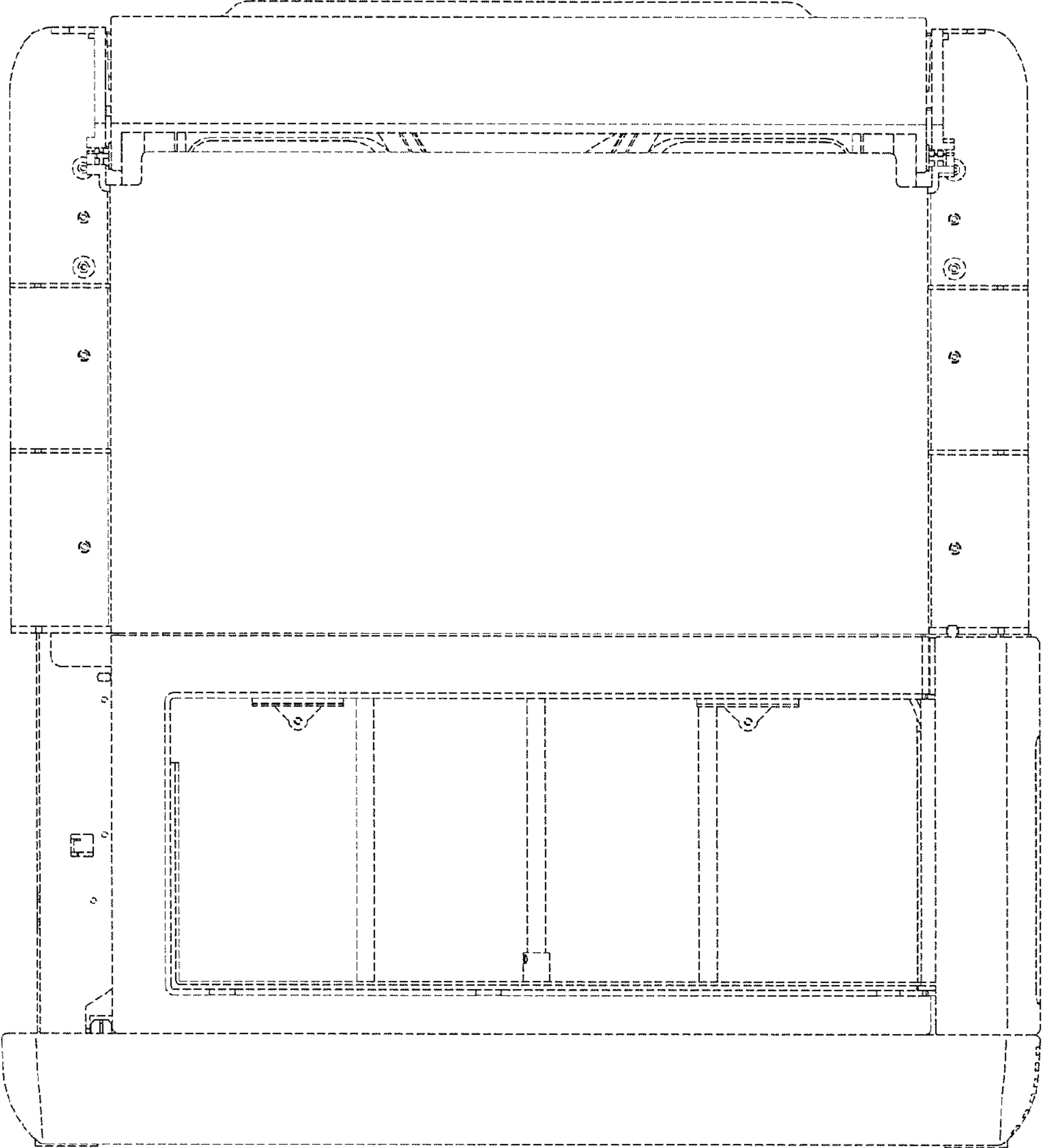


FIG. 4

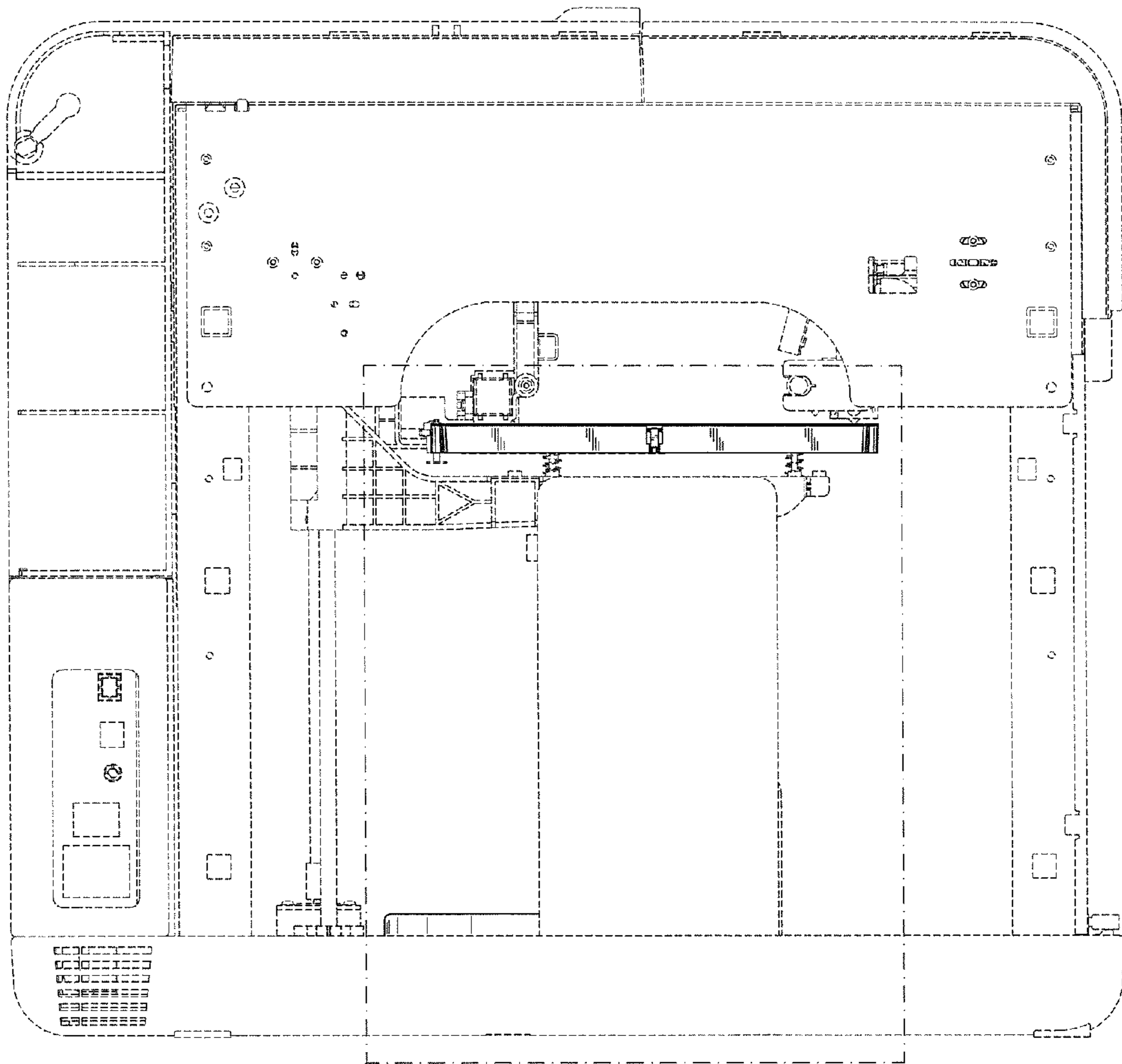


FIG.12

FIG. 5

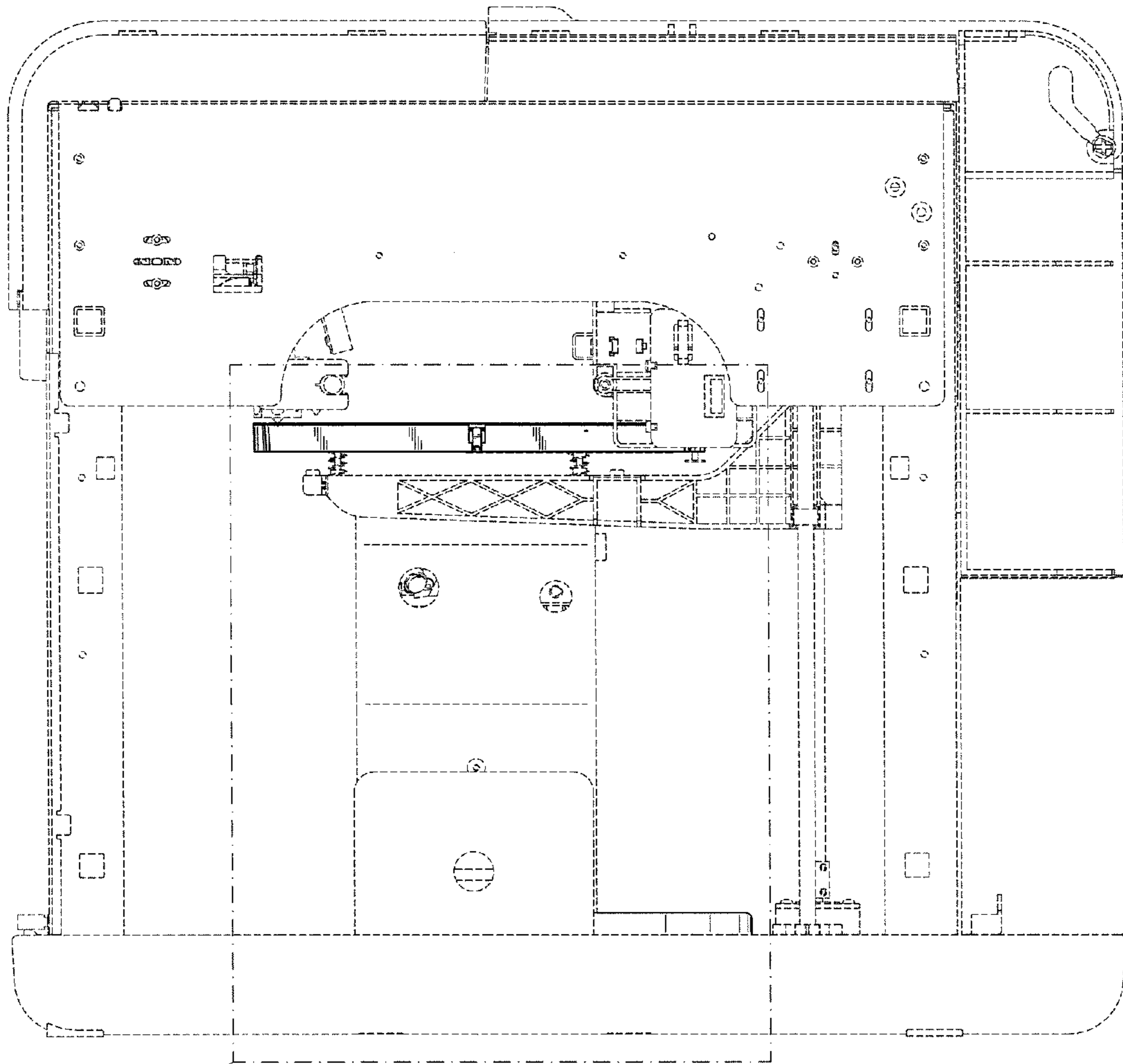


FIG.13

FIG. 6

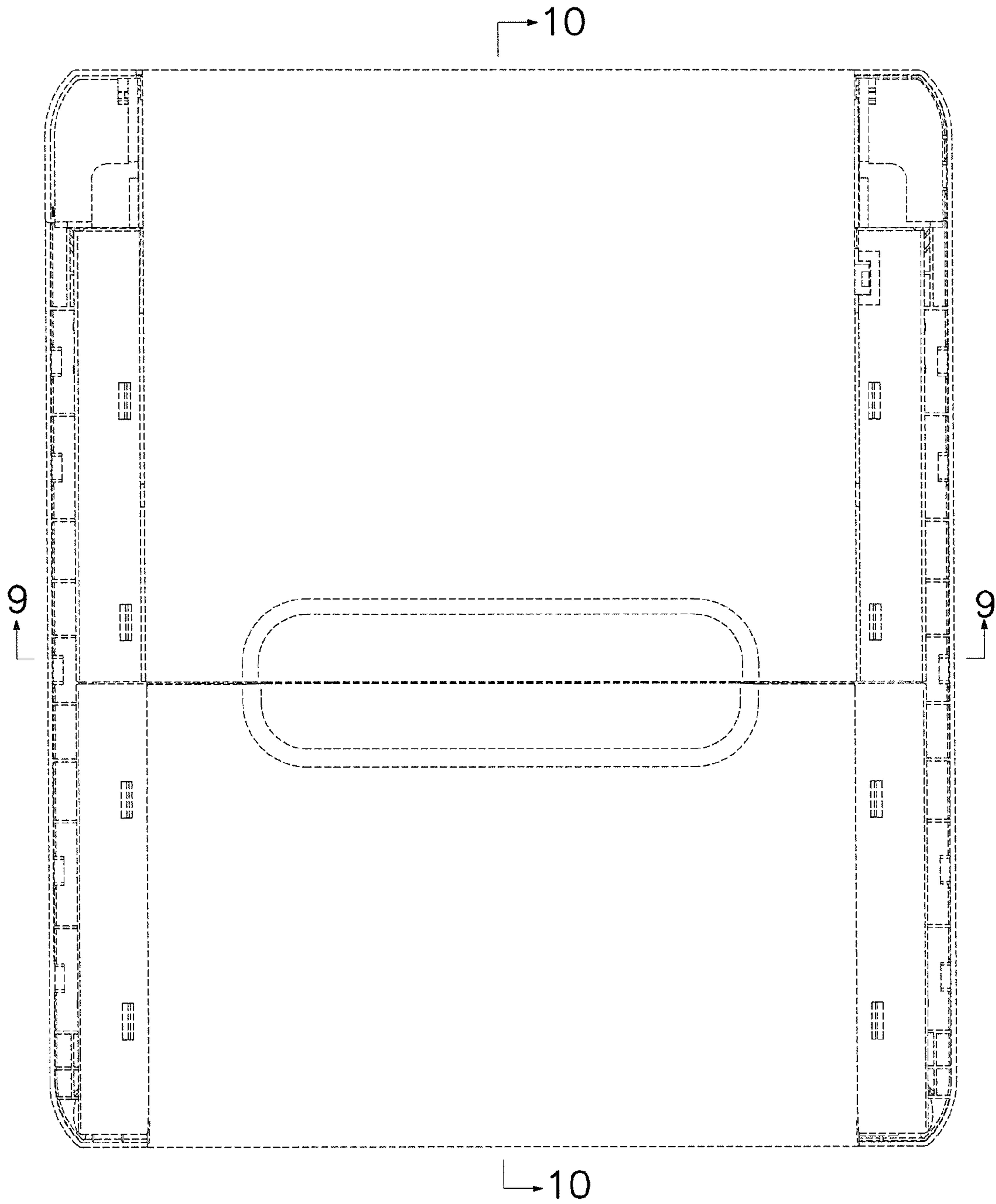


FIG. 7

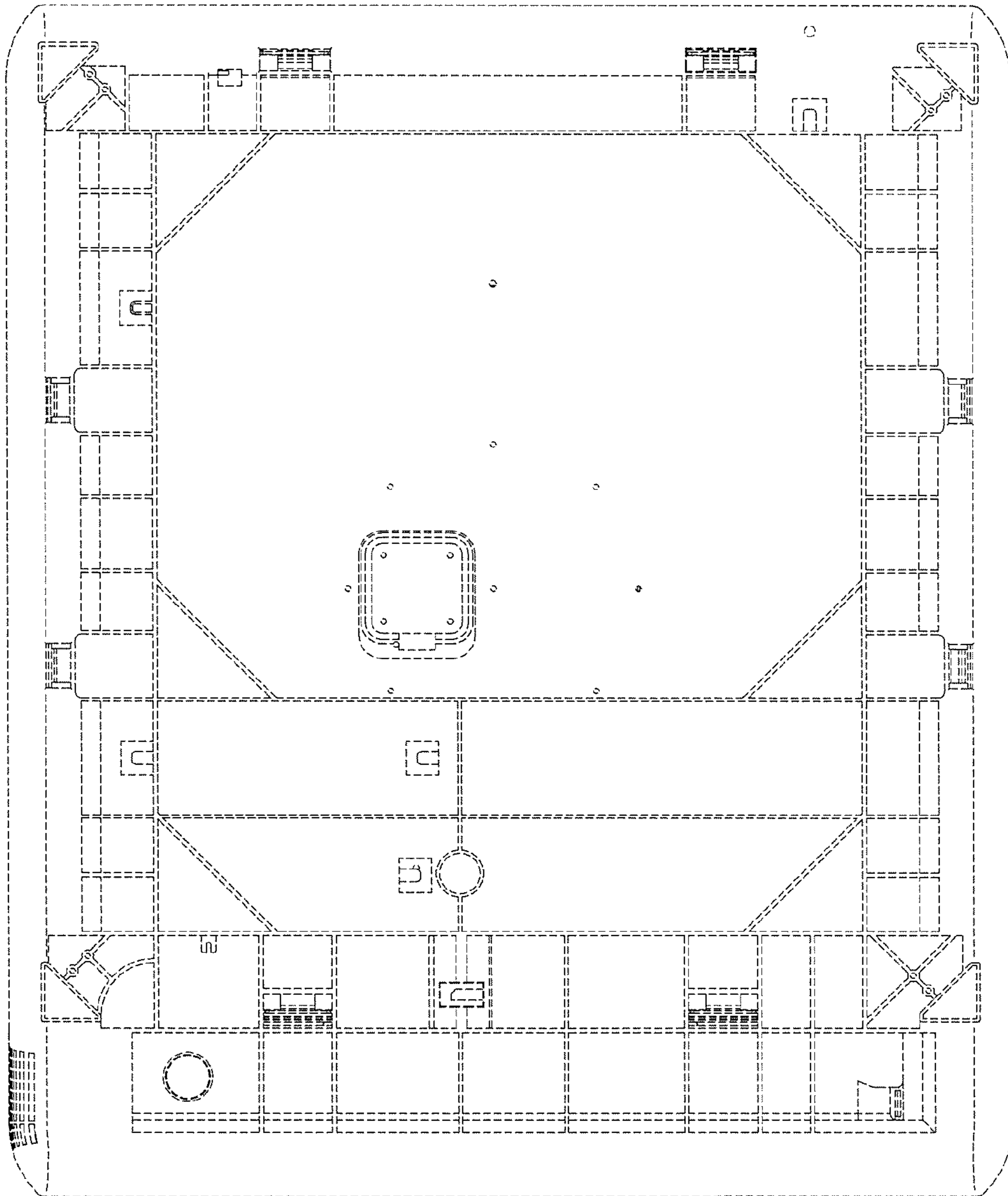


FIG. 8

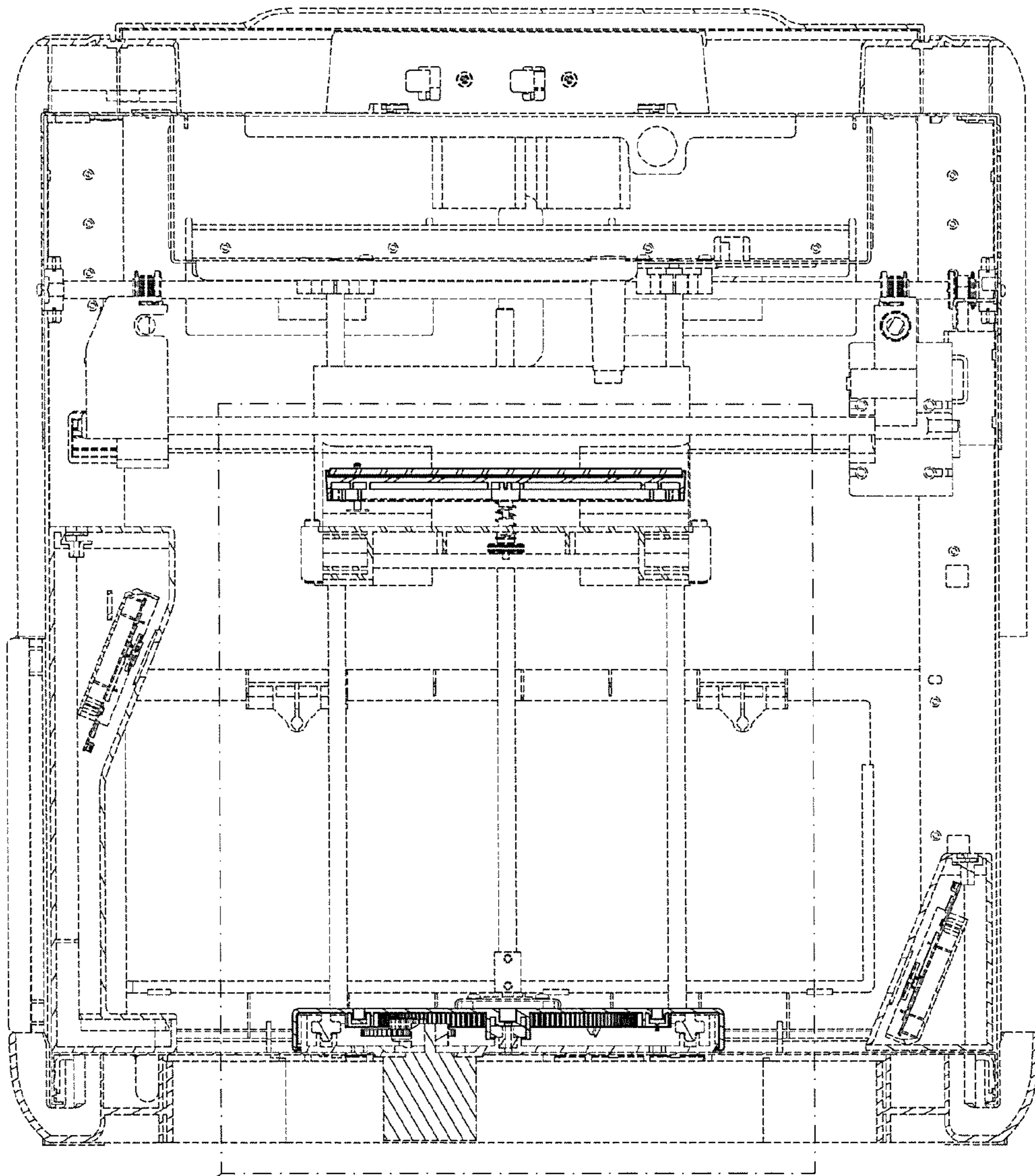


FIG.14

FIG. 9

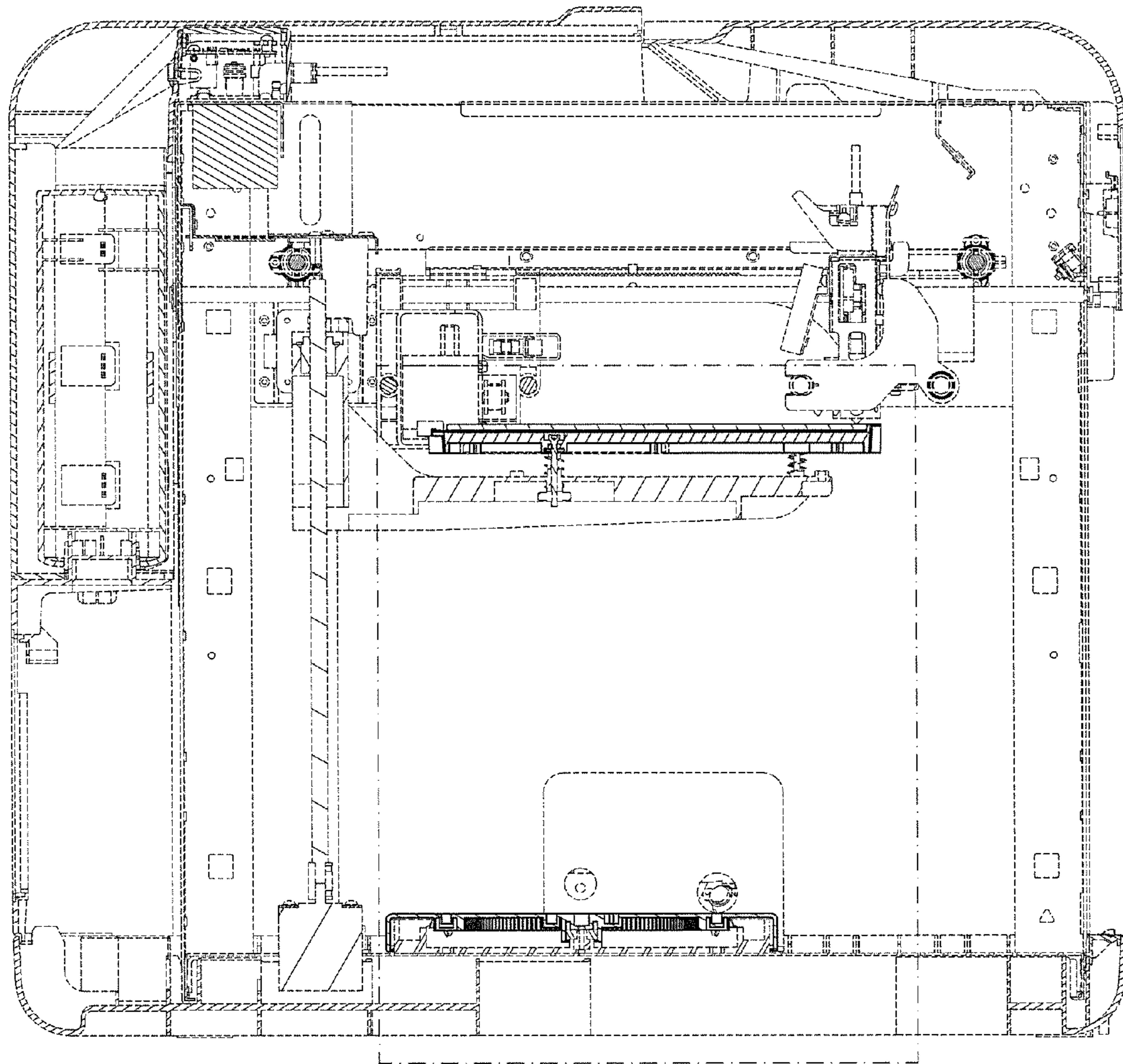


FIG.15

FIG. 10

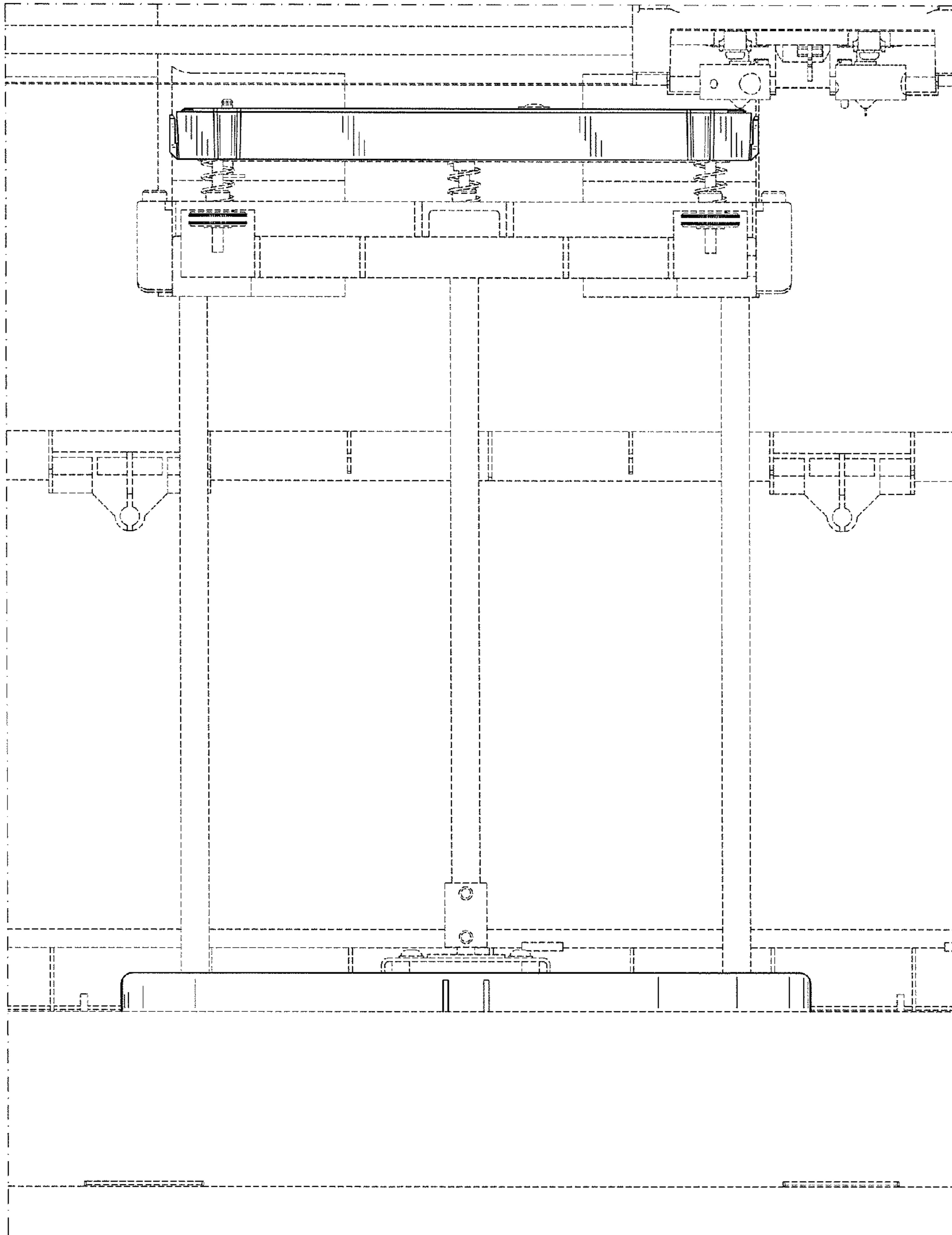


FIG. 11

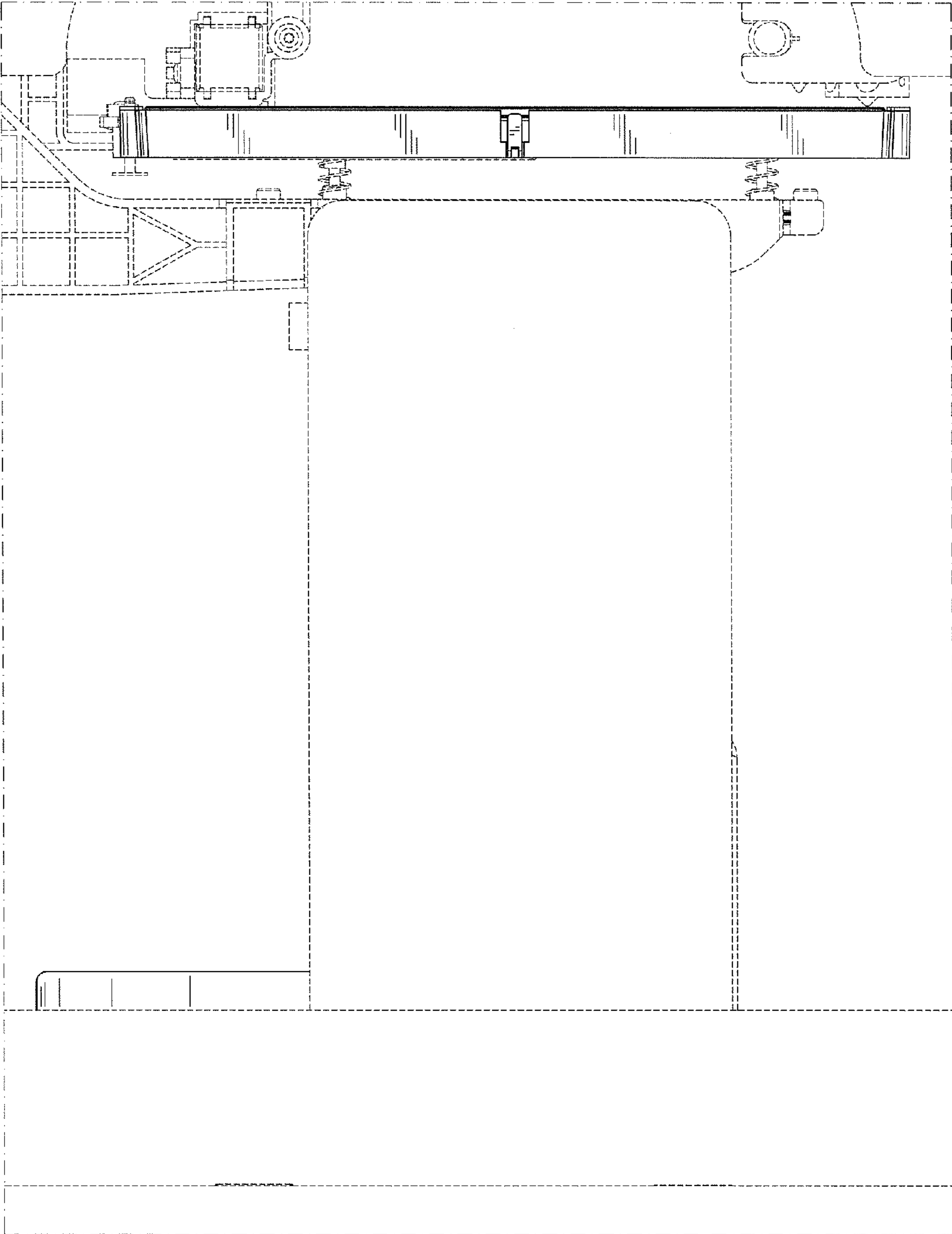


FIG. 12

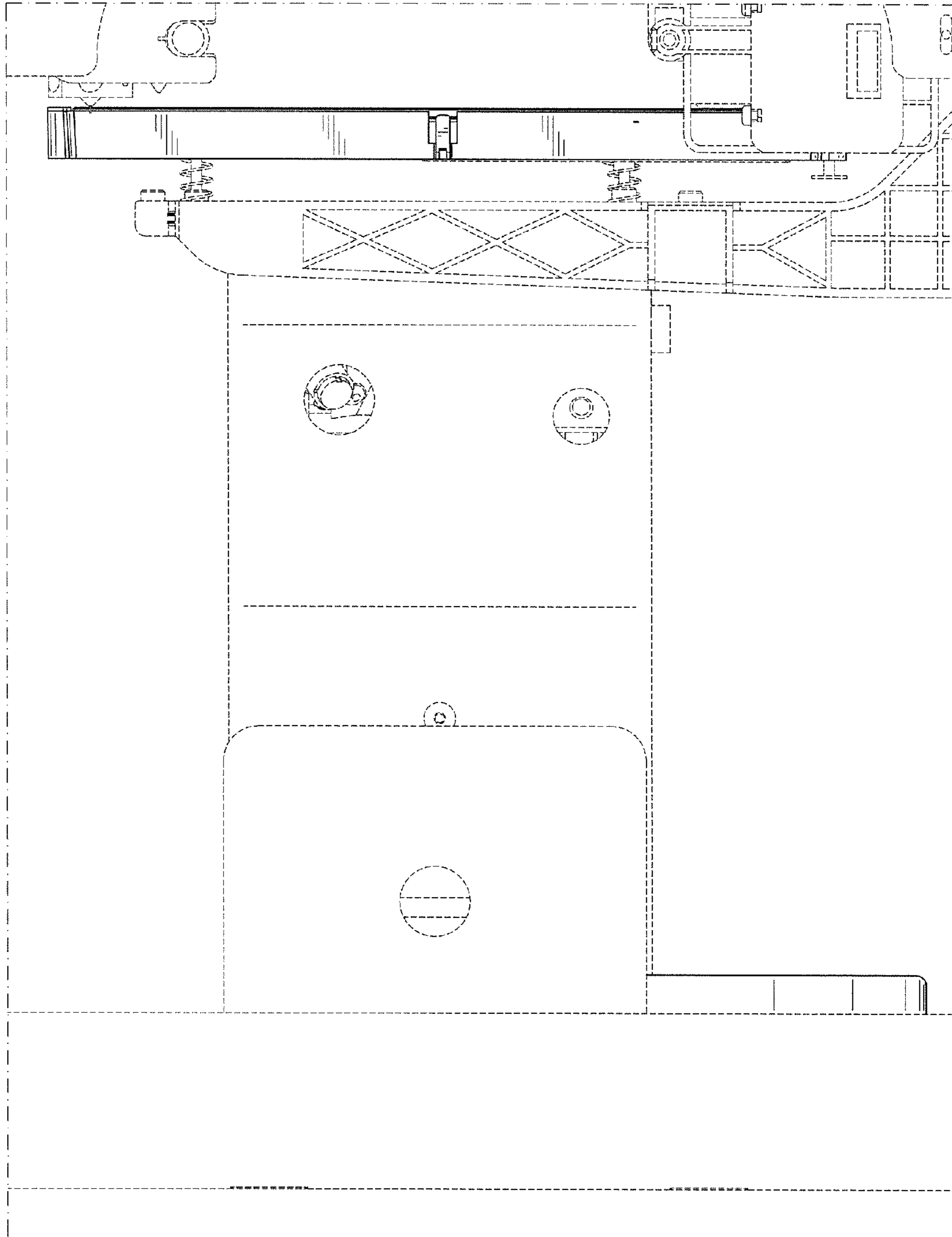


FIG. 13

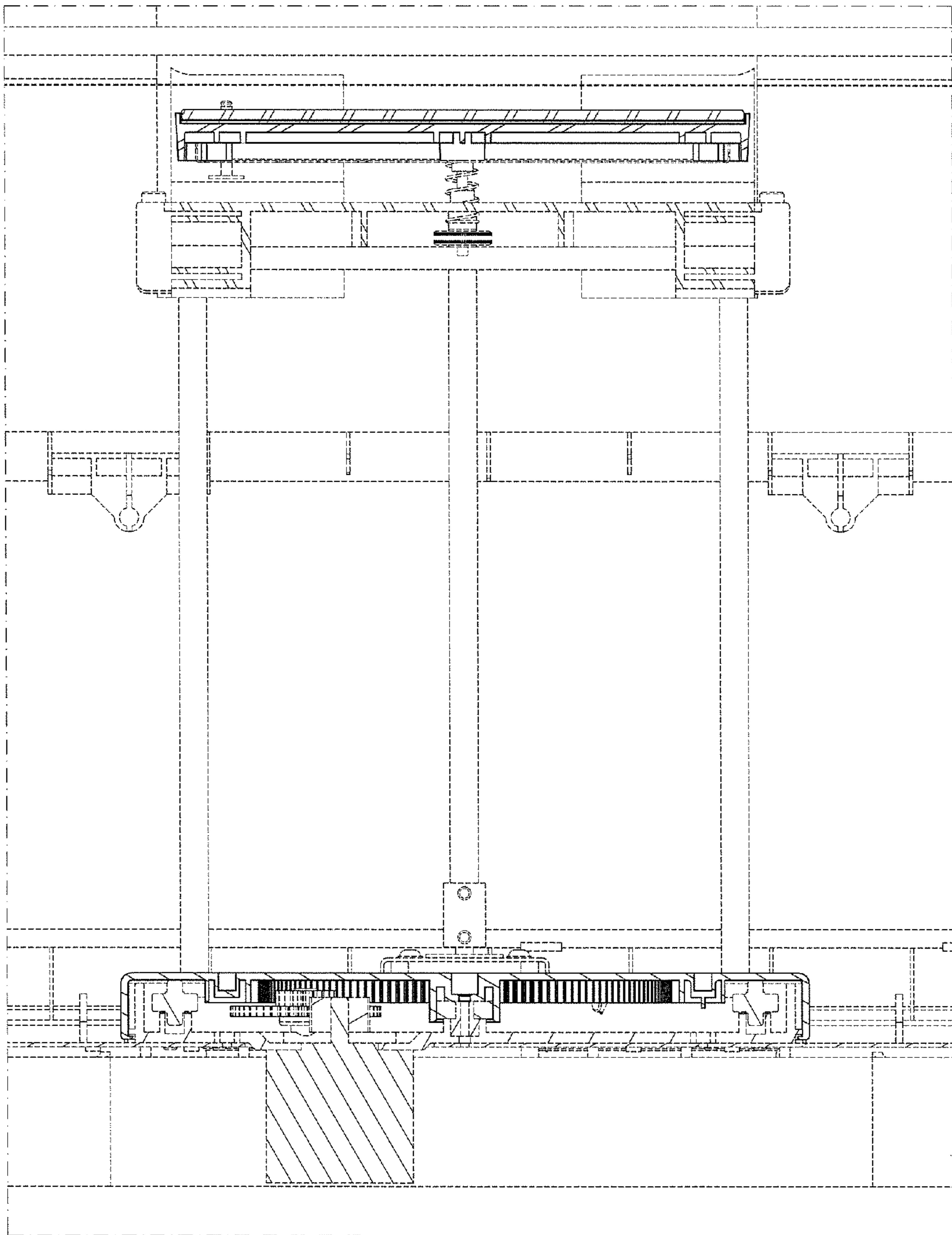


FIG. 14

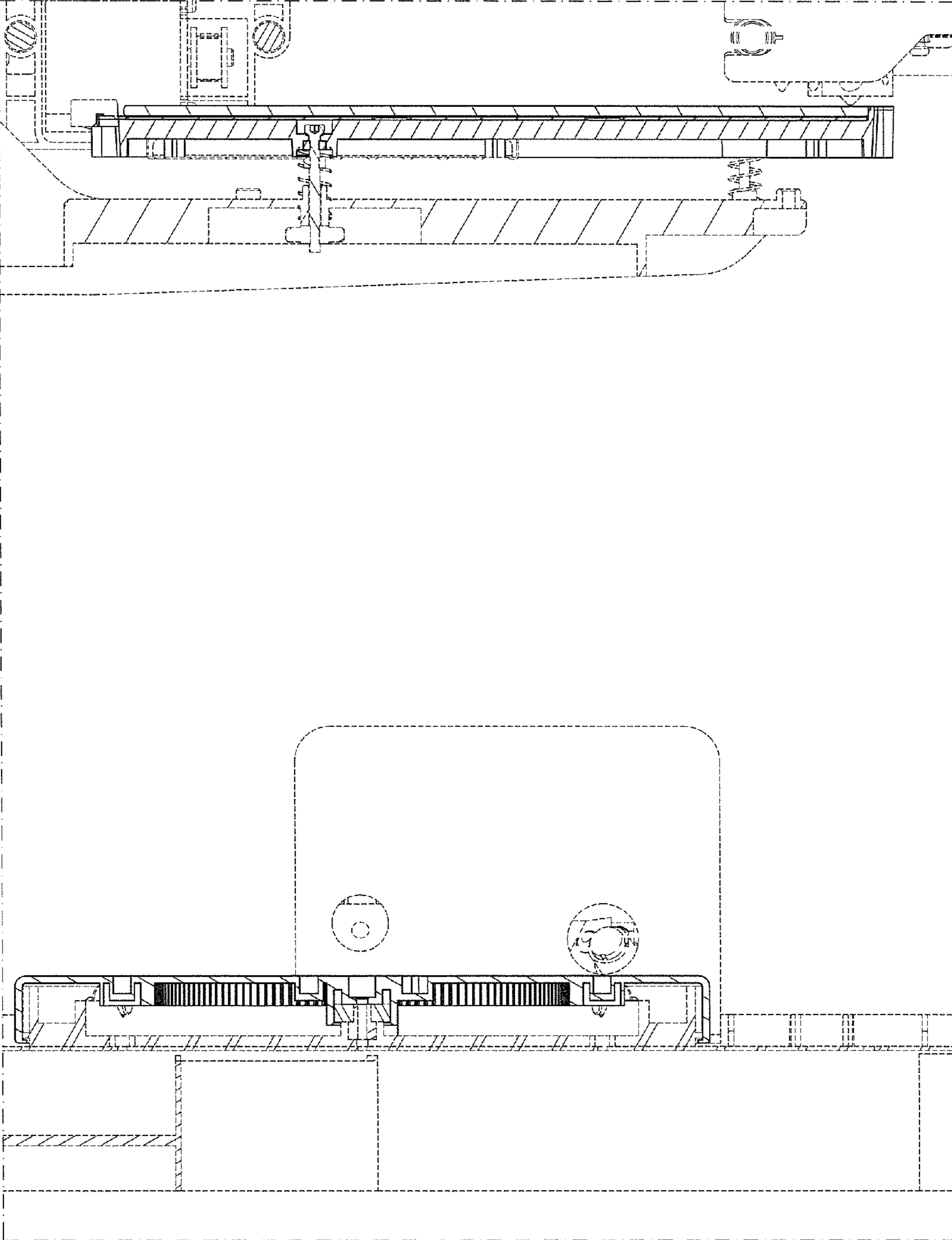


FIG. 15