



US00D739881S

(12) **United States Design Patent**
Walker et al.

(10) **Patent No.:** **US D739,881 S**

(45) **Date of Patent:** **** Sep. 29, 2015**

(54) **ROW DIVIDER HOOD HAVING A
STRUCTURED SURFACE FOR A CORN HEAD
ASSEMBLY**

(71) Applicant: **CNH America LLC**, New Holland, PA
(US)

(72) Inventors: **Eric L. Walker**, Leola, PA (US); **Brian
Patrick Crow**, Rock Island, IL (US);
James Michael Gessel, Geneseo, IL
(US); **Frederick Robert Hubach**,
Stevens, PA (US)

(73) Assignee: **CNH Industrial America LLC**, New
Holland, PA (US)

(**) Term: **14 Years**

(21) Appl. No.: **29/475,490**

(22) Filed: **Dec. 3, 2013**

Related U.S. Application Data

(63) Continuation of application No. 29/451,804, filed on
Apr. 9, 2013, now Pat. No. Des. 697,944.

(51) **LOC (10) Cl.** **15-03**

(52) **U.S. Cl.**
USPC **D15/28**

(58) **Field of Classification Search**

USPC D15/10-12, 22-26, 28, 29; 56/119,
56/14.1, 60, 62; 460/16, 42
CPC A01D 45/021; A01D 45/00; A01D 45/02;
A01D 43/082; A01D 65/00; A01D 63/00

See application file for complete search history.

(56) **References Cited**

U.S. PATENT DOCUMENTS

762,795 A 6/1904 Ackerman
1,800,058 A 4/1931 Dugger
2,366,408 A 1/1945 Jenson

(Continued)

Primary Examiner — Mark Goodwin

(74) *Attorney, Agent, or Firm* — Patrick M. Sheldrake;
Seyed V. Sharifi T.

(57) **CLAIM**

The ornamental design for a row divider hood having a struc-
tured surface for a corn head assembly, as shown and
described.

DESCRIPTION

FIG. 1 is a rear perspective view of a row divider hood having
a structured surface for a corn head assembly in accordance
with the new design;

FIG. 2 is another rear perspective view of the row divider
hood of FIG. 1;

FIG. 3 is a top plan view of the row divider hood of FIG. 1;

FIG. 4 is a left side elevation view of the row divider hood of
FIG. 1, which is a mirror image of a right side elevation view
of the row divider hood;

FIG. 5 is a rear elevation view of the row divider hood of FIG.
1;

FIG. 6 is a rear perspective view of a row divider hood having
a structured surface for a corn head assembly in accordance
with another embodiment of the new design;

FIG. 7 is another rear perspective view of the row divider
hood of FIG. 6;

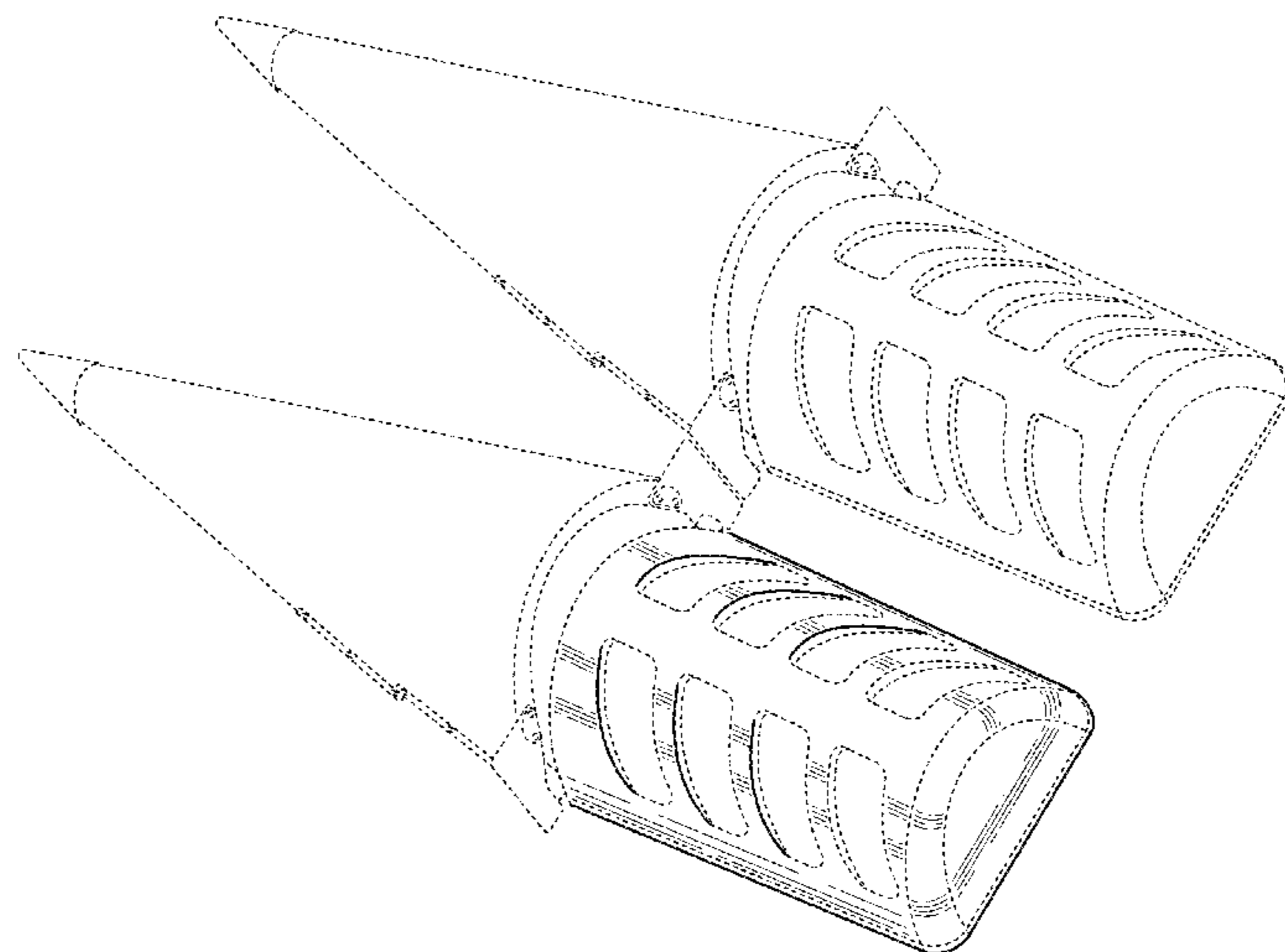
FIG. 8 is a top plan view of the row divider hood of FIG. 6;

FIG. 9 is a left side elevation view of the row divider hood of
FIG. 6, which is a mirror image of a right side elevation view
of the row divider hood; and,

FIG. 10 is a rear elevation view of the row divider hood of
FIG. 6.

The broken lines in FIGS. 1-10, illustrate portions of a row
divider of a corn head for purposes of illustrating environ-
mental structure only and form no part of the claimed design.

1 Claim, 8 Drawing Sheets



(56)

References Cited

U.S. PATENT DOCUMENTS

2,440,791	A	5/1948	Welty	4,630,430	A	12/1986	Weeks	
2,751,744	A	6/1956	Reade et al.	4,704,850	A *	11/1987	Obermeier	56/119
2,811,005	A	10/1957	Porath	4,999,983	A	3/1991	Britt et al.	
2,972,848	A	2/1961	McKee	5,195,309	A	3/1993	Mossman	
2,981,045	A	4/1961	Blanshine et al.	5,444,968	A *	8/1995	Barton	56/119
3,110,314	A	11/1963	Roberts	5,775,076	A	7/1998	Mossman	
3,209,526	A	10/1965	Morrow et al.	5,806,292	A *	9/1998	Luecke	56/119
3,241,299	A	3/1966	Sutton	D399,854	S	10/1998	Pearson	
3,433,004	A	3/1969	Blunk et al.	6,143,230	A	11/2000	Andrios et al.	
3,462,922	A	8/1969	Phillips et al.	6,564,536	B1 *	5/2003	Hoffer	56/119
3,520,121	A	7/1970	Ashton	6,625,969	B2	9/2003	Glazik	
D222,377	S	10/1971	Fell et al.	6,901,730	B1	6/2005	Buresch et al.	
D227,391	S	6/1973	Lawrence	7,073,316	B2	7/2006	Resing et al.	
3,759,021	A	9/1973	Schreiner et al.	7,240,471	B2	7/2007	Mossman	
3,808,783	A	5/1974	Sutherland et al.	7,373,767	B2	5/2008	Calmer	
3,911,651	A	10/1975	Schreiber	7,658,058	B2 *	2/2010	Pierson	56/119
4,156,338	A	5/1979	Hengen	7,814,737	B2	10/2010	Pierson	
4,166,349	A	9/1979	Coenenberg et al.	7,874,134	B1	1/2011	Hoffman	
4,300,335	A	11/1981	Anderson	7,913,480	B2	3/2011	Christensen et al.	
				8,196,381	B2 *	6/2012	Herman et al.	56/312
				D697,944	S *	1/2014	Walker et al.	D15/28
				2006/0174603	A1	8/2006	Mossman	

* cited by examiner

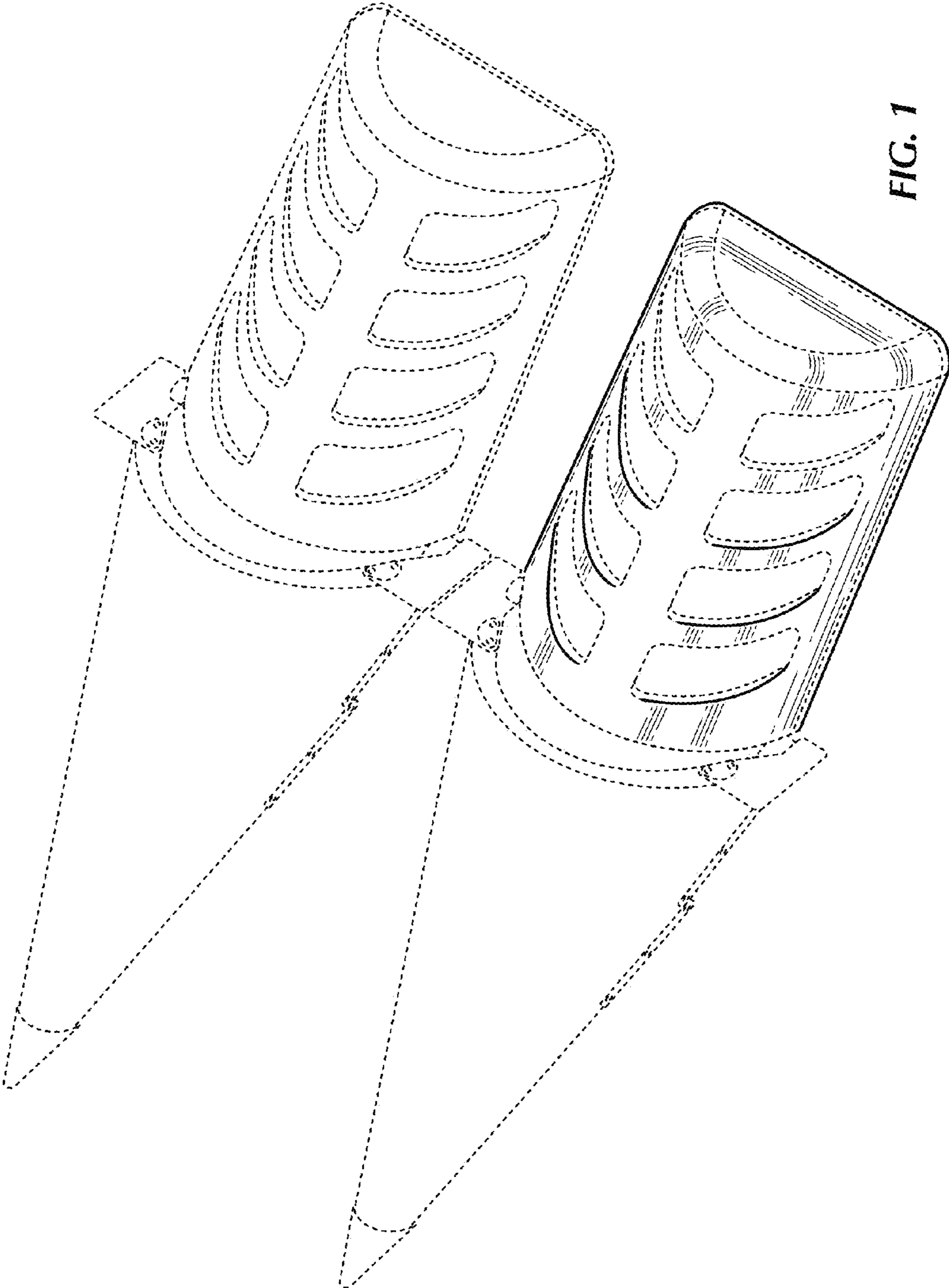


FIG. 1

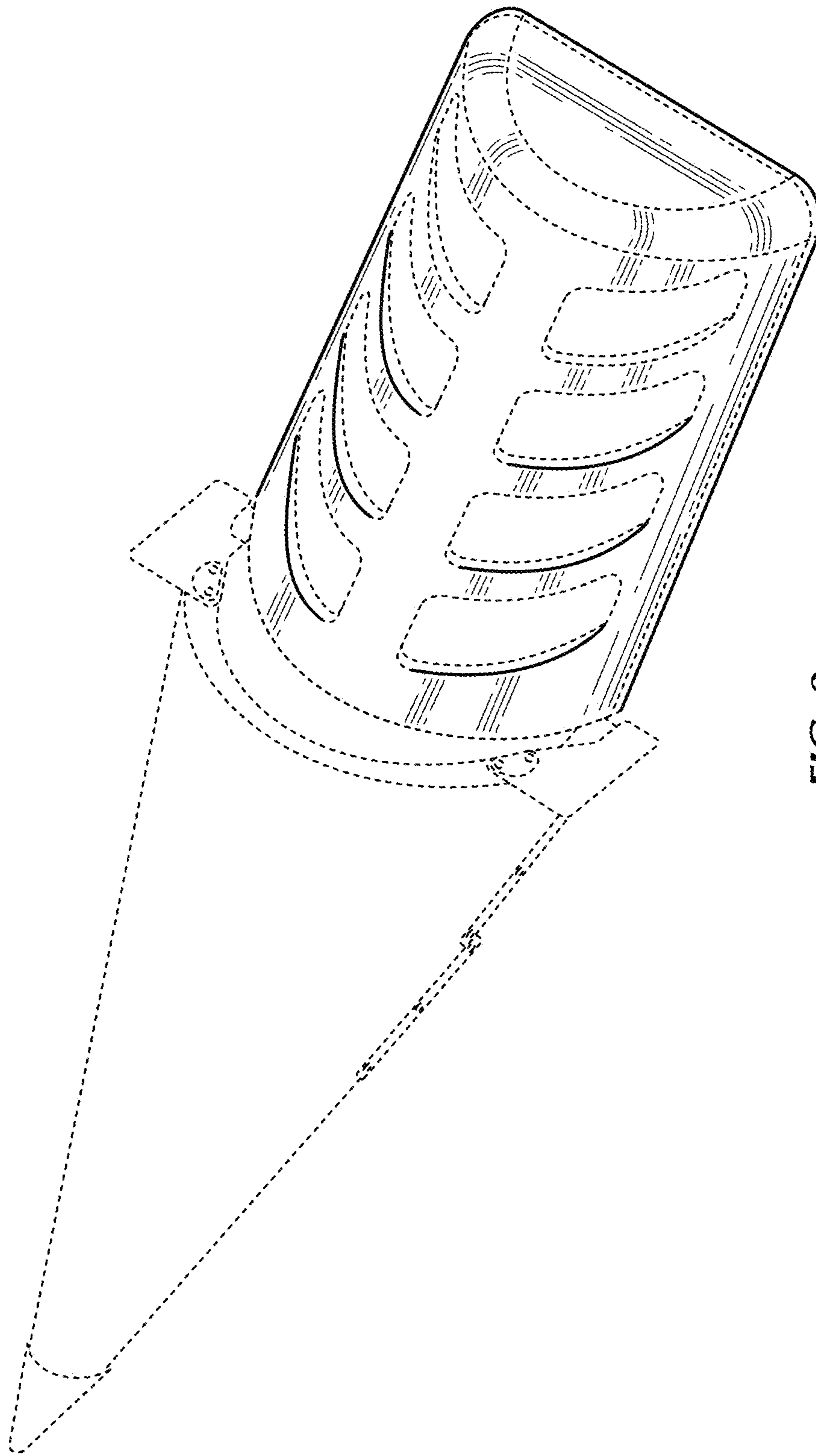


FIG. 2

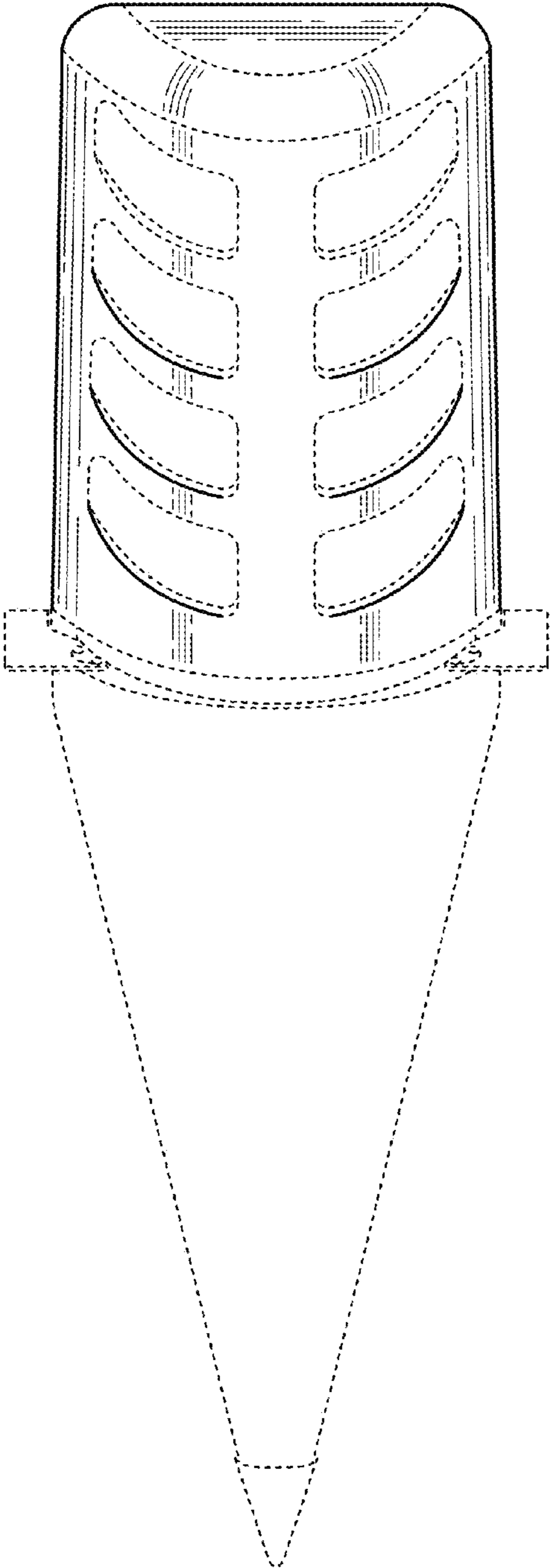


FIG. 3

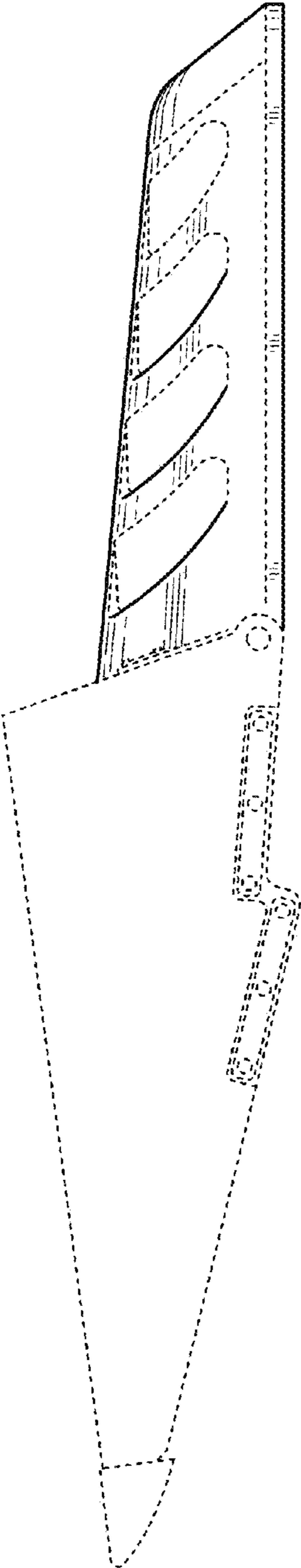


FIG. 4

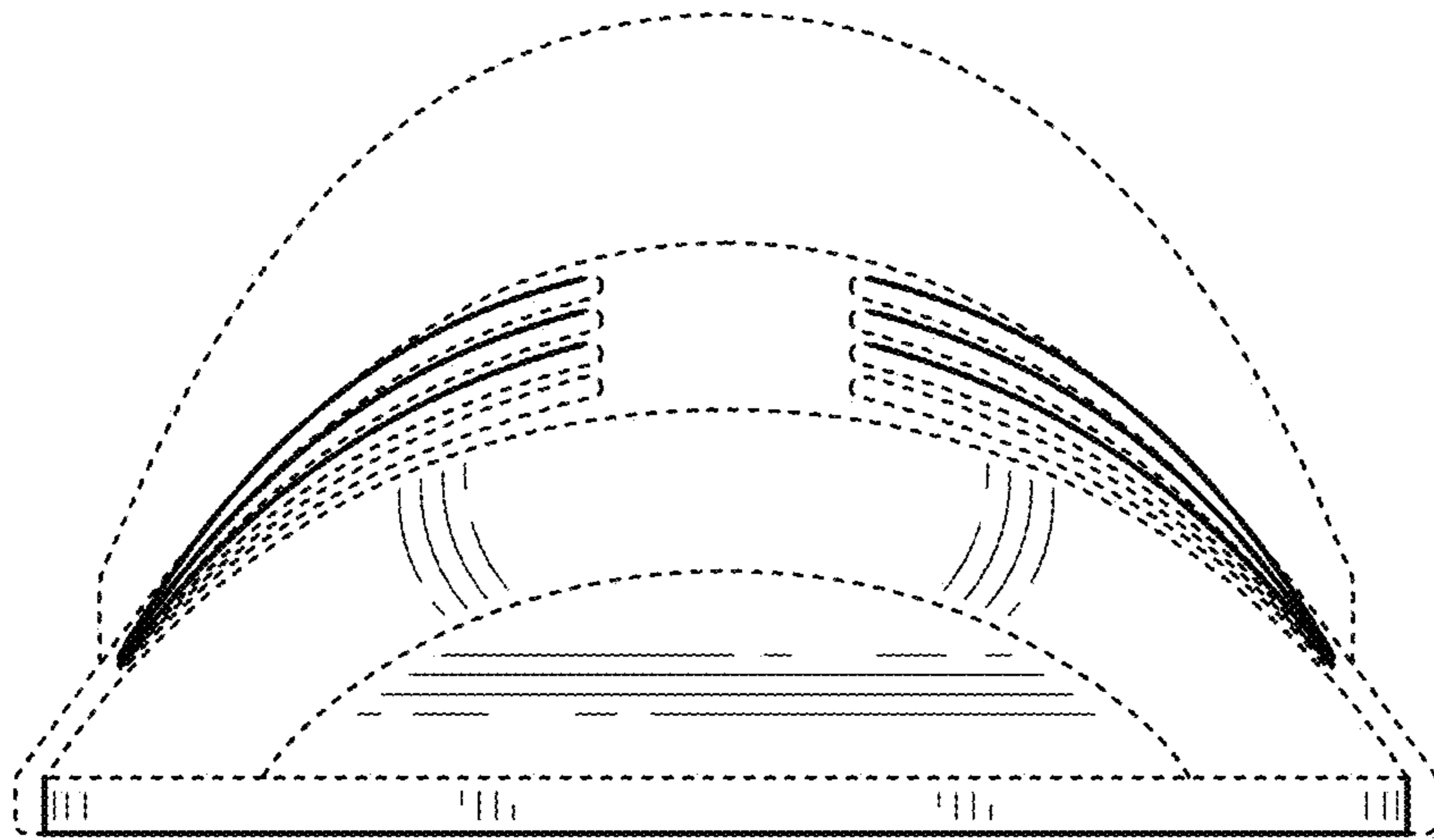


FIG. 5

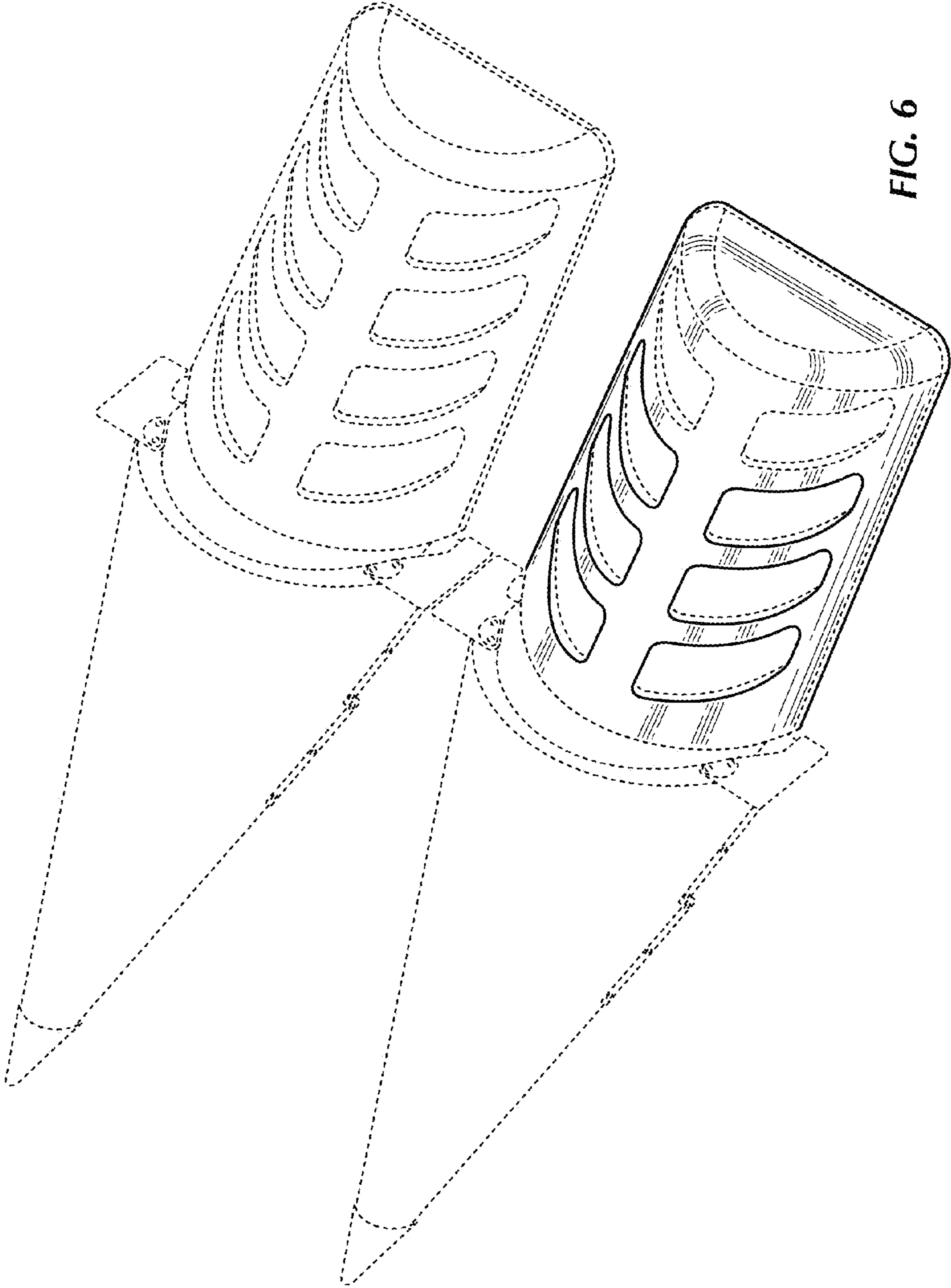


FIG. 6

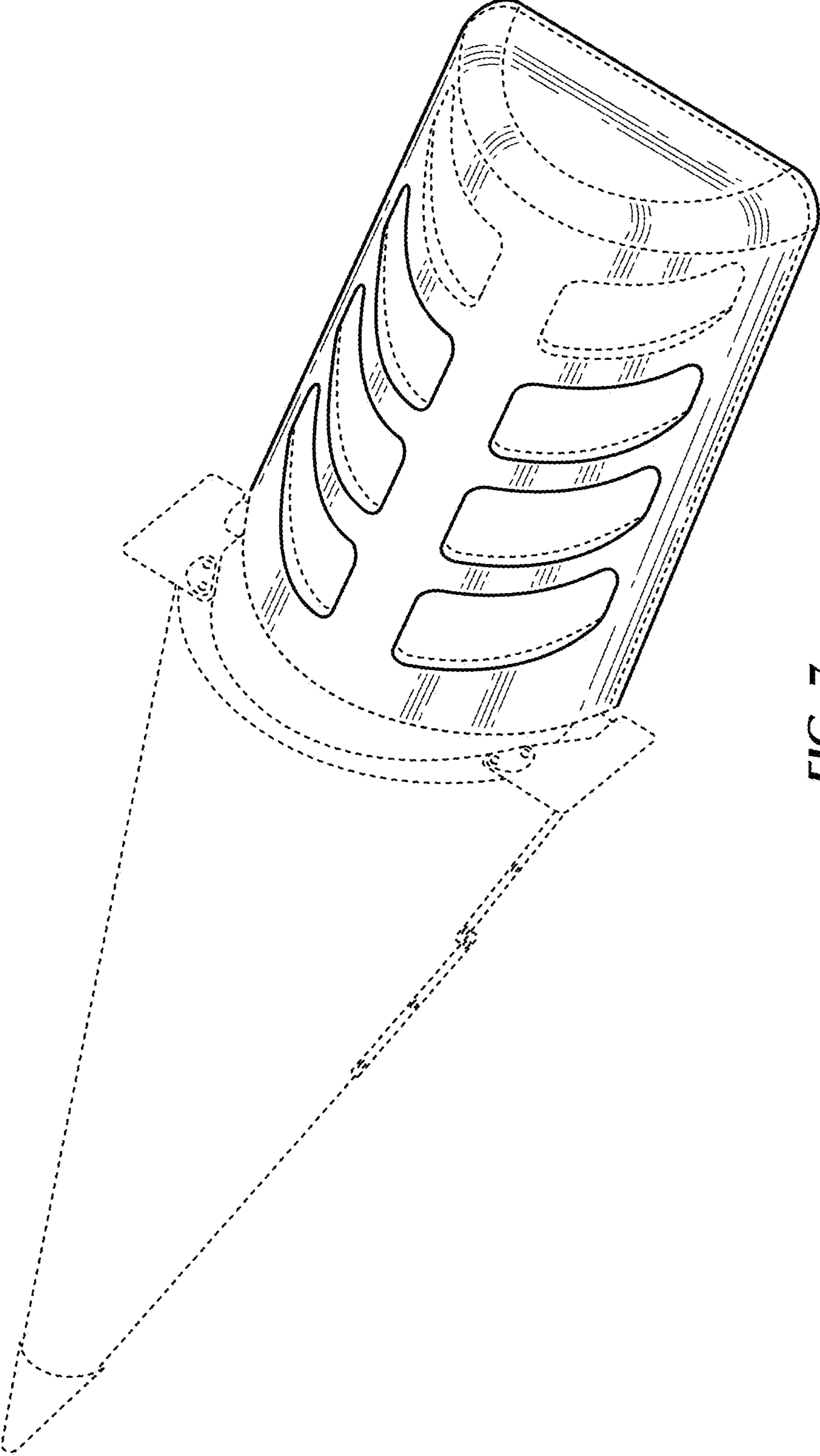


FIG. 7

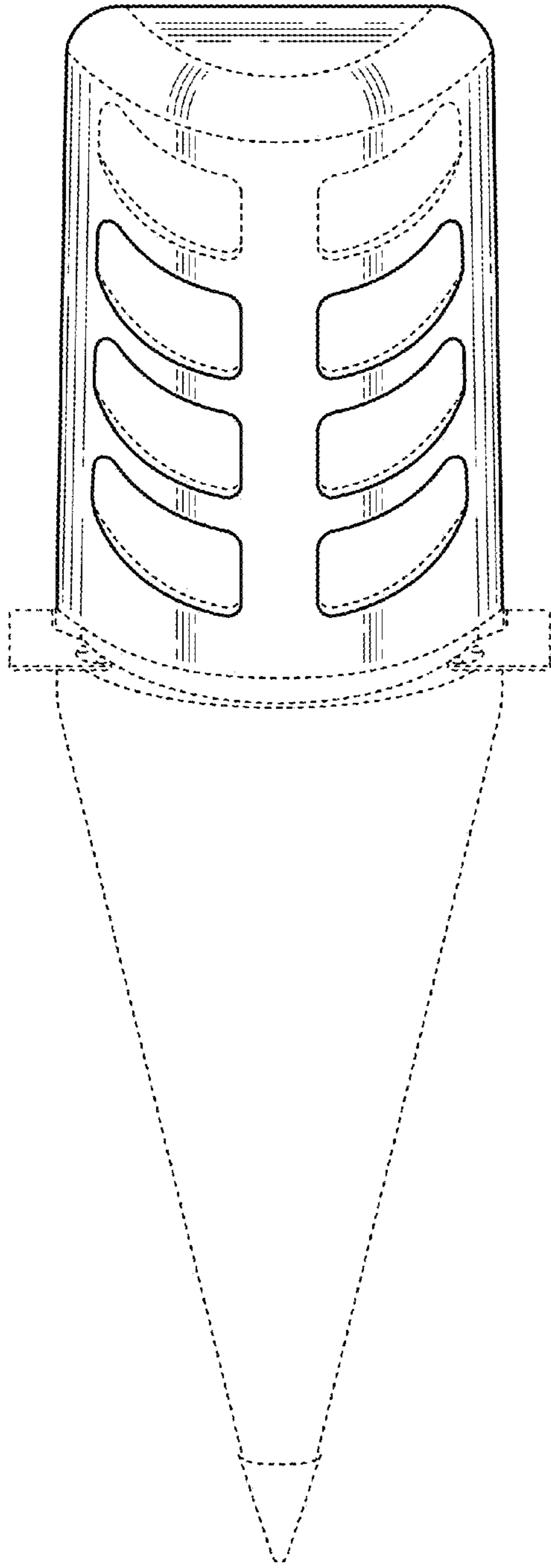


FIG. 8

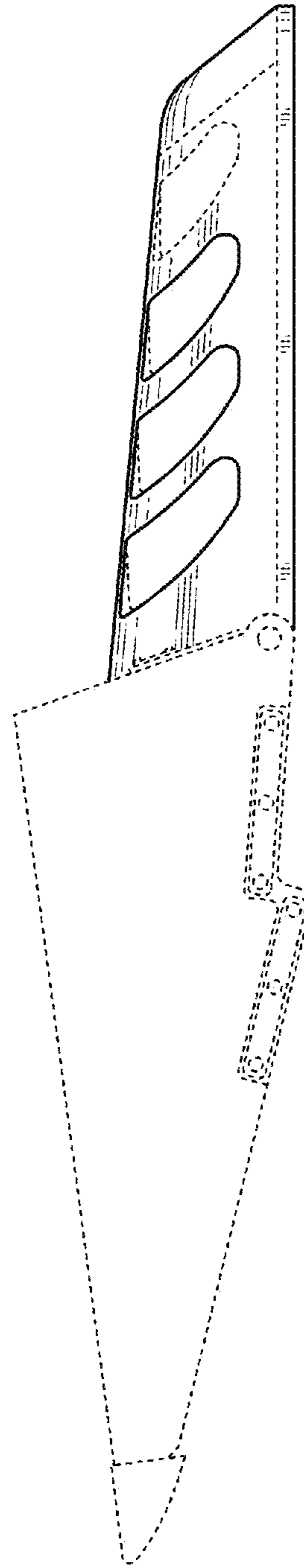


FIG. 9

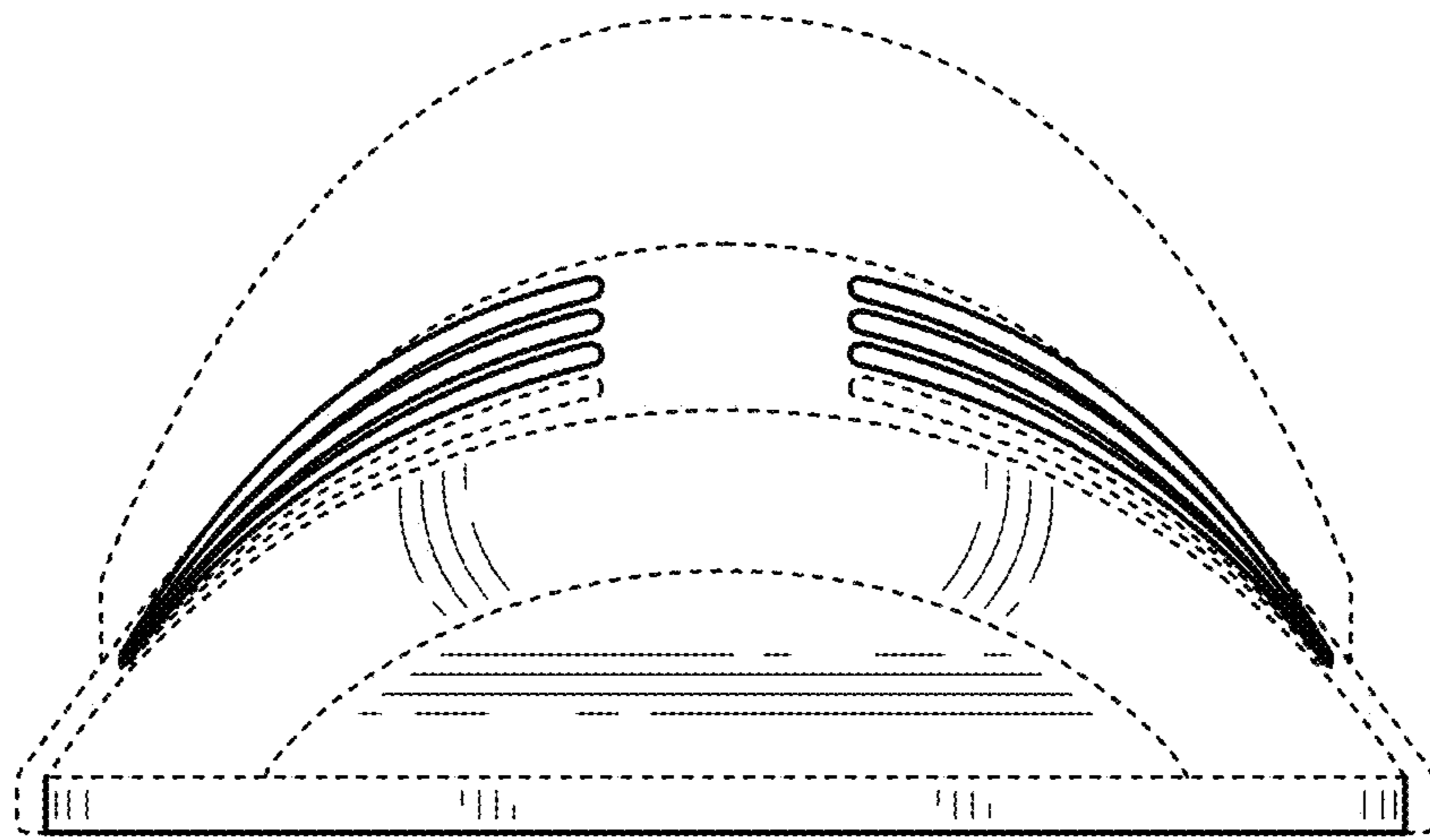


FIG. 10