



US00D739879S

(12) **United States Design Patent**
Bray et al.

(10) **Patent No.:** **US D739,879 S**
(45) **Date of Patent:** **** Sep. 29, 2015**

(54) **DISPLAY SCREEN OR PORTION THEREOF WITH ICON**

(71) Applicant: **Deere & Company**, Moline, IL (US)

(72) Inventors: **Nicholas R. Bray**, Marion, IA (US);
Brandon L. Baker, Cedar Falls, IA (US)

(73) Assignee: **Deere & Company**, Moline, IL (US)

(**) Term: **14 Years**

(21) Appl. No.: **29/518,496**

(22) Filed: **Feb. 24, 2015**

Related U.S. Application Data

(62) Division of application No. 29/456,087, filed on May 28, 2013, now Pat. No. Des. 729,843.

(51) **LOC (10) Cl.** **14-04**

(52) **U.S. Cl.**
USPC **D14/493**

(58) **Field of Classification Search**
USPC D14/485-495; 715/703, 715, 727, 763,
715/773, 776, 779, 839, 810, 811, 812, 813,
715/814, 815, 821, 825, 828, 833, 835, 836,
715/837, 838, 840, 846, 847, 864, 963, 974,
715/976, 977
CPC G06F 3/0482; G06F 8/34; G06F 3/04817;
G06F 3/048

See application file for complete search history.

(56) **References Cited**

U.S. PATENT DOCUMENTS

D296,218 S * 6/1988 Wells-Papanek et al. ... D14/493
5,712,782 A 1/1998 Weigelt et al.
5,889,671 A 3/1999 Autermann et al.
5,978,720 A 11/1999 Hieronymus et al.
6,085,135 A 7/2000 Steckel
D471,916 S 3/2003 Chaudhri et al.

D498,479 S 11/2004 Totten et al.
D536,701 S 2/2007 Gusmorino et al.
D540,813 S 4/2007 Gusmorino et al.
D555,165 S 11/2007 Myers et al.
7,337,023 B2 2/2008 Diekhans
D590,417 S 4/2009 Barcheck et al.
D606,550 S * 12/2009 La et al. D14/488
7,627,552 B2 * 12/2009 Moore et al.
D613,756 S 4/2010 Moreau et al.
D683,759 S 6/2013 Ridl et al.
D683,760 S 6/2013 Ridl et al.
D689,099 S 9/2013 Lim

(Continued)

FOREIGN PATENT DOCUMENTS

EP 1865396 A2 12/2007
EP 1992213 A1 11/2008

OTHER PUBLICATIONS

Microsoft. "Windows Vista Folder Icon." Bing.com.

(Continued)

Primary Examiner — Angela J Lee

(74) *Attorney, Agent, or Firm* — Ingrassia, Fisher & Lorenz, P.C.

(57) **CLAIM**

The ornamental design for a display screen or portion thereof with icon, as shown and described.

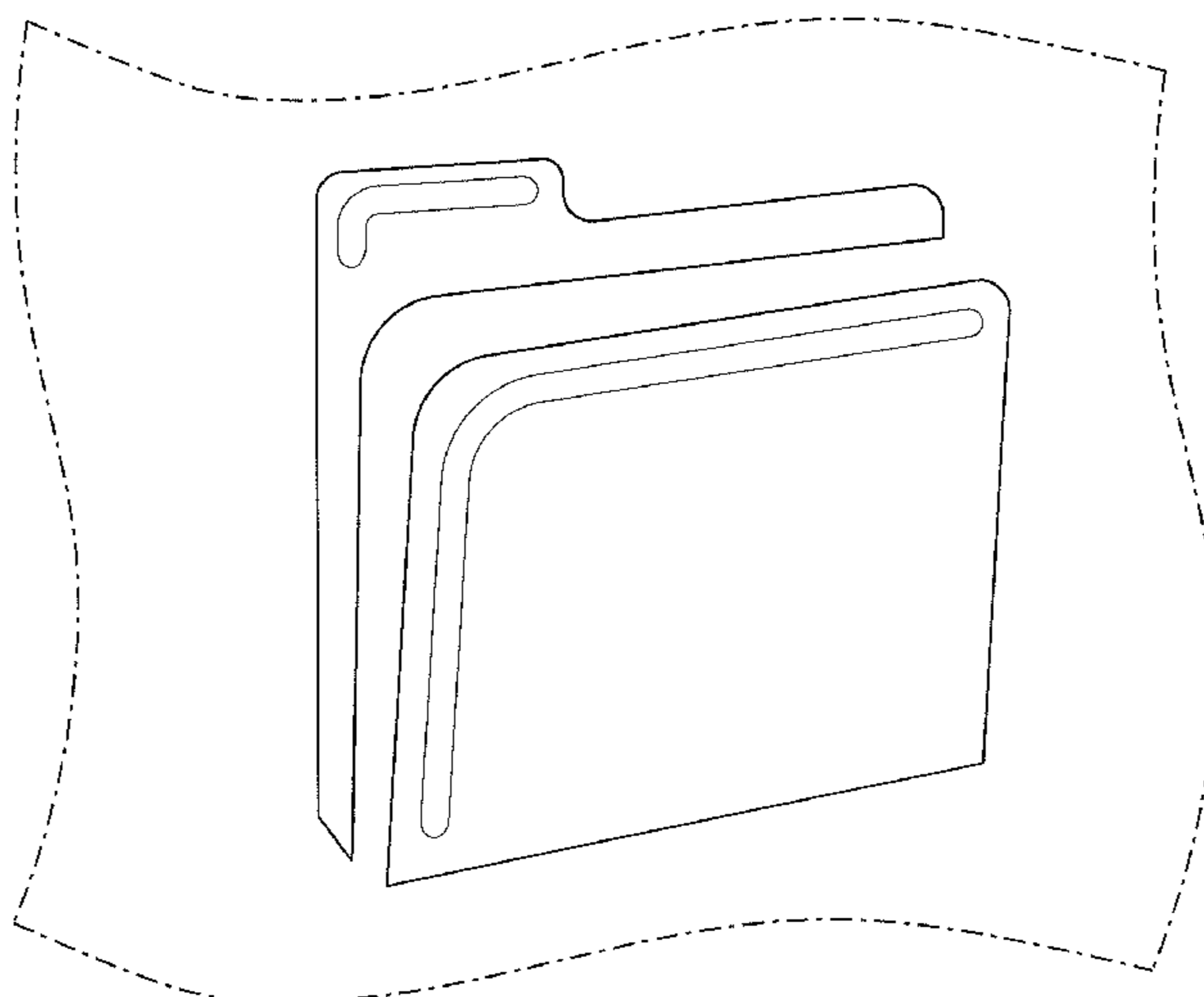
DESCRIPTION

The sole FIGURE is a front view of a display screen or portion thereof with icon showing our new design.

The broken line representation of the display screen or portion thereof forms no part of the claimed design.

Example devices having display screens on which the various icons of the claimed design may be provided include one or more of computers, tablets, smart phones, control interfaces, gauges and measurement instruments.

1 Claim, 1 Drawing Sheet



(56)

References Cited

U.S. PATENT DOCUMENTS

D695,314 S 12/2013 Jang et al.
D709,086 S * 7/2014 Baumann D14/488
D709,089 S * 7/2014 Eilam D14/489
D709,098 S * 7/2014 Kobayashi D14/493
D713,418 S * 9/2014 Yang et al. D14/493
D729,843 S * 5/2015 Bray et al. D14/493
D733,757 S * 7/2015 Kim et al. D14/493
2007/0079255 A1 * 4/2007 Gourdol et al. 715/815
2009/0235175 A1 * 9/2009 Kardamilas 715/736

2010/0251170 A1 9/2010 Louch et al.
2011/0072377 A1 * 3/2011 Yoon et al. 715/768
2012/0023431 A1 * 1/2012 Roth et al. 715/772
2013/0174069 A1 7/2013 Lee

OTHER PUBLICATIONS

Microsoft. "Folders". Bing.com.
Microsoft. "Folder." Bing.com.
"Folder". Bing.com.
Microsoft. Icons.

* cited by examiner

