

US00D739874S

(12) **United States Design Patent**
Bray

(10) **Patent No.:** **US D739,874 S**

(45) **Date of Patent:** **** Sep. 29, 2015**

(54) **DISPLAY SCREEN OR PORTION THEREOF WITH ICON**

(71) Applicant: **Deere & Company**, Moline, IL (US)

(72) Inventor: **Nicholas R. Bray**, Marion, IA (US)

(73) Assignee: **Deere & Company**, Moline, IL (US)

(**) Term: **14 Years**

(21) Appl. No.: **29/518,514**

(22) Filed: **Feb. 24, 2015**

Related U.S. Application Data

(62) Division of application No. 29/456,093, filed on May 28, 2013, now Pat. No. Des. 730,394.

(51) **LOC (10) Cl.** **14-04**

(52) **U.S. Cl.**
USPC **D14/489**

(58) **Field of Classification Search**
USPC D14/485-495; 715/703, 715, 727, 763, 715/773, 776, 779, 839, 810, 811, 812, 813, 715/814, 815, 821, 825, 828, 833, 835, 836, 715/837, 838, 840, 846, 847, 864, 963, 974, 715/976, 977
CPC G06F 3/0482; G06F 8/34; G06F 3/04817; G06F 3/048

See application file for complete search history.

(56) **References Cited**

U.S. PATENT DOCUMENTS

5,712,782 A 1/1998 Weigelt et al.
5,889,671 A 3/1999 Autermann et al.
5,978,720 A 11/1999 Hieronymus et al.
6,085,135 A 7/2000 Steckel
D462,695 S * 9/2002 Nguyen Van Huong D14/485
D463,443 S * 9/2002 Van Huong D14/485
D553,147 S * 10/2007 Hally et al. D14/487

D554,145 S * 10/2007 O'Donnell et al. D14/489
7,337,023 B2 2/2008 Diekhans
D563,981 S * 3/2008 Montagne et al. D14/489
D563,982 S 3/2008 Montagne et al.
D590,418 S 4/2009 Barcheck et al.
D591,305 S * 4/2009 Shimoda D14/485
D593,107 S * 5/2009 Shimoda et al. D14/485
D628,584 S 12/2010 Umezawa
D658,204 S 4/2012 Jones
D658,679 S 5/2012 Davydov et al.
8,375,326 B2 2/2013 Bucher et al.

(Continued)

FOREIGN PATENT DOCUMENTS

EP 1865396 A2 12/2007
EP 1992213 A1 11/2008

OTHER PUBLICATIONS

VisualPharm. "Charts Radar Plot Icon." IconArchive.com online catalog. Copyright 2013 IconArchive.com.

(Continued)

Primary Examiner — Angela J Lee

(74) *Attorney, Agent, or Firm* — Ingrassia, Fisher & Lorenz, P.C.

(57) **CLAIM**

The ornamental design for a display screen or portion thereof with icon, as shown and described.

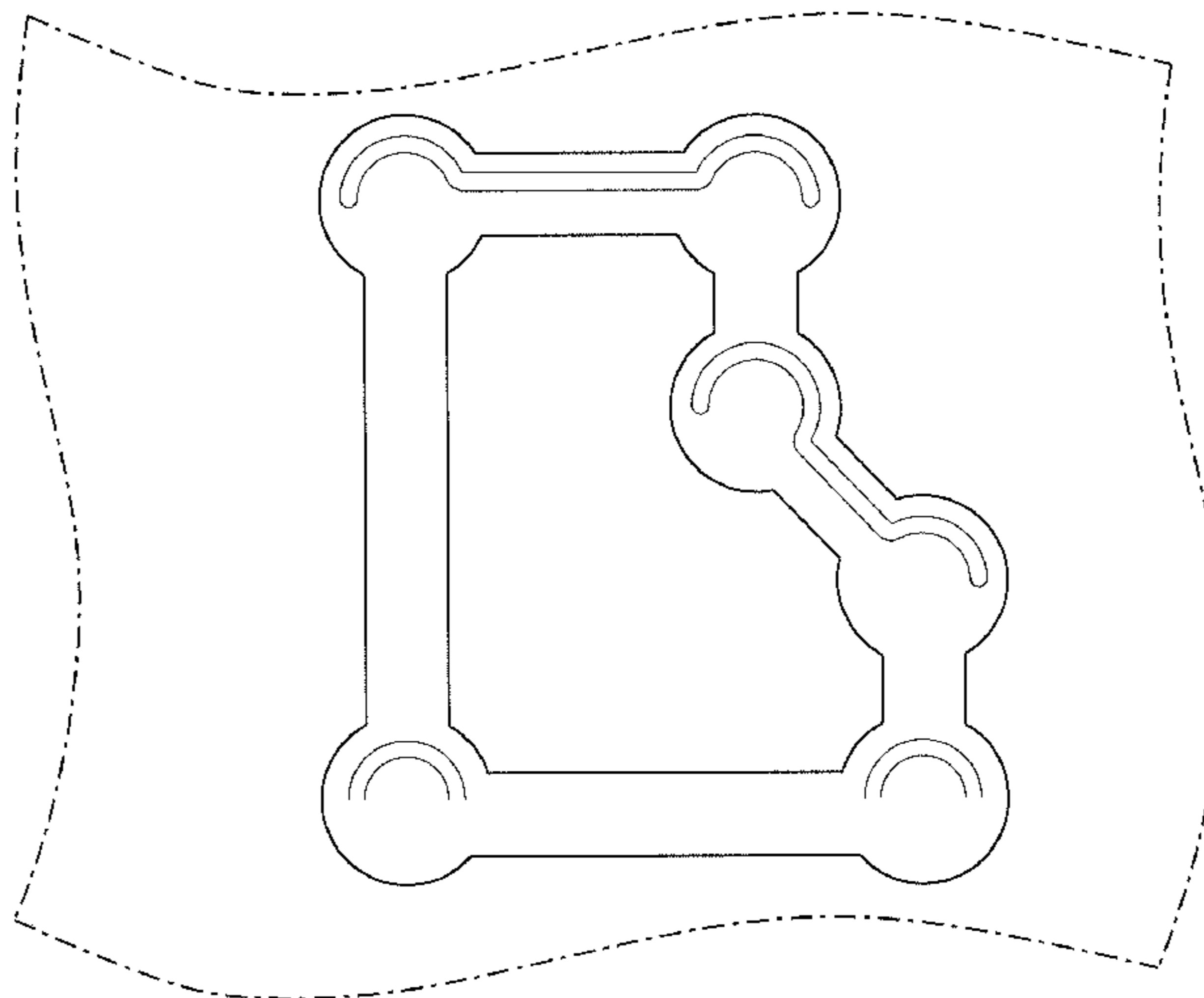
DESCRIPTION

The sole FIGURE is a front view of a display screen or portion thereof with icon showing my new design.

The broken line representation of the display screen or portion thereof forms no part of the claimed design.

Example devices having display screens on which the various icons of the claimed design may be provided include one or more of computers, tablets, smart phones, control interfaces, gauges and measurement instruments.

1 Claim, 1 Drawing Sheet



(56)

References Cited

U.S. PATENT DOCUMENTS

D681,667 S 5/2013 Phelan
D698,816 S * 2/2014 Phelan et al. D14/488
D700,208 S 2/2014 Phelan et al.
D704,733 S 5/2014 Jewitt
D704,734 S 5/2014 Wafapoor
D710,892 S 8/2014 Hollobaugh et al.

D730,394 S * 5/2015 Bray D14/489
2008/0057926 A1 3/2008 Forstall et al.
2014/0229898 A1 8/2014 Terwedo

OTHER PUBLICATIONS

John Deere. "User Guide—GS3 2630 Display." pp. 12 and 18. Copyright 2012 Deere & Company.

* cited by examiner

