

US00D739858S

(12) **United States Design Patent**
Matias

(10) **Patent No.:** **US D739,858 S**

(45) **Date of Patent:** **** Sep. 29, 2015**

(54) **COMPUTER KEYBOARD LINKAGE**

(71) Applicant: **Edgar Matias**, Toronto (CA)

(72) Inventor: **Edgar Matias**, Toronto (CA)

(73) Assignees: **Other World Computing, Inc.**,
Woodstock, IL (US); **The Matias**
Corporation, Toronto (CA)

(**) Term: **14 Years**

(21) Appl. No.: **29/481,650**

(22) Filed: **Feb. 7, 2014**

(51) **LOC (10) Cl.** **14-02**

(52) **U.S. Cl.**
USPC **D14/457**

(58) **Field of Classification Search**
USPC D14/240, 138, 318, 341, 391-399, 443,
D14/455-457; D18/1, 2, 7, 11; 178/17 A,
178/17 C; 200/5 A, 5 R, 6 A, 6 R; 235/145 A,
235/145 R; 341/20-23; 345/156, 160, 168,
345/169, 173; 361/679.08, 679.09,
361/679.11-679.19; 400/484-489, 492,
400/472; D8/349, 354, 382
CPC G06F 1/16; G06F 1/1616; G06F 1/162;
G06F 1/1601; G06F 1/1626; G09B 13/04;
H03M 11/00; H03K 17/94; H01H 3/125;
H01H 13/705; A45F 5/02

See application file for complete search history.

(56) **References Cited**

U.S. PATENT DOCUMENTS

D319,822	S	*	9/1991	Troke	D14/457
D361,260	S	*	8/1995	Trentham	D8/373
D367,220	S	*	2/1996	Bush	D8/373
D370,476	S	*	6/1996	Dalesky	D14/395
D398,514	S	*	9/1998	Anderson	D8/349
5,901,837	A	*	5/1999	Aimi	200/344
6,279,861	B1	*	8/2001	Nolan	248/188.2
D538,630	S	*	3/2007	Sergi	D8/354
D585,063	S	*	1/2009	Hargreaves et al.	D14/393
D611,481	S	*	3/2010	Manalo	D14/455
8,053,697	B2	*	11/2011	Lin	200/344
D670,996	S	*	11/2012	Rogers	D8/363
2007/0285395	A1	*	12/2007	Hargreaves et al.	345/168

* cited by examiner

Primary Examiner — Freda S Nunn

(74) *Attorney, Agent, or Firm* — Scherrer Patent & Trademark Law, P.C.; Stephen T. Scherrer; Monique A. Morneault

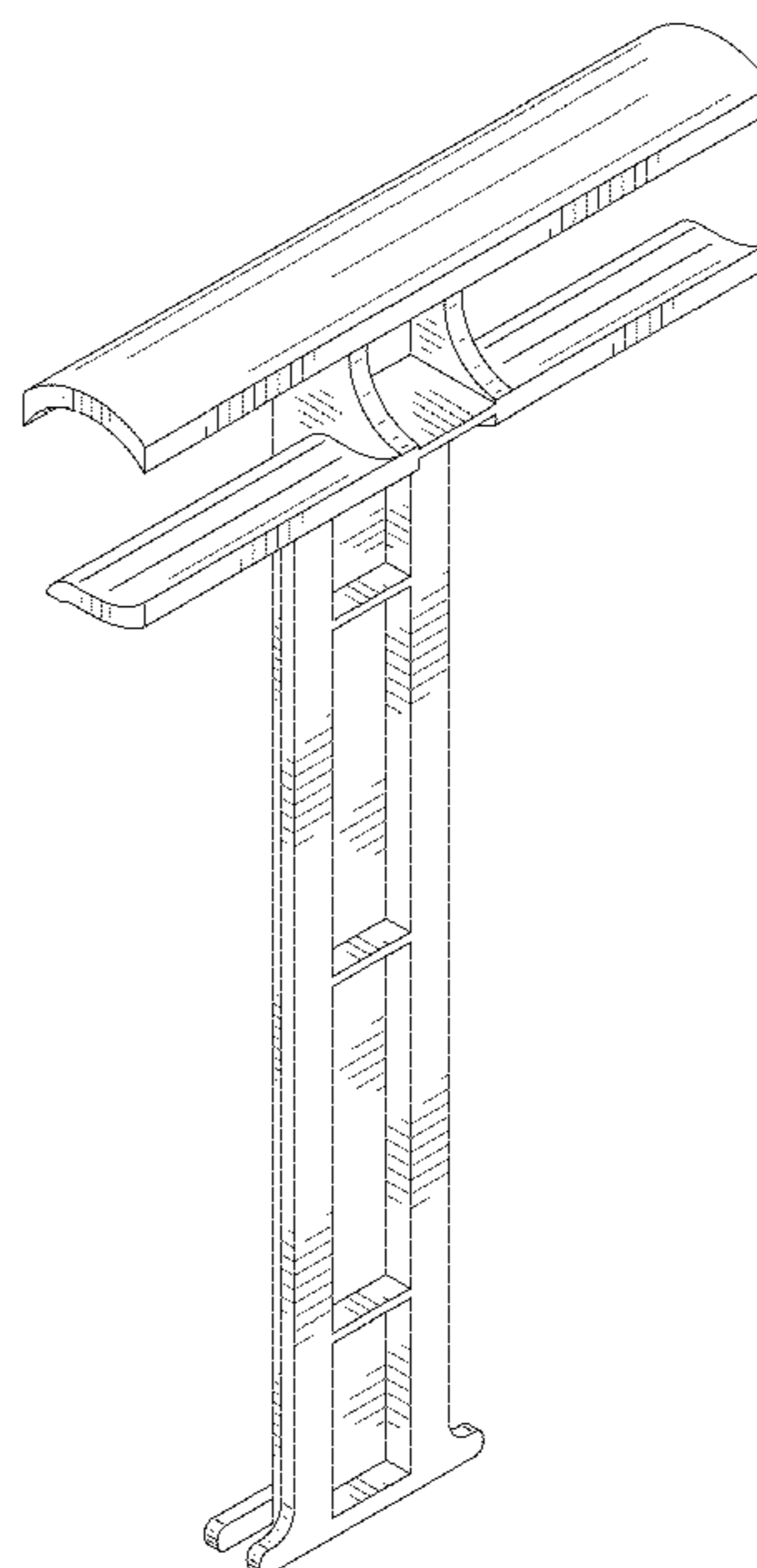
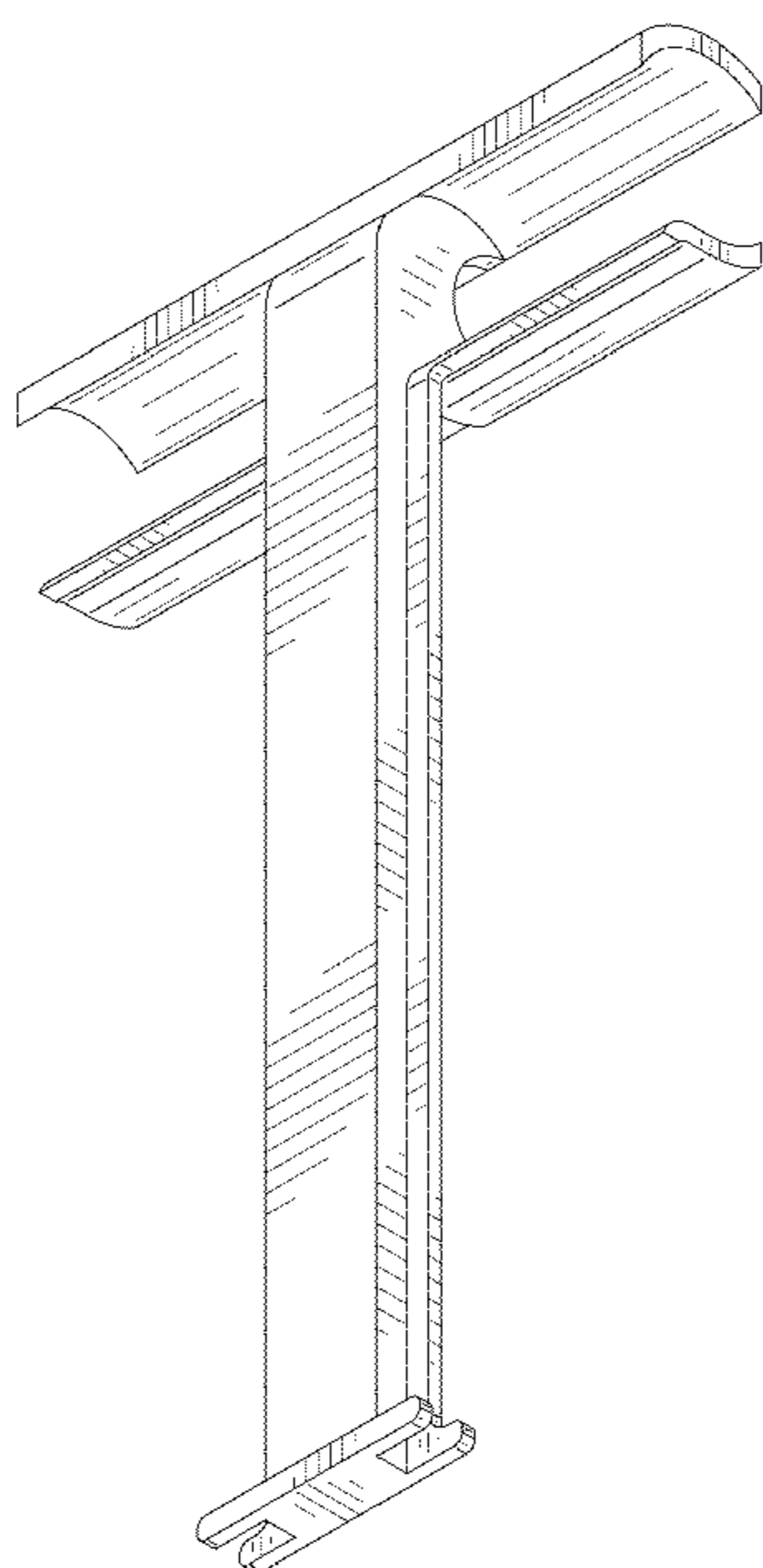
(57) **CLAIM**

The ornamental design for a computer keyboard linkage, as shown and described.

DESCRIPTION

FIG. 1 is a front perspective view of a computer keyboard linkage;
FIG. 2 is a rear raised perspective view thereof;
FIG. 3 is a rear perspective view thereof;
FIG. 4 is a rear elevational view thereof;
FIG. 5 is a front elevational view thereof;
FIG. 6 is a side elevational view thereof, the opposite side being a mirror image thereof;
FIG. 7 is a top view thereof; and,
FIG. 8 is a bottom view thereof.

1 Claim, 5 Drawing Sheets



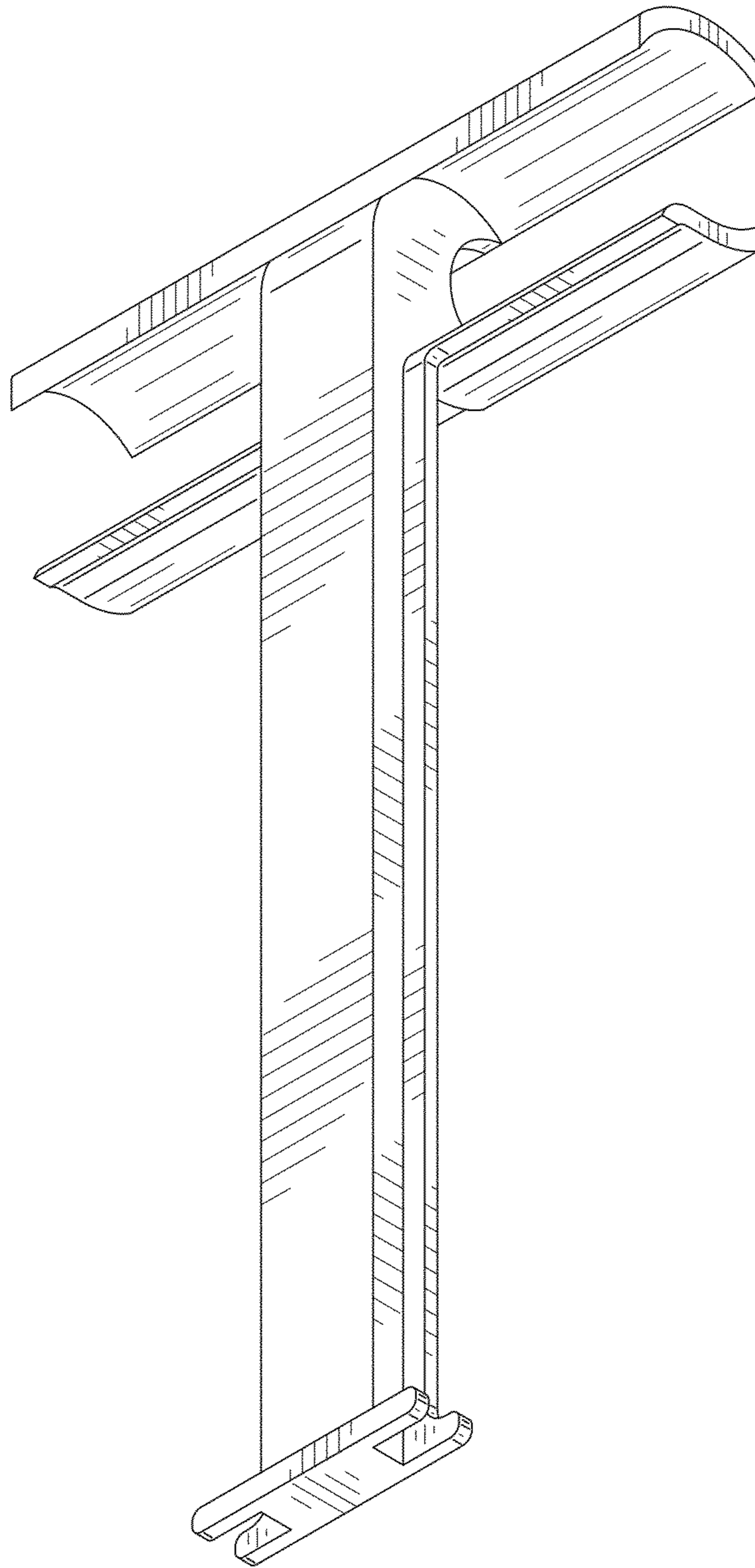


FIG. 1

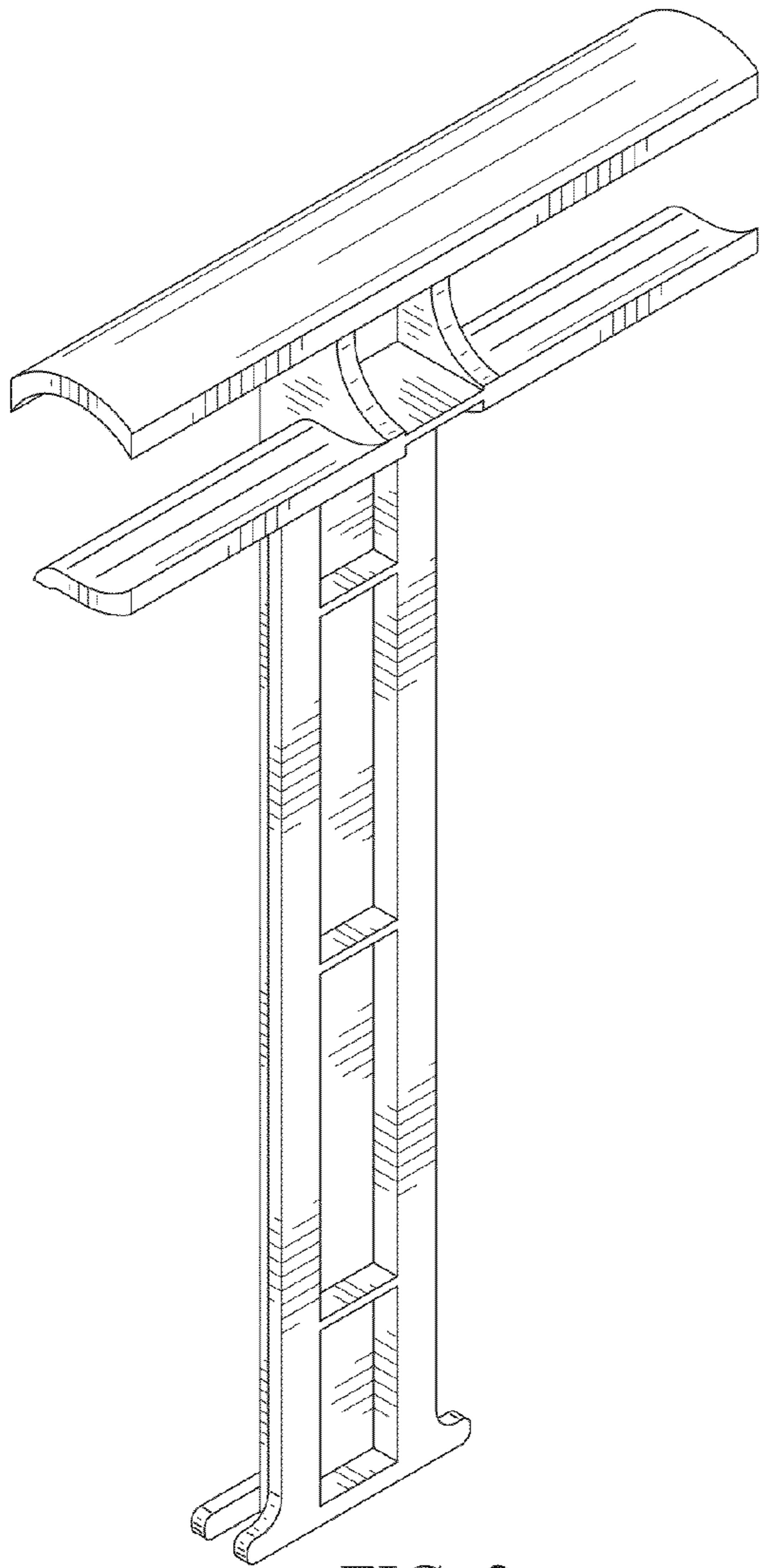


FIG. 2

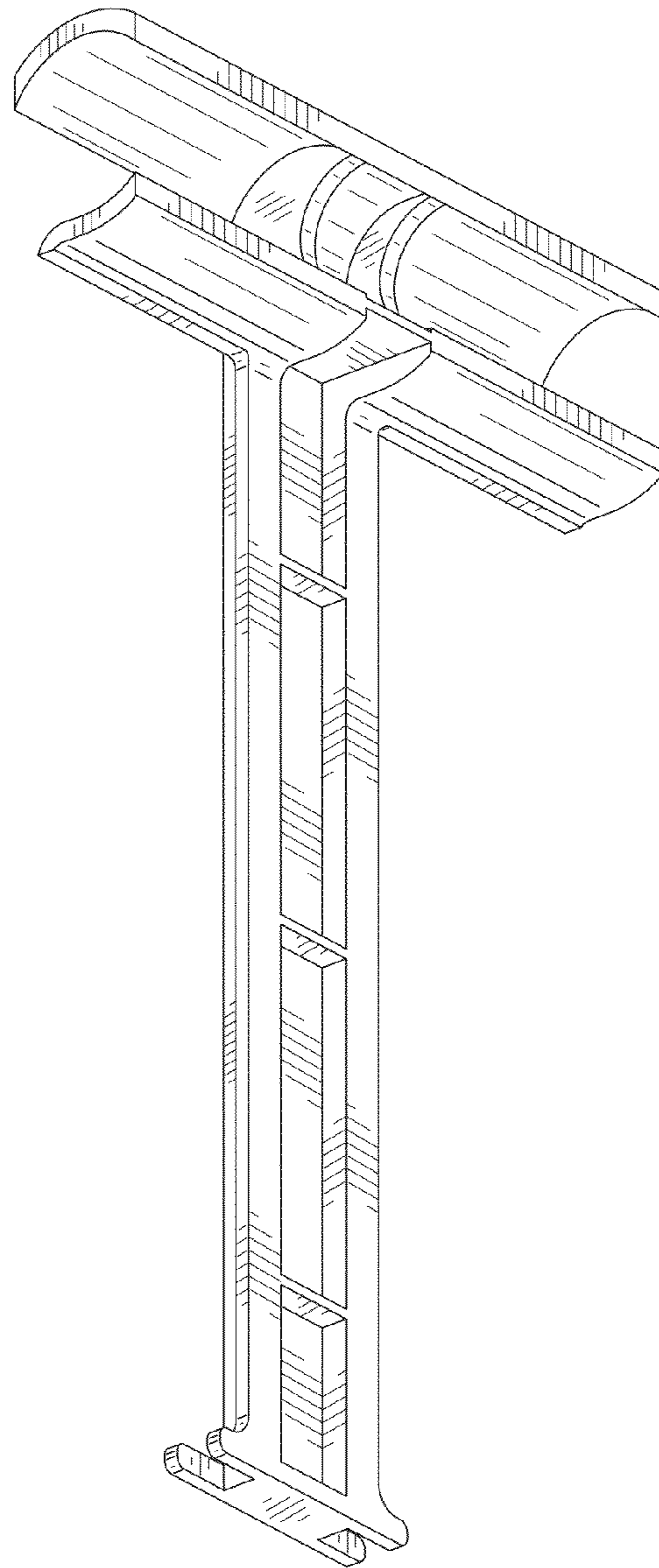


FIG. 3

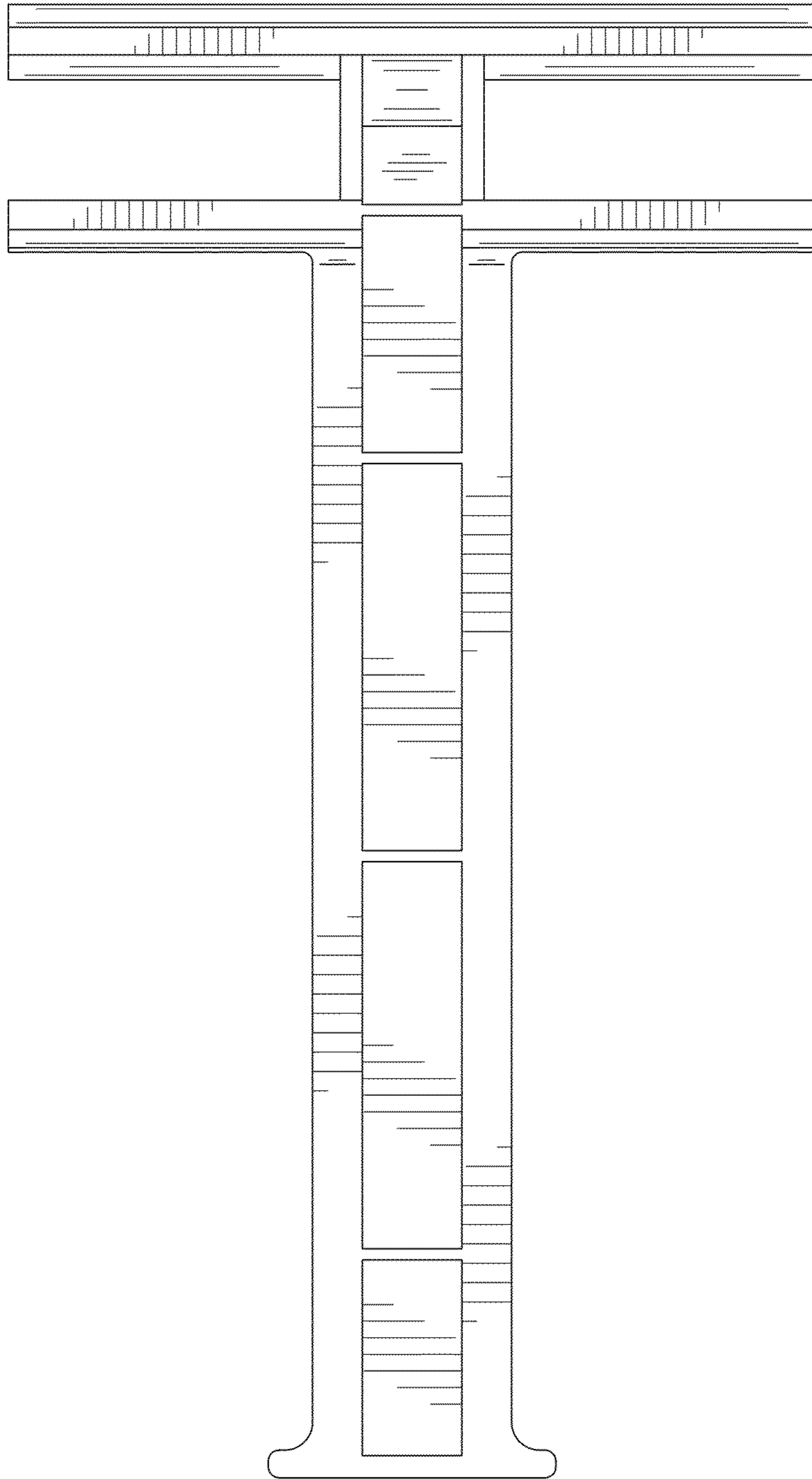


FIG. 4

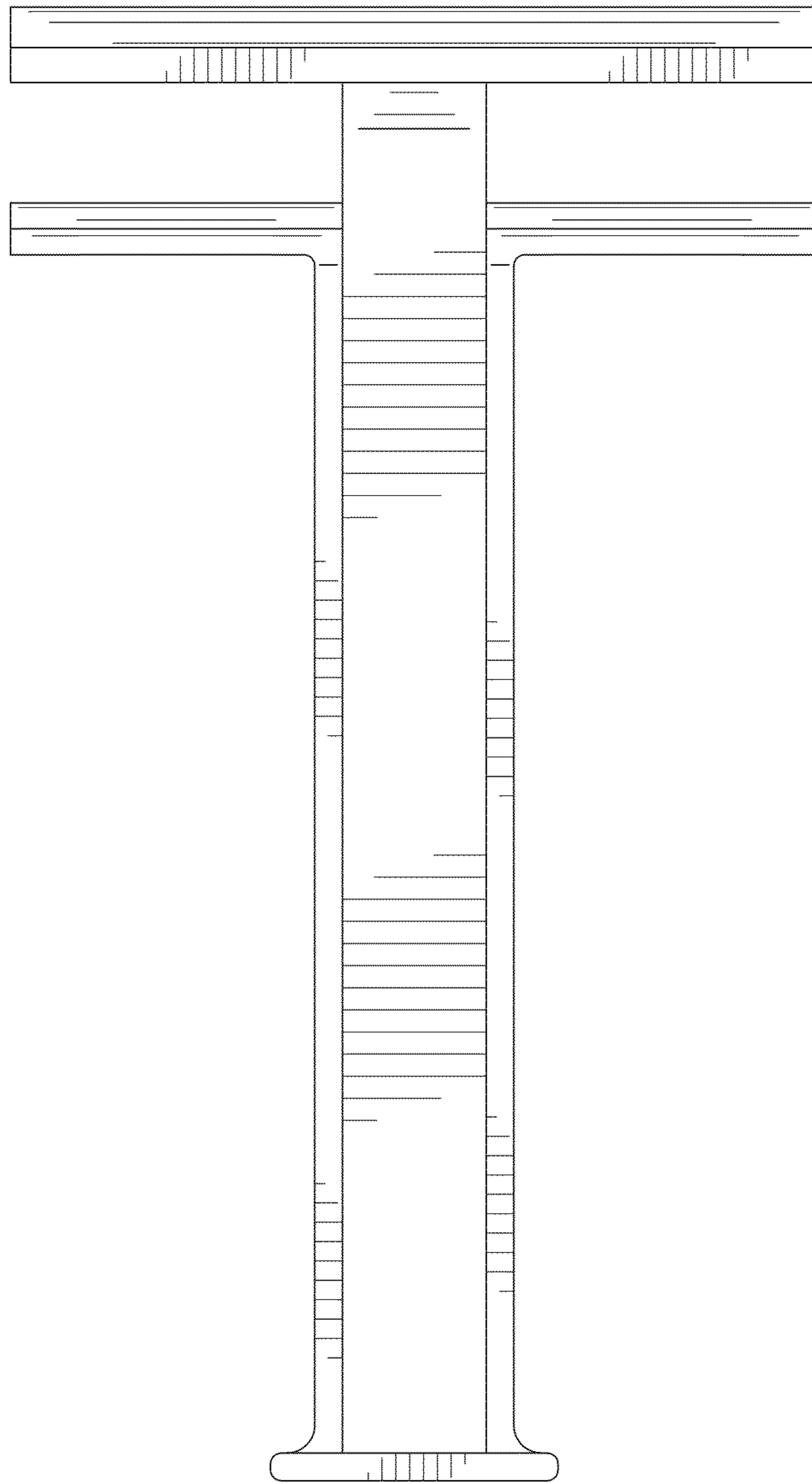


FIG. 5

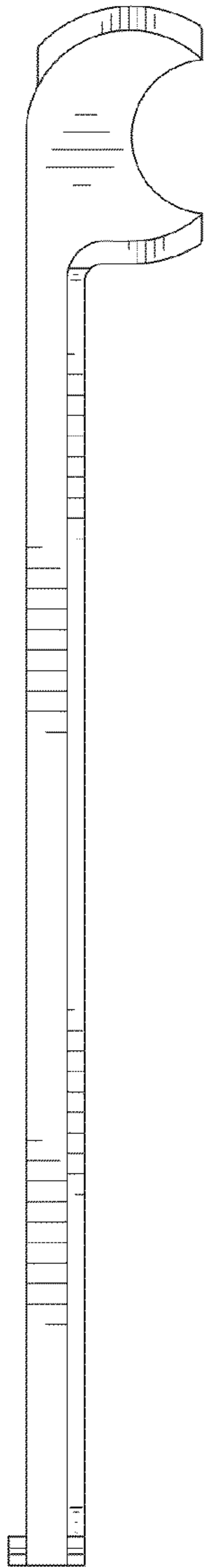


FIG. 6

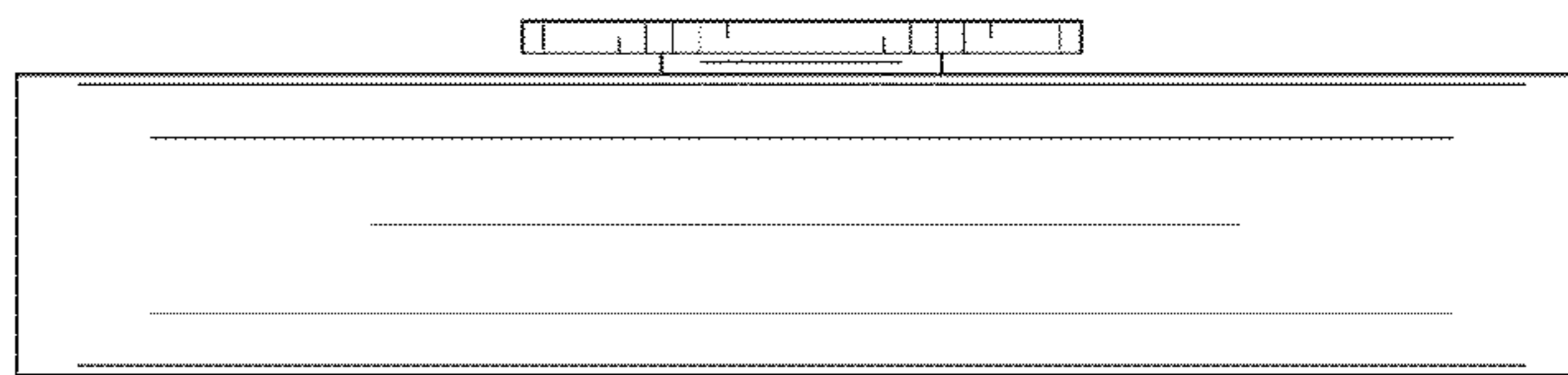


FIG. 7

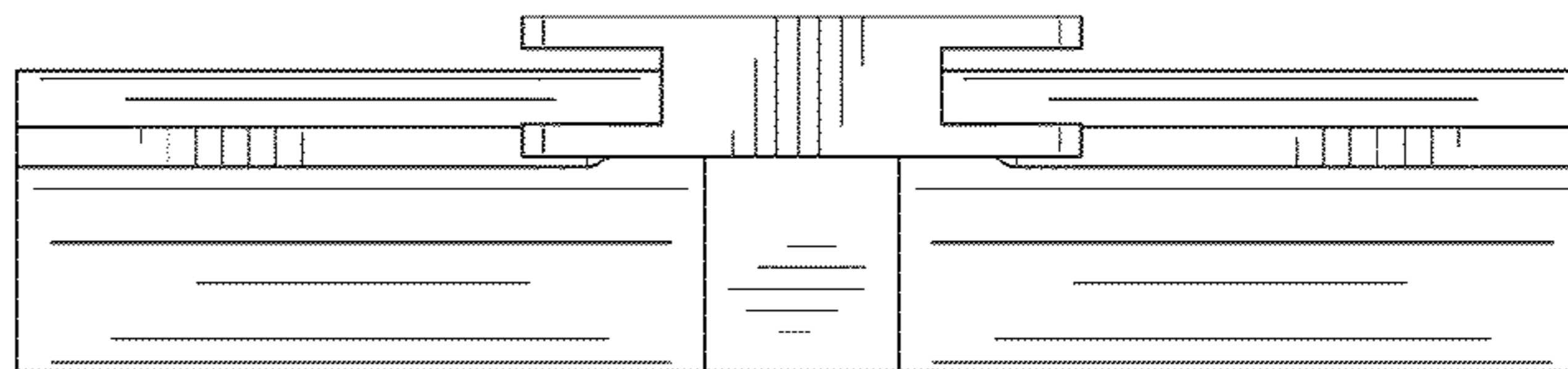


FIG. 8