



US00D739857S

(12) **United States Design Patent**  
**Lay et al.**

(10) **Patent No.:** **US D739,857 S**

(45) **Date of Patent:** **\*\* Sep. 29, 2015**

(54) **MOUNT FOR ELECTRONIC DEVICE**

(56) **References Cited**

(71) Applicant: **OTTER PRODUCTS, LLC**, Fort Collins, CO (US)

U.S. PATENT DOCUMENTS

(72) Inventors: **Carlton R. Lay**, Fort Collins, CO (US);  
**Adam J. Havens**, Fort Collins, CO (US)

D639,301 S	6/2011	Anderson et al.	
D657,795 S *	4/2012	Smith et al. ....	D14/447
D660,305 S *	5/2012	Ho et al. ....	D14/447
D666,614 S	9/2012	Ding	
D676,055 S	2/2013	Izen et al.	
D676,453 S *	2/2013	Hsu et al. ....	D14/447
D677,261 S *	3/2013	Hsu et al. ....	D14/447
D687,440 S *	8/2013	Shieh ....	D14/447
D688,670 S	8/2013	Huang	
D692,010 S	10/2013	Verghese	
D703,214 S	4/2014	Lye	
D711,886 S *	8/2014	Kerawala et al. ....	D14/440
D712,906 S	9/2014	Wengreen et al.	
2014/0357094 A1 *	12/2014	Kim ....	439/13

(73) Assignee: **OTTER PRODUCTS, LLC**, Fort Collins, CO (US)

(\*\*) Term: **14 Years**

\* cited by examiner

(21) Appl. No.: **29/491,612**

*Primary Examiner* — Antoine D Davis

(22) Filed: **May 22, 2014**

(51) **LOC (10) Cl.** ..... **14-02**

(57) **CLAIM**

(52) **U.S. Cl.**

The ornamental design for a mount for electronic device, as shown and described.

USPC ..... **D14/447**; D10/80

(58) **Field of Classification Search**

**DESCRIPTION**

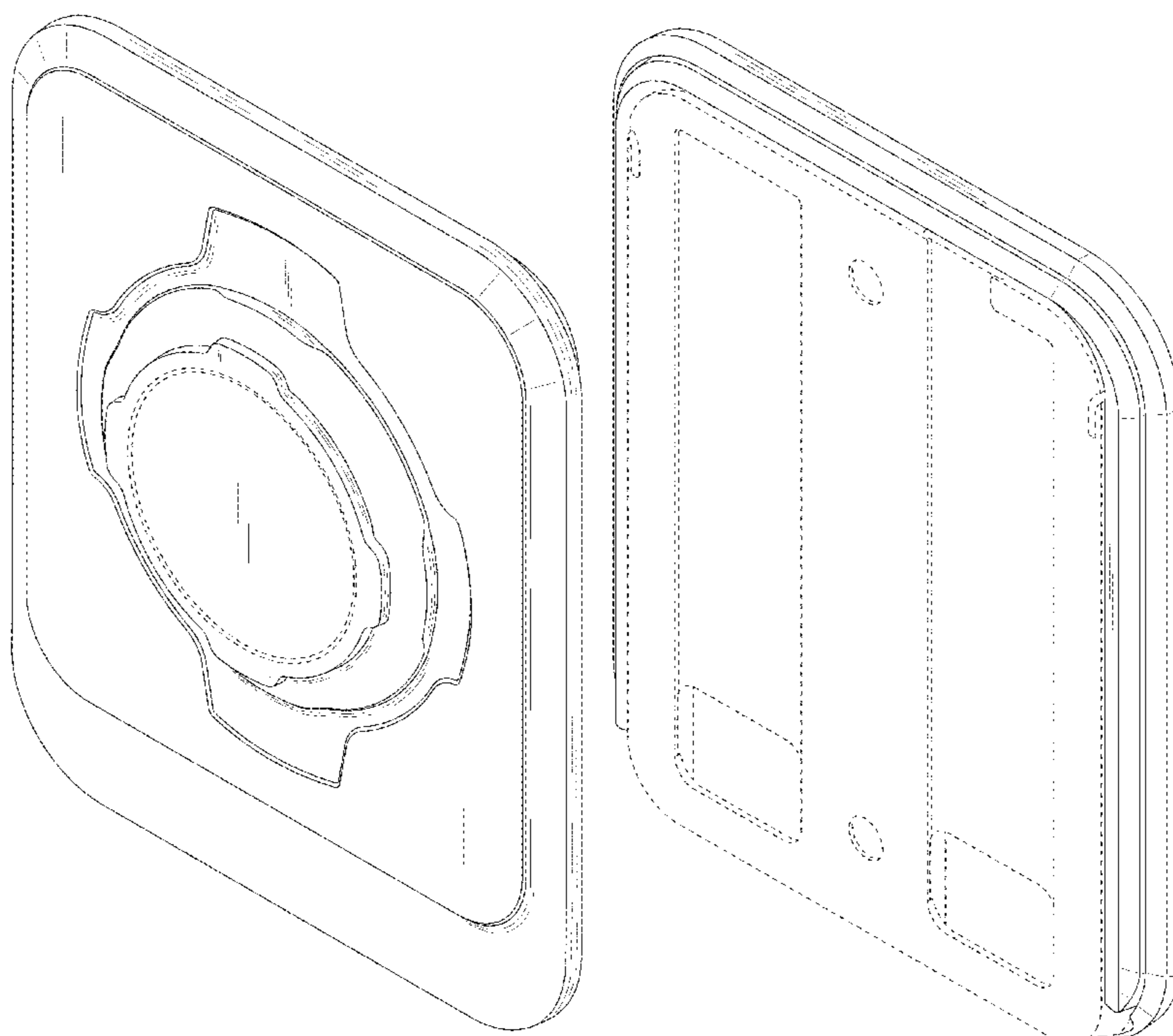
USPC ..... D10/80, 103; D14/250, 251, 253, 240, D14/217, 496, 440, 203.3, 203.4, 203.5, D14/203.8, 341, 318, 447, 451; 248/205.1; 439/335, 38; 455/575.8, 351

CPC .... H01R 13/60; H01R 13/62; H01R 13/6205; H01R 13/621; H01R 13/6215; H01R 13/622; H01R 13/623; H01R 13/625; H01R 13/627; H01R 13/6271; H01R 13/6272; H01R 13/6273; H01R 13/6275; H01R 13/6276; H01R 13/6277; H01R 13/6278

FIG. 1 is a front isometric view of a mount for electronic device showing our new design;  
 FIG. 2 is a rear isometric view thereof;  
 FIG. 3 is a front view thereof;  
 FIG. 4 is a rear view thereof;  
 FIG. 5 is a left view thereof;  
 FIG. 6 is a right view thereof;  
 FIG. 7 is a top view thereof; and,  
 FIG. 8 is a bottom view thereof.  
 The broken lines depict unclaimed environment. The broken lines form no part of the claimed design.

See application file for complete search history.

**1 Claim, 6 Drawing Sheets**



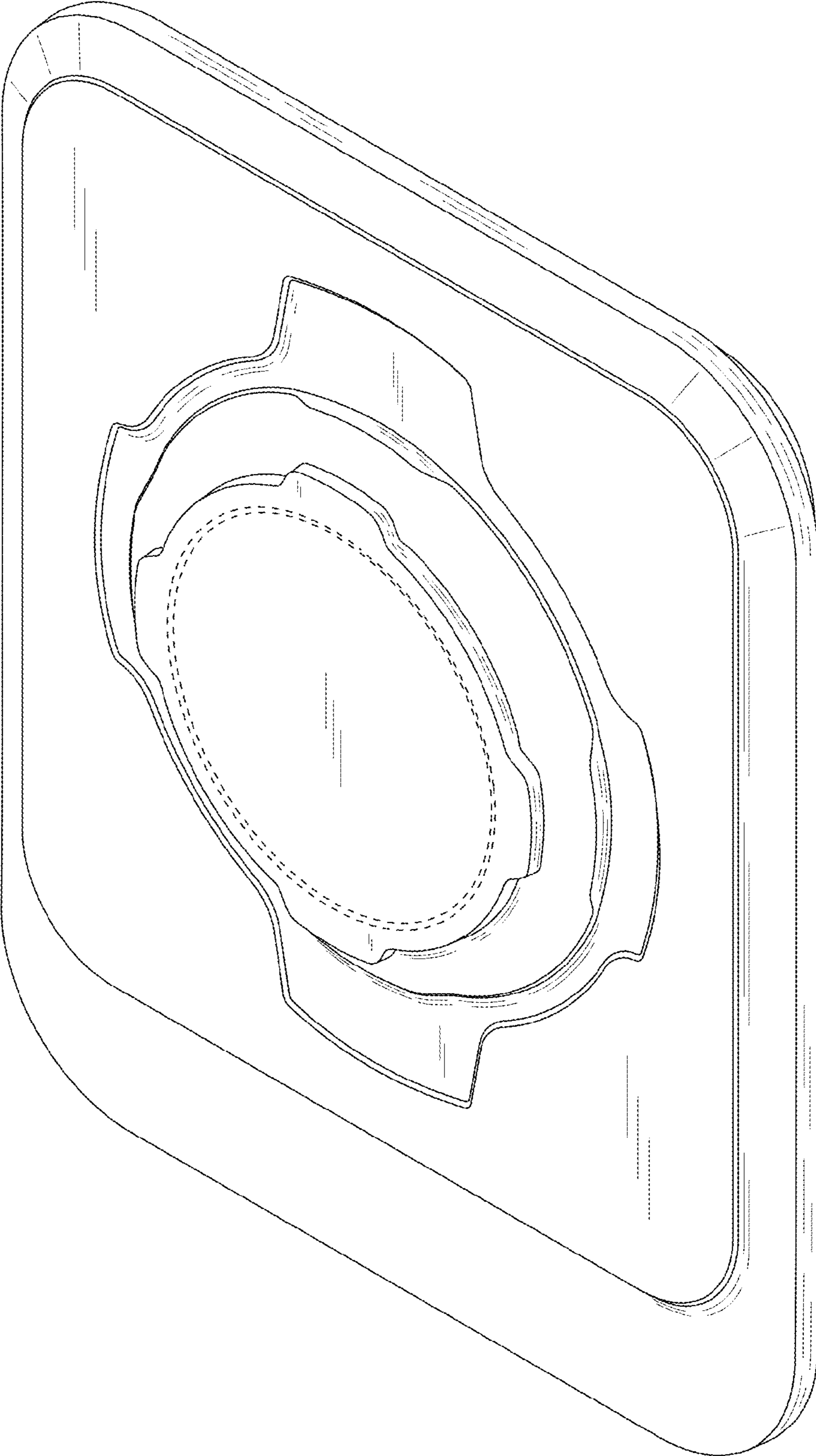


FIG. 1

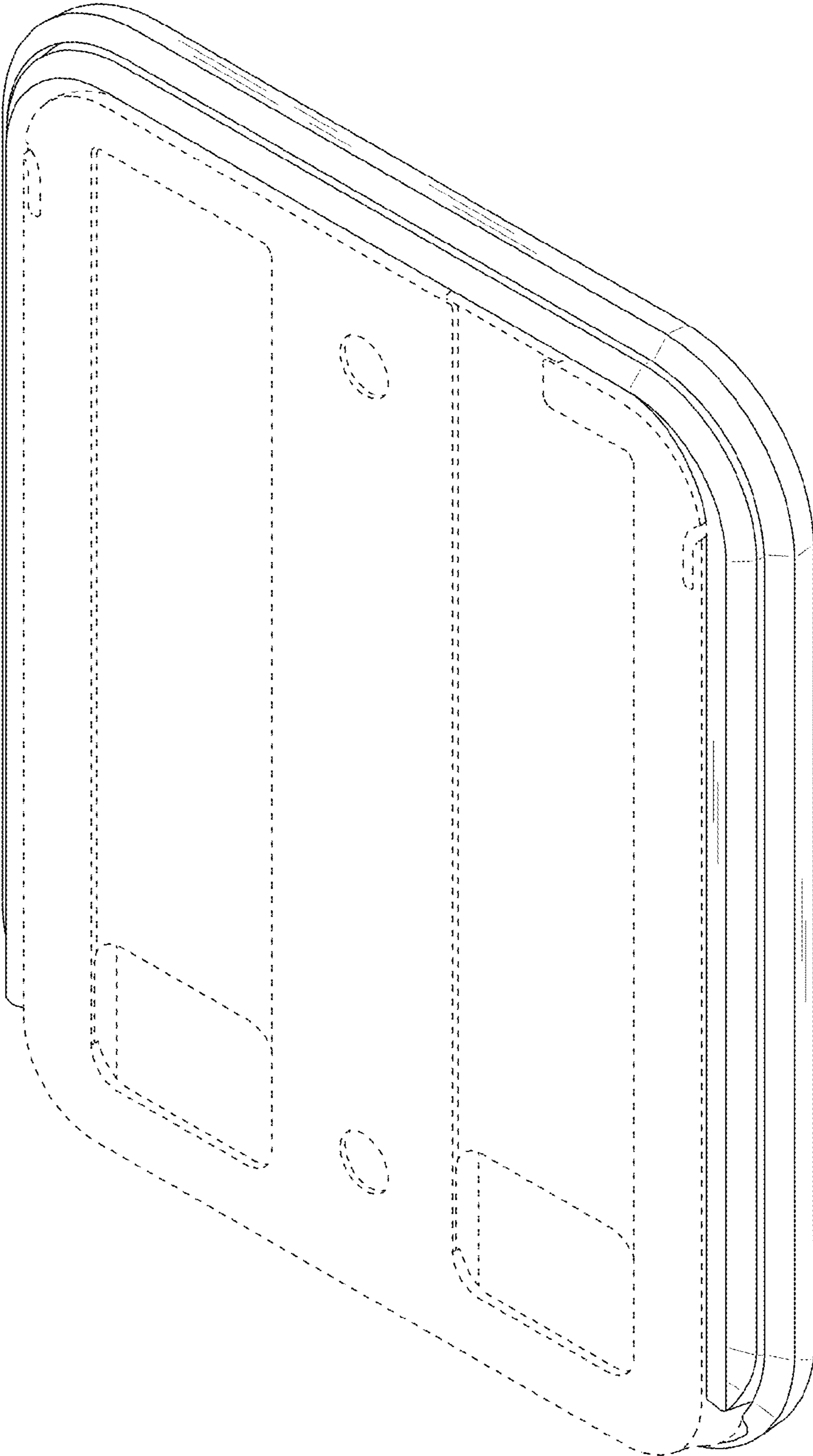


FIG. 2

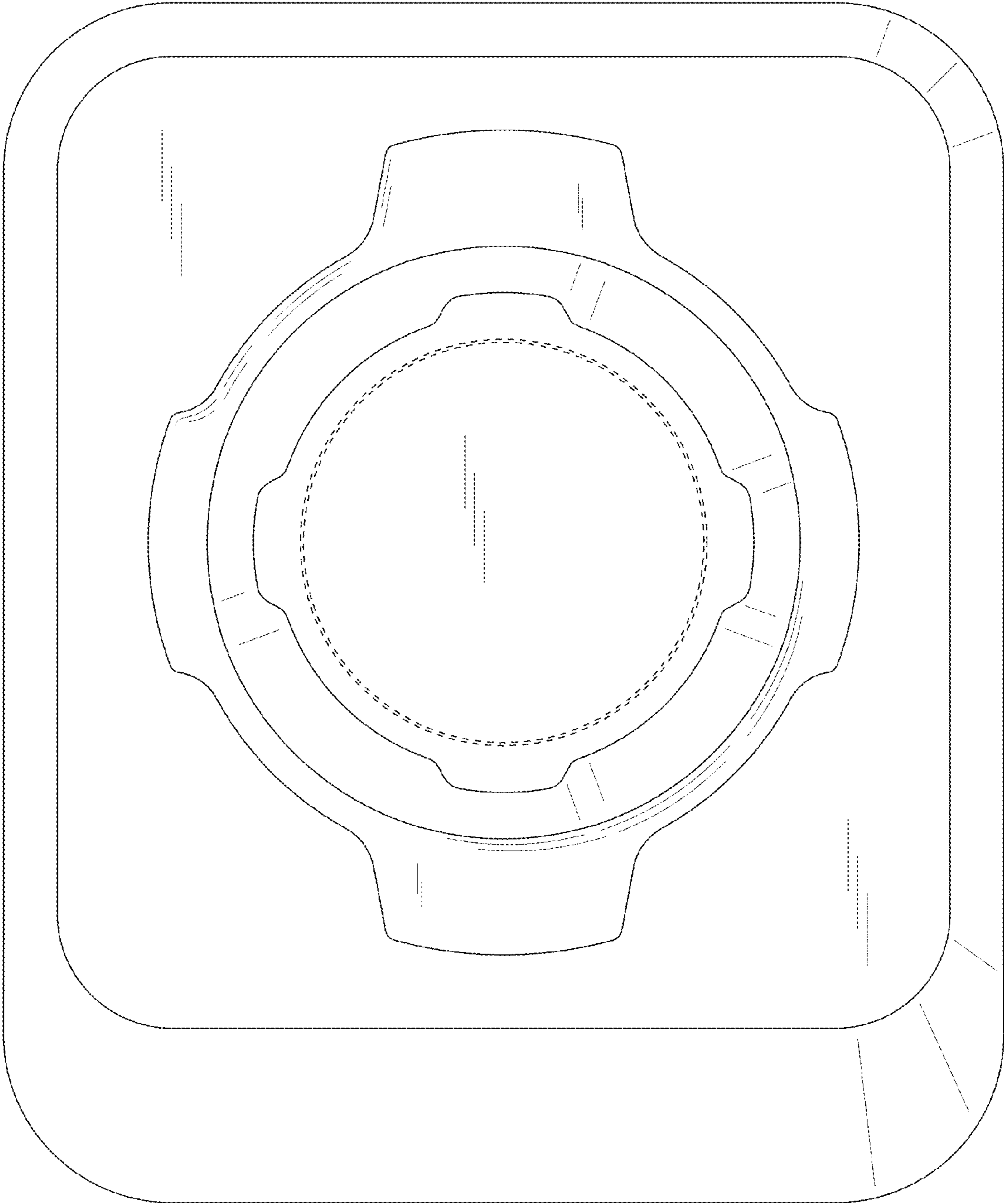


FIG. 3

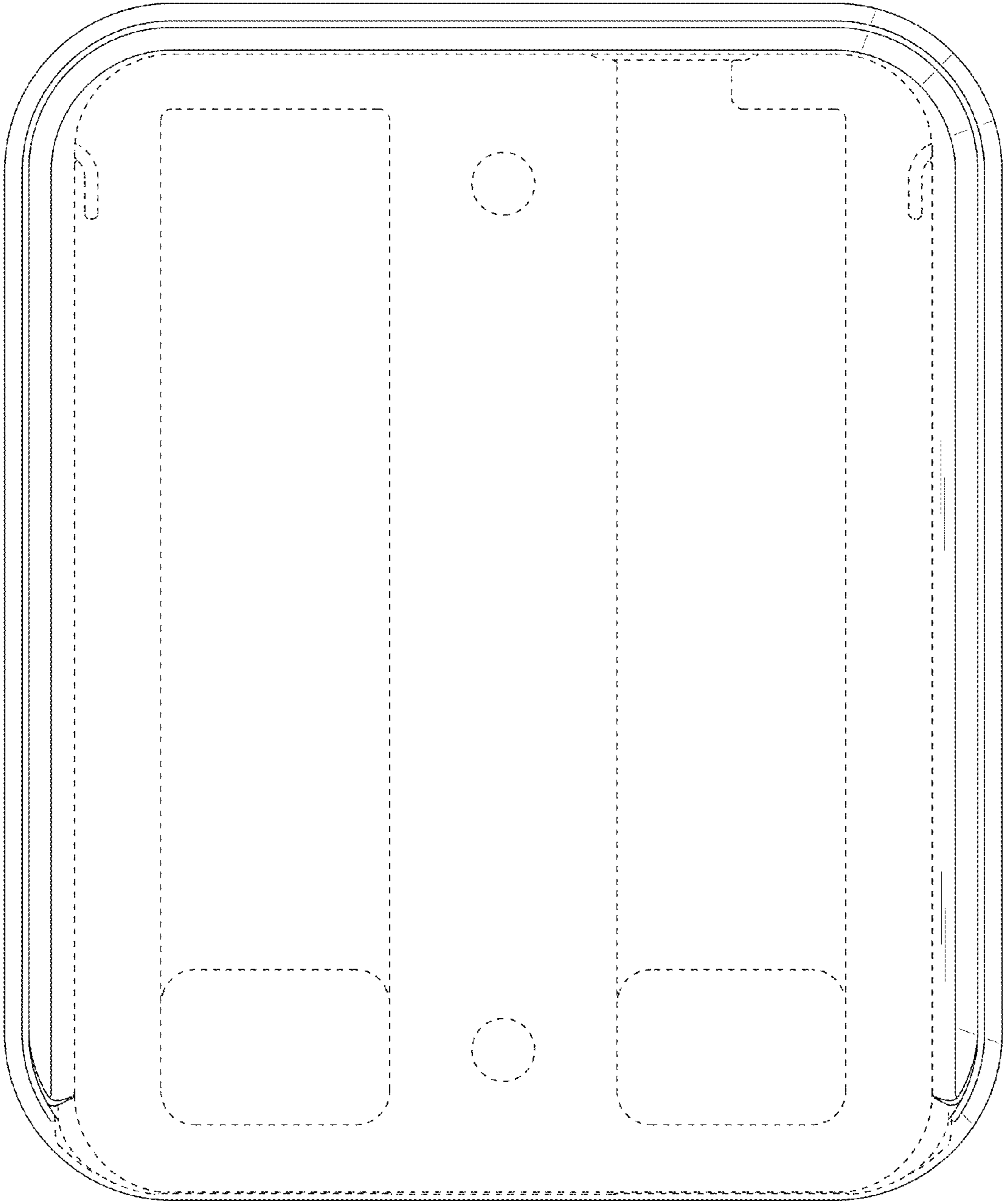


FIG. 4

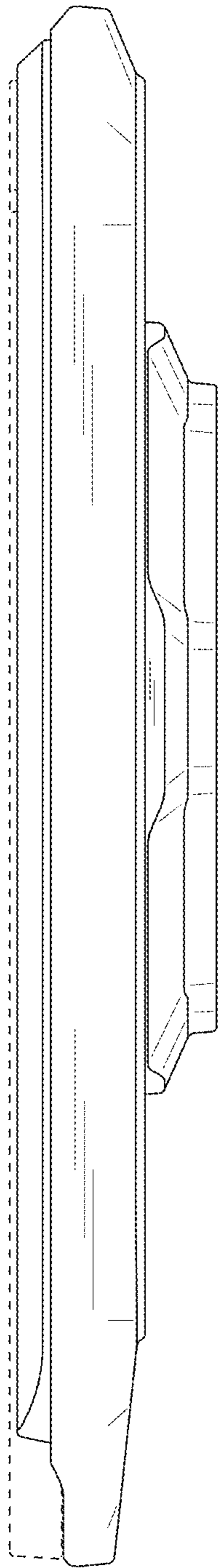


FIG. 5

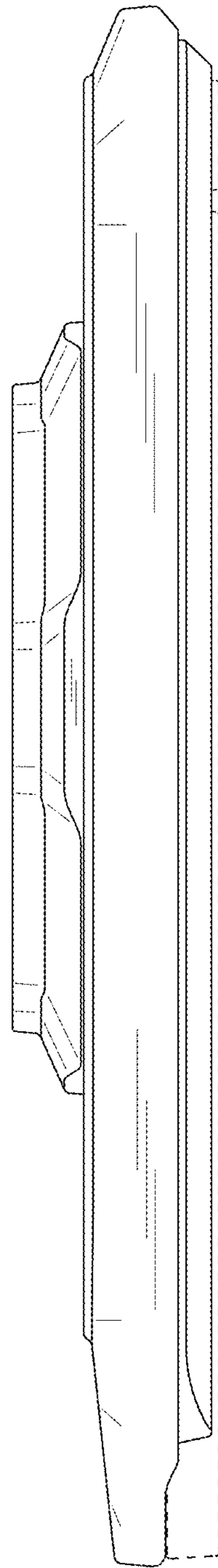


FIG. 6

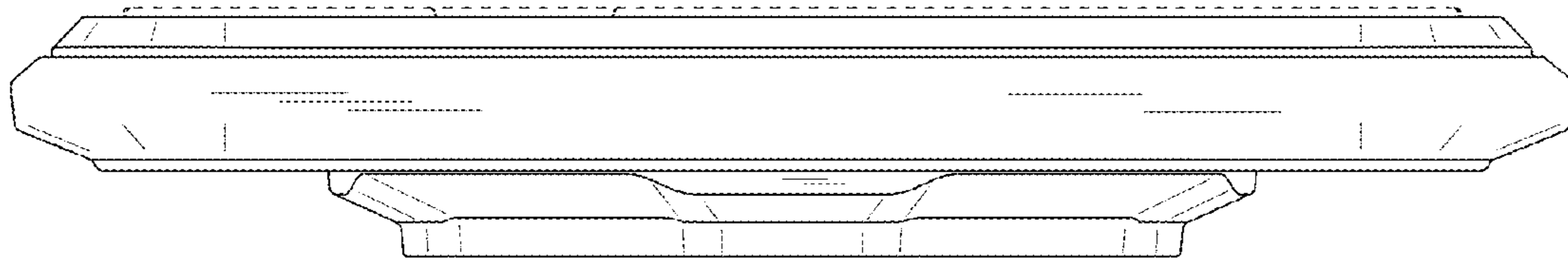


FIG. 7

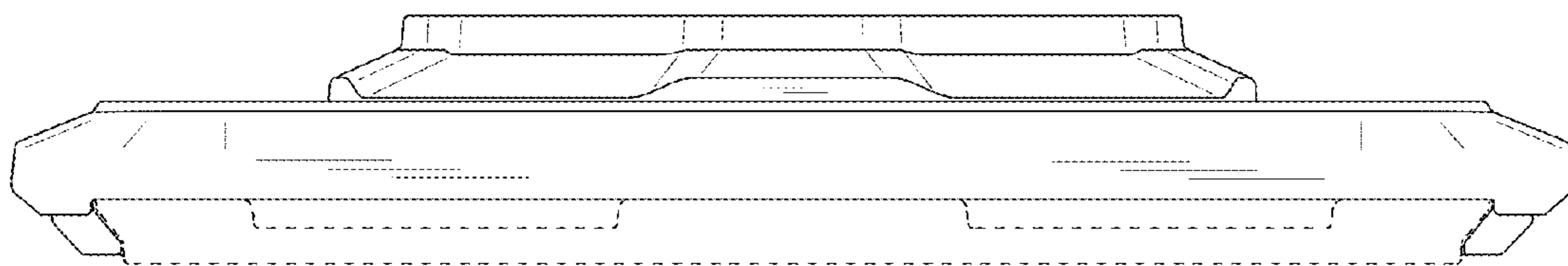


FIG. 8