



US00D739855S

(12) **United States Design Patent**
Bosveld et al.

(10) **Patent No.:** **US D739,855 S**

(45) **Date of Patent:** **** Sep. 29, 2015**

(54) **HEADSET WITH VISOR**

(71) Applicant: **Microsoft Corporation**, Redmond, WA (US)

(72) Inventors: **Paul Bosveld**, Seattle, WA (US); **Nicolas Denhez**, Redmond, WA (US); **YeongKyu Yoo**, Redmond, WA (US); **Phil Frank**, Redmond, WA (US); **Young Duk Song**, Redmond, WA (US); **Henric Jentz**, Redmond, WA (US); **Aditha May Adams**, Seattle, WA (US); **Travis Hosler**, Redmond, WA (US); **Andrew Hodge**, Palo Alto, CA (US)

(73) Assignee: **Microsoft Corporation**, Redmond, WA (US)

(**) Term: **14 Years**

(21) Appl. No.: **29/515,088**

(22) Filed: **Jan. 20, 2015**

(51) **LOC (10) Cl.** **14-02**

(52) **U.S. Cl.**

USPC **D14/372**

(58) **Field of Classification Search**

USPC D14/372, 496, 432, 371, 125, 126, 129, D14/299; D16/300-342; 351/158, 153, 144; 345/7-9, 905; 455/344; 348/115, 53, 348/121, 739

CPC G02B 27/017; G02B 27/0158; G02B 27/0161; G02B 27/0181; G02B 27/0185; G02B 27/0189

See application file for complete search history.

(56) **References Cited**

U.S. PATENT DOCUMENTS

D601,641 S * 10/2009 Yeung D21/483
D687,434 S * 8/2013 Serota D14/372
D701,206 S * 3/2014 Luckey et al. D14/372
D704,706 S * 5/2014 Serota D14/372
D709,880 S * 7/2014 Kim et al. D14/372
D714,786 S * 10/2014 Pombo et al. D14/372

D719,953 S * 12/2014 Nokuo et al. D14/372
D722,054 S * 2/2015 Serota D14/372
D724,559 S * 3/2015 Reaux D14/205
D727,318 S * 4/2015 Garcia Marin et al. D14/372
D727,896 S * 4/2015 Laluque D14/372
2013/0237146 A1* 9/2013 Serota 455/12.1
2013/0285886 A1* 10/2013 Pombo et al. 345/8

* cited by examiner

Primary Examiner — Austin Murphy

(74) *Attorney, Agent, or Firm* — Banner & Witcoff, Ltd.

(57) **CLAIM**

The ornamental design for a headset with visor, as shown and described.

DESCRIPTION

FIG. 1 is a front perspective view of a headset with visor showing our new design;

FIG. 2 is a rear perspective view thereof;

FIG. 3 is a front view thereof;

FIG. 4 is a rear view thereof;

FIG. 5 is a left side view thereof;

FIG. 6 is a right side view thereof;

FIG. 7 is a top view thereof;

FIG. 8 is a bottom view thereof;

FIG. 9 is a front perspective view of the headset with visor of FIGS. 1-8 shown with selected disclaimed features removed for clarity;

FIG. 10 is a rear perspective view thereof;

FIG. 11 is a front view thereof;

FIG. 12 is a rear view thereof;

FIG. 13 is a left side view thereof;

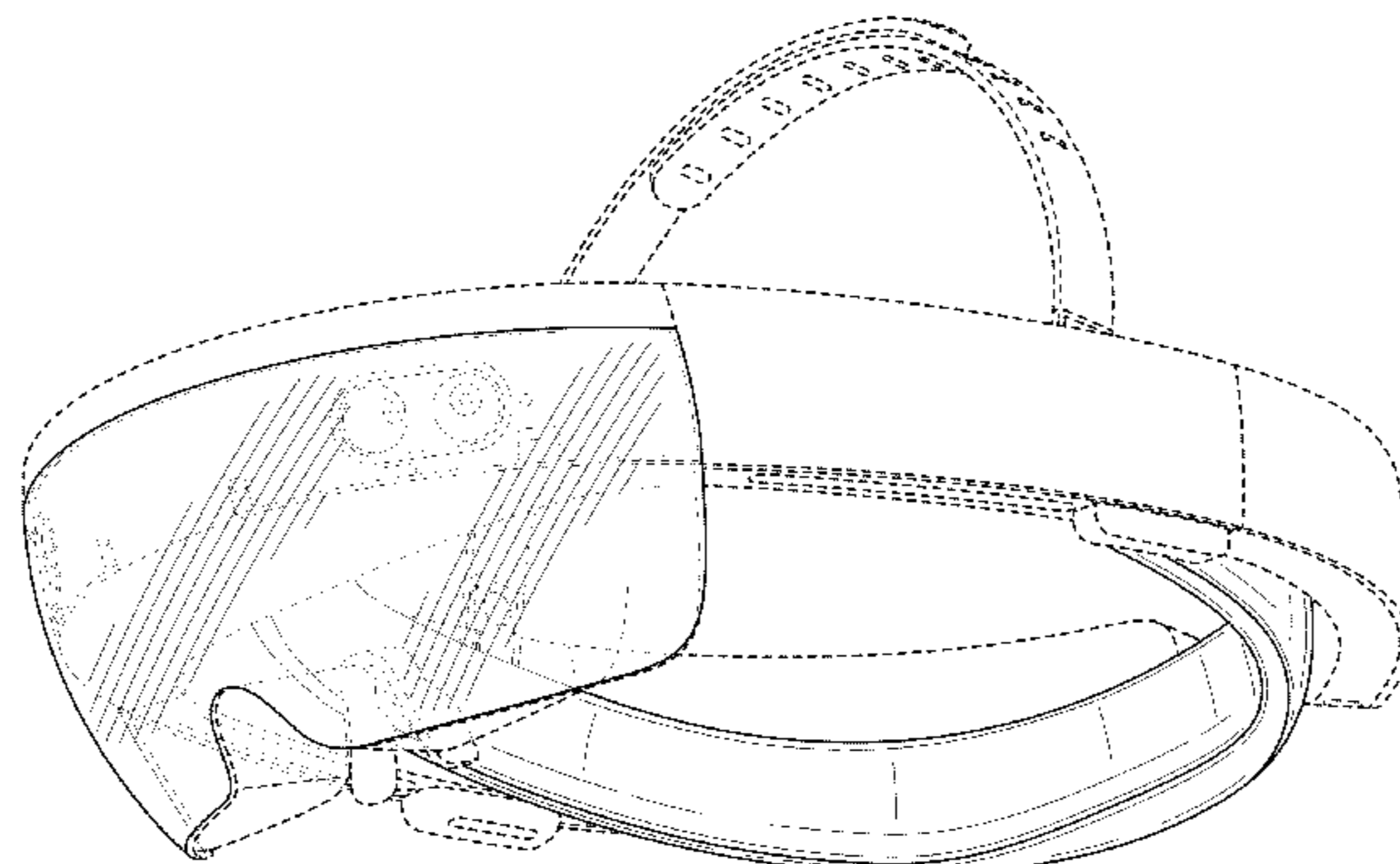
FIG. 14 is a right side view thereof;

FIG. 15 is a top view thereof; and,

FIG. 16 is a bottom view thereof.

The broken line showing of the remainder of the headset with visor is for environmental purposes only and forms no part of the claimed design. The figures feature transparent visor portions through which other features are visible. FIGS. 9-16 show the headset with visor of FIGS. 1-8 with selected disclaimed features removed for clarity.

1 Claim, 16 Drawing Sheets



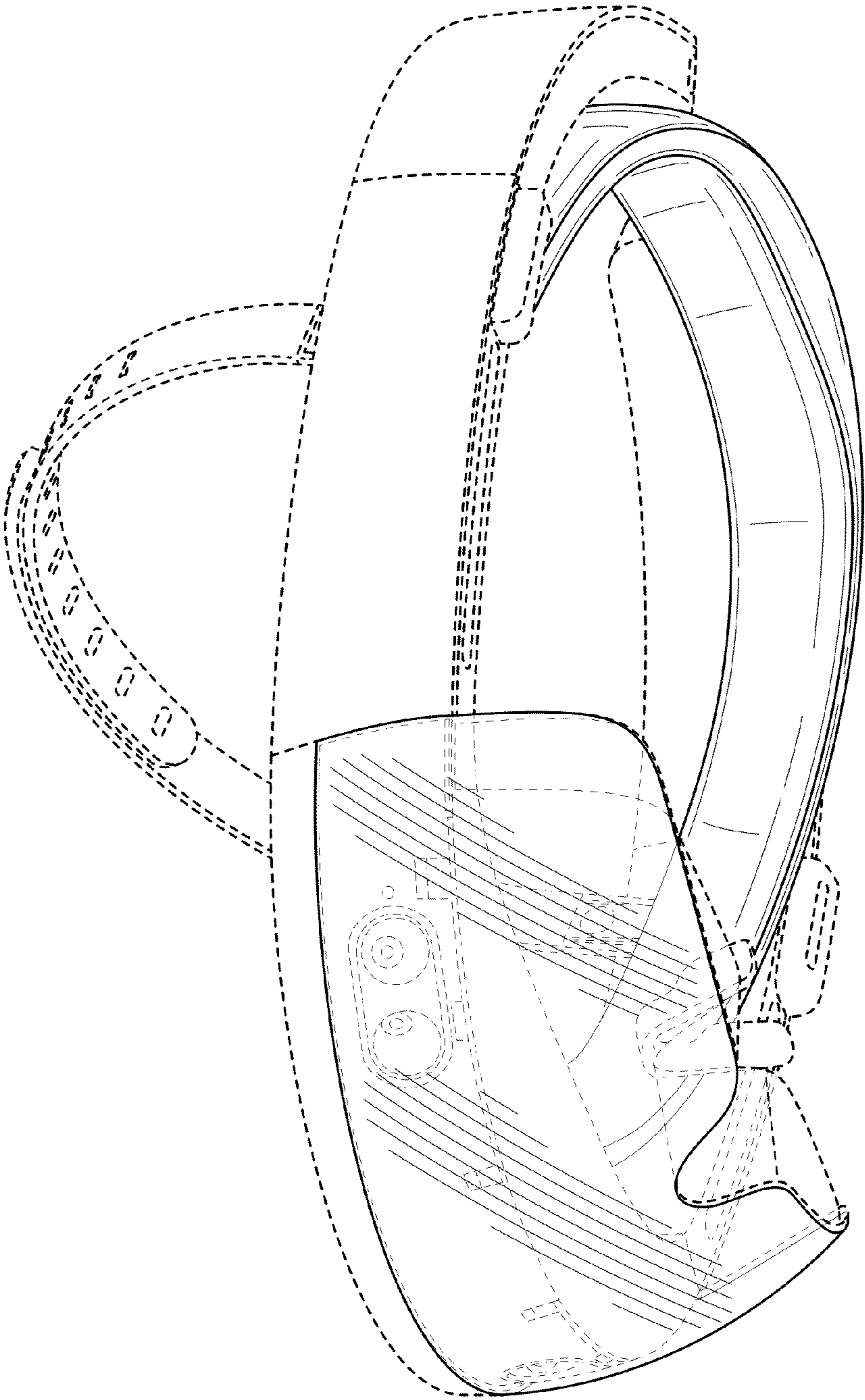


FIG. 1

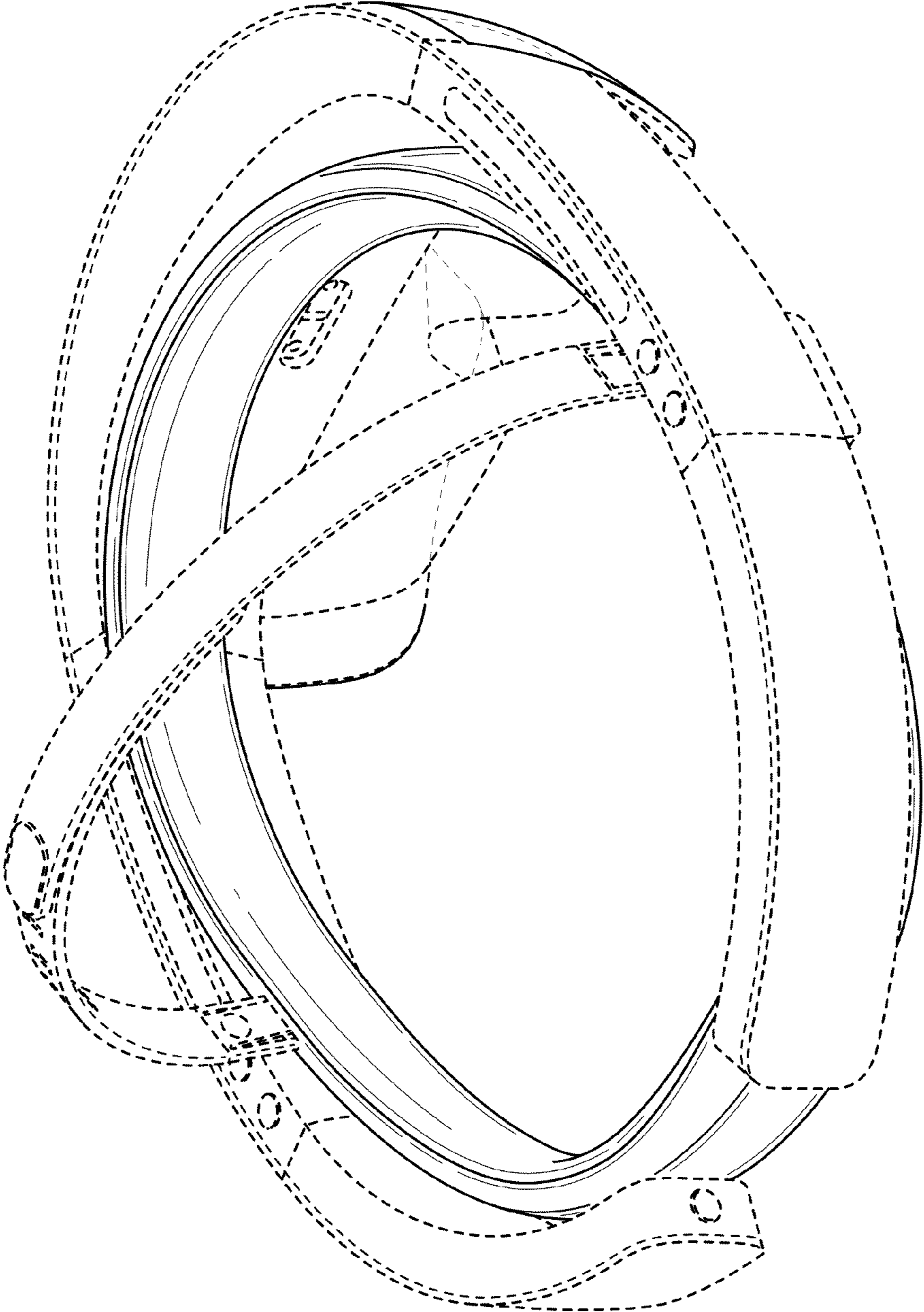


FIG. 2

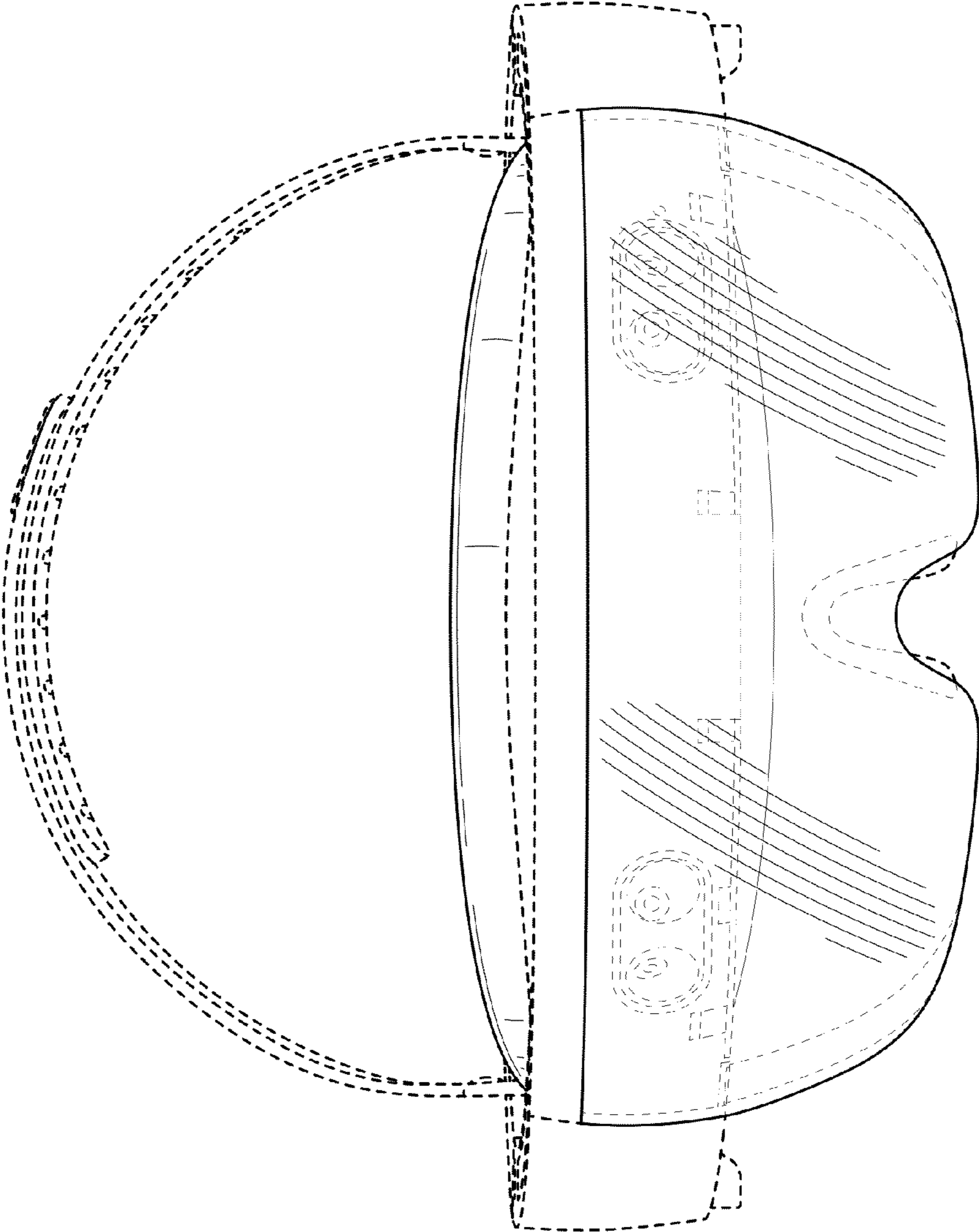


FIG. 3

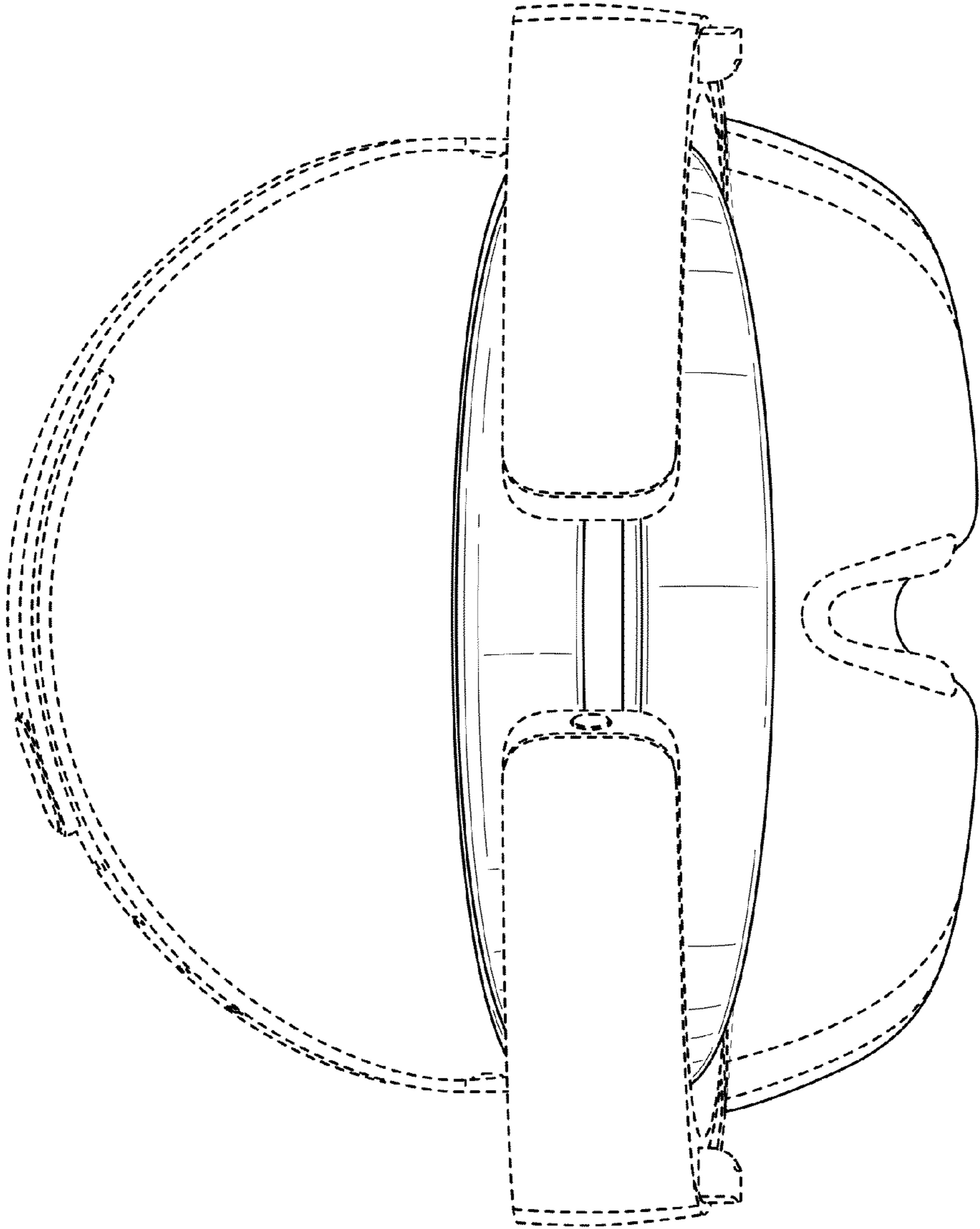


FIG. 4

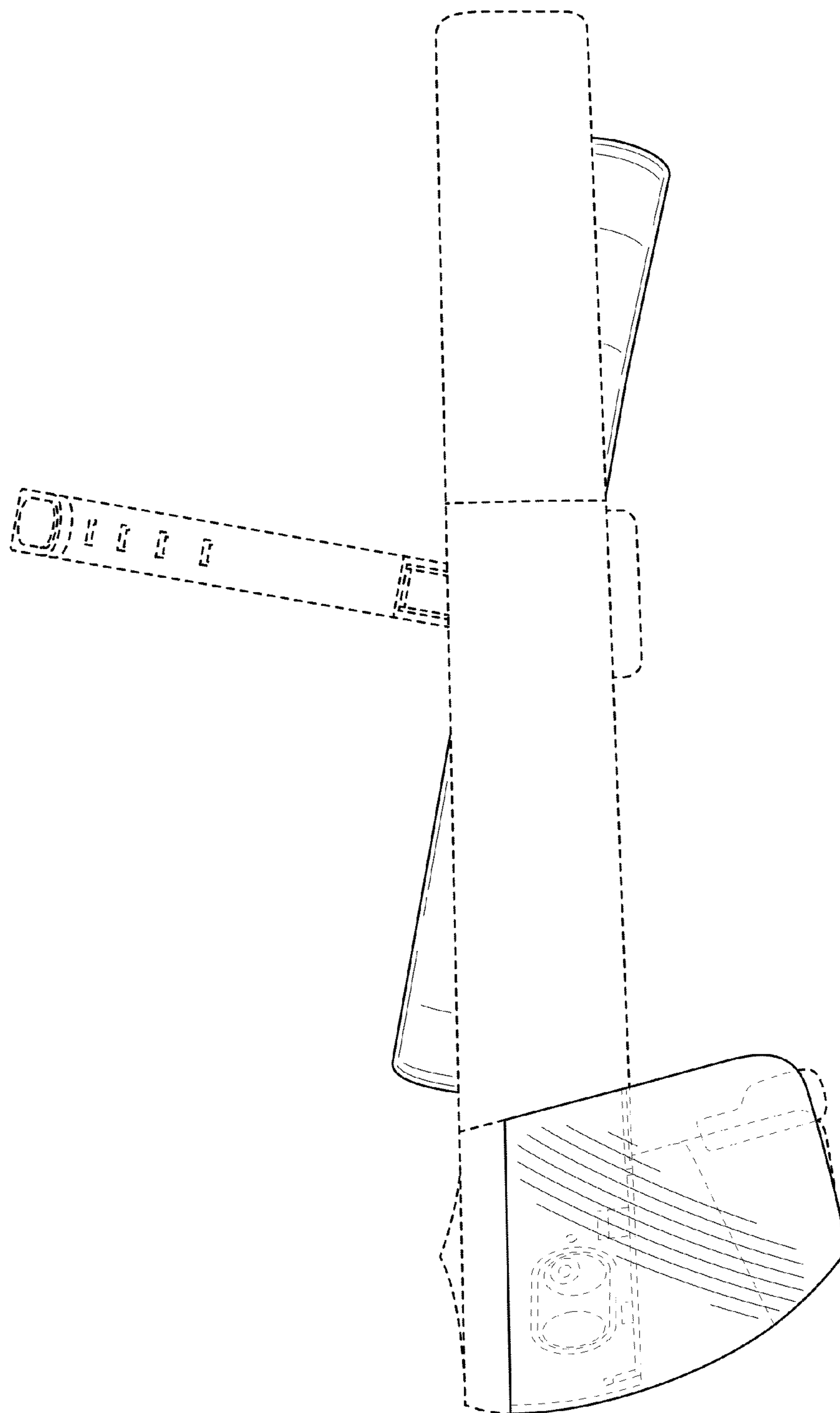


FIG. 5

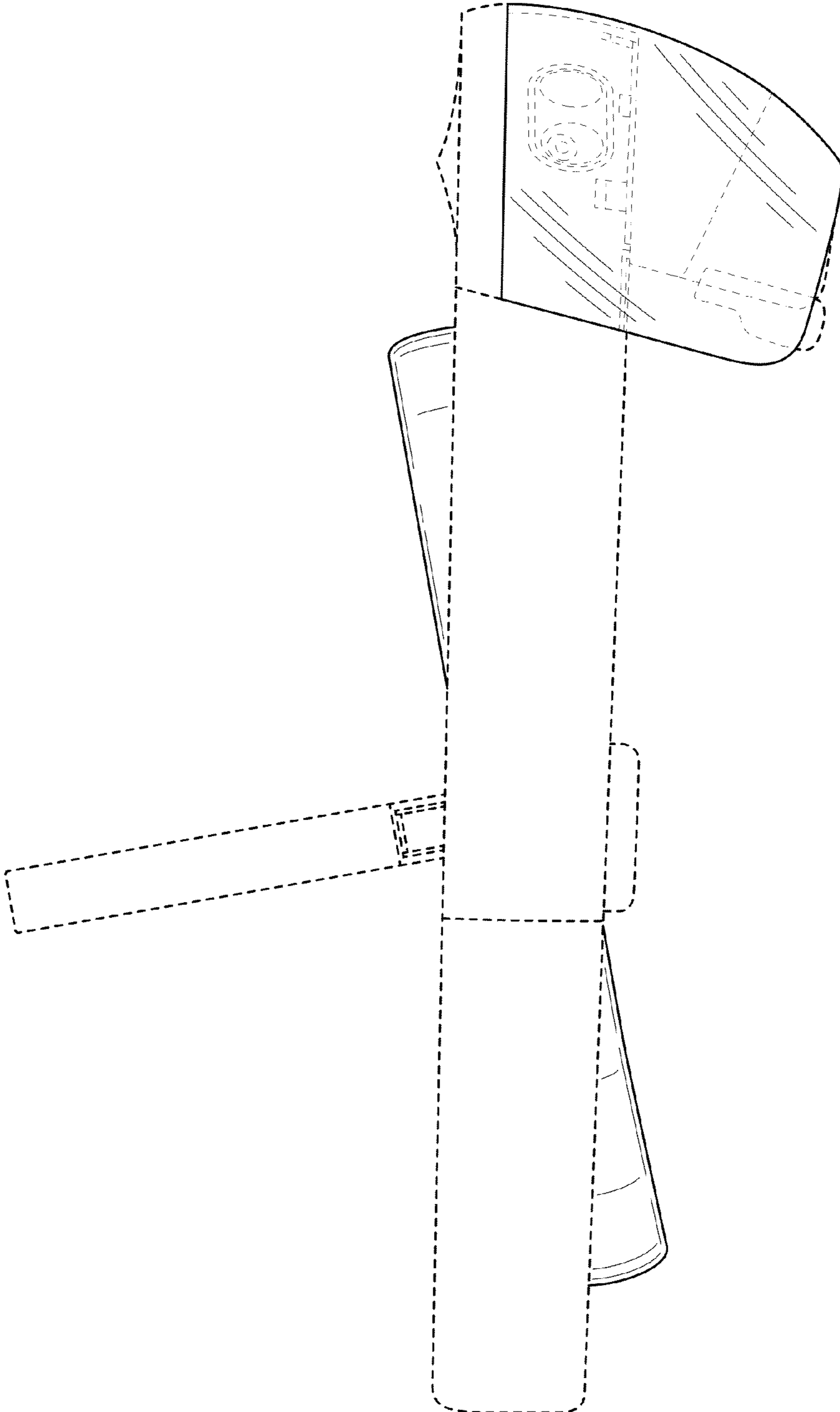


FIG. 6

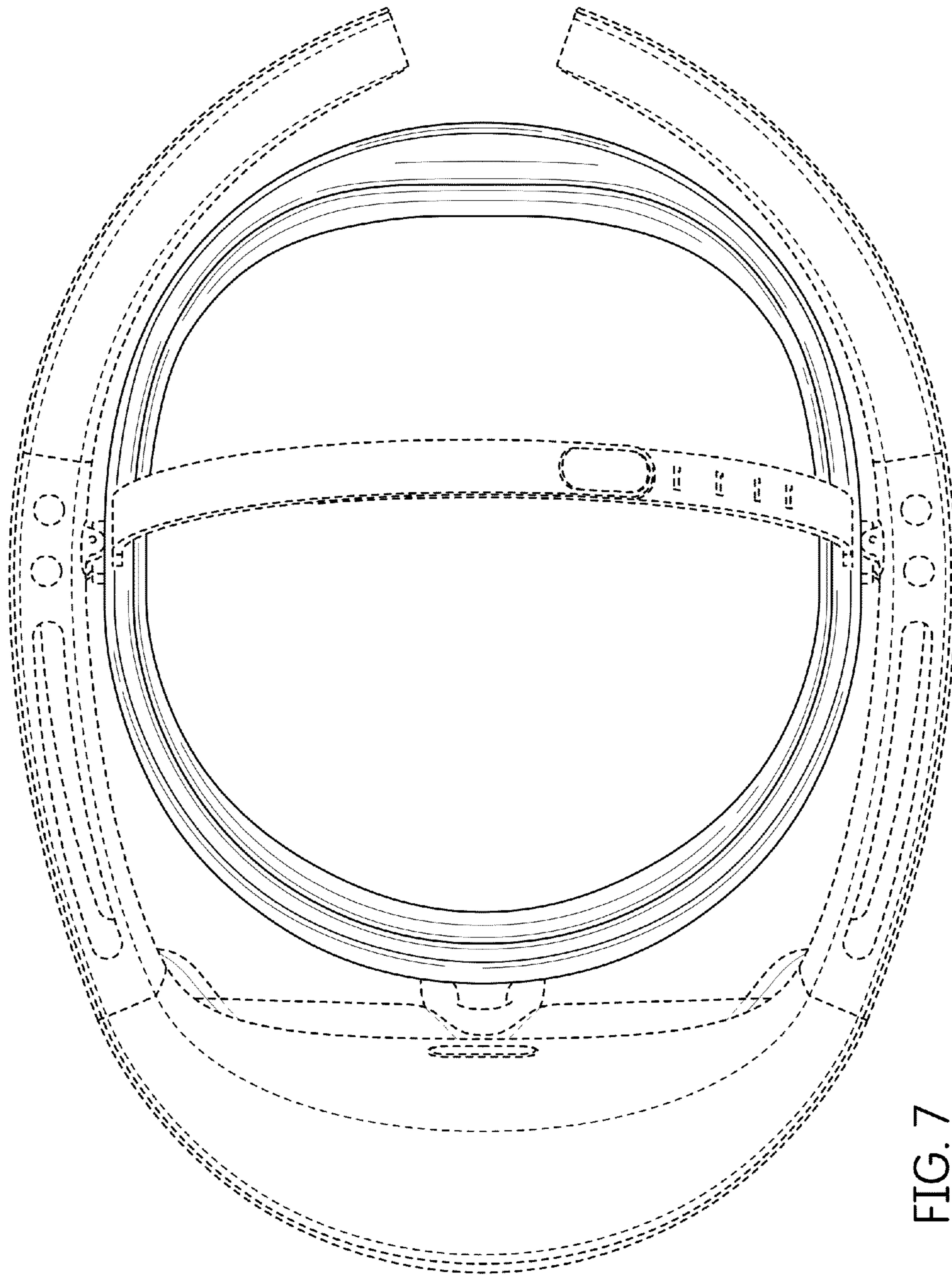


FIG. 7

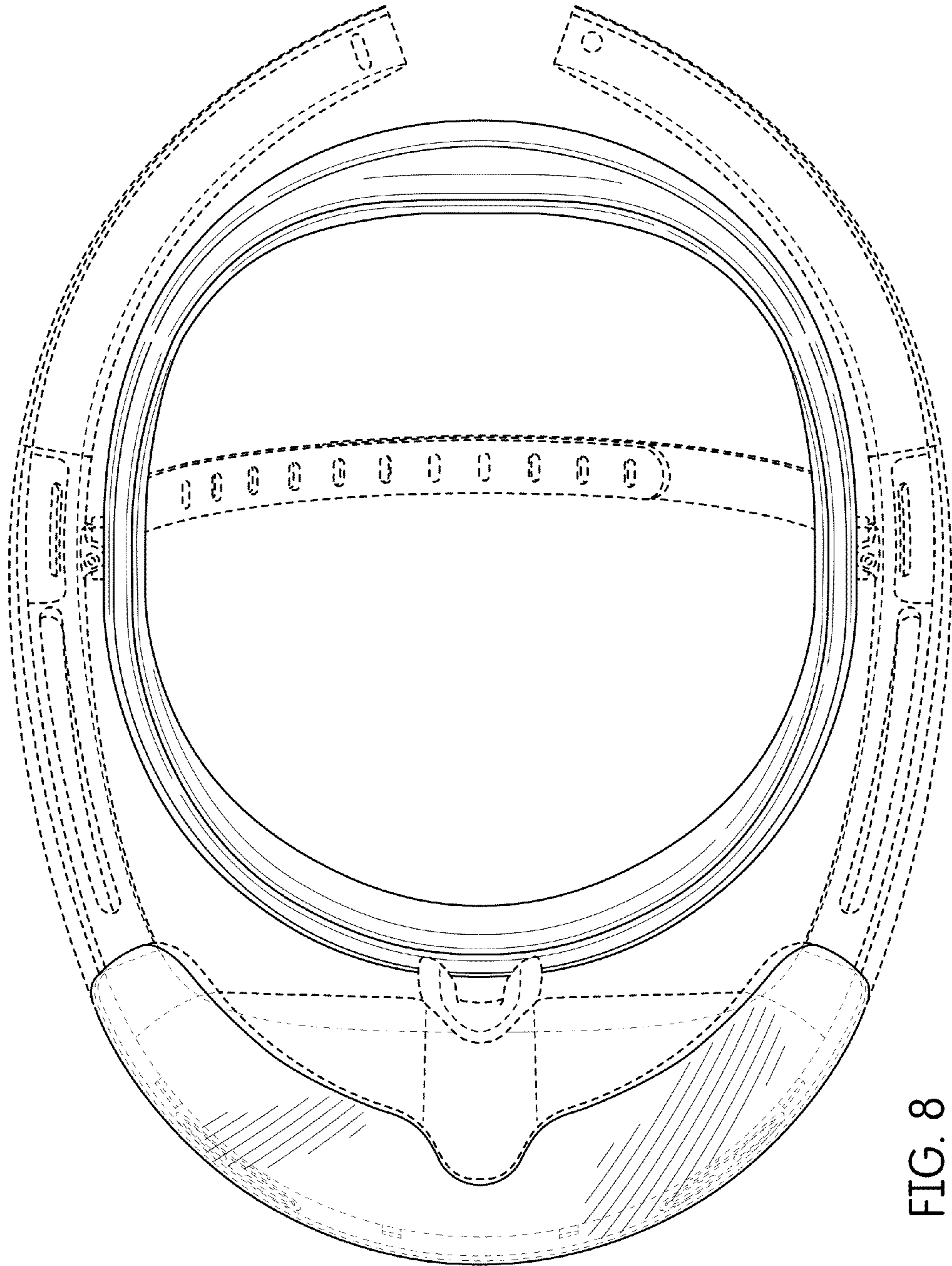


FIG. 8

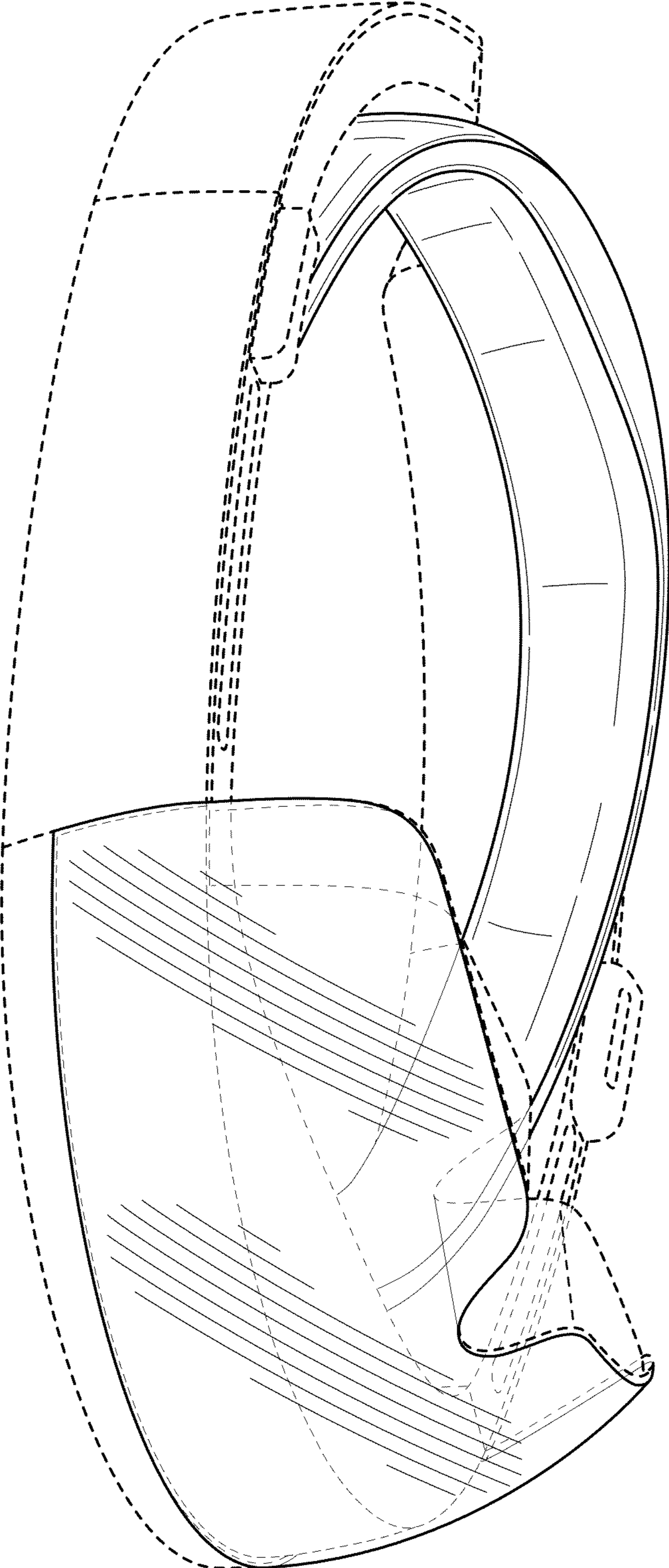


FIG. 9

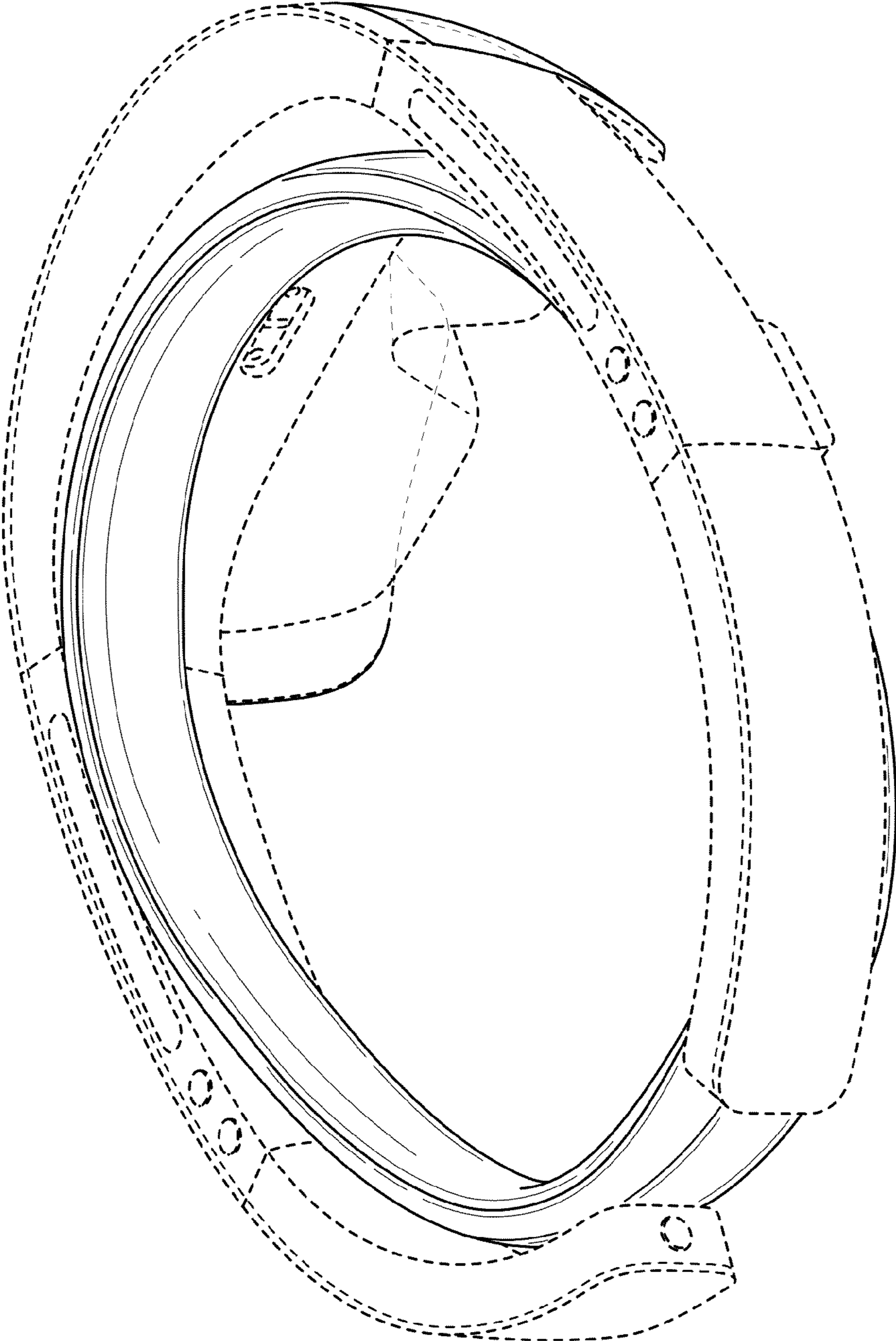


FIG. 10

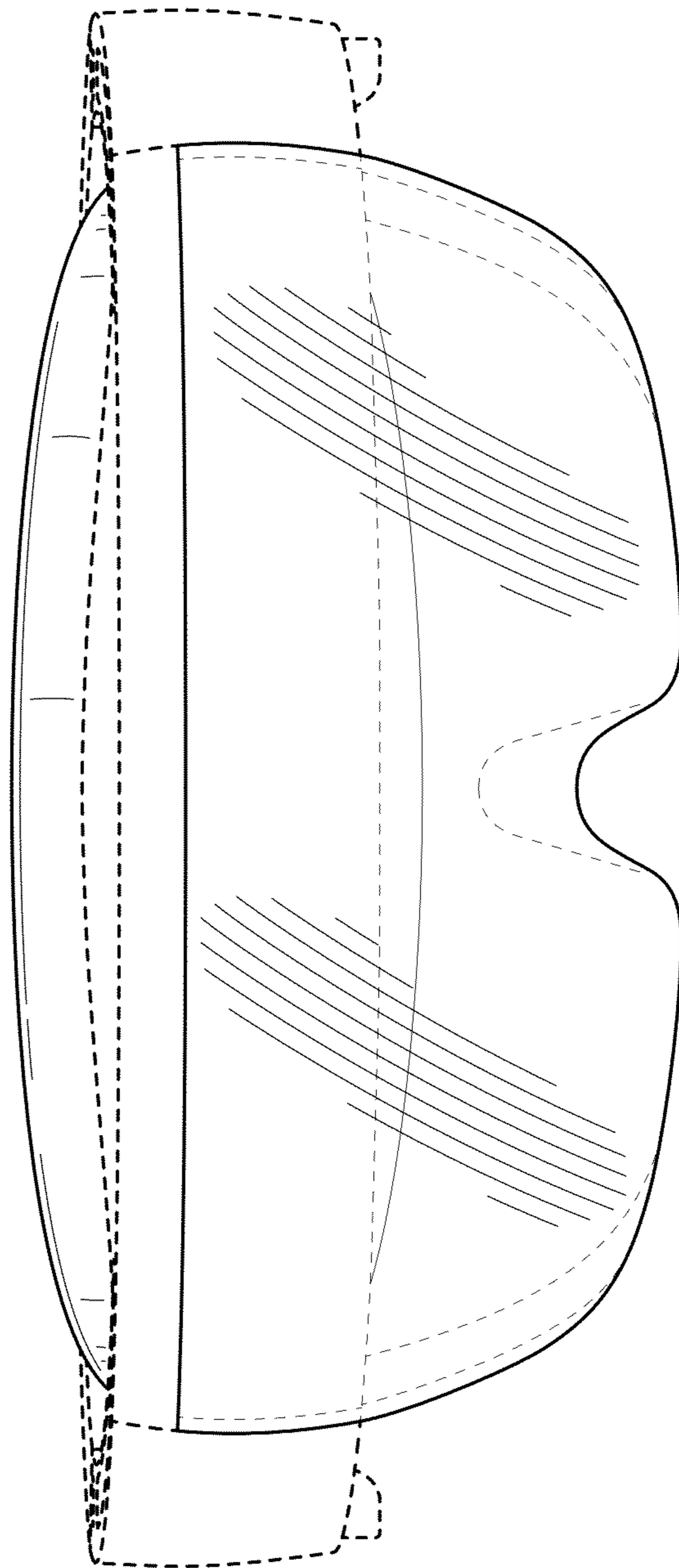


FIG. 11

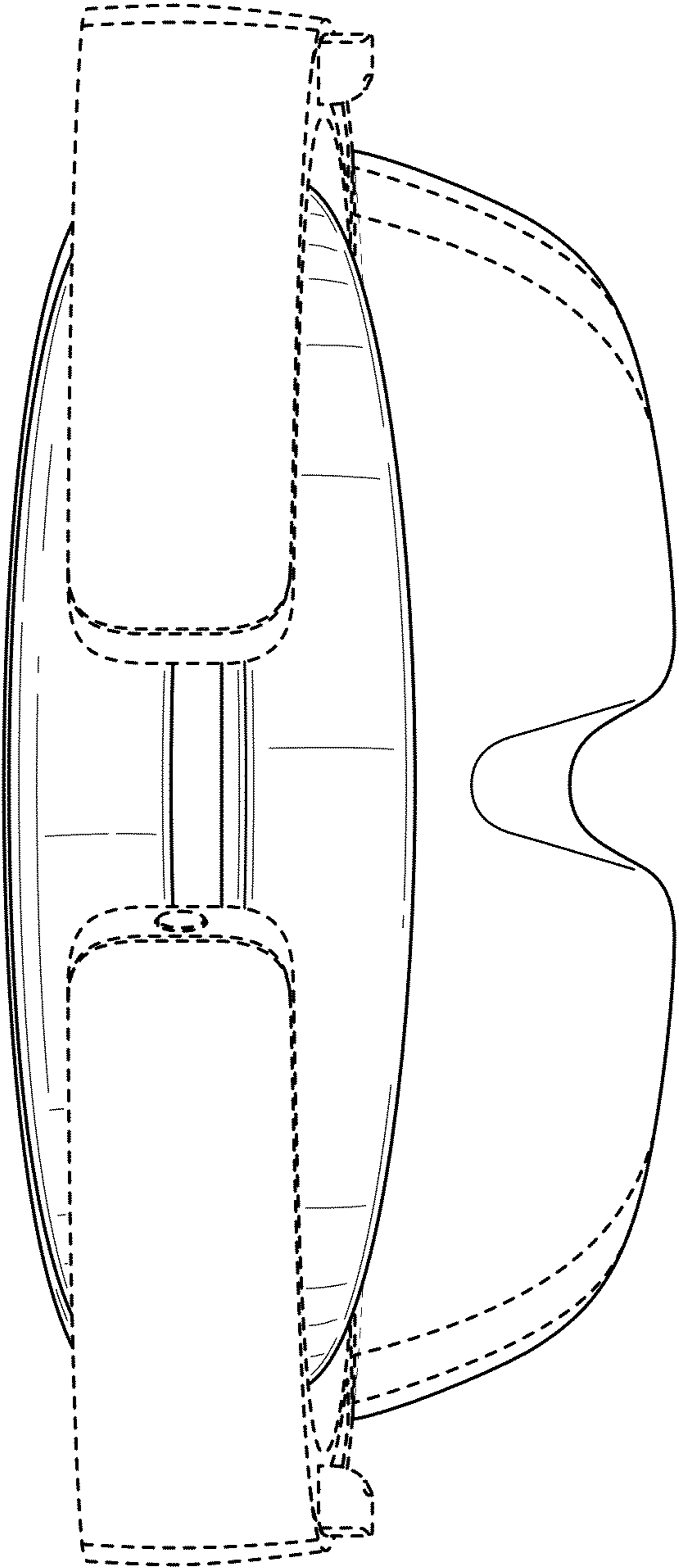


FIG. 12

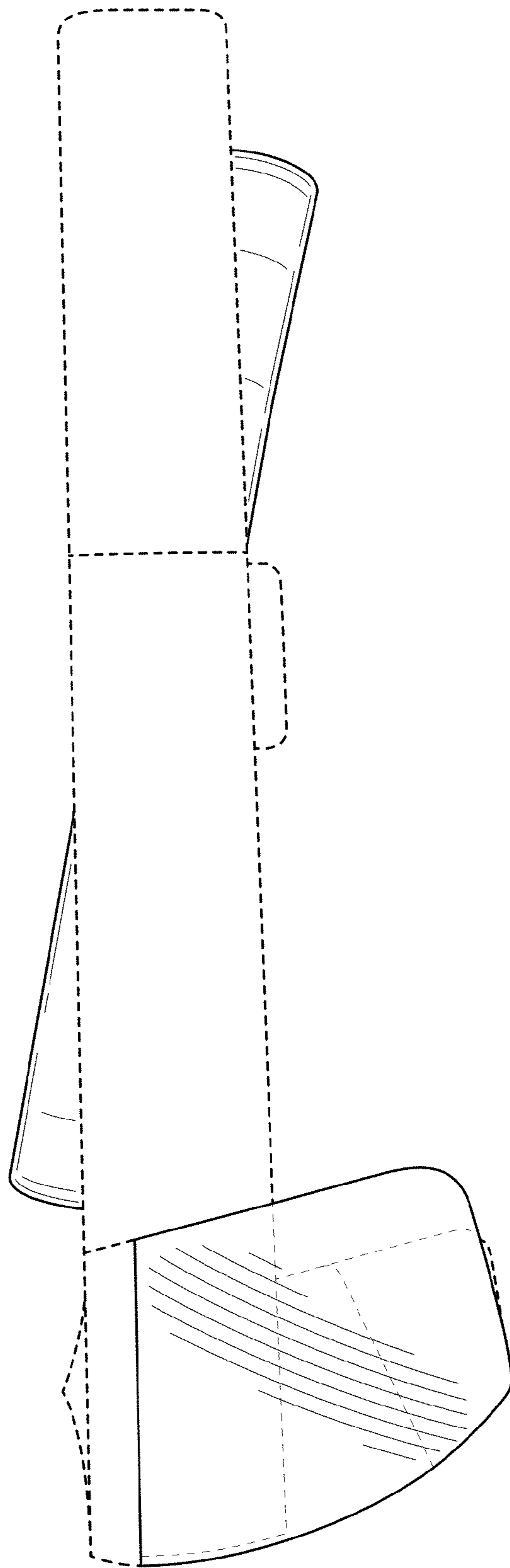


FIG. 13

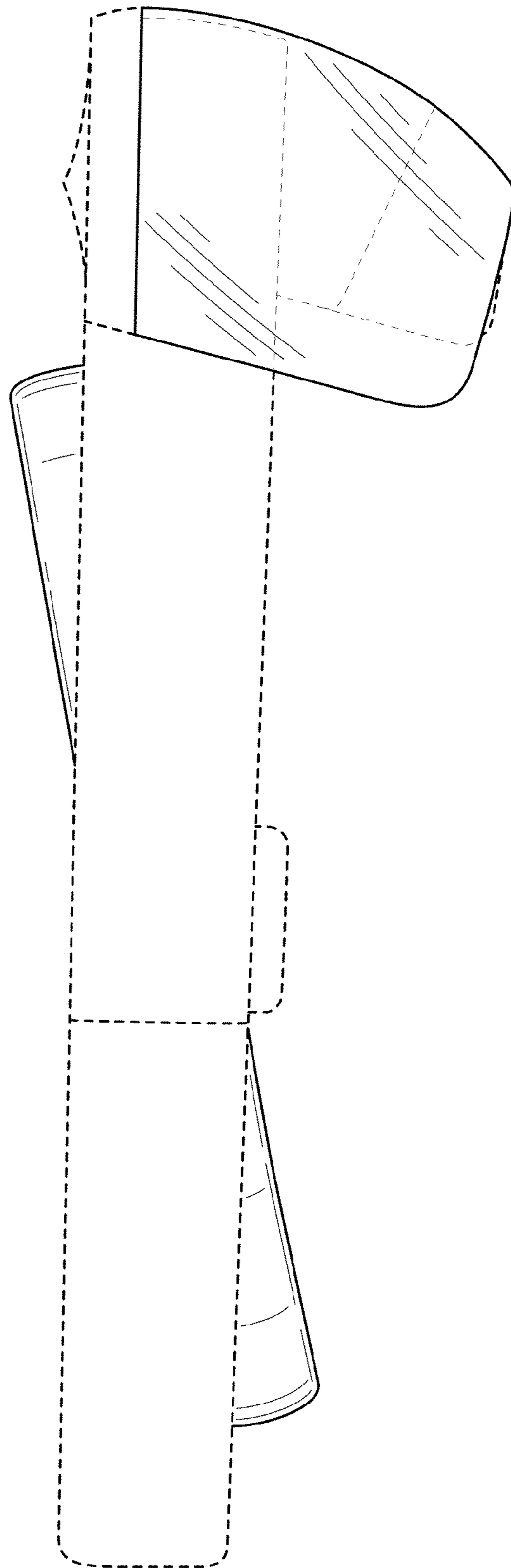


FIG. 14

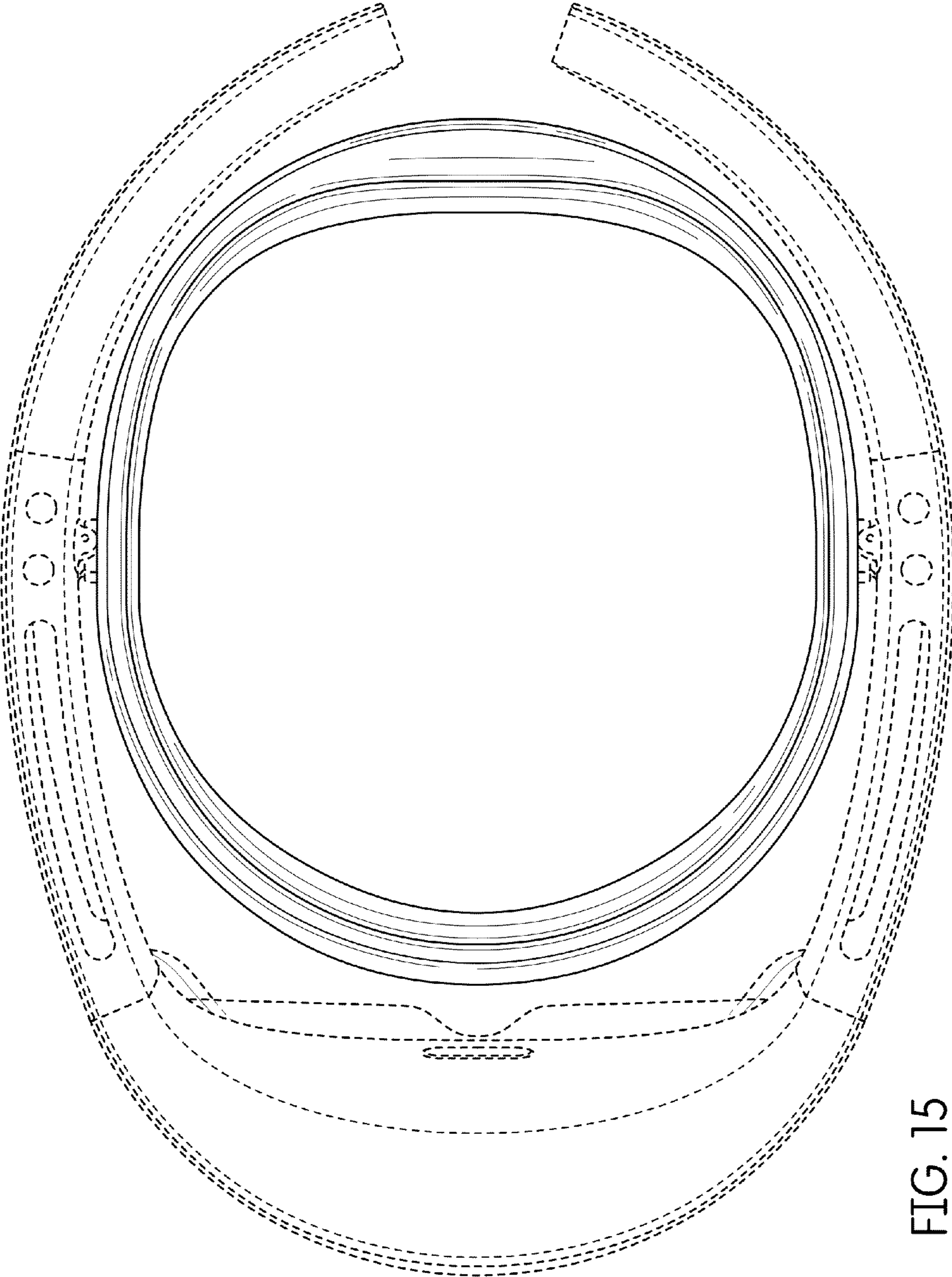


FIG. 15

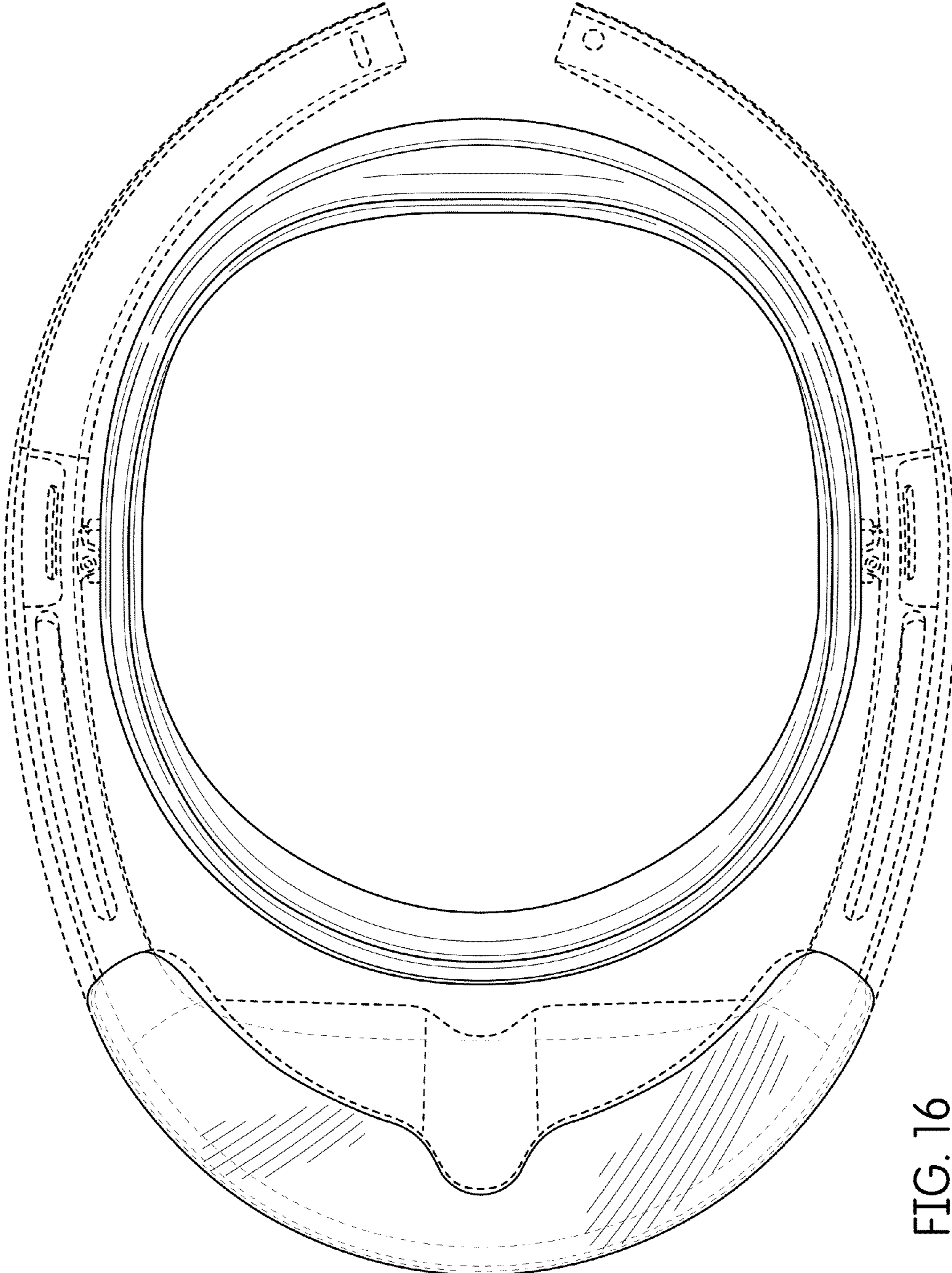


FIG. 16