



US00D739853S

(12) **United States Design Patent**
Lee

(10) **Patent No.:** **US D739,853 S**

(45) **Date of Patent:** **** Sep. 29, 2015**

(54) **MOBILE PHONE HOLDER**

(71) Applicant: **Shinhyeong INT Co., Ltd.**, Bucheon-si (KR)

(72) Inventor: **Dong Yeob Lee**, Bucheon-si (KR)

(73) Assignee: **SHINHYEONG INT CO., LTD.** (KR)

(**) Term: **14 Years**

(21) Appl. No.: **29/495,023**

(22) Filed: **Jun. 26, 2014**

(51) **LOC (10) Cl.** **14-03**

(52) **U.S. Cl.**
USPC **D14/253**

(58) **Field of Classification Search**
USPC D14/251–253, 432, 434, 447, 451, 452,
D14/483, 140, 142, 149, 217, 229, 240,
D14/299; D21/313; D13/107, 108; D10/23;
D8/71, 72, 74, 349, 373, 396; D6/302,
D6/303, 306, 310, 312; 455/575.1;
D19/88; D16/242, 245; D3/218;
D12/415; D22/110

CPC H04M 1/00; H04M 1/04; H04M 1/06;
H04M 1/11; H04B 1/3877; F16M 11/04;
F16M 11/041; B60R 11/02; B60R 11/0241;
B60R 11/0258; B60R 11/0252

See application file for complete search history.

(56) **References Cited**

U.S. PATENT DOCUMENTS

3,521,332	A *	7/1970	Kramer	403/188
3,596,964	A *	8/1971	Zazzara	294/5
D248,309	S *	6/1978	Weast	D22/110
D253,457	S *	11/1979	Sandel	D8/395
D267,231	S *	12/1982	Guem, Jr.	D8/395
4,407,472	A *	10/1983	Beck	248/89
4,707,892	A *	11/1987	Nelson	24/336
D295,725	S *	5/1988	Shioda	D8/396

D363,017	S *	10/1995	Noble	D8/395
D363,211	S *	10/1995	Noble	D8/395
D394,096	S *	5/1998	Edgar	D22/110
D417,141	S *	11/1999	Senninger	D8/395
D440,005	S *	4/2001	Blanton	D26/138
D645,819	S *	9/2011	Lin	D13/118
D660,690	S *	5/2012	Mixides	D8/396
D663,735	S *	7/2012	Musselman	D14/447
D672,004	S *	12/2012	Stracener	D22/108
D690,707	S *	10/2013	Minn et al.	D14/447
D707,672	S *	6/2014	Lai	D14/253
D732,009	S *	6/2015	Bak	D14/229
2012/0223196	A1 *	9/2012	Musselman	248/220.21

OTHER PUBLICATIONS

Phone Holders. (Design—© Questel). orbit.com [online PDF] 7 pages. Upload as early as May 22, 2014 [retrieved on Aug. 3, 2015]. Retrieved from Internet: <<http://sobjprd.questel.fr/export/QPTUJ214/pdf2/5734b7fa-5b88-4673-a40f-53d93b5adddf-171654.pdf>>.*

(Continued)

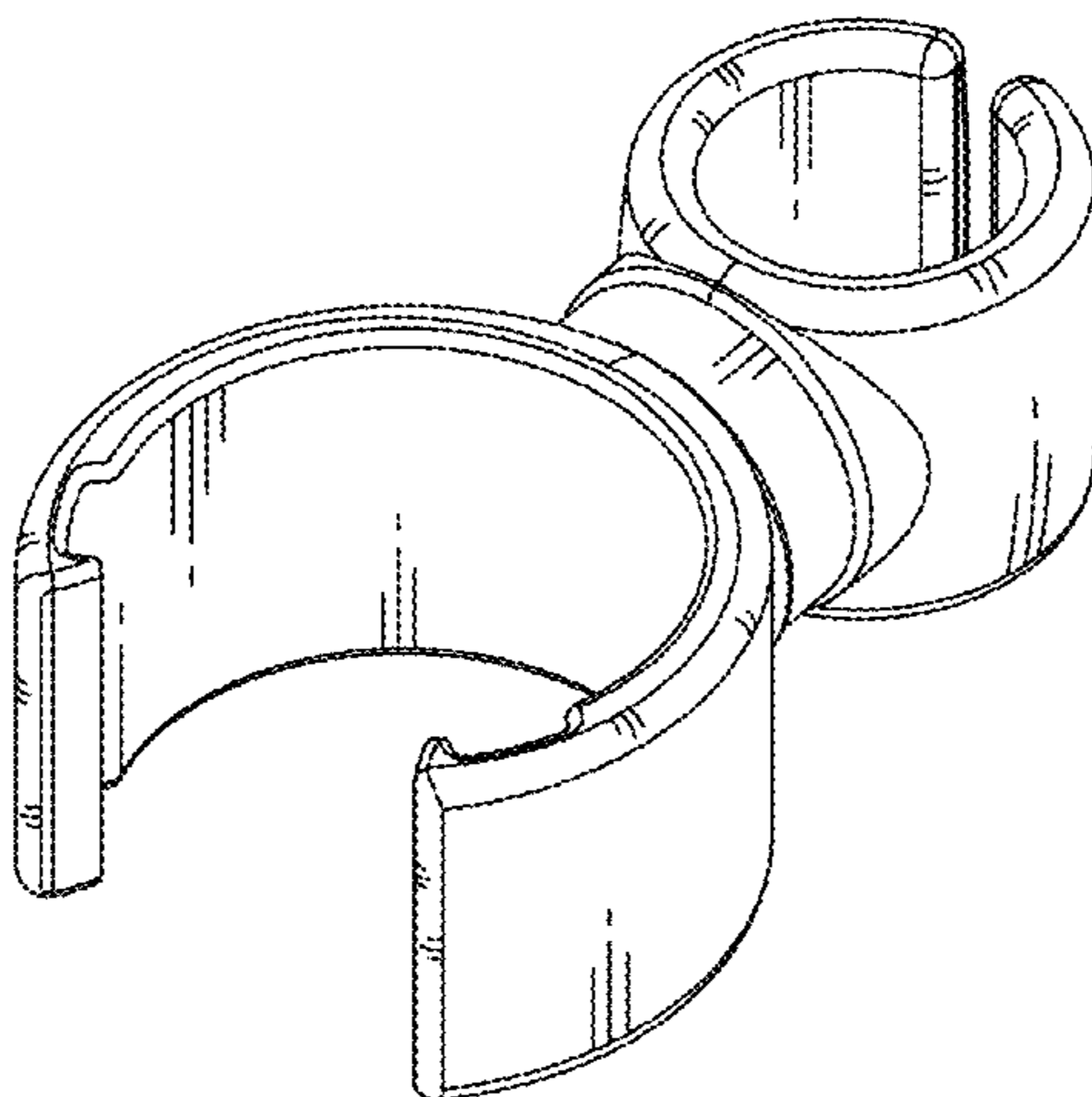
Primary Examiner — Susan Bennett Hattan
Assistant Examiner — Marie Fast Horse
(74) *Attorney, Agent, or Firm* — Cantor Colburn LLP

(57) **CLAIM**
The ornamental design for a mobile phone holder, as shown and described.

DESCRIPTION

FIG. 1 is a perspective view of a mobile phone holder showing my new design;
FIG. 2 is a front elevational view thereof;
FIG. 3 is a rear elevational view thereof;
FIG. 4 is a left side elevational view thereof;
FIG. 5 is a right side elevational view thereof;
FIG. 6 is a top plan view thereof; and,
FIG. 7 is a bottom plan view thereof.

1 Claim, 5 Drawing Sheets



(56)

References Cited

OTHER PUBLICATIONS

C-Lock Bike TLH-C4000. sh7261.gobizkorea.com. [online] 1 page.
Upload as early as Apr. 4, 2014 [retrieved on Aug. 3, 2015]. Retrieved
from Internet <http://sh7261.gobizkorea.com/catalog/image_

viewer.jsp?path1=/att/cat/sh7261/tp_html/img/sh7261_cat_2014-
03-27_201008_a_big_img.jpg&path2=/att/cat/sh7261/tp_html/
img/sh7261_cat_2014-04-04_130012_a_de...>.*

* cited by examiner

FIG. 1

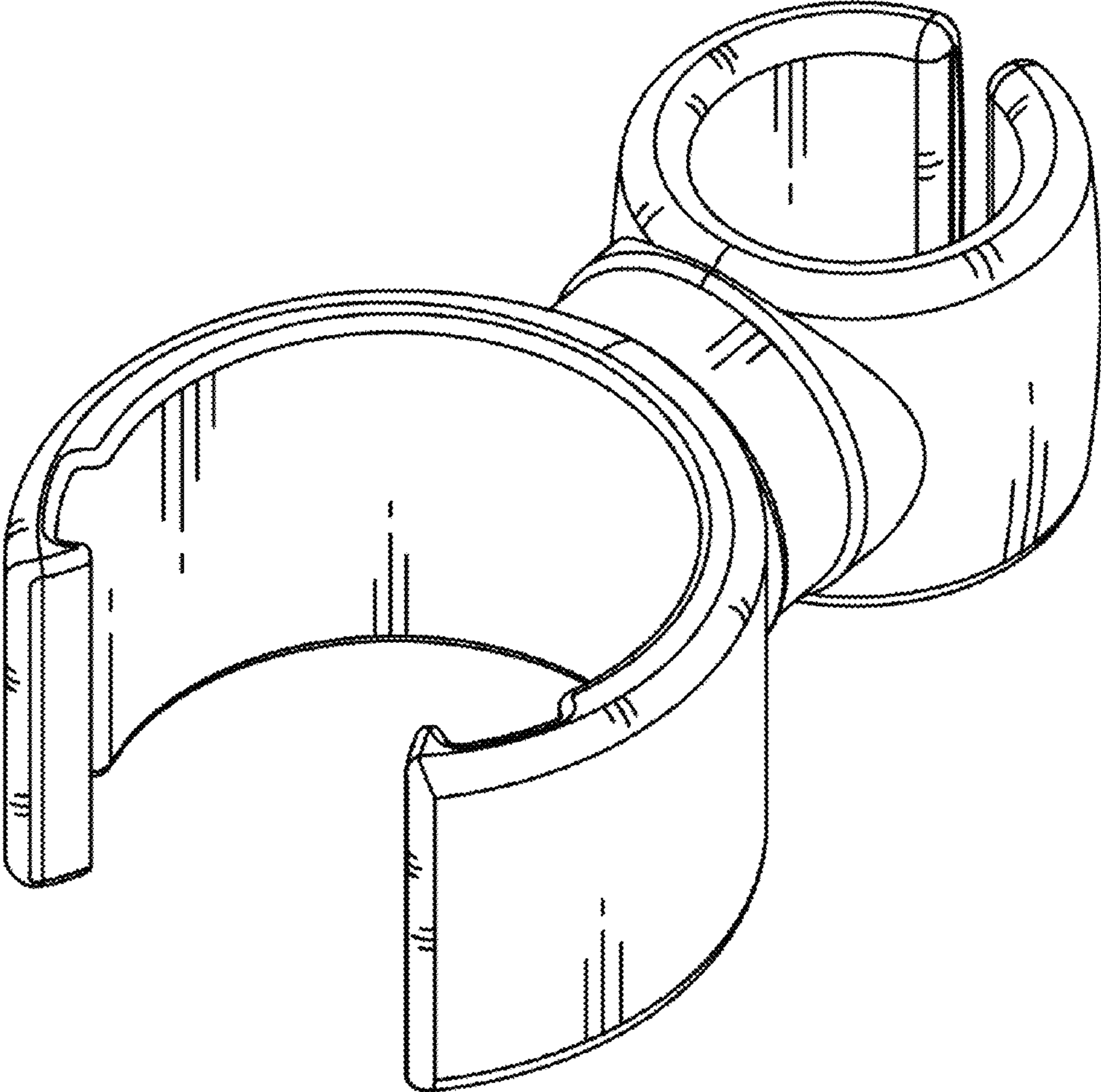


FIG. 2

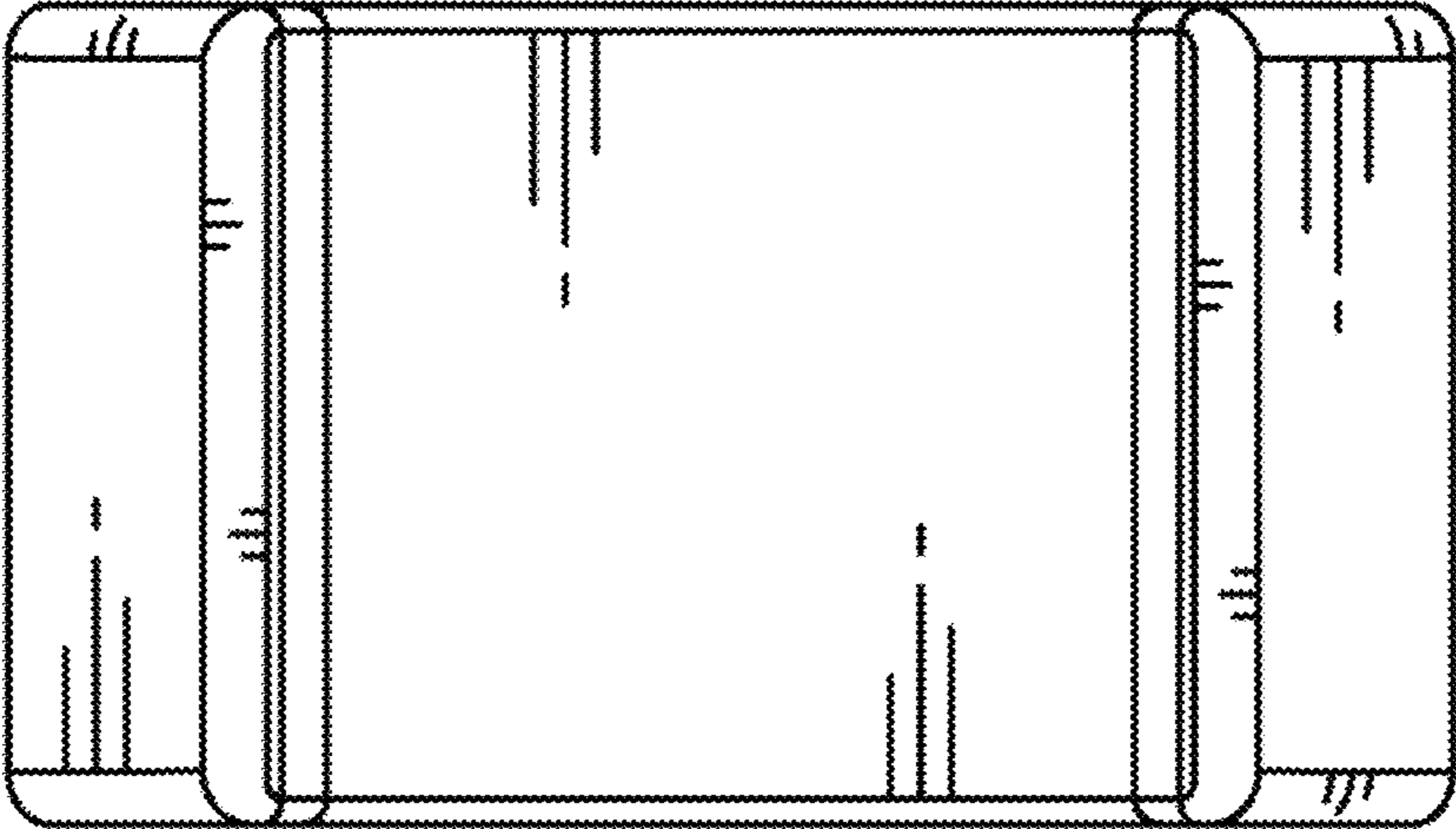


FIG. 3

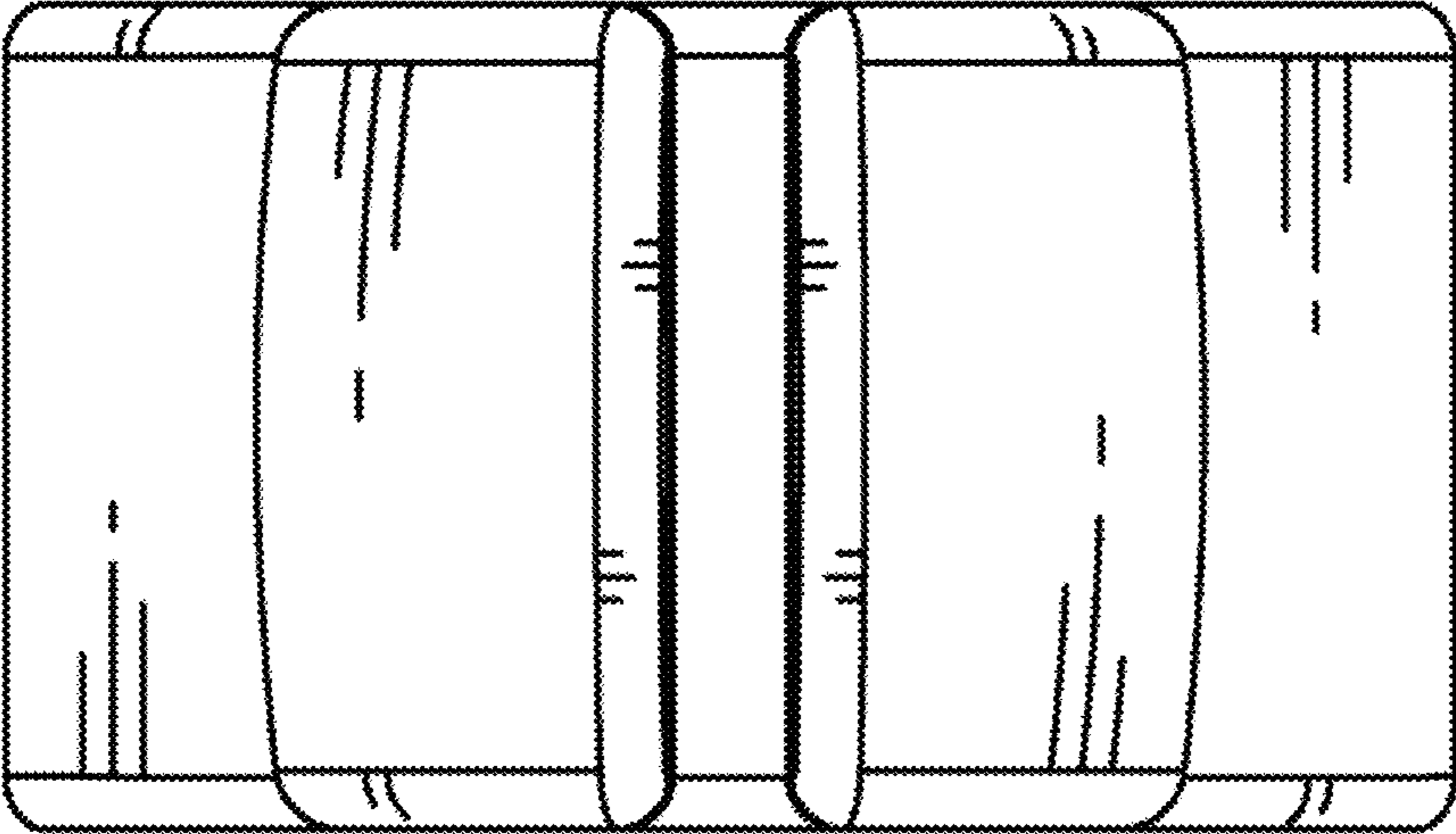


FIG. 4

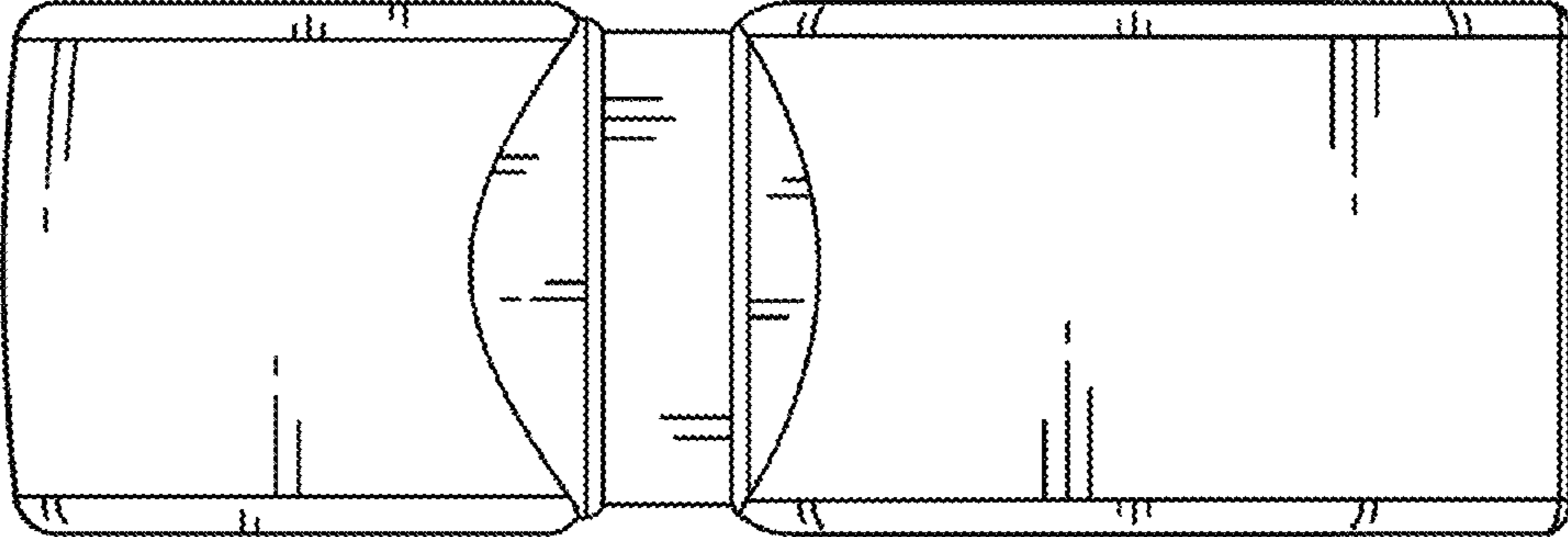


FIG. 5

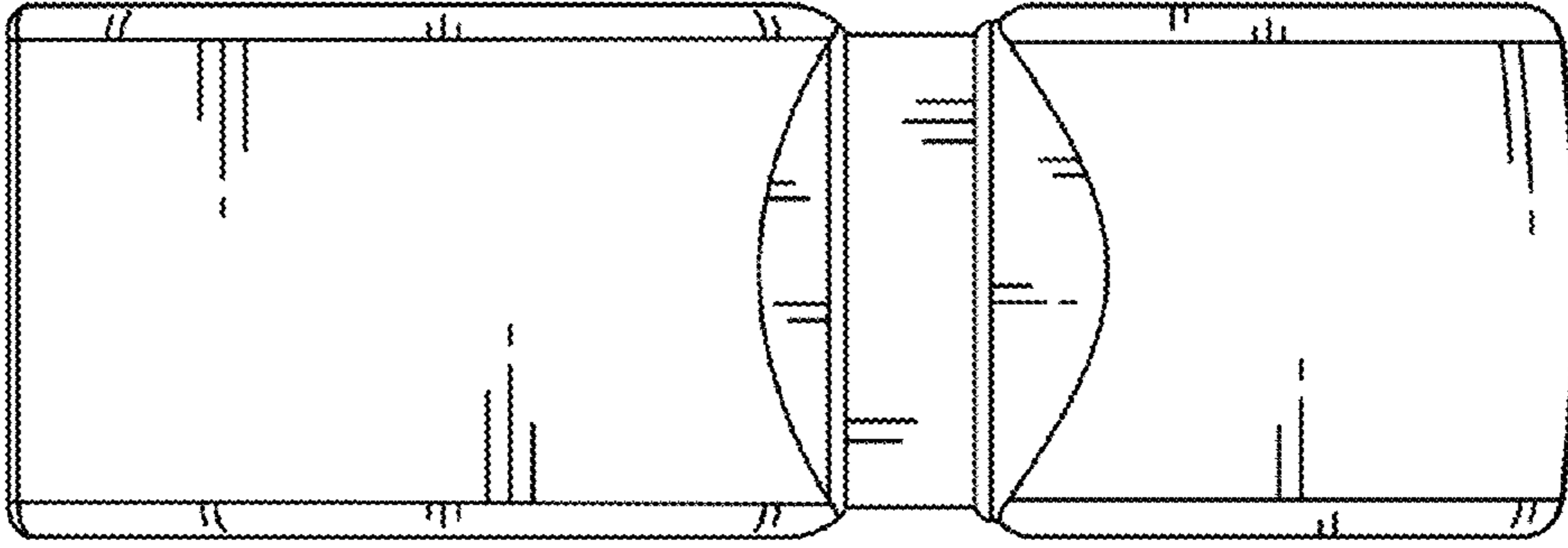


FIG. 6

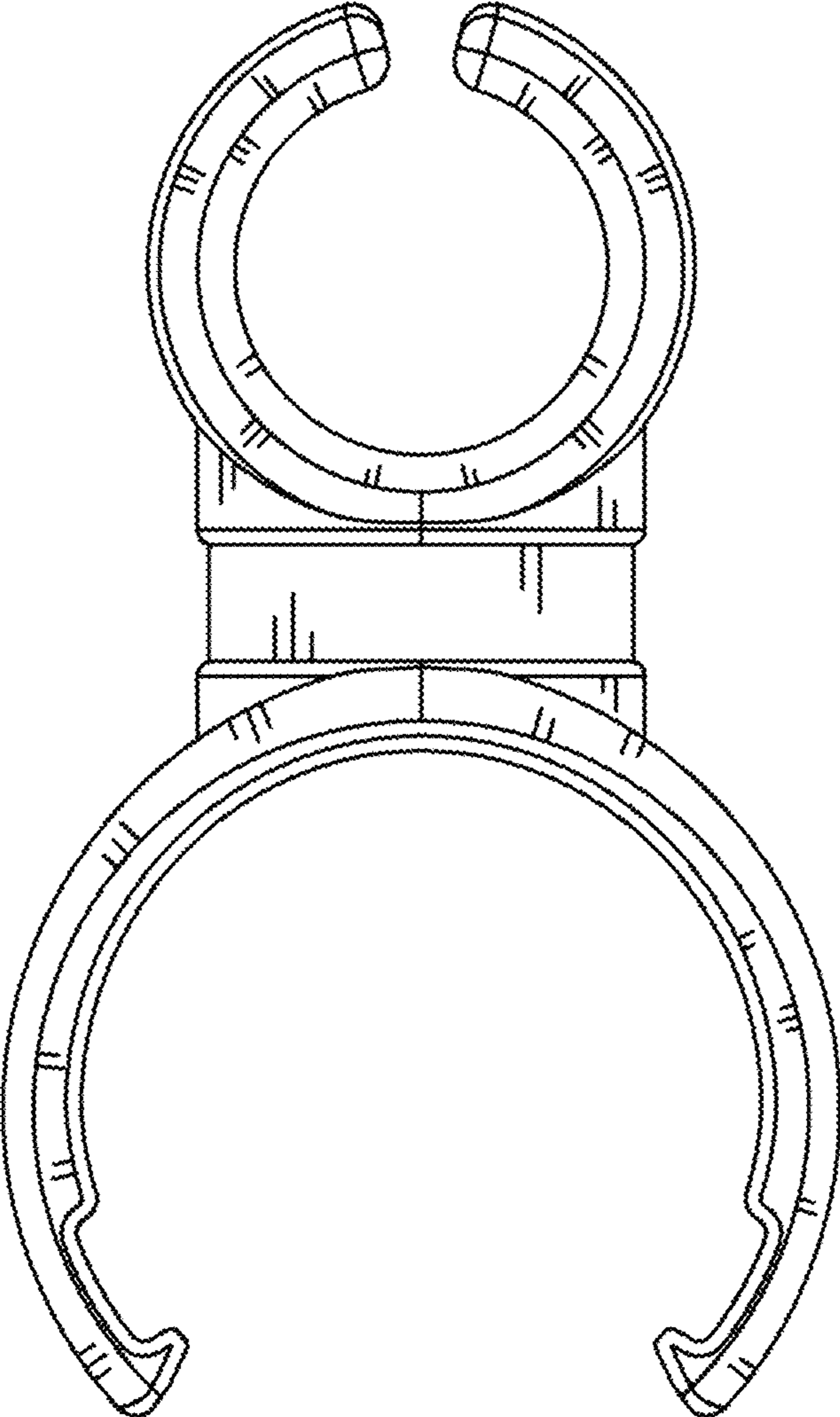


FIG. 7

