



US00D739852S

(12) **United States Design Patent**
Jiang et al.

(10) **Patent No.:** **US D739,852 S**

(45) **Date of Patent:** **** Sep. 29, 2015**

(54) **AUDIO INTERFACE**

(71) Applicant: **Motorola Mobility LLC**, Libertyville, IL (US)

(72) Inventors: **Xinrui Jiang**, Chicago, IL (US);
Christopher B Houghton, Chicago, IL (US); **Dickon Isaacs**, Chicago, IL (US);
Hyun H Lee, Atlanta, GA (US)

(73) Assignee: **Motorola Mobility LLC**, Chicago, IL (US)

(**) Term: **14 Years**

(21) Appl. No.: **29/466,636**

(22) Filed: **Sep. 10, 2013**

(51) **LOC (10) Cl.** **14-03**

(52) **U.S. Cl.**
USPC **D14/240**

(58) **Field of Classification Search**
USPC D14/240, 242, 357, 358, 140-140.9,
D14/155, 137, 139, 243, 433, 203.1-203.6,
D14/167; D10/104.1; D13/168
CPC H04L 12/00; H03K 17/00; H04W 88/00;
H04W 88/005; H04W 88/02; H04W 88/08;
H04W 88/085; H04W 88/10; H04W 88/12;
H04W 88/14; H04B 1/38
See application file for complete search history.

(56) **References Cited**

U.S. PATENT DOCUMENTS

D267,810 S *	2/1983	Orsos	D20/43
D298,711 S *	11/1988	Lowance	D6/547
D319,572 S *	9/1991	Robinson	D8/380
D380,696 S *	7/1997	Doppelt et al.	D10/104.1
D460,443 S *	7/2002	Brunner et al.	D14/240
D490,380 S *	5/2004	Coullahan et al.	D13/168
D554,630 S *	11/2007	Ma	D14/240
D554,631 S *	11/2007	Ma	D14/240
D559,234 S *	1/2008	Girard	D14/240
D577,721 S *	9/2008	O'Neil	D14/358

D588,588 S *	3/2009	Dayan	D14/240
D611,032 S *	3/2010	Kim	D14/188
D623,048 S *	9/2010	Moy	D8/395
D630,198 S *	1/2011	Wilkens et al.	D14/240
D632,283 S *	2/2011	Cheng	D14/225
D639,790 S *	6/2011	Kim	D14/242
D656,133 S *	3/2012	Wang et al.	
D659,690 S *	5/2012	Huang	D14/240
D662,921 S *	7/2012	Clements et al.	D14/243
D671,090 S *	11/2012	Birger	D14/149
D672,223 S *	12/2012	Thompson	D8/356
D674,784 S *	1/2013	Choi	D14/240

(Continued)

OTHER PUBLICATIONS

John W. McConnell, et al., "Audio Interface", U.S. Appl. No. 29/417,751, filed Apr. 9, 2012.

(Continued)

Primary Examiner — Bridget L Eland

(74) *Attorney, Agent, or Firm* — Gary J. Cunningham

(57) **CLAIM**

The ornamental design for an audio interface, as shown and described.

DESCRIPTION

FIG. 1 is a front perspective view of an audio interface showing our new design;

FIG. 2 is a rear view thereof;

FIG. 3 is a front view thereof;

FIG. 4 is a first side view thereof;

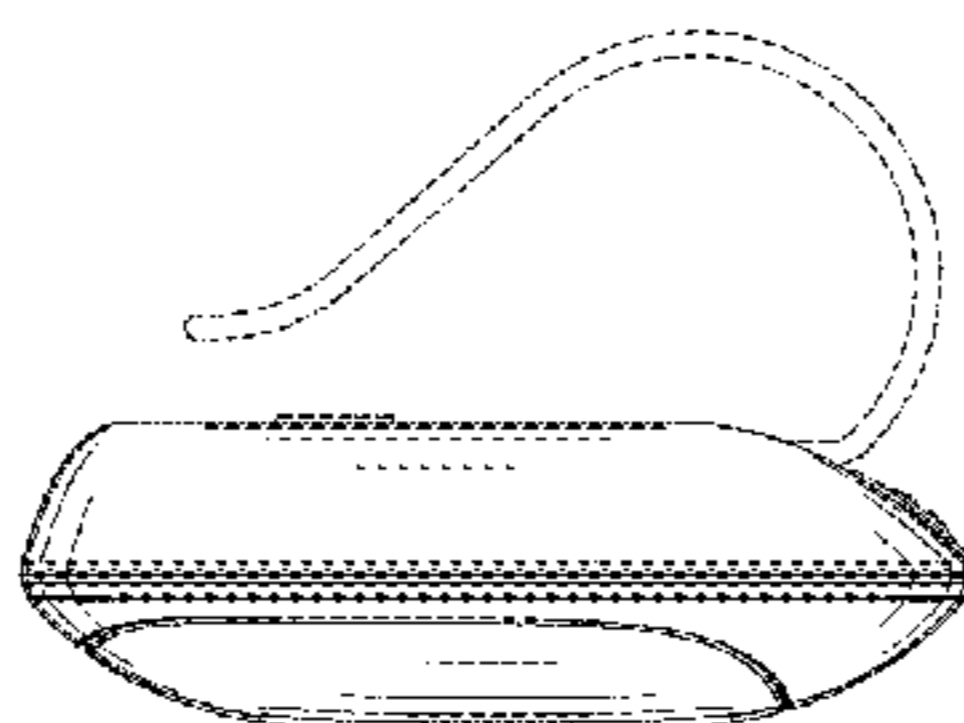
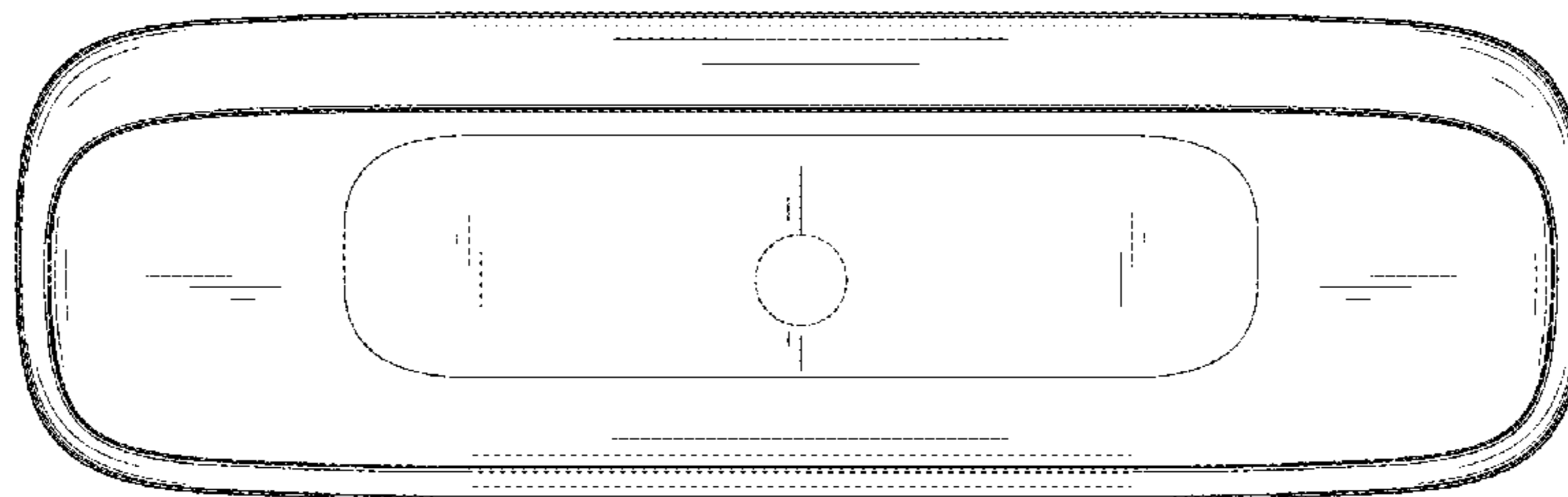
FIG. 5 is a second side view thereof;

FIG. 6 is a top view thereof; and,

FIG. 7 is a bottom view thereof.

The broken lines shown in FIGS. 1-7, that are immediately adjacent to the shaded areas, and define unshaded regions, represent the bounds of the claimed design, while all other broken lines are directed to environment and are for illustrative purposes only; the broken lines form no part of the claimed design.

1 Claim, 4 Drawing Sheets



(56)

References Cited

OTHER PUBLICATIONS

U.S. PATENT DOCUMENTS

D674,786 S * 1/2013 Park D14/240
D675,196 S * 1/2013 Maddern D14/240
D698,754 S * 2/2014 Vuillet et al. D14/218
D709,054 S * 7/2014 McConnell et al. D14/243
2005/0107136 A1 * 5/2005 Lim et al. 455/575.1

Chad E. Davis, et al., "Audio Interface", U.S. Appl. No. 29/462,562,
filed Aug. 6, 2013.

* cited by examiner

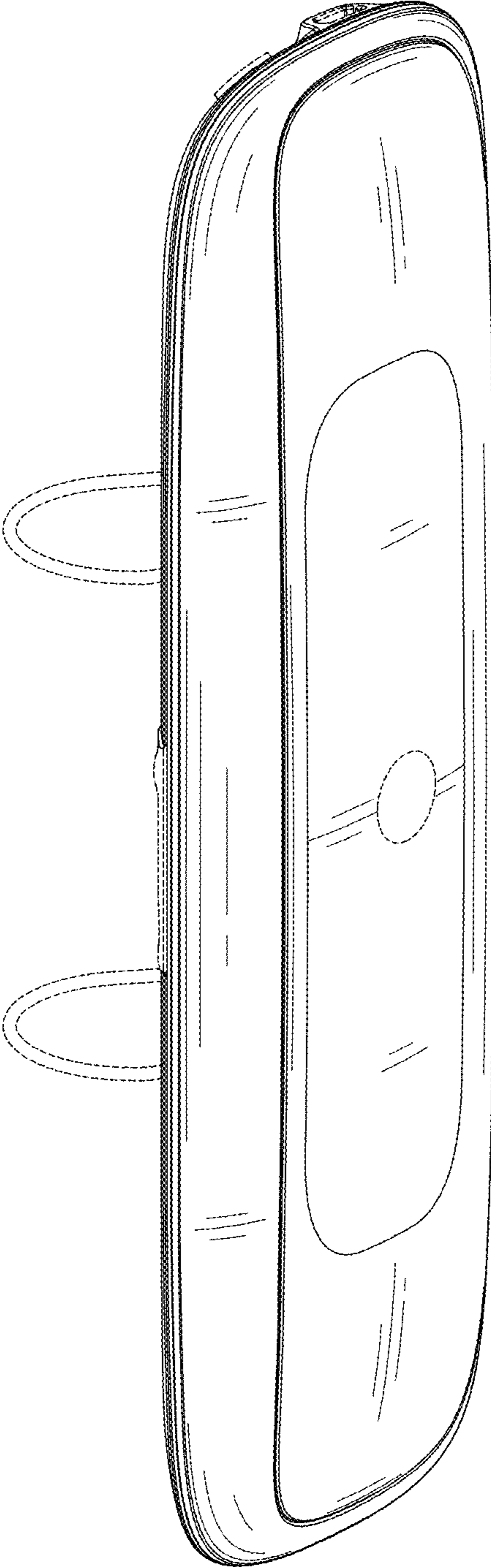


FIG. 1

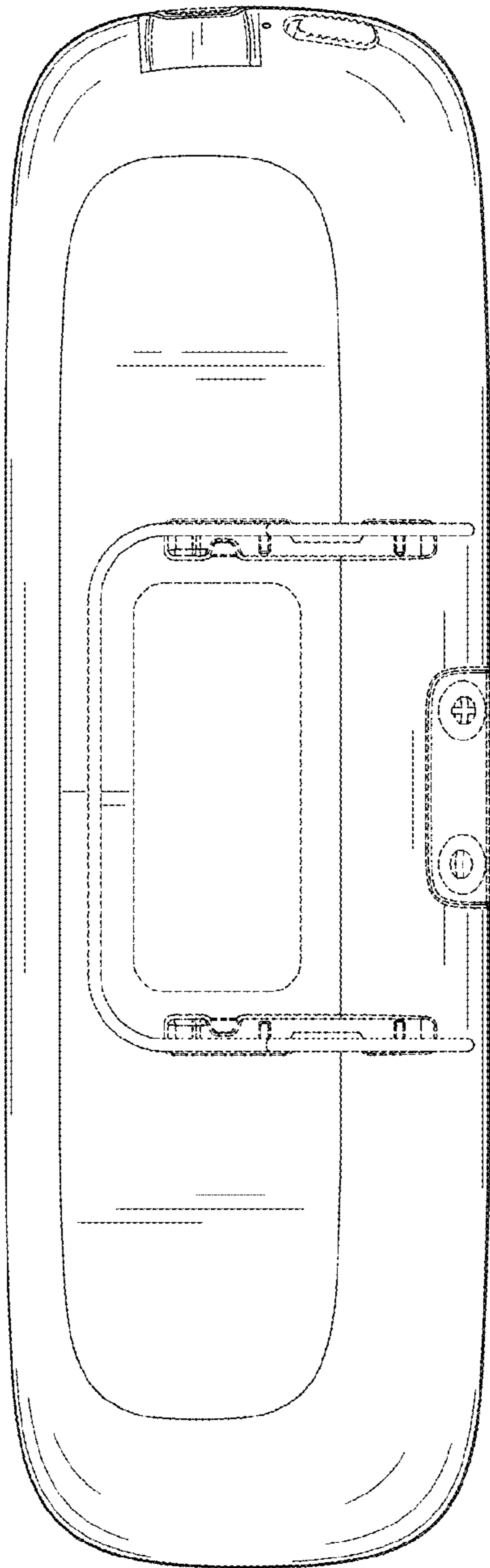


FIG. 2

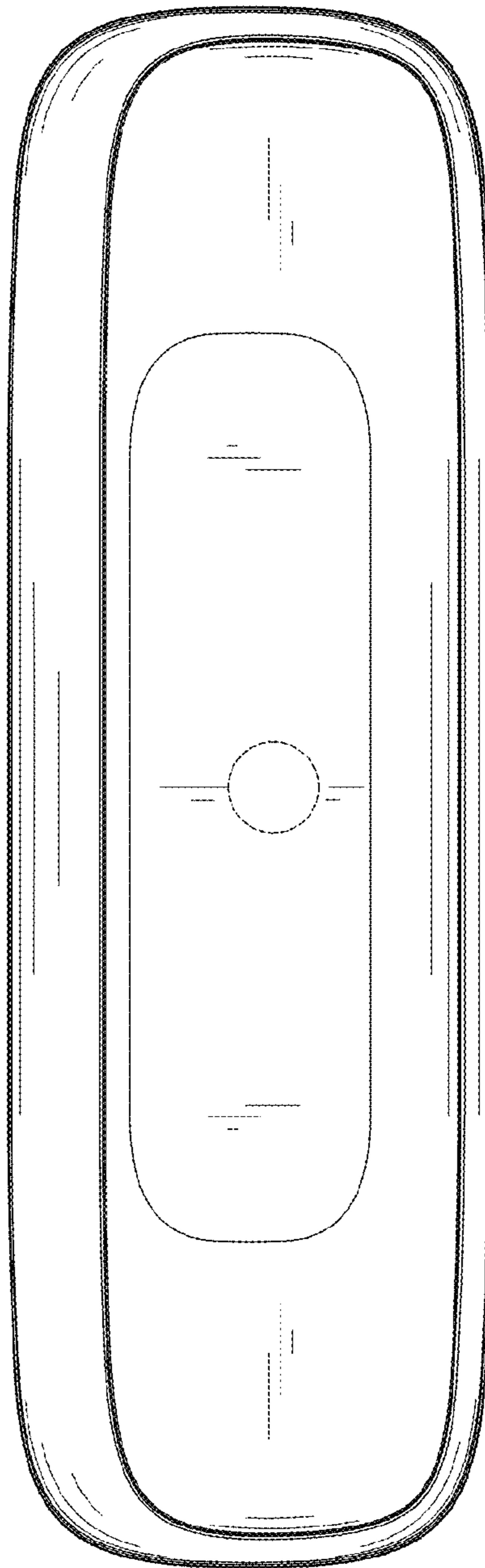


FIG. 3

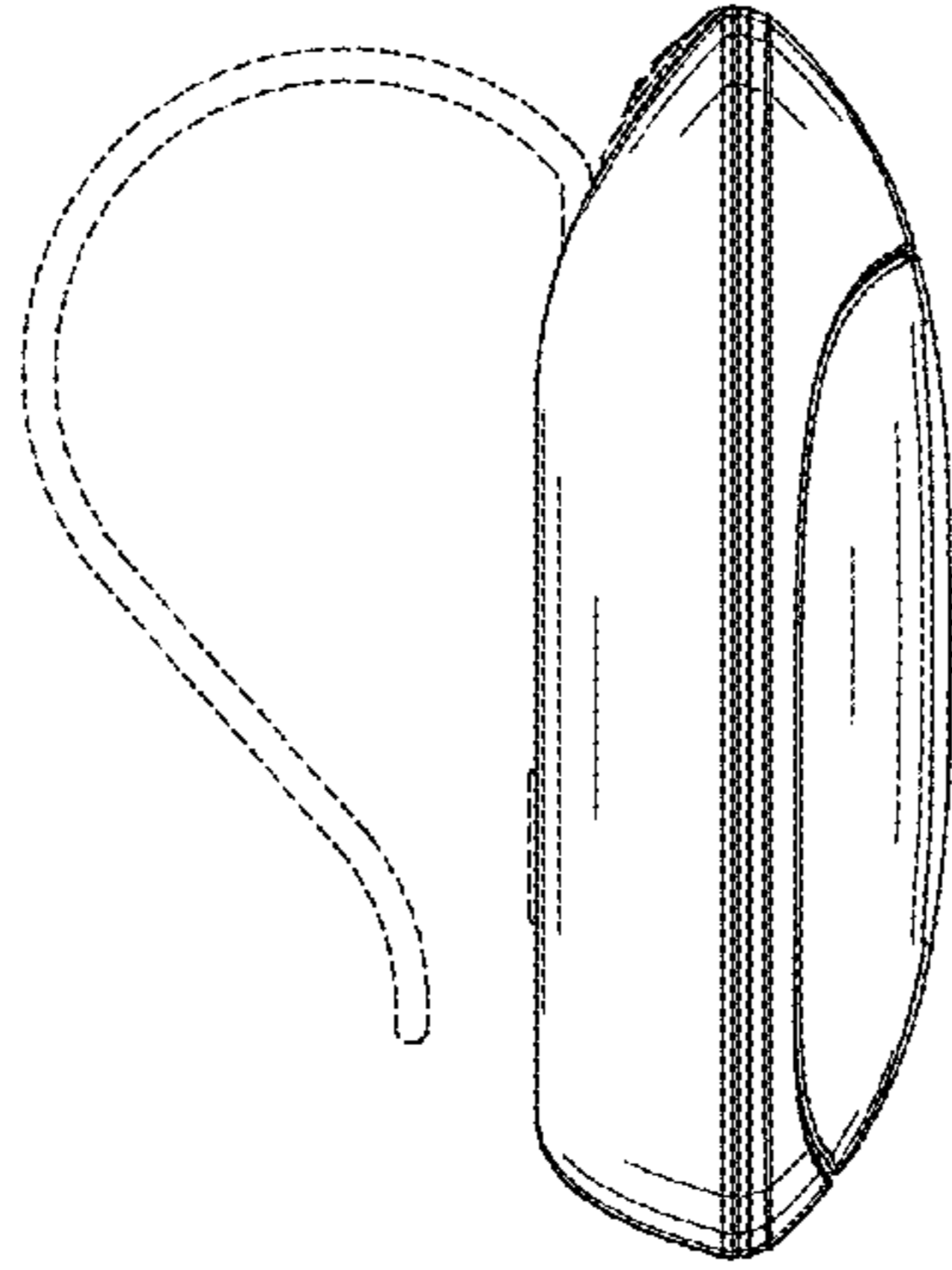


FIG. 5

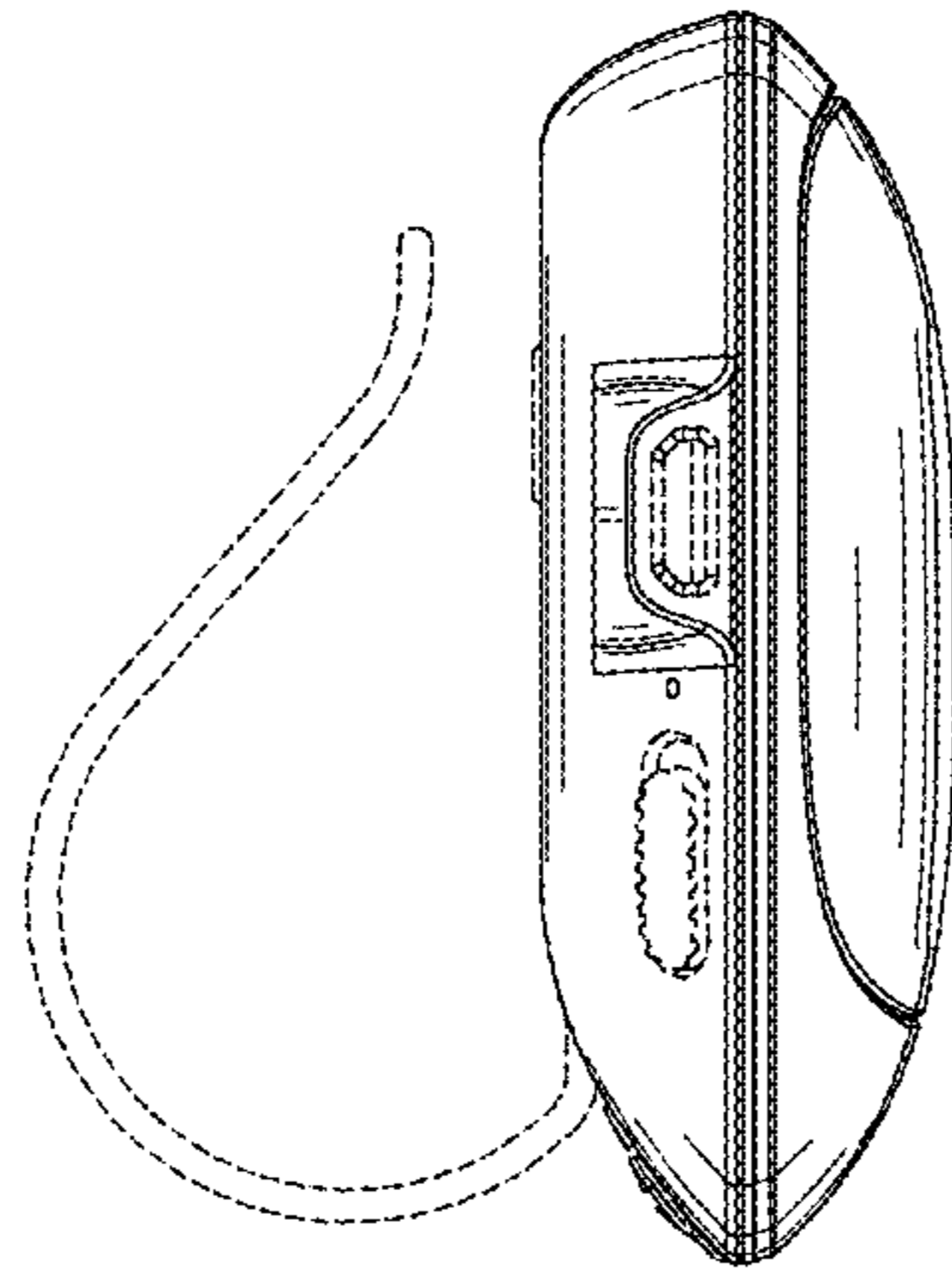


FIG. 4

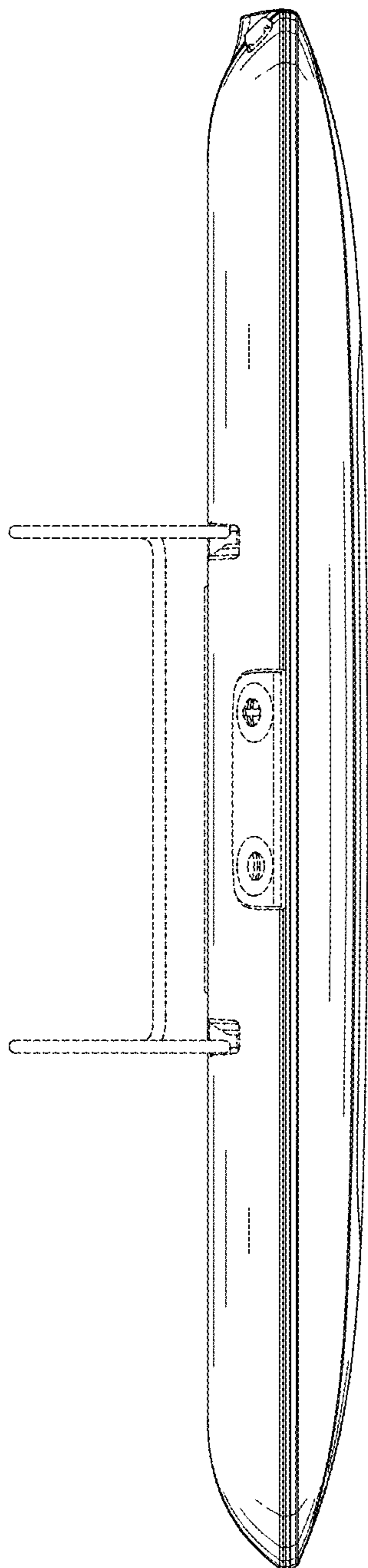


FIG. 6

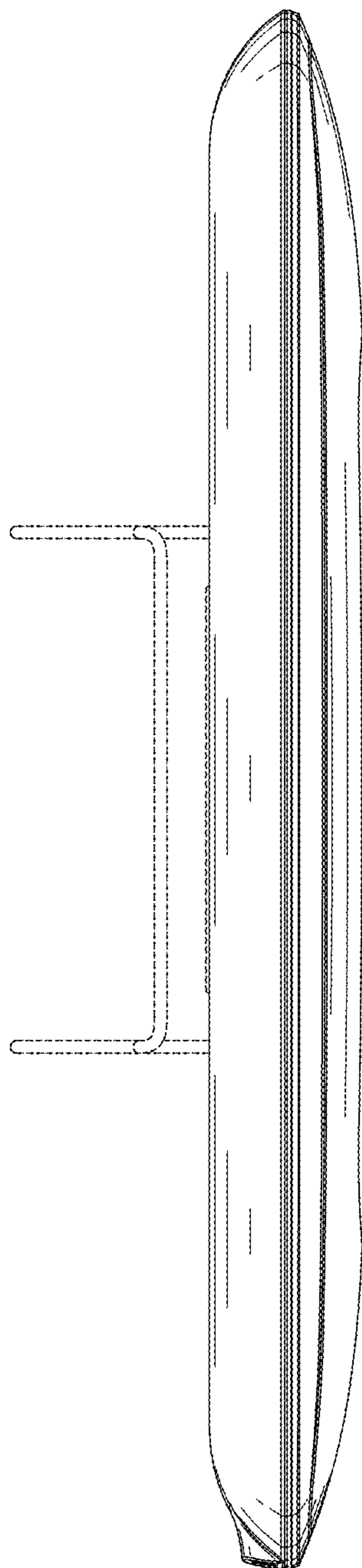


FIG. 7