



US00D739851S

(12) **United States Design Patent**
Donohue, II et al.

(10) **Patent No.:** **US D739,851 S**

(45) **Date of Patent:** **** Sep. 29, 2015**

- (54) **WIRELESS EARBUD**
- (71) Applicant: **HearNotes Inc.**, San Francisco, CA (US)
- (72) Inventors: **Terrence Patrick Donohue, II**, San Francisco, CA (US); **Yalda Moshiri**, San Francisco, CA (US); **Bryan Keith Dandridge**, Madison, WI (US); **Roger Bishop**, Dayton, NV (US)
- (73) Assignee: **HEARNOTES INC.**, San Francisco, CA (US)
- (**) Term: **14 Years**
- (21) Appl. No.: **29/499,719**
- (22) Filed: **Aug. 18, 2014**
- (51) **LOC (10) Cl.** **14-01**
- (52) **U.S. Cl.**
USPC **D14/223**
- (58) **Field of Classification Search**
USPC D14/205, 223, 218, 155, 188, 137, 225, D14/226; D10/81, 104.1; D3/207; D13/168, D13/184; 181/129, 130, 135; 379/430, 431, 379/441; 381/380, 381, 338; 455/90.1, 455/575.2
CPC H04R 1/10
See application file for complete search history.

(56) **References Cited**

U.S. PATENT DOCUMENTS

D167,873	S	*	9/1952	Watson	D24/174
D206,665	S	*	1/1967	Sanzone	D24/174
3,440,365	A	*	4/1969	Hazell et al.	379/430
D236,988	S	*	9/1975	Walters et al.	D14/223
D247,668	S	*	4/1978	Furst et al.	D14/225
D252,024	S	*	6/1979	Fujita	D14/225
D346,805	S	*	5/1994	Kim	D14/240
D385,541	S	*	10/1997	Taylor	D13/168
5,701,355	A	*	12/1997	Brannan et al.	381/361

D389,139	S	*	1/1998	Oross et al.	D14/137
D422,749	S	*	4/2000	Binstock et al.	D28/8.1
D441,185	S	*	5/2001	Shimizu et al.	D3/207
D457,514	S	*	5/2002	Marion et al.	D14/223
D536,692	S	*	2/2007	Alwicker et al.	D14/188
D541,228	S	*	4/2007	Thursfield	D13/168
D581,396	S	*	11/2008	Wikel et al.	D14/206
D584,283	S	*	1/2009	Soetejo et al.	D14/205
D588,113	S	*	3/2009	Bradford	D14/223
D604,722	S	*	11/2009	Mistry	D14/223
D616,874	S	*	6/2010	Matsuoka	D14/223
D632,677	S	*	2/2011	Brown et al.	D14/223
D635,558	S	*	4/2011	Zheng	D14/223
D652,822	S	*	1/2012	Lee et al.	D14/223
D662,066	S	*	6/2012	Seidl et al.	D13/168
D674,904	S	*	1/2013	Aunio	D24/210
D678,849	S	*	3/2013	McCullar et al.	D13/168
D699,226	S	*	2/2014	Yoon	D14/223

(Continued)

Primary Examiner — Paula Greene

(74) *Attorney, Agent, or Firm* — Howard & Howard Attorney PLLC

(57) **CLAIM**

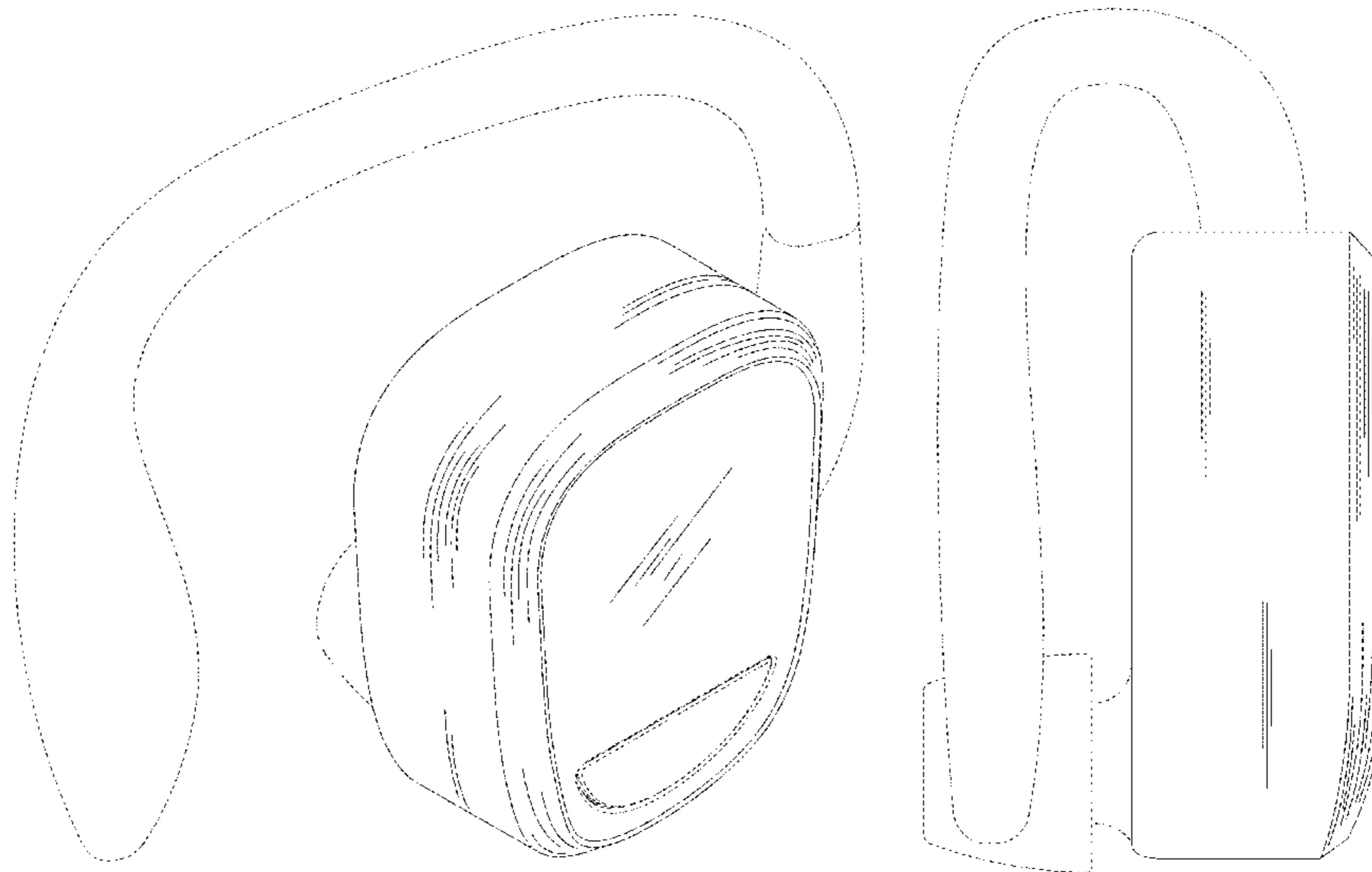
The ornamental design for wireless earbud, as shown and described.

DESCRIPTION

FIG. 1 is a perspective view of the wireless earbud;
 FIG. 2 is a front view of the wireless earbud shown in FIG. 1;
 FIG. 3 is a rear view of the wireless earbud shown in FIG. 1;
 FIG. 4 is a side view of the wireless earbud; shown in FIG. 1;
 FIG. 5 is a side view of the opposing side of the wireless earbud shown in FIG. 1;
 FIG. 6 is a top view of the wireless earbud shown in FIG. 1;
 and,
 FIG. 7 is a bottom view of the wireless earbud shown in FIG. 1.

The broken lines in the Figs showing portions of the wireless earbud or portions thereof form no part of the claimed design.

1 Claim, 7 Drawing Sheets



US D739,851 S

Page 2

(56)

References Cited

U.S. PATENT DOCUMENTS

D719,139 S *	12/2014	Henry et al.	D14/223
D725,082 S *	3/2015	Palmborg et al.	D14/223
2012/0087532 A1 *	4/2012	Yang	381/380
D711,356 S *	8/2014	Yang	D14/223

* cited by examiner



FIG. 1

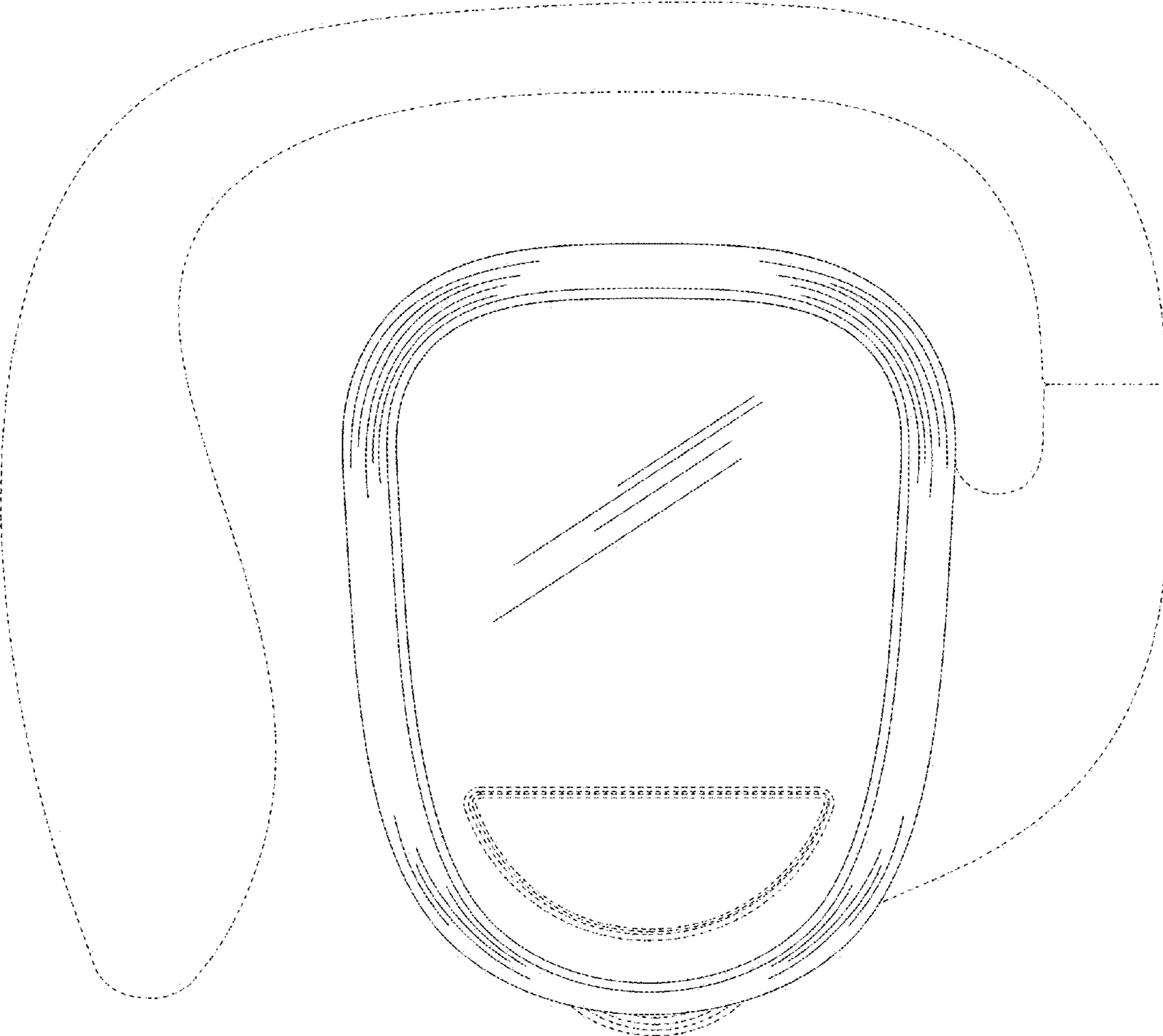


FIG. 2

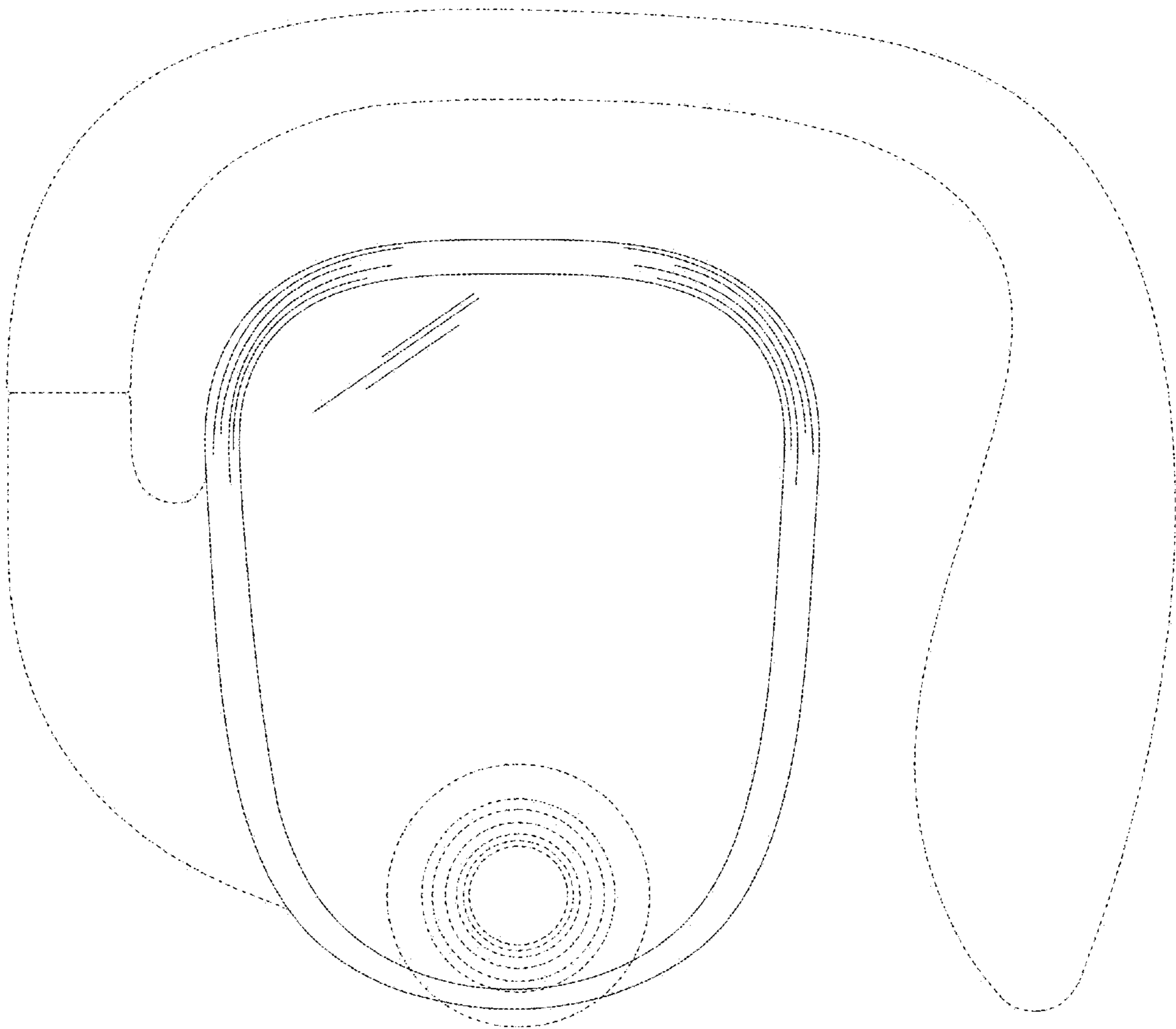


FIG. 3

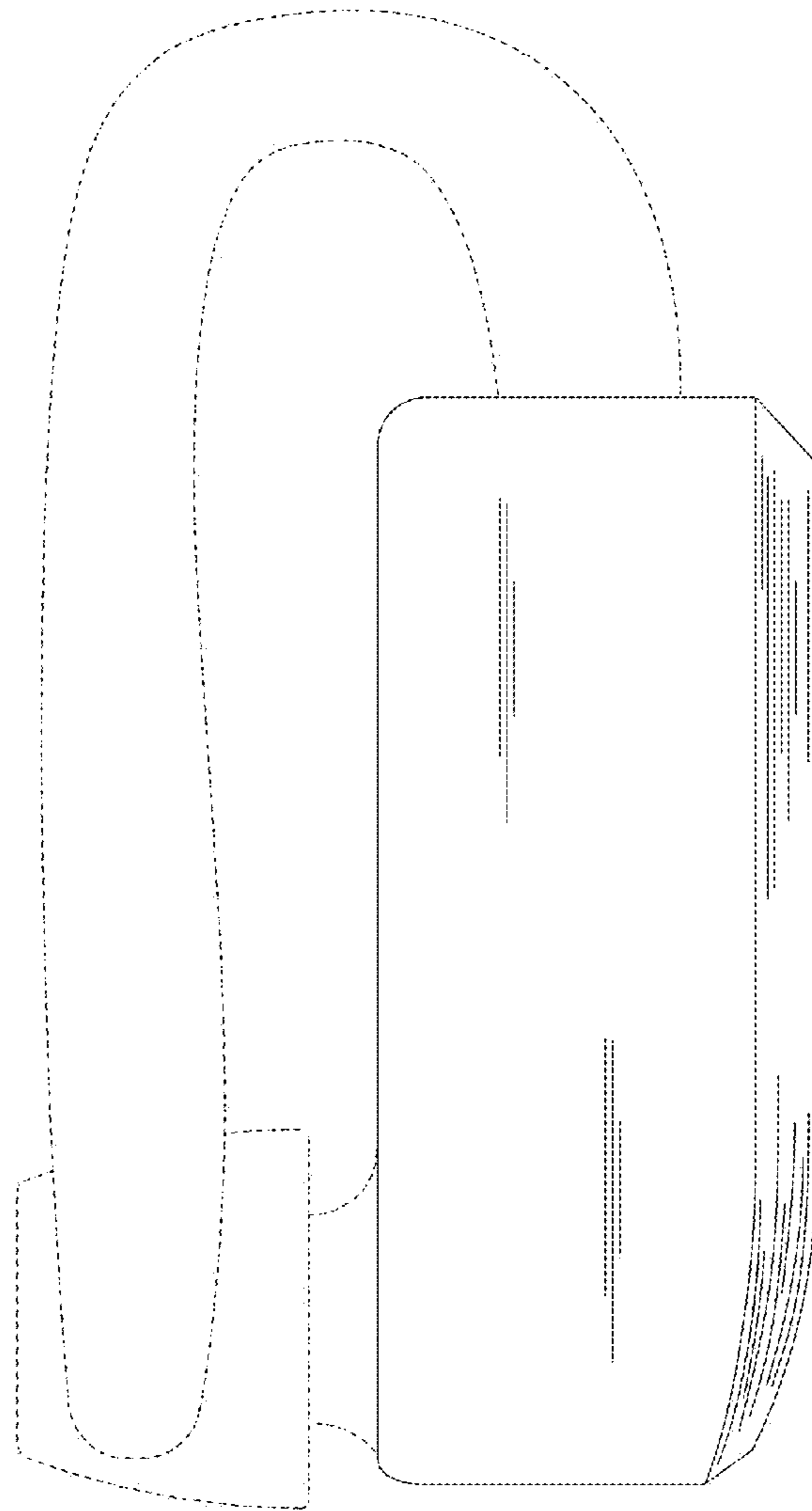


FIG. 4

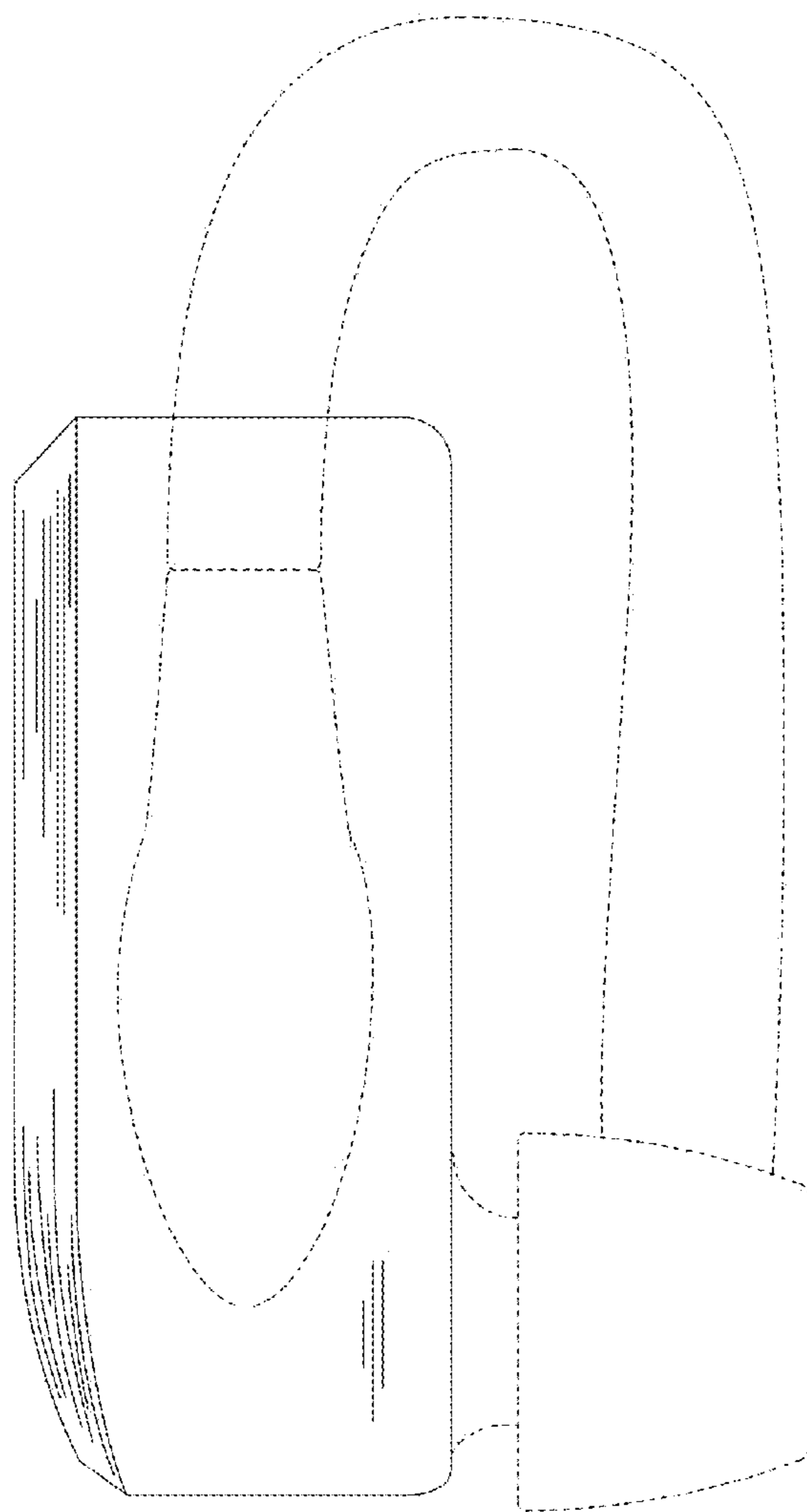


FIG. 5

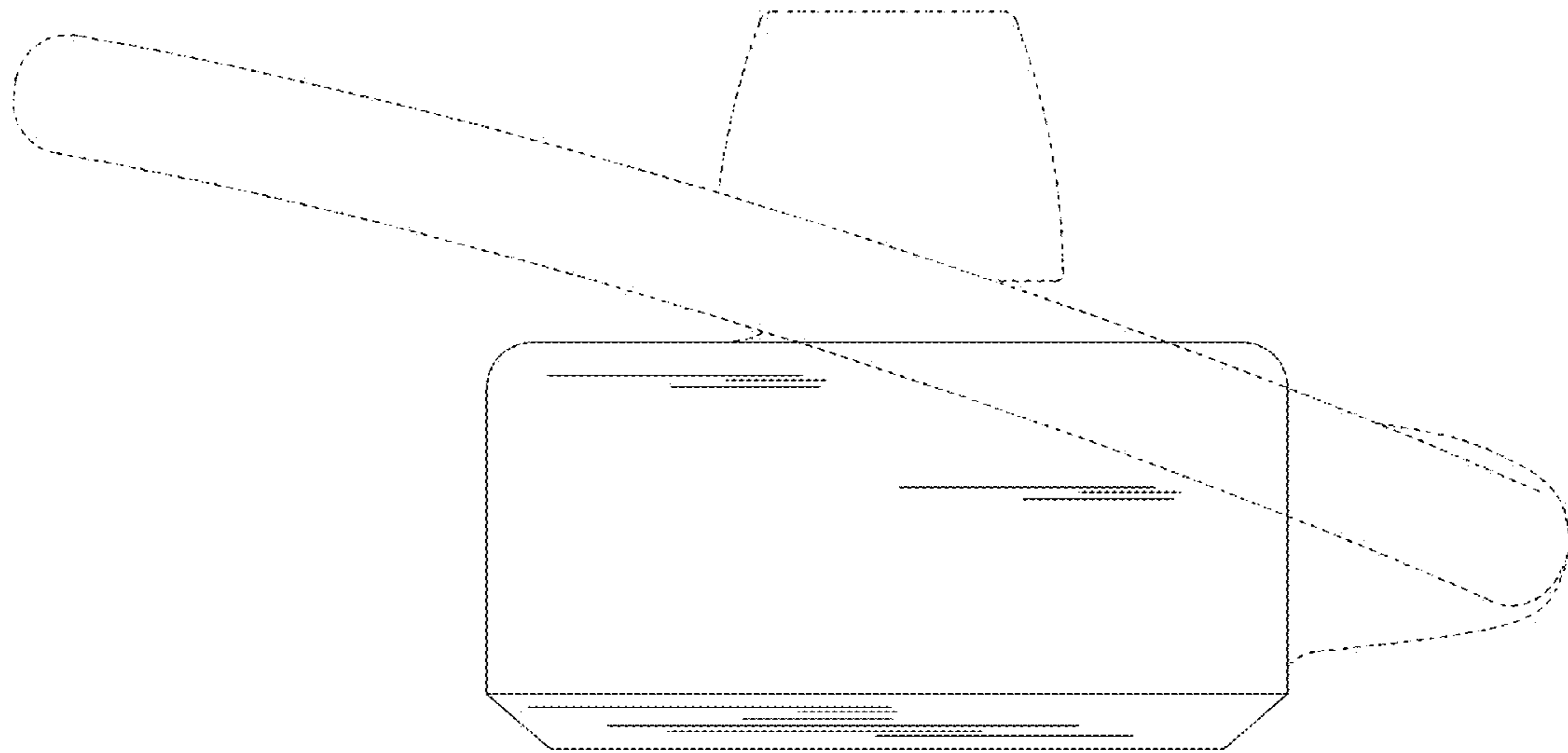


FIG. 6

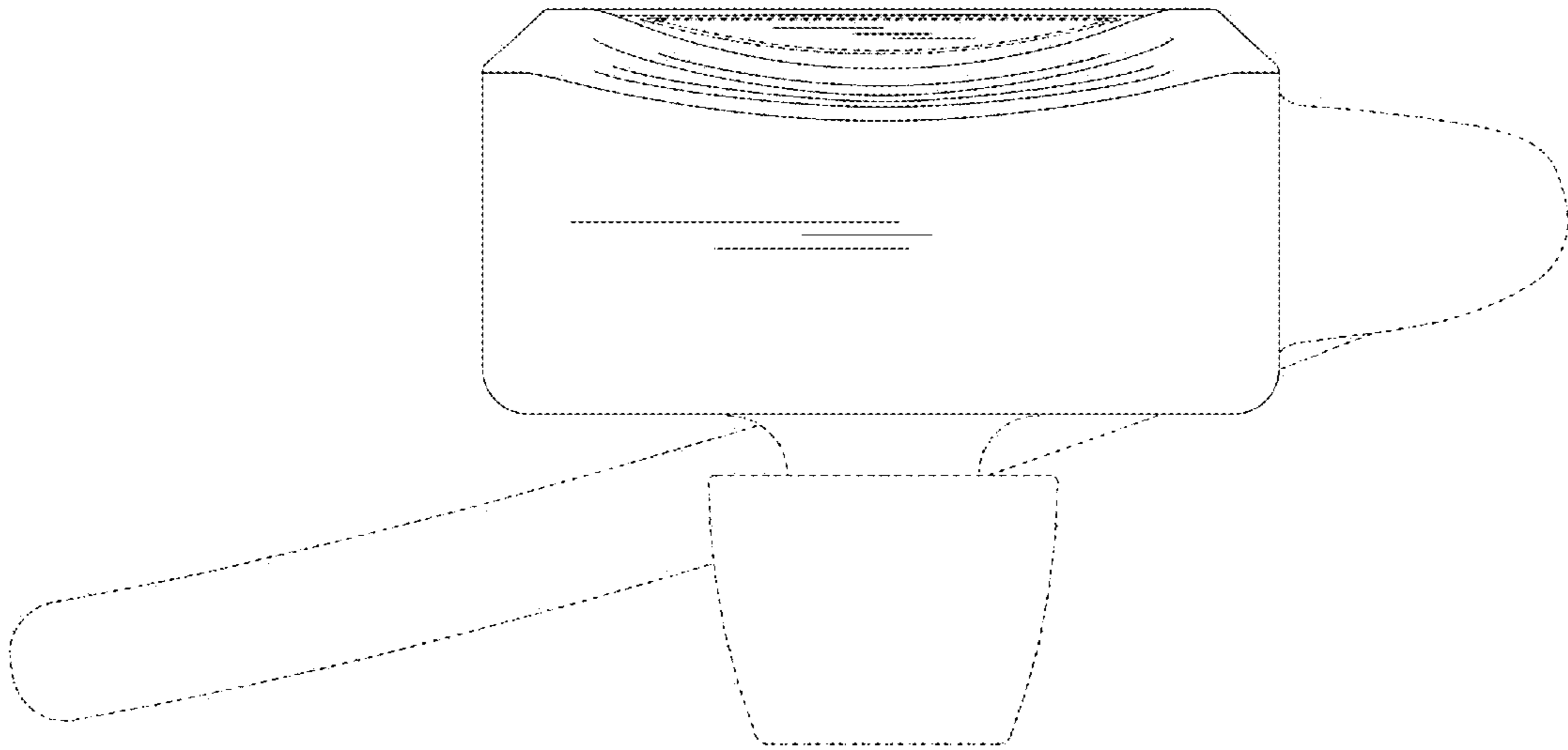


FIG. 7