



US00D739850S

(12) **United States Design Patent**  
**Gao**

(10) **Patent No.:** **US D739,850 S**  
(45) **Date of Patent:** **\*\* Sep. 29, 2015**

(54) **WIRELESS HEADSET WITH WRIST CHARGER**

(71) Applicant: **Qingguo Gao**, Guangdong Province (CN)

(72) Inventor: **Qingguo Gao**, Guangdong Province (CN)

(\*\*) Term: **14 Years**

(21) Appl. No.: **29/493,778**

(22) Filed: **Jun. 13, 2014**

(51) **LOC (10) Cl.** ..... **14-01**

(52) **U.S. Cl.**  
USPC ..... **D14/223**

(58) **Field of Classification Search**  
USPC ..... D14/223, 142, 143, 144, 358, 356, 344;  
D13/107, 108; 320/111, 113; 181/129,  
181/130, 135; 379/430, 431; 381/380, 381;  
455/90, 575.23, 575.2  
CPC ..... H04M 1/00; H04R 25/00  
See application file for complete search history.

(56) **References Cited**

**U.S. PATENT DOCUMENTS**

2,186,089	A *	1/1940	Baker	.....	224/168
D218,105	S *	7/1970	Sato	.....	D13/107
4,175,217	A *	11/1979	Williams	.....	379/430
D305,759	S *	1/1990	Balbuena	.....	D14/147
5,218,577	A *	6/1993	Seager	.....	368/10
5,251,189	A *	10/1993	Thorp	.....	368/4
5,274,613	A *	12/1993	Seager	.....	368/13
D356,516	S *	3/1995	Price	.....	D10/104.1
5,467,324	A *	11/1995	Houlihan	.....	368/10
6,122,369	A *	9/2000	Hwang et al.	.....	379/420.04
D459,352	S *	6/2002	Giovanniello	.....	D14/402
D482,671	S *	11/2003	DiDonato	.....	D14/144
D514,552	S *	2/2006	Lee et al.	.....	D14/223
D526,641	S *	8/2006	Ham	.....	D14/205
D552,087	S *	10/2007	Wei	.....	D14/223
D556,194	S *	11/2007	Rambosek et al.	.....	D14/480.3

D558,198	S *	12/2007	Blankenship et al.	.....	D14/480.5
D564,367	S *	3/2008	Molyneux	.....	D10/31
7,345,954	B2 *	3/2008	Ehram et al.	.....	368/10
D568,302	S *	5/2008	Oh	.....	D14/223
D571,684	S *	6/2008	Kim	.....	D11/2
D583,815	S *	12/2008	Giovannoni	.....	D14/480.3
7,639,825	B2 *	12/2009	Fukuda	.....	381/151
D616,873	S *	6/2010	Olivier	.....	D14/223
D620,927	S *	8/2010	Li	.....	D14/223
7,778,410	B2 *	8/2010	Liu et al.	.....	379/430
D635,961	S *	4/2011	Gidde et al.	.....	D14/223
D637,184	S *	5/2011	March	.....	D14/223

(Continued)

Primary Examiner — Paula Greene

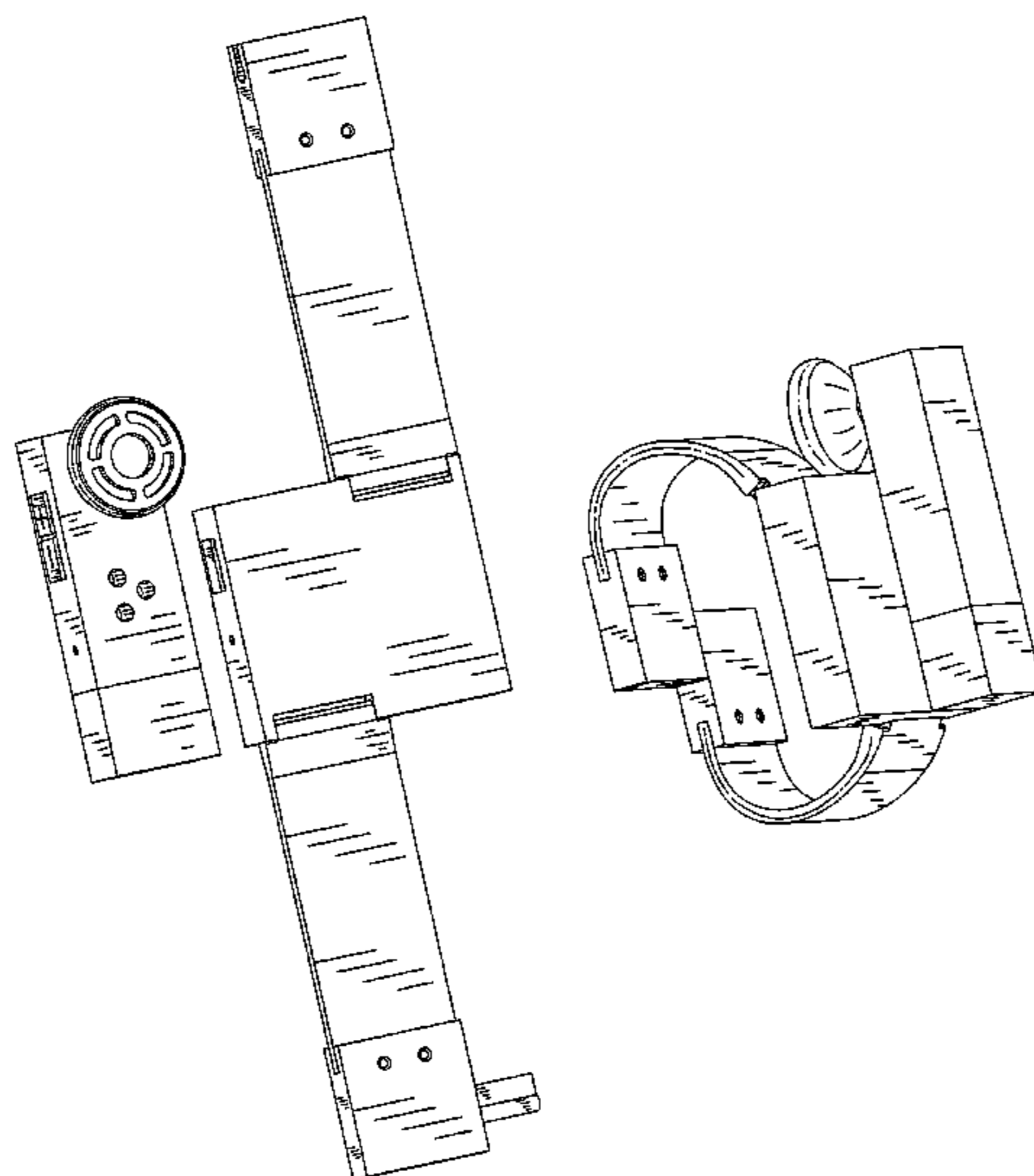
(57) **CLAIM**

The ornamental design for a wireless headset with wrist charger, as shown and described.

**DESCRIPTION**

FIG. 1 is a front elevational view of a wireless headset with wrist charger showing my new design;  
 FIG. 2 is a rear elevational view thereof;  
 FIG. 3 is a left side view thereof;  
 FIG. 4 is a right side view thereof;  
 FIG. 5 is a top plan view thereof;  
 FIG. 6 is a bottom plan view thereof;  
 FIG. 7 is a front perspective view thereof;  
 FIG. 8 is a rear perspective view thereof;  
 FIG. 9 is a front perspective view showing the bluetooth® headset removed from the wrist charger in accordance with my new design;  
 FIG. 10 is a rear perspective view showing the bluetooth® headset removed from the wrist charger in accordance with my new design;  
 FIG. 11 is a left front perspective view of the wireless headset with wrist charger shown in FIG. 1 with the strap buckled;  
 FIG. 12 is a right front perspective view of the wrist charger with bluetooth® headset shown in FIG. 11; and,  
 FIG. 13 is a rear perspective view of the wrist charger with bluetooth® headset shown in FIG. 11.

**1 Claim, 11 Drawing Sheets**



(56)

**References Cited**

U.S. PATENT DOCUMENTS

D643,428 S \* 8/2011 Janky et al. .... D14/358  
D671,096 S \* 11/2012 Song et al. .... D14/223  
8,498,679 B2 \* 7/2013 Yu ..... 455/575.2

D710,830 S \* 8/2014 Birger ..... D14/223  
D716,274 S \* 10/2014 Henning ..... D14/223  
2001/0036264 A1 \* 11/2001 Ito et al. .... 379/433.1  
2002/0105778 A1 \* 8/2002 Harada ..... 361/681  
2010/0029327 A1 \* 2/2010 Jee ..... 455/556.1

\* cited by examiner

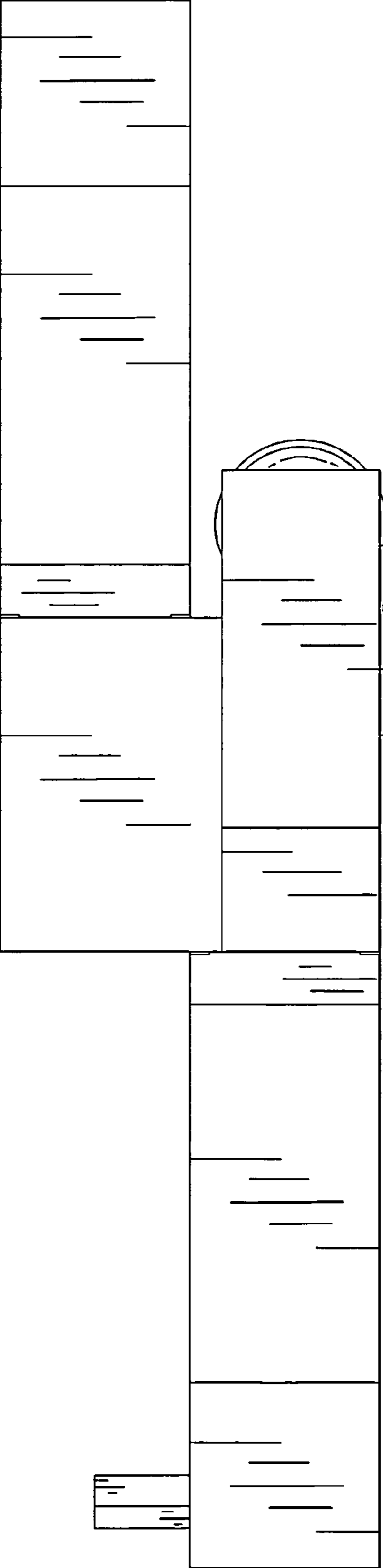


FIG. 1

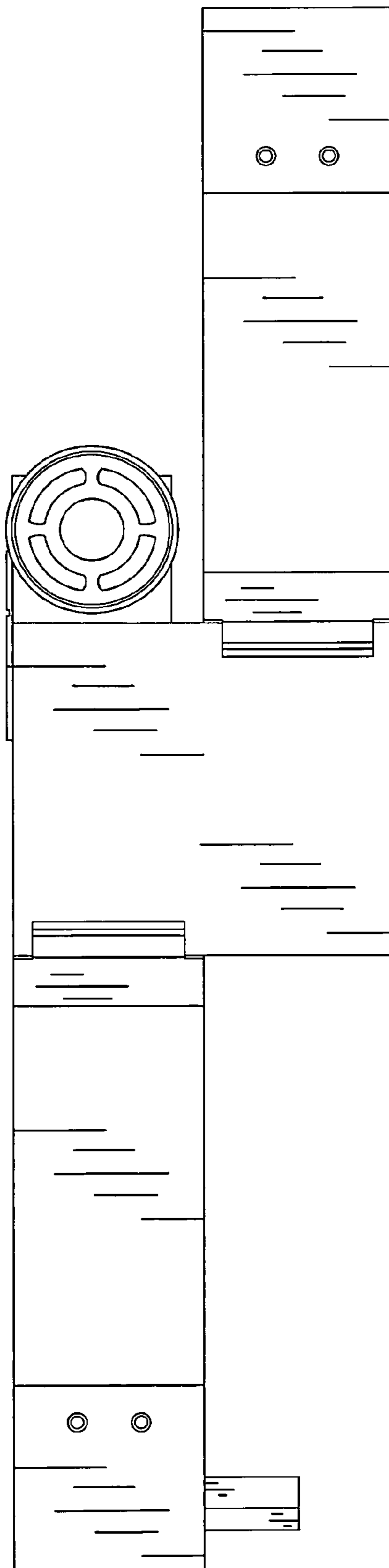


FIG. 2

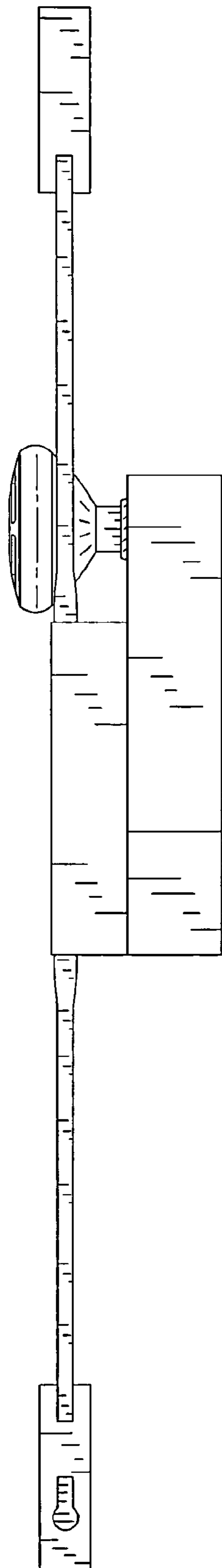


FIG. 3

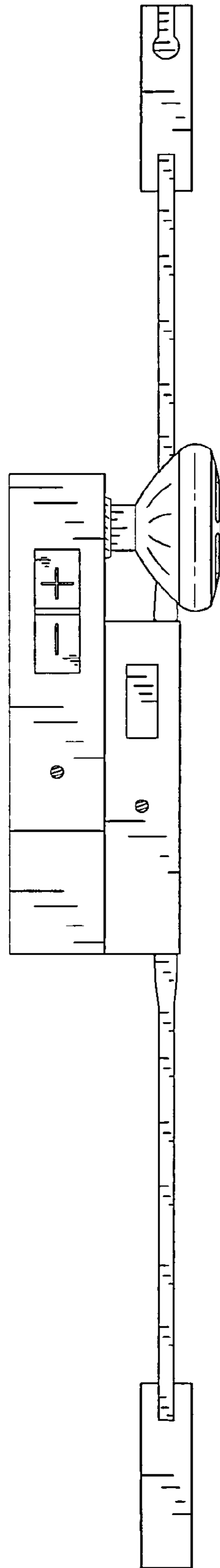


FIG. 4

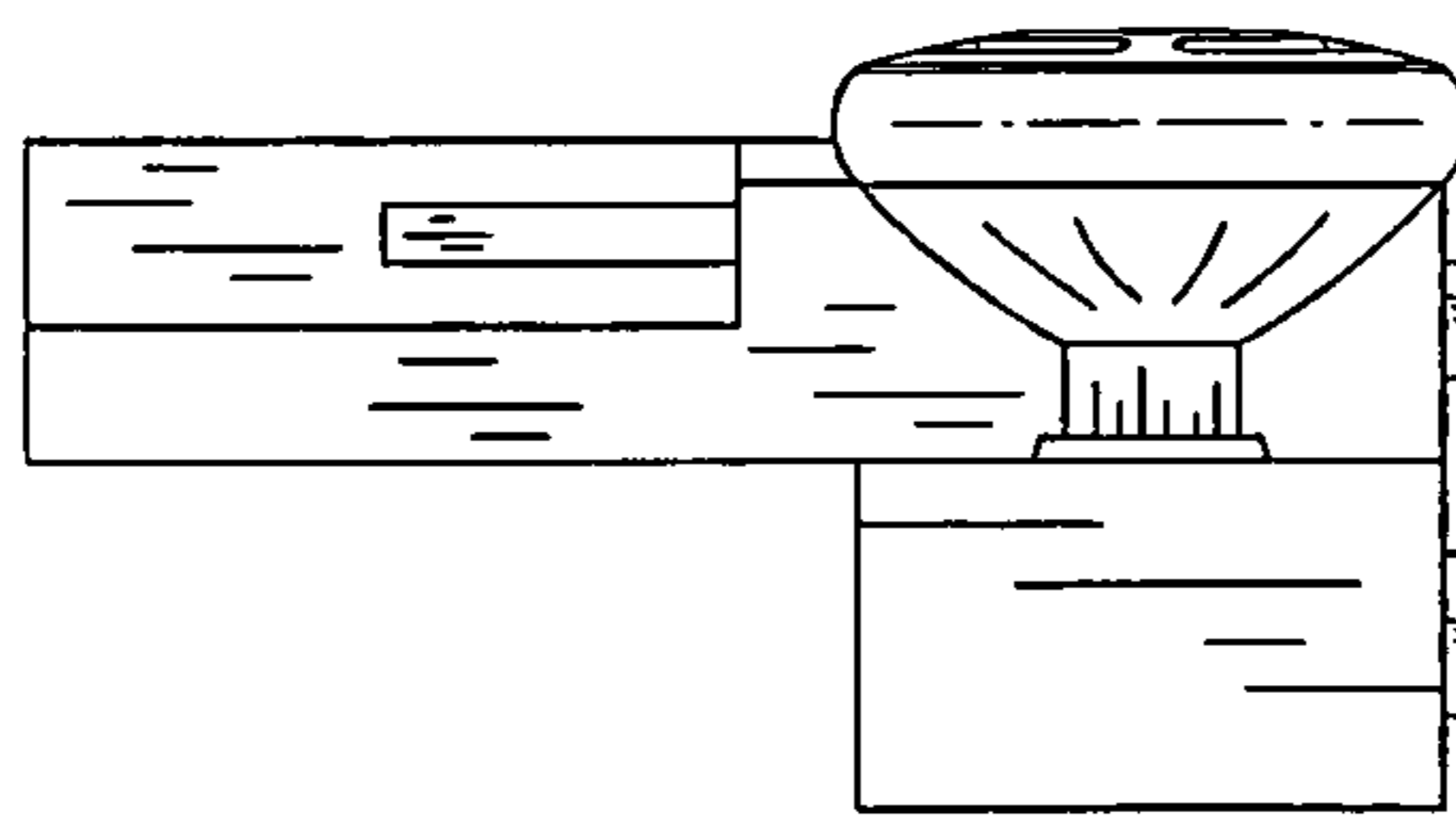


FIG. 5

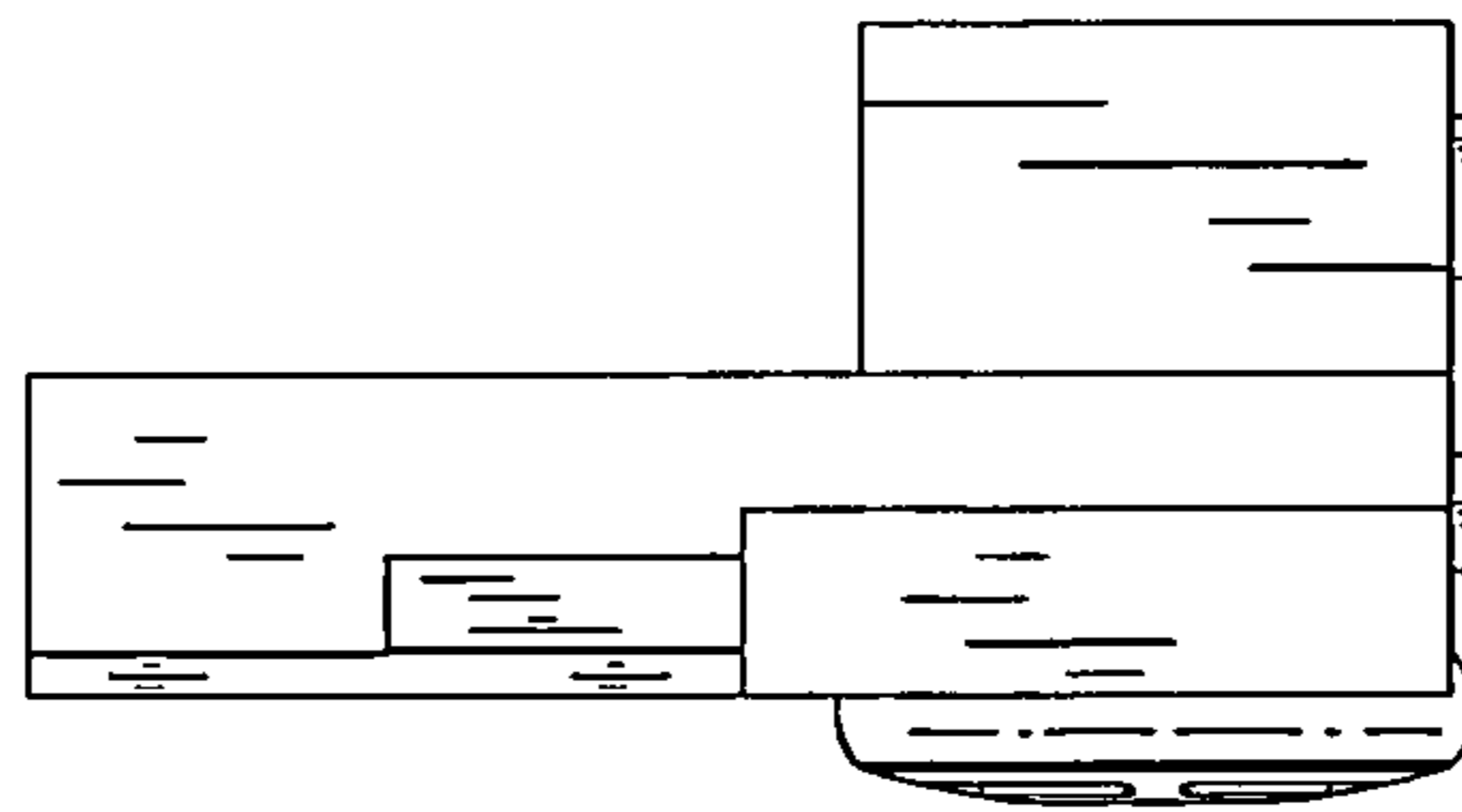


FIG. 6

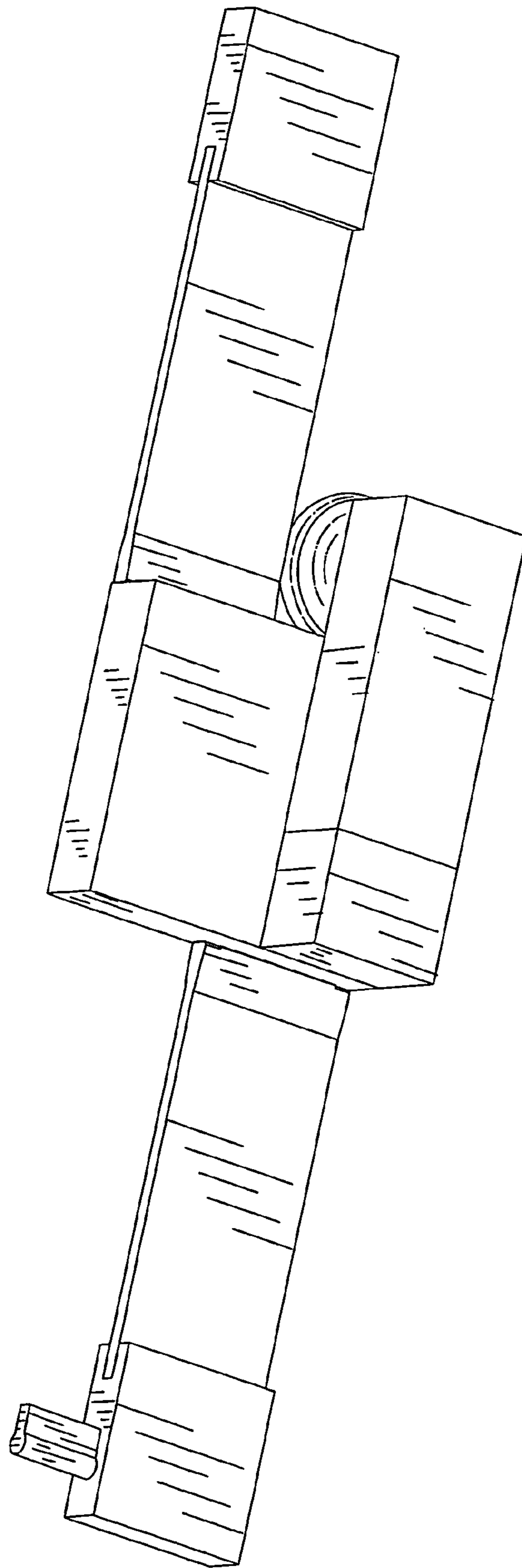


FIG. 7



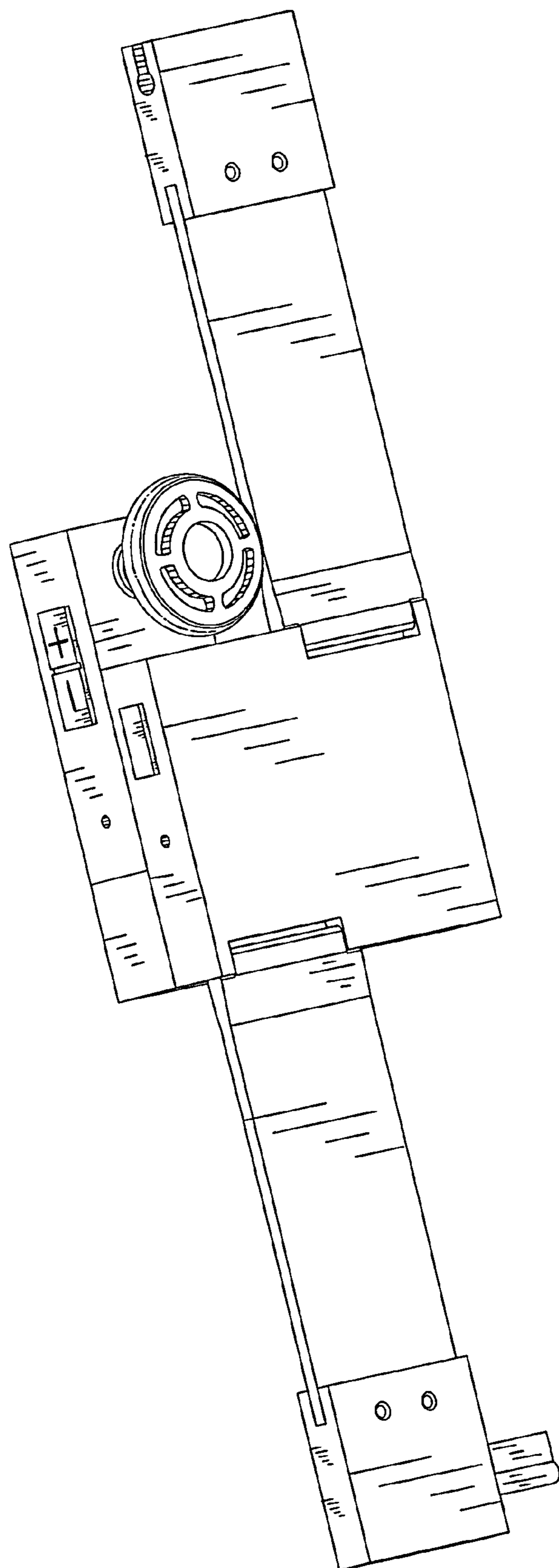


FIG. 8

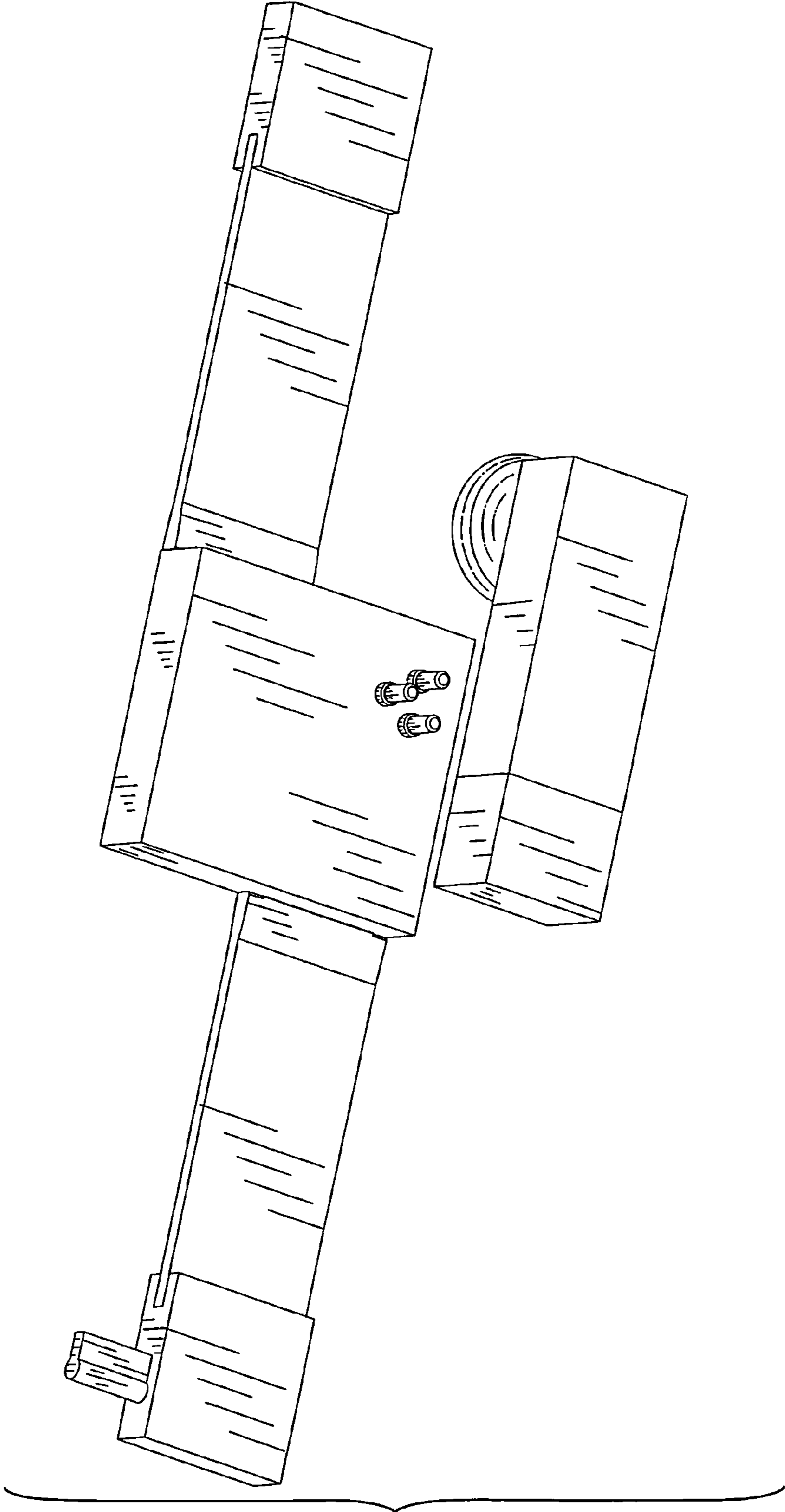


FIG. 9

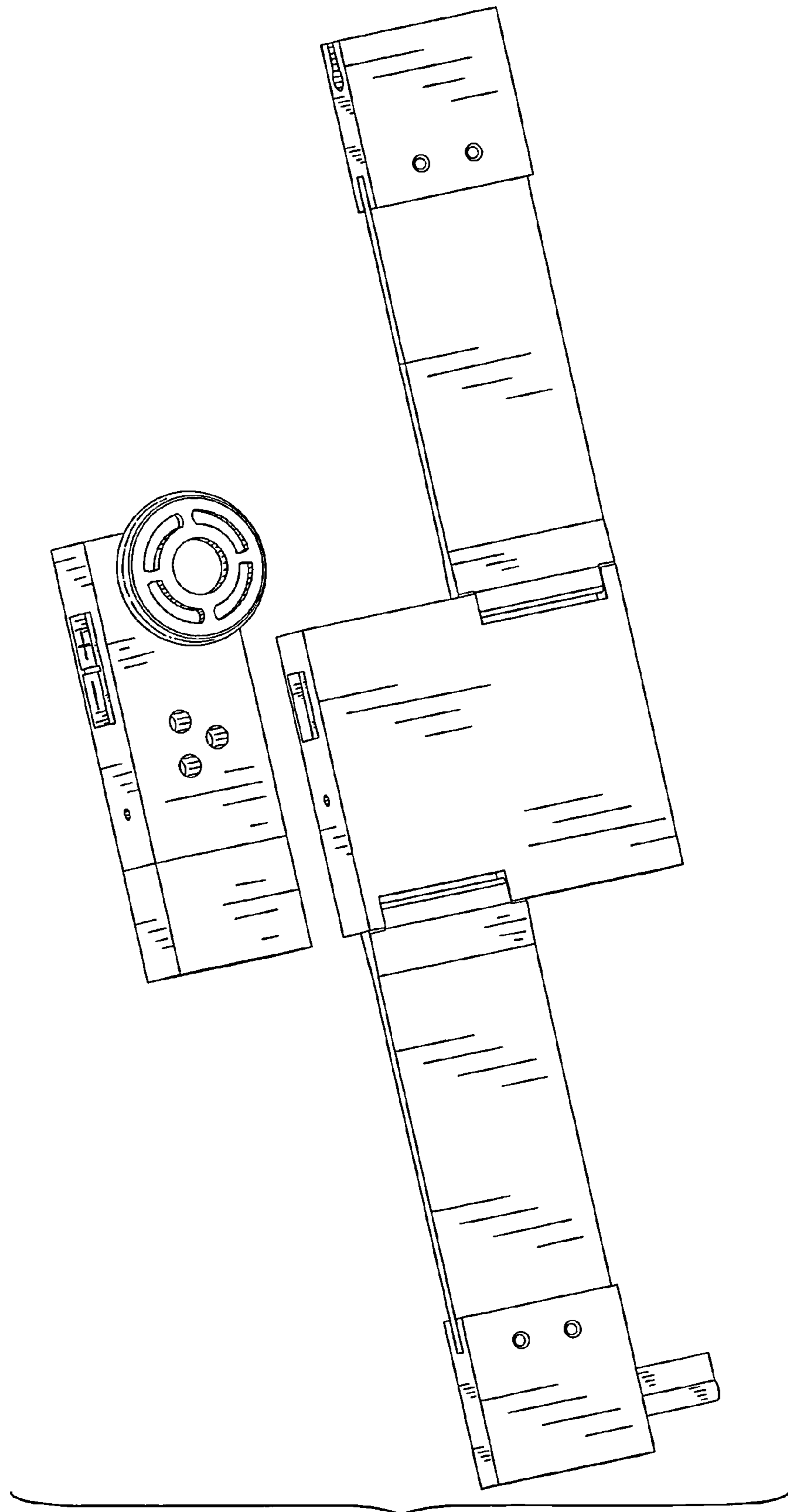


FIG. 10

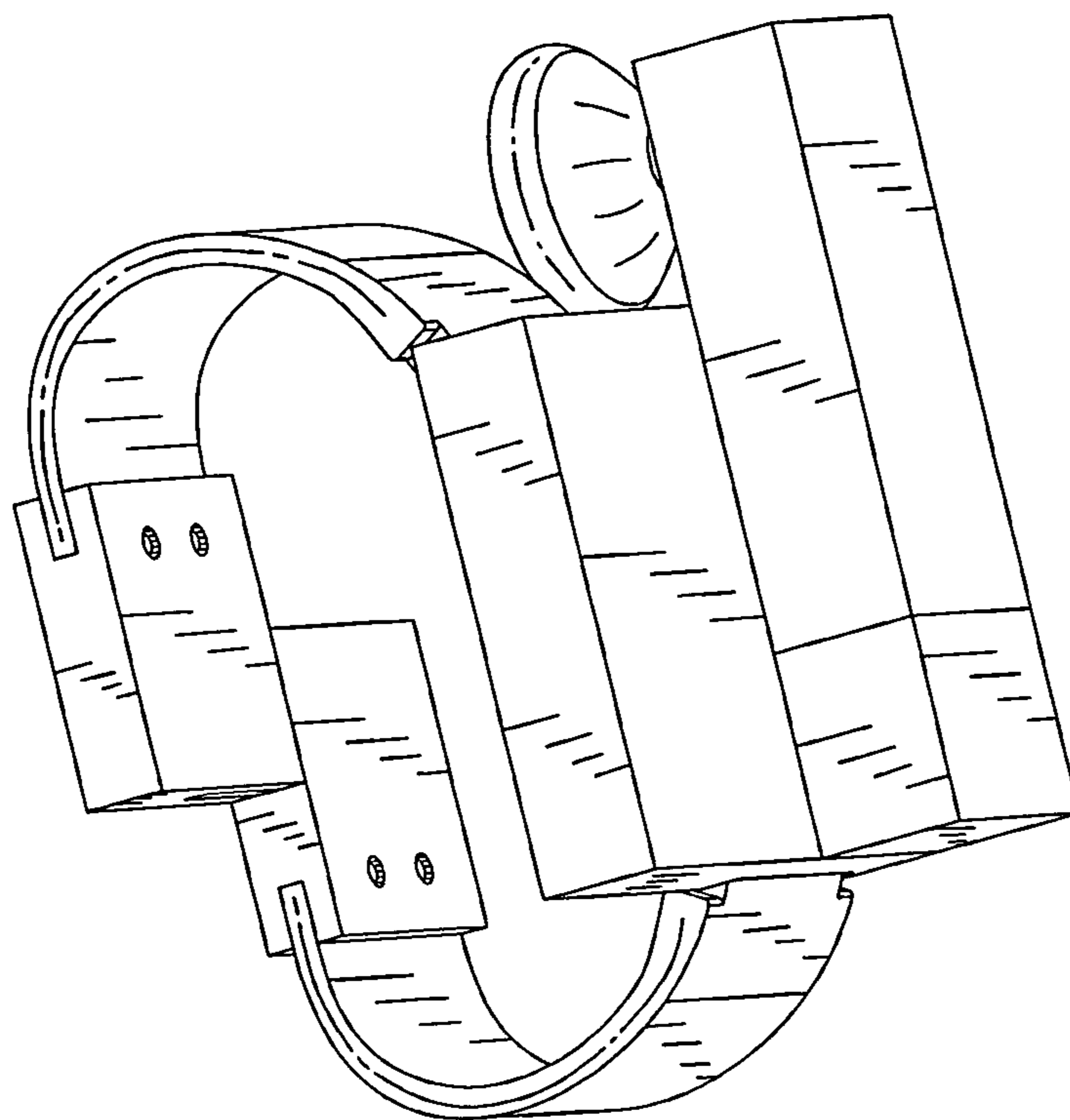


FIG. 11

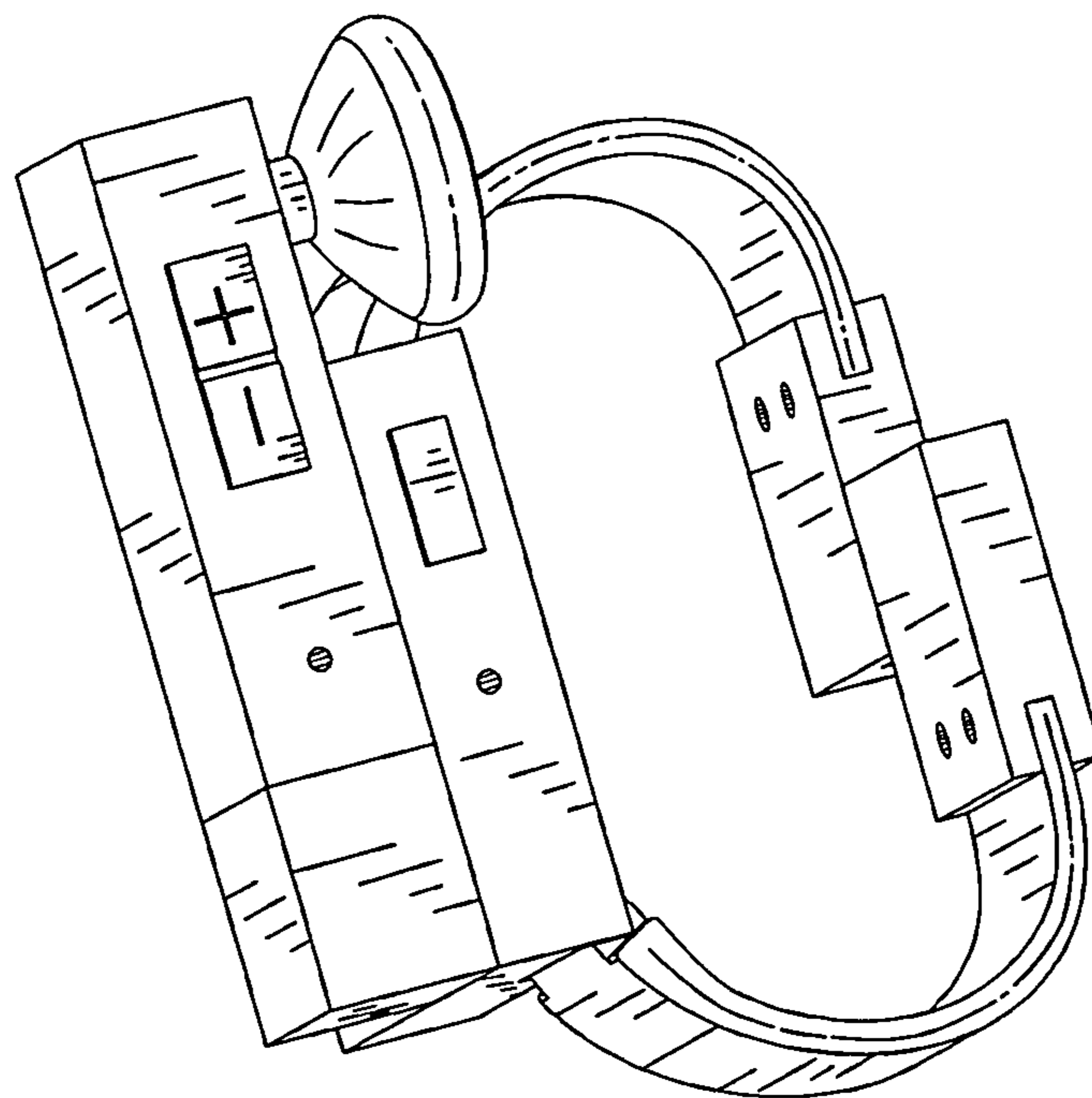


FIG. 12

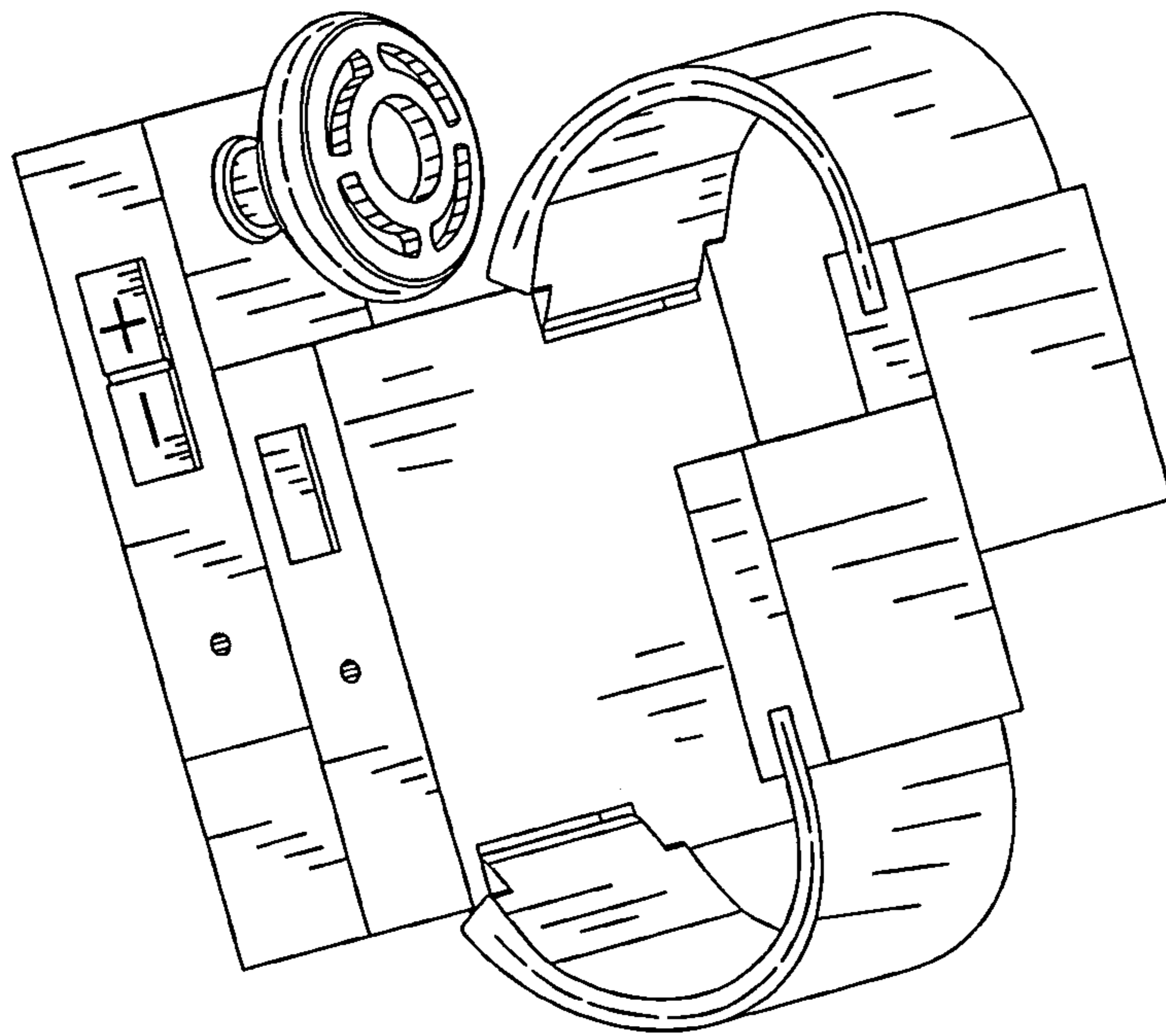


FIG. 13