



US00D739849S

(12) **United States Design Patent**  
**Donohue, II et al.**

(10) **Patent No.:** **US D739,849 S**

(45) **Date of Patent:** **\*\* Sep. 29, 2015**

- (54) **WIRELESS TRANSMITTER**
- (71) Applicant: **HearNotes Inc.**, San Francisco, CA (US)
- (72) Inventors: **Terrence Patrick Donohue, II**, San Francisco, CA (US); **Yalda Moshiri**, San Francisco, CA (US); **Bryan Keith Dandridge**, Madison, WI (US); **Roger Bishop**, Dayton, NV (US)
- (73) Assignee: **HEARNOTES INC.**, San Francisco, CA (US)
- (\*\*) Term: **14 Years**
- (21) Appl. No.: **29/499,720**
- (22) Filed: **Aug. 18, 2014**
- (51) **LOC (10) Cl.** ..... **14-01**
- (52) **U.S. Cl.**  
USPC ..... **D14/221**
- (58) **Field of Classification Search**  
USPC ..... D14/221, 225, 226, 217, 218, 155, 188, D14/137; D10/81, 104.1; D24/174; D3/207; D13/133, 168, 184; 181/129, 130, 135; 379/430, 431, 441; 381/380, 381, 338; 455/90.3, 575.1; 439/606, 668, 669, 439/638  
CPC ..... H01R 25/00  
See application file for complete search history.

(56) **References Cited**

**U.S. PATENT DOCUMENTS**

1,312,493	A *	8/1919	Theis	128/866
2,429,414	A *	10/1947	Kuenstler	310/356
D167,873	S *	9/1952	Watson	D24/174
D206,665	S *	1/1967	Sanzone	D24/174
D247,668	S *	4/1978	Furst et al.	D14/225
D252,024	S *	6/1979	Fujita	D14/225
4,417,104	A *	11/1983	Langer	181/135
D346,805	S *	5/1994	Kim	D14/240
D385,541	S *	10/1997	Taylor	D13/168
5,701,355	A *	12/1997	Brannan et al.	381/361

D389,139	S *	1/1998	Oross et al.	D14/137
D422,749	S *	4/2000	Binstock et al.	D28/8.1
D441,185	S *	5/2001	Shimizu et al.	D3/207
6,386,314	B1 *	5/2002	Sheehan et al.	181/129
D531,991	S *	11/2006	Chau	D14/217
D533,542	S *	12/2006	Suzuki et al.	D14/218
D534,896	S *	1/2007	Lin	D14/188
D536,692	S *	2/2007	Alwicker et al.	D14/188
D581,396	S *	11/2008	Wikel et al.	D14/206
D584,283	S *	1/2009	Soetejo et al.	D14/205
D588,113	S *	3/2009	Bradford	D14/223
D604,722	S *	11/2009	Mistry	D14/223
D616,874	S *	6/2010	Matsuoka	D14/223
D632,677	S *	2/2011	Brown et al.	D14/223
D635,558	S *	4/2011	Zheng	D14/223

(Continued)

*Primary Examiner* — Paula Greene

(74) *Attorney, Agent, or Firm* — Howard & Howard Attorneys PLLC

(57) **CLAIM**

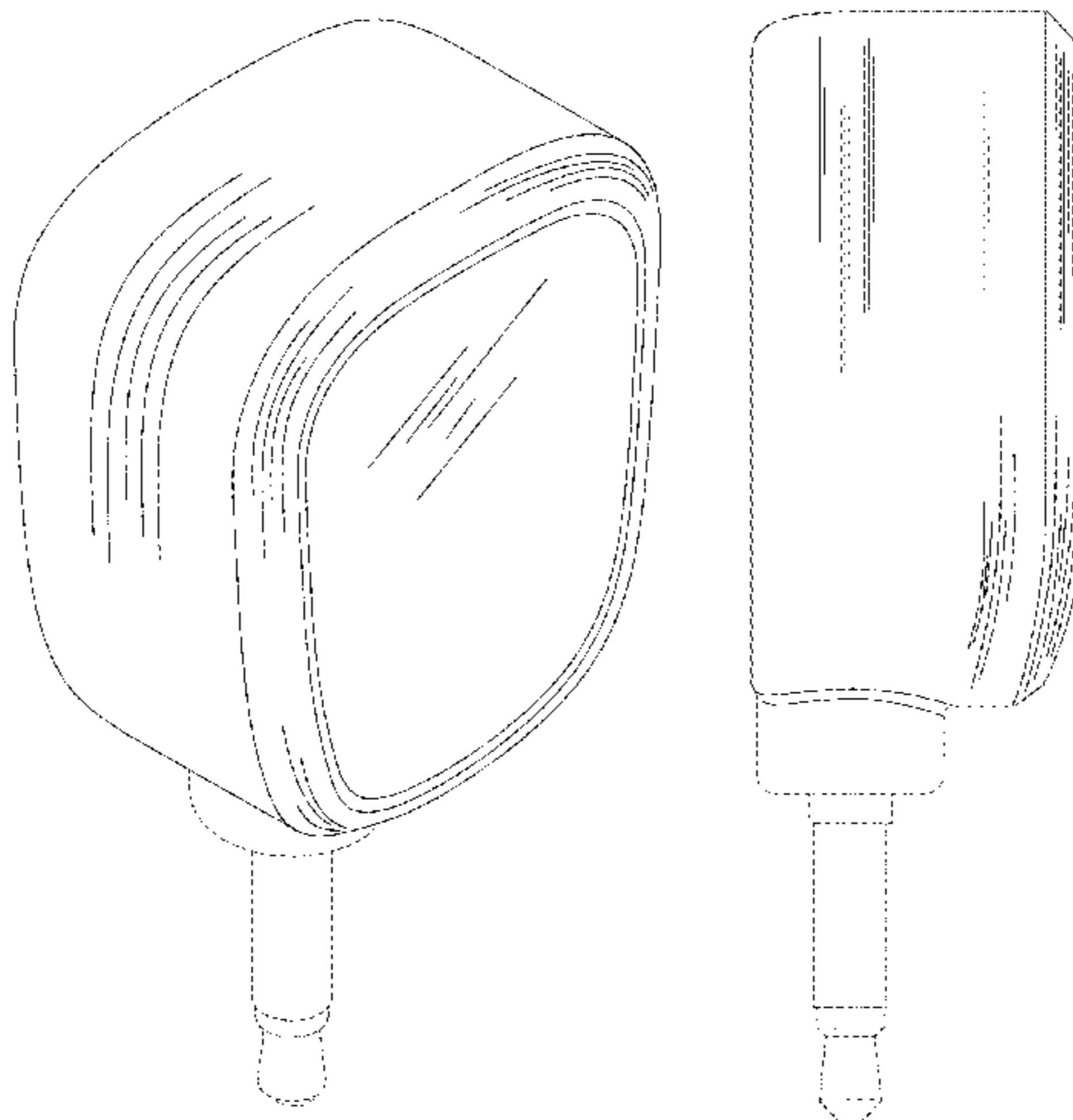
The ornamental design for a wireless transmitter, as shown and described.

**DESCRIPTION**

FIG. 1 is a perspective view of the wireless transmitter; FIG. 2 is a front view of the wireless transmitter shown in FIG. 1; FIG. 3 is a rear view of the wireless transmitter shown in FIG. 1; FIG. 4 is a side view of the wireless transmitter shown in FIG. 1; FIG. 5 is a side view of the opposing side of the wireless transmitter shown in FIG. 1; FIG. 6 is a top view of the wireless transmitter shown in FIG. 1; and, FIG. 7 is a bottom view of the wireless transmitter shown in FIG. 1.

The broken lines in the Figs showing portions of the wireless transmitter or portions thereof form no part of the claimed design.

**1 Claim, 6 Drawing Sheets**



# US D739,849 S

Page 2

---

(56)

## References Cited

### U.S. PATENT DOCUMENTS

D652,822 S *	1/2012	Lee et al. ....	D14/223	D699,226 S *	2/2014	Yoon .....	D14/223
D662,066 S *	6/2012	Seidl et al. ....	D13/168	D711,356 S *	8/2014	Yang .....	D14/223
D678,849 S *	3/2013	McCullar et al. ....	D13/168	D719,139 S *	12/2014	Henry et al. ....	D14/223
				2008/0106432 A1 *	5/2008	Lai .....	340/825.22
				2012/0087532 A1 *	4/2012	Yang .....	381/380

\* cited by examiner

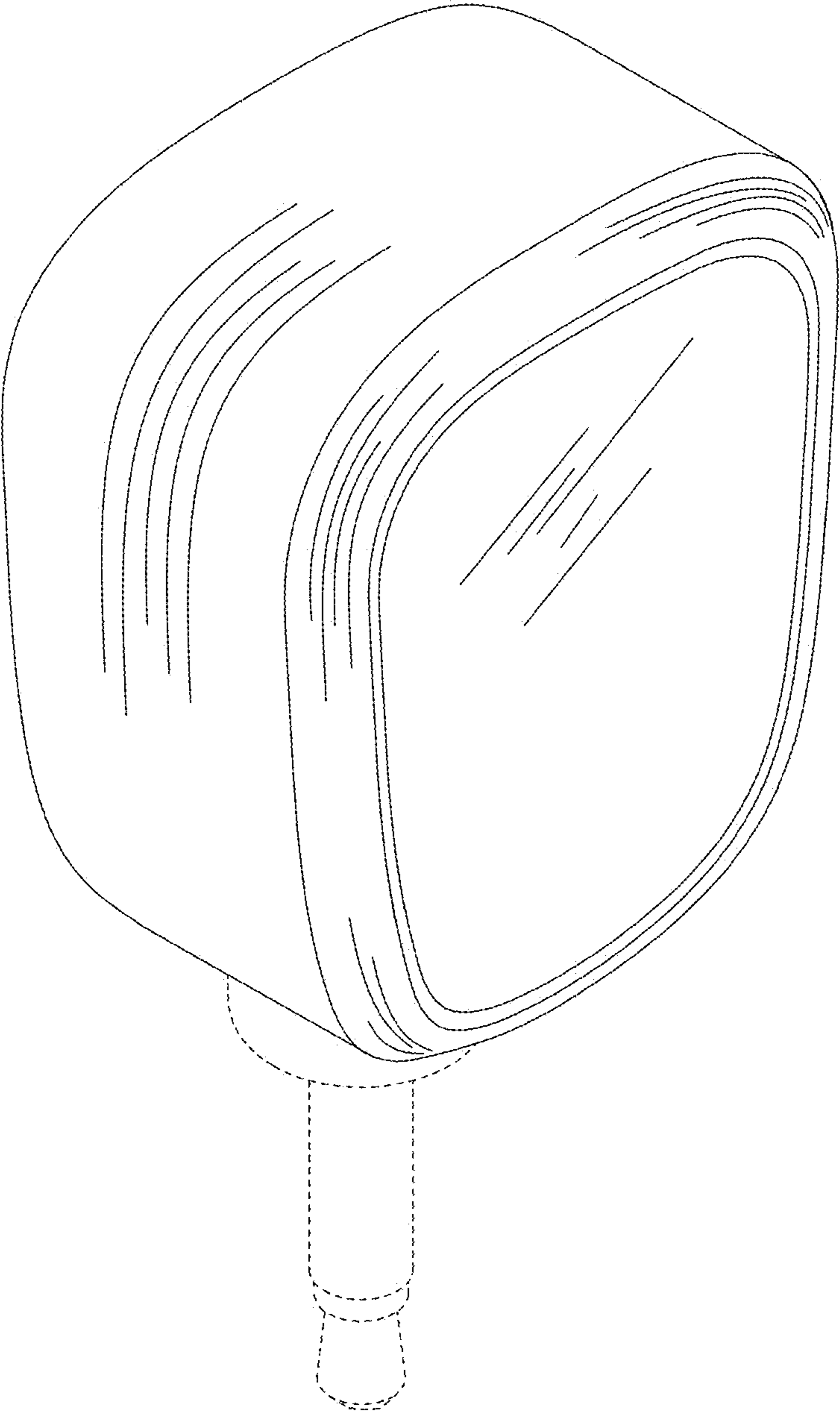


FIG. 1

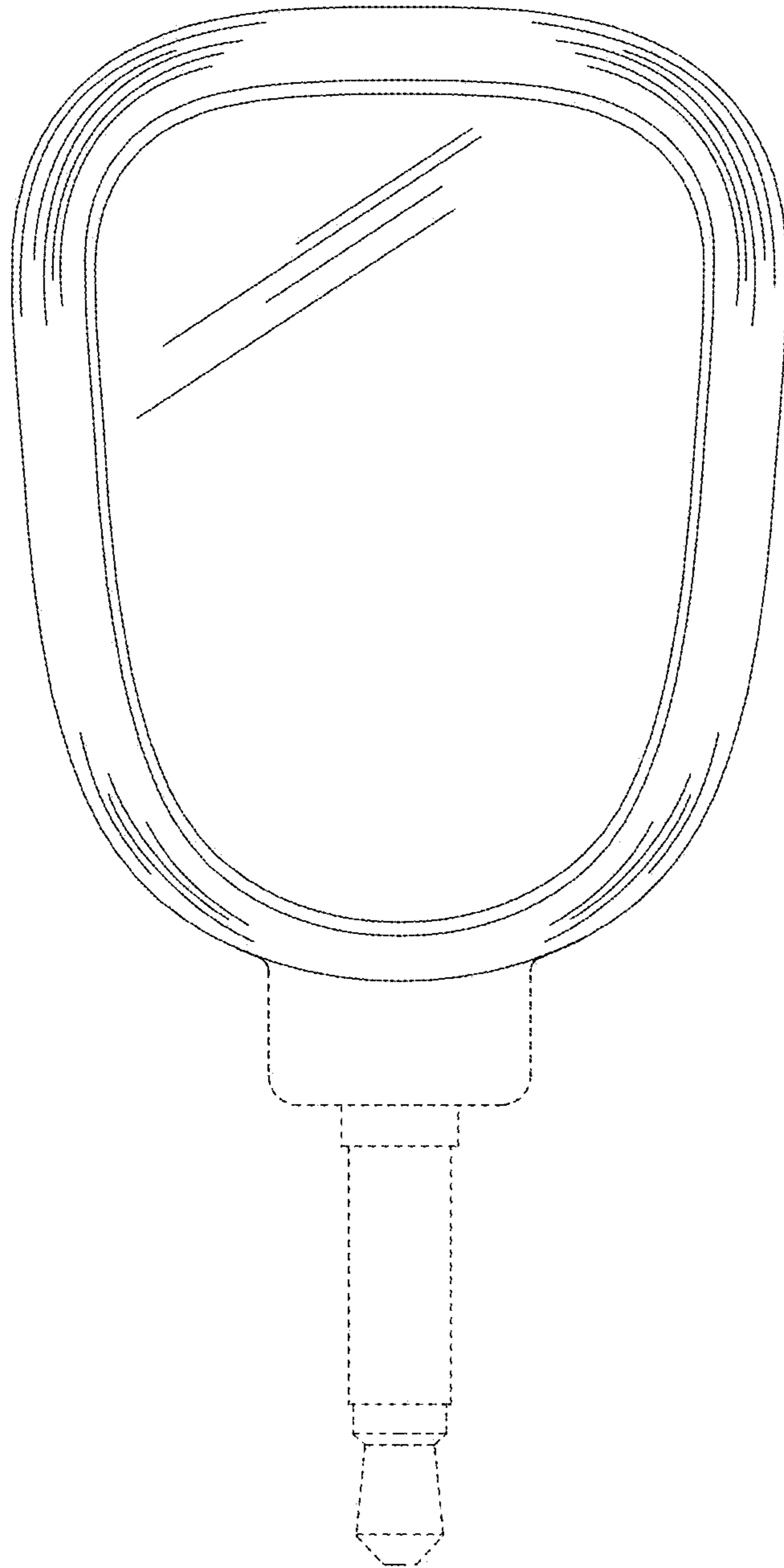


FIG. 2

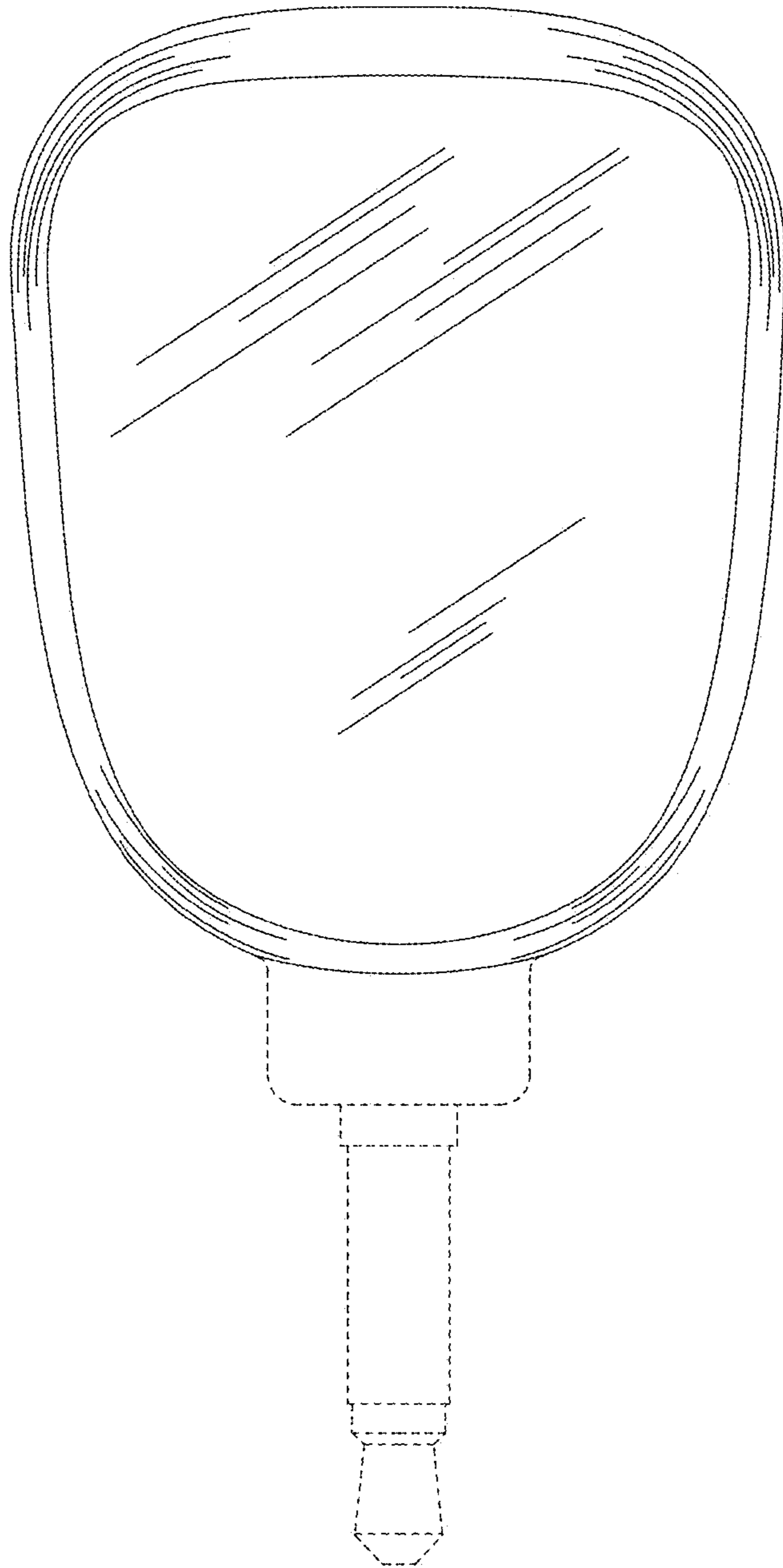


FIG. 3

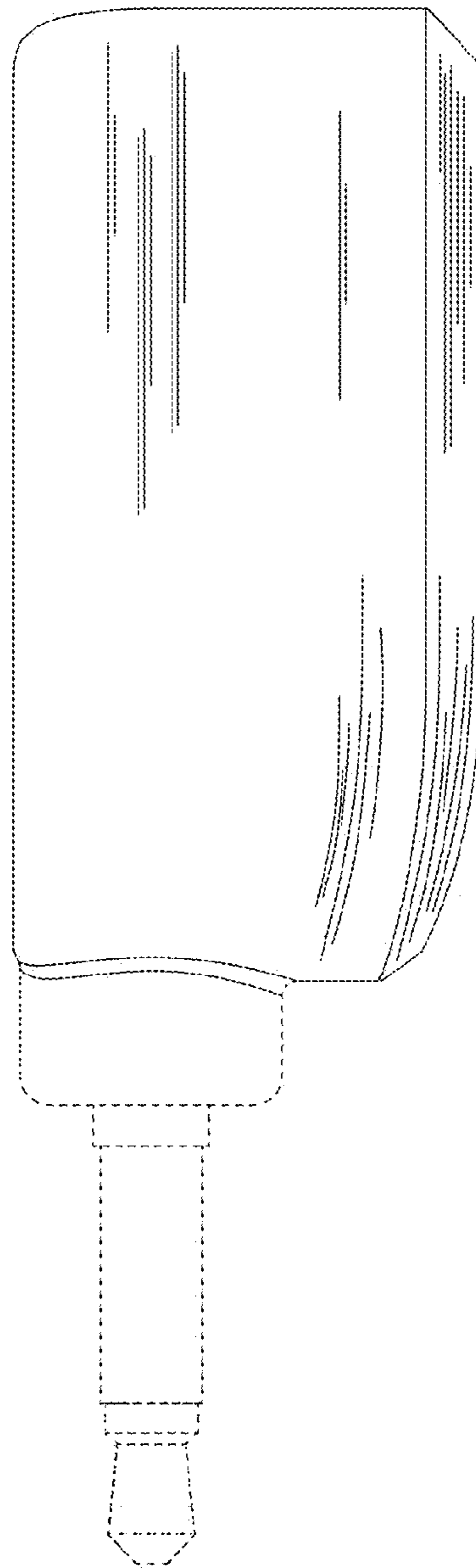


FIG. 4

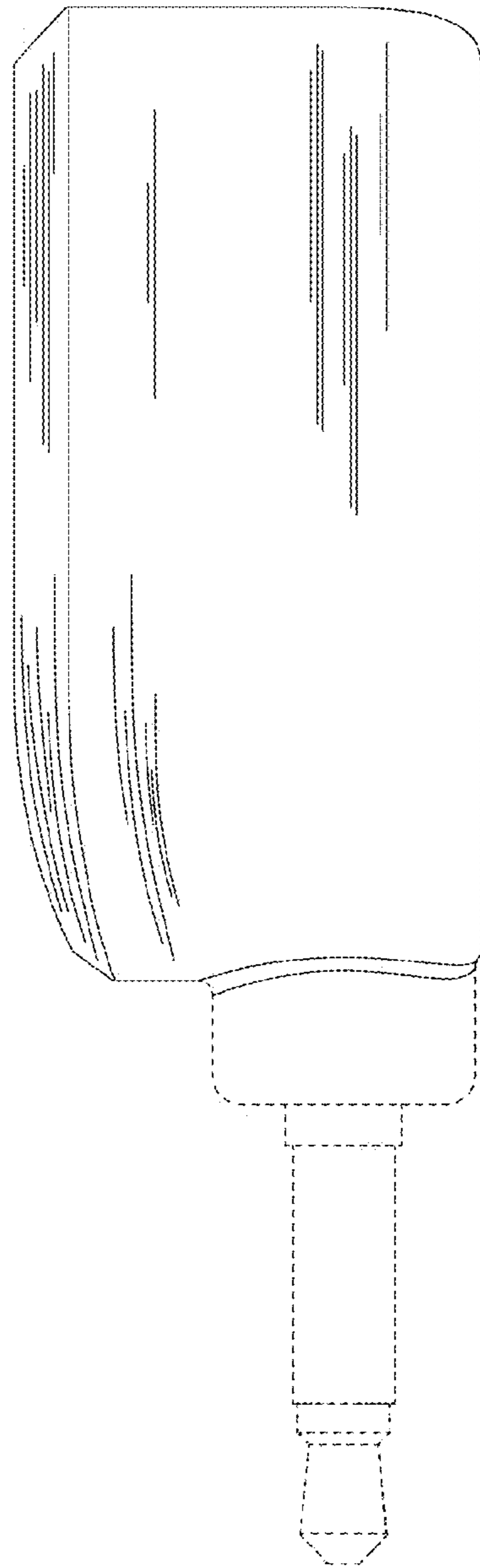


FIG. 5

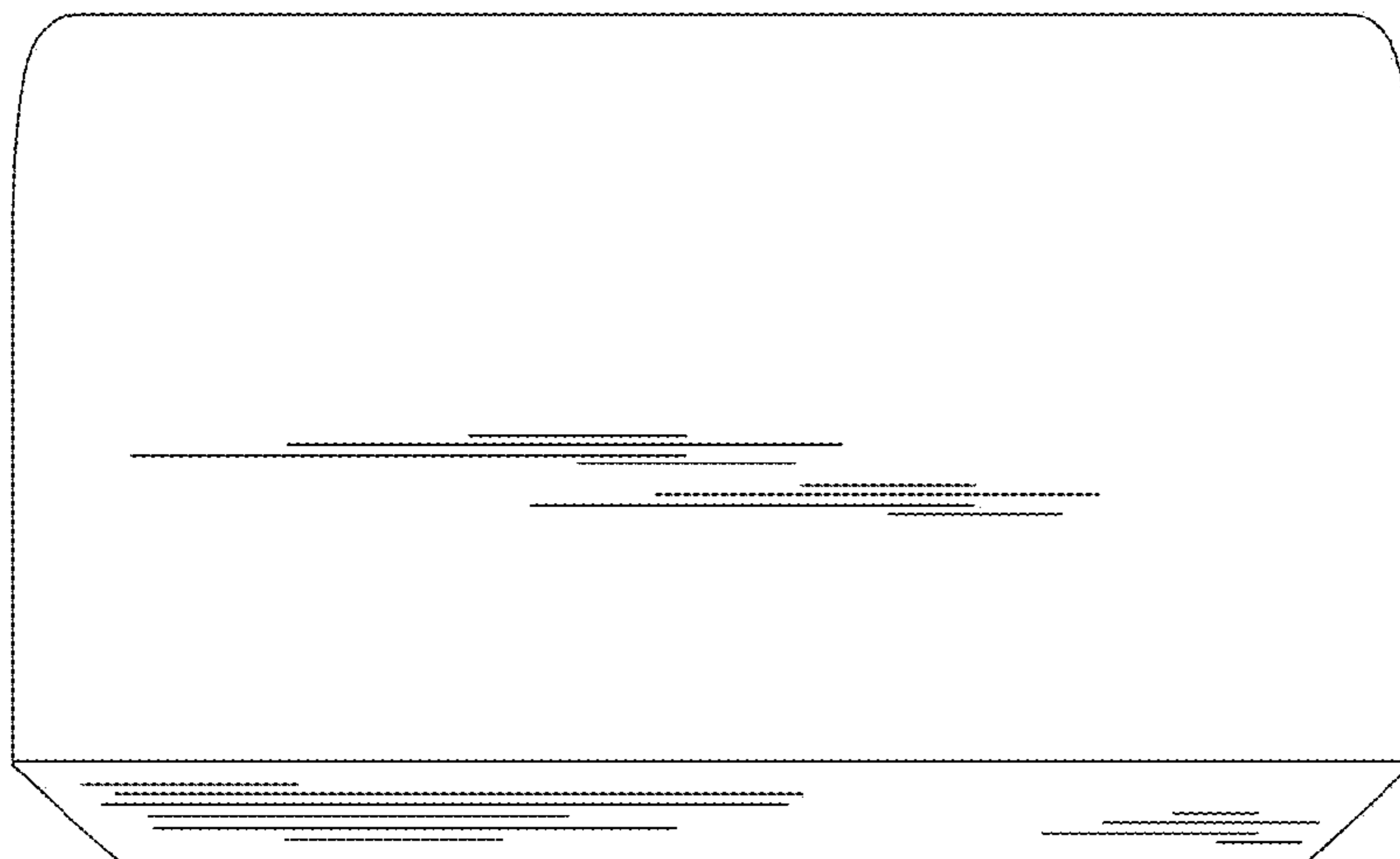


FIG. 6

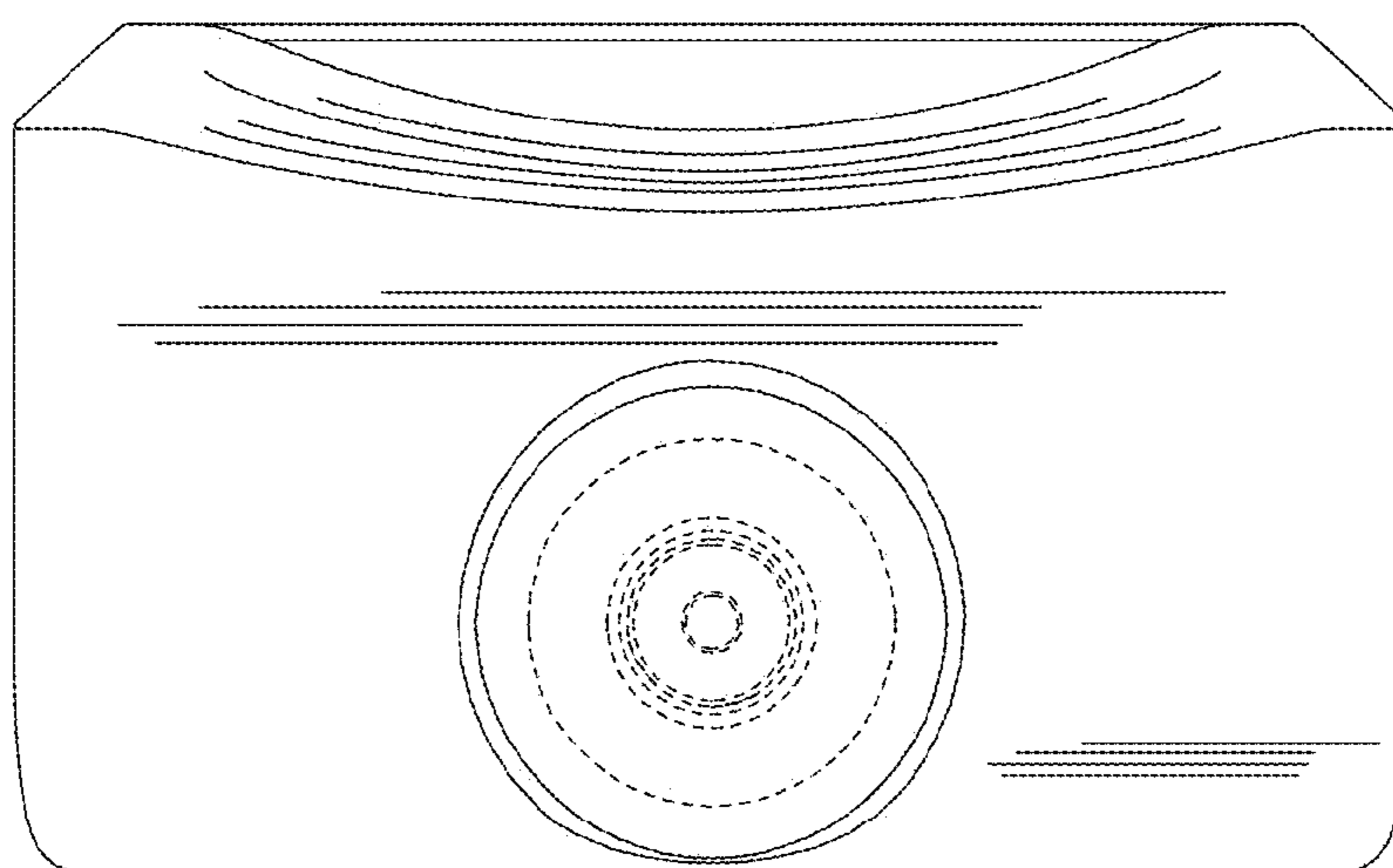


FIG. 7