



US00D739846S

(12) **United States Design Patent**
Castellanos

(10) **Patent No.:** **US D739,846 S**

(45) **Date of Patent:** **** Sep. 29, 2015**

- (54) **PORTABLE SOUND SYSTEM**
- (71) Applicant: **Recreation Sound System LLC**, San Francisco, CA (US)
- (72) Inventor: **Gregory Castellanos**, San Francisco, CA (US)
- (73) Assignee: **Gregory Castellanos**, San Francisco, CA (US)
- (**) Term: **14 Years**
- (21) Appl. No.: **29/494,394**
- (22) Filed: **Jun. 19, 2014**
- (51) **LOC (10) Cl.** **14-01**
- (52) **U.S. Cl.**
USPC **D14/216; D14/496**
- (58) **Field of Classification Search**
USPC D14/167, 168, 170–172, 188, 192, D14/194–196, 204, 207, 209.1, 210–216, D14/219, 221, 222, 224, 496; 181/143, 144, 181/147, 148, 150, 153, 157, 198, 199; 381/300–303, 306, 332, 333, 336, 345, 381/361–364, 386–388; 369/6–12
CPC H04R 1/02; H04R 9/06; H04R 27/00; F04R 1/023; G06F 3/00; G06F 13/00
See application file for complete search history.

5,864,627	A *	1/1999	Kim	381/86
5,933,507	A *	8/1999	Woolley et al.	381/300
7,469,052	B2 *	12/2008	Peavey	381/334
D586,779	S *	2/2009	Lotman et al.	D14/207
7,937,964	B2 *	5/2011	Temple	62/457.1
8,477,953	B2 *	7/2013	Hobson et al.	381/59
D697,138	S *	1/2014	Haswell	D21/327
8,993,867	B2 *	3/2015	Moraes	84/625
D726,687	S *	4/2015	Minarik et al.	D14/216

* cited by examiner

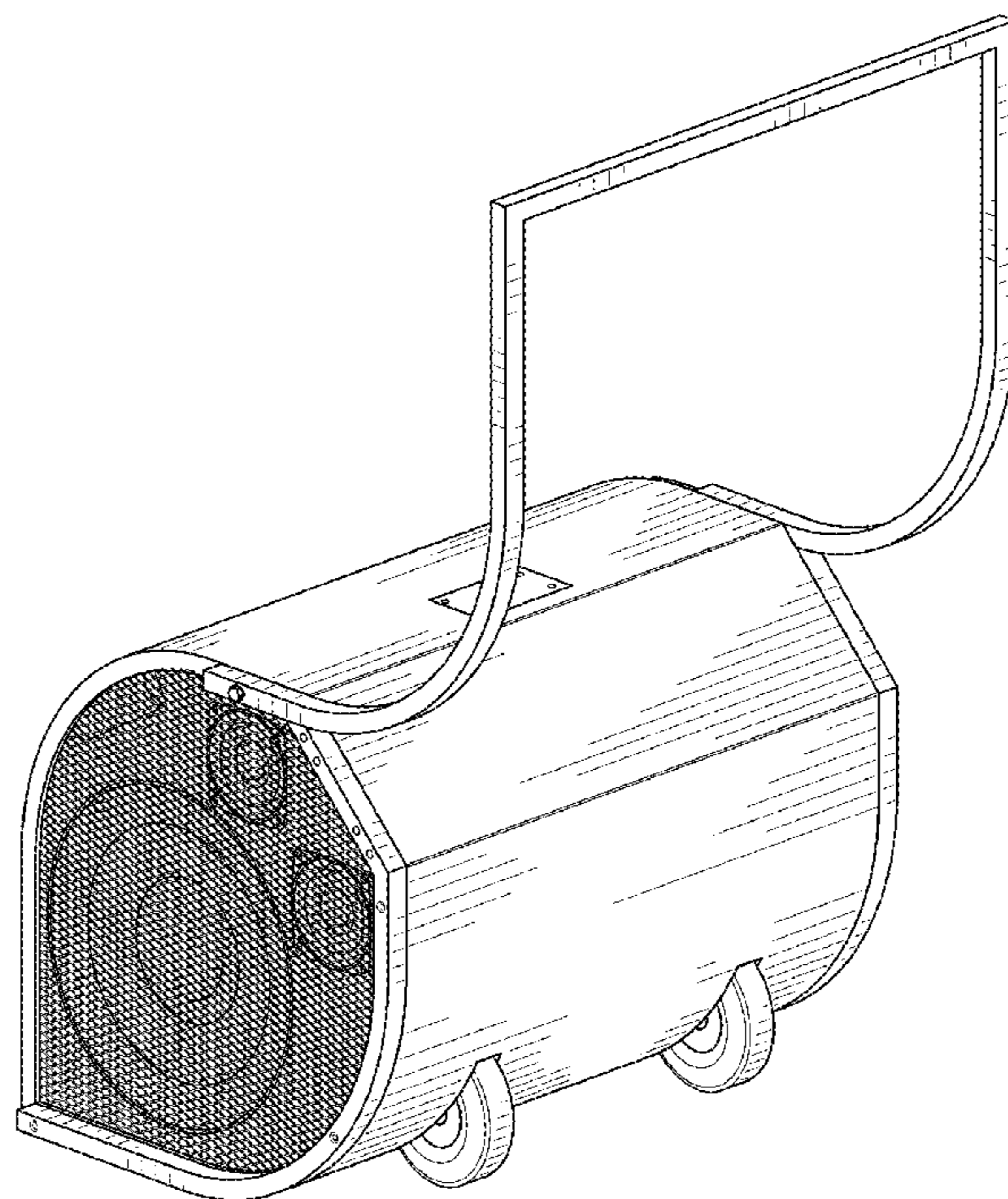
Primary Examiner — Prabhakar Deshmukh

- (56) **References Cited**
U.S. PATENT DOCUMENTS
3,183,305 A * 5/1965 Jespersen 381/334

(57) **CLAIM**
The ornamental design for a portable sound system, as shown and described.

DESCRIPTION
FIG. 1 is a perspective view of a portable sound system, showing my new design;
FIG. 2 is a front view thereof;
FIG. 3 is a back view thereof;
FIG. 4 is a left view thereof;
FIG. 5 is a right view thereof;
FIG. 6 is a top view thereof;
FIG. 7 is a bottom view thereof; and,
FIG. 8 is a left view with a handle of the portable sound system in a down position.

1 Claim, 7 Drawing Sheets



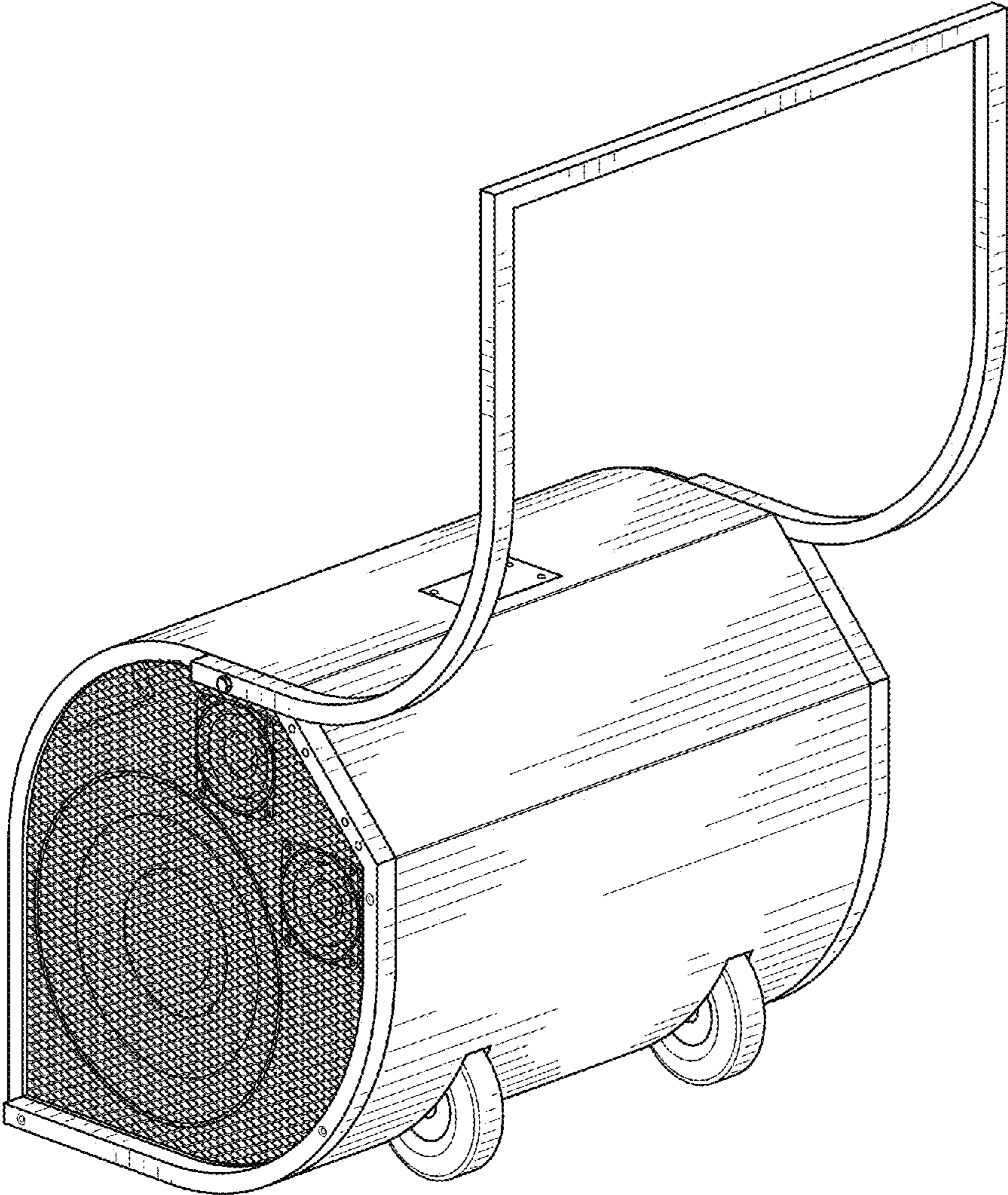


FIG. 1

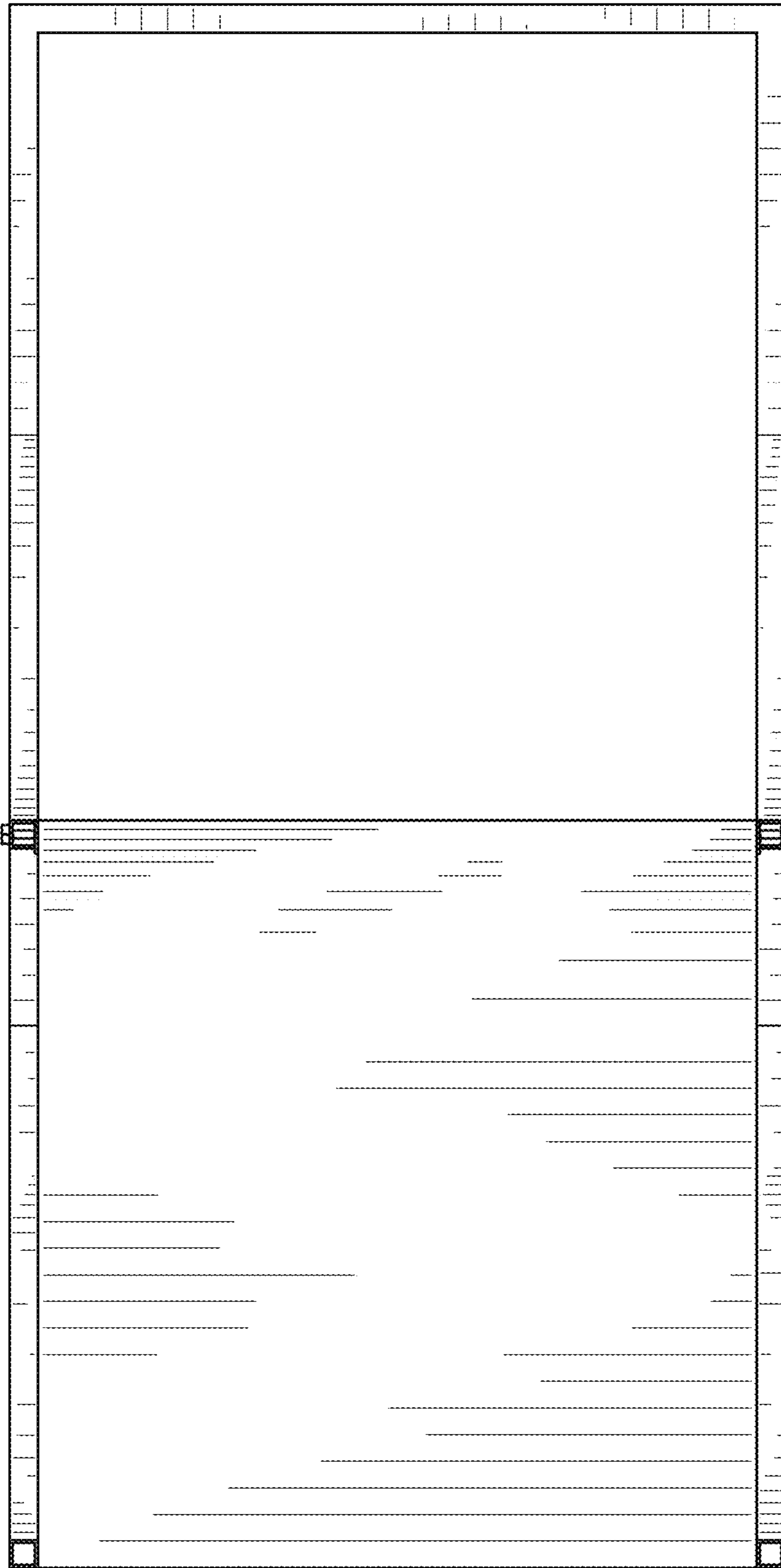


FIG. 2

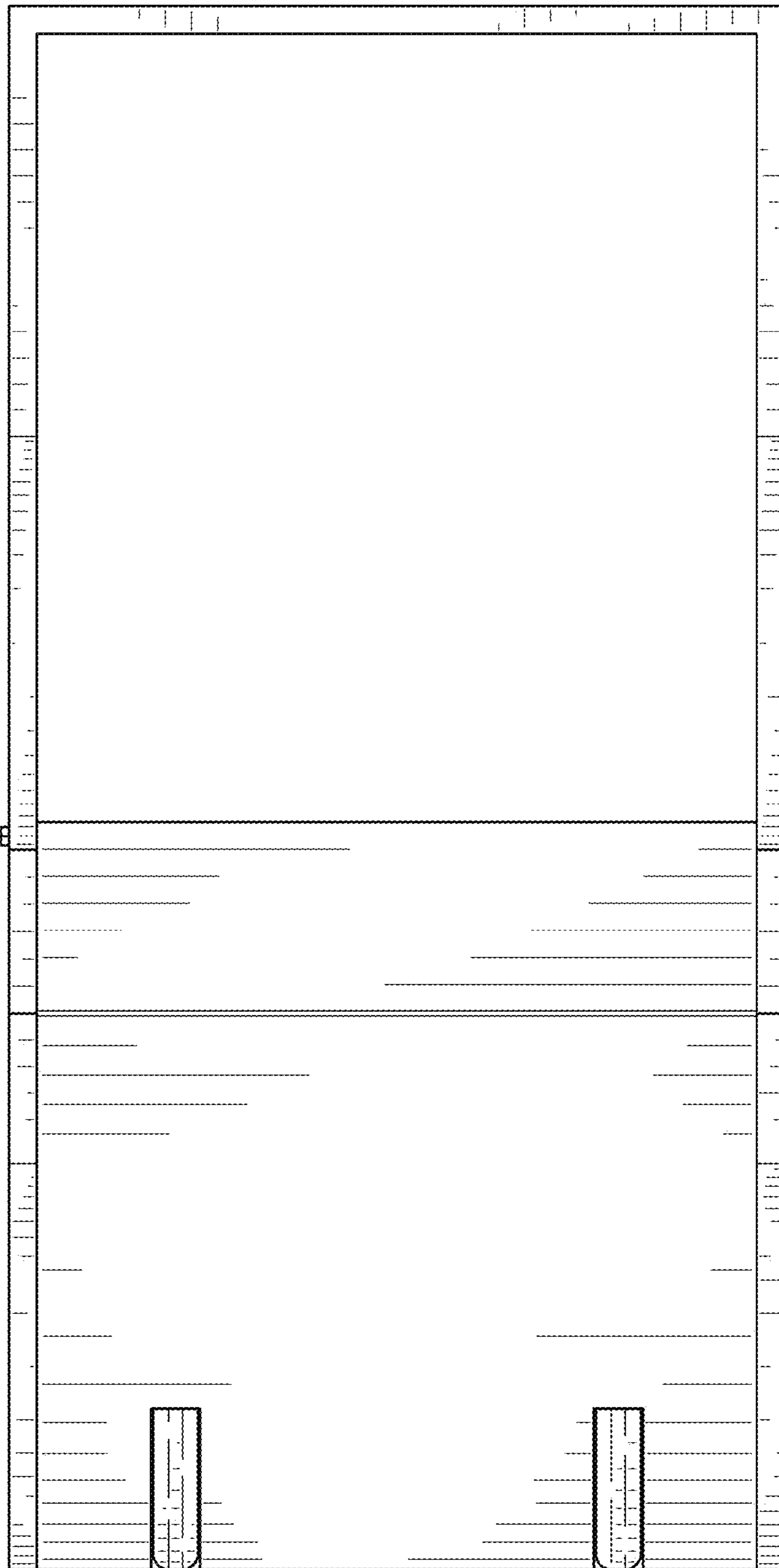


FIG. 3

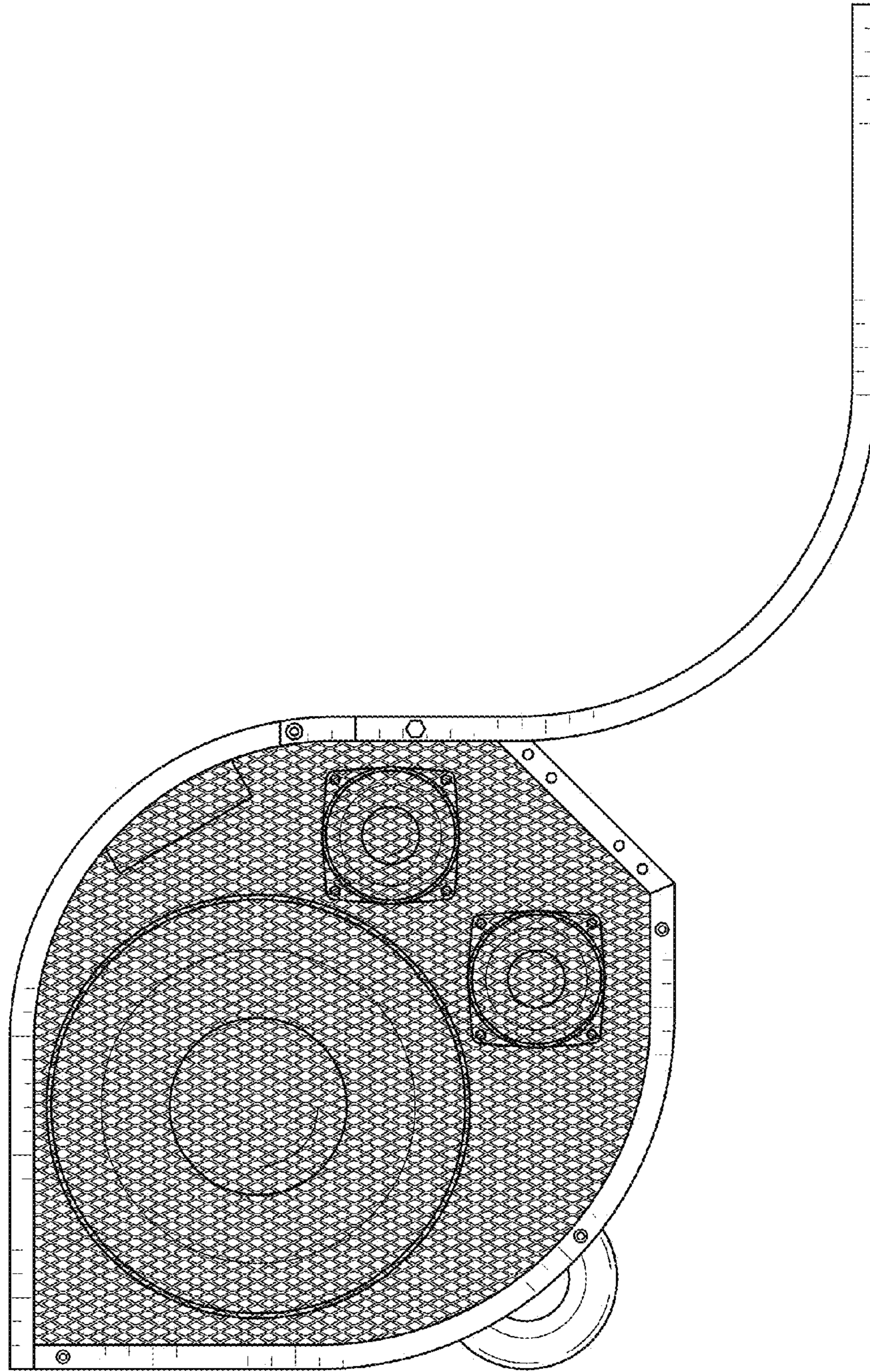


FIG. 4

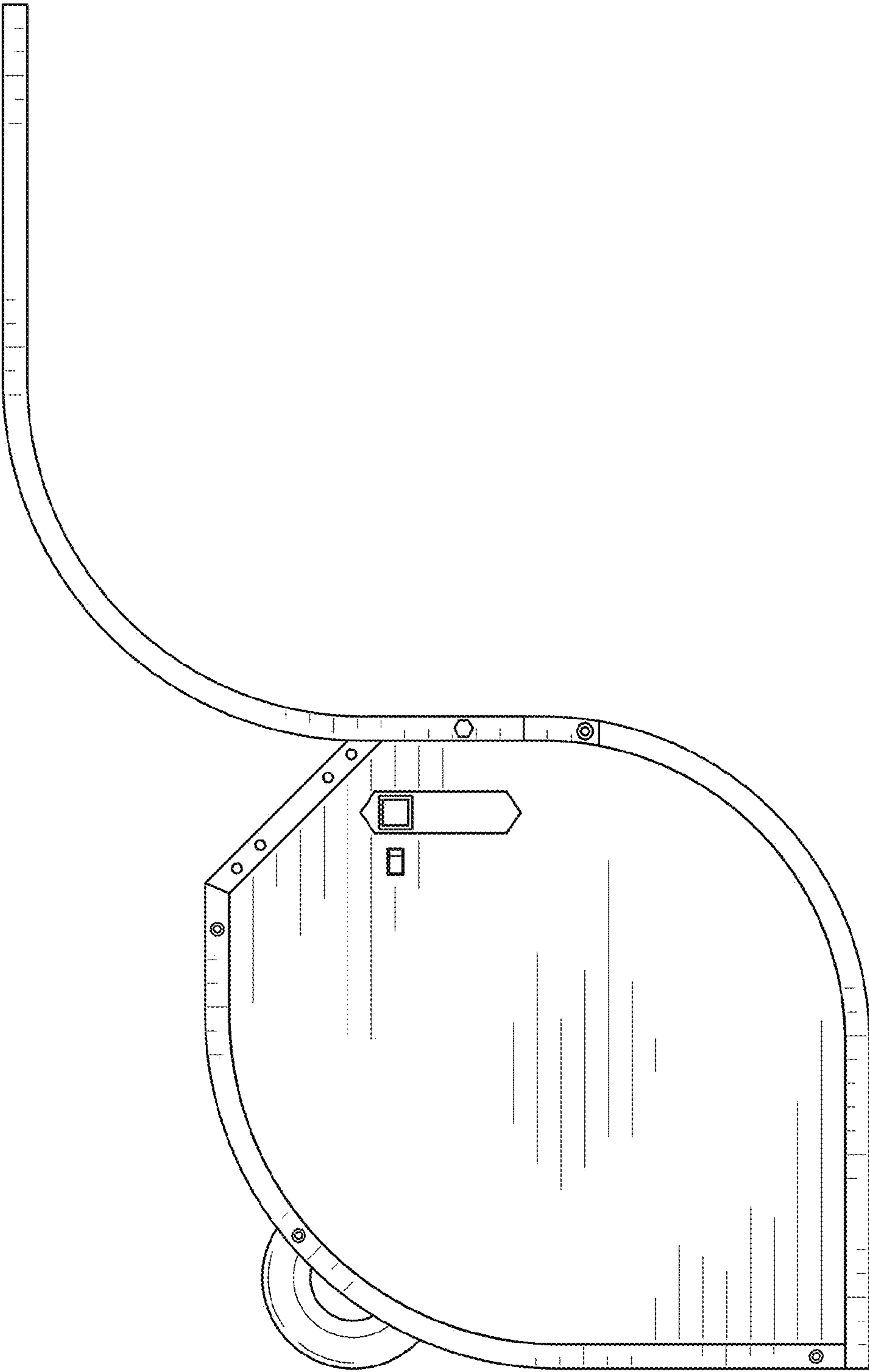


FIG. 5

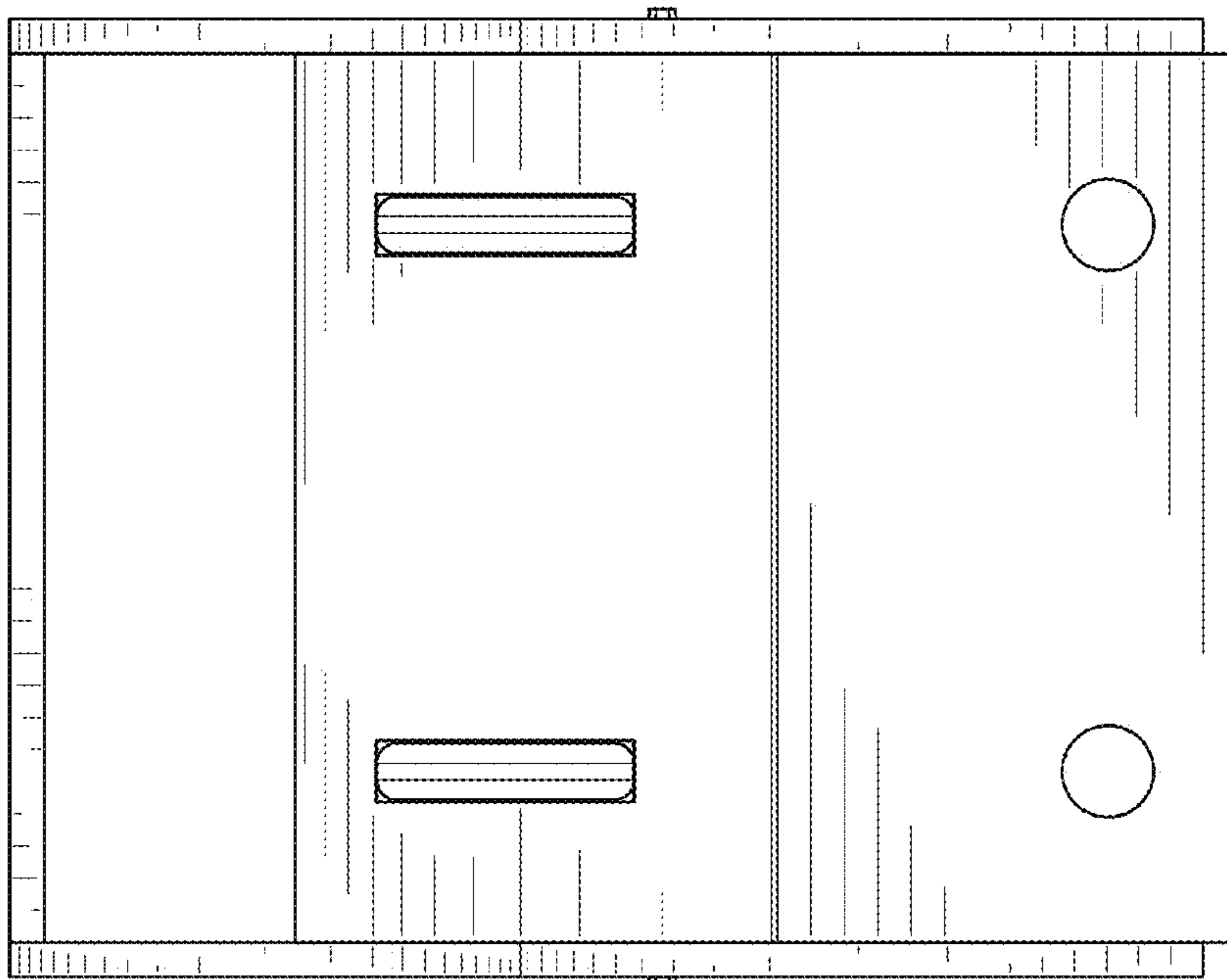


FIG. 7

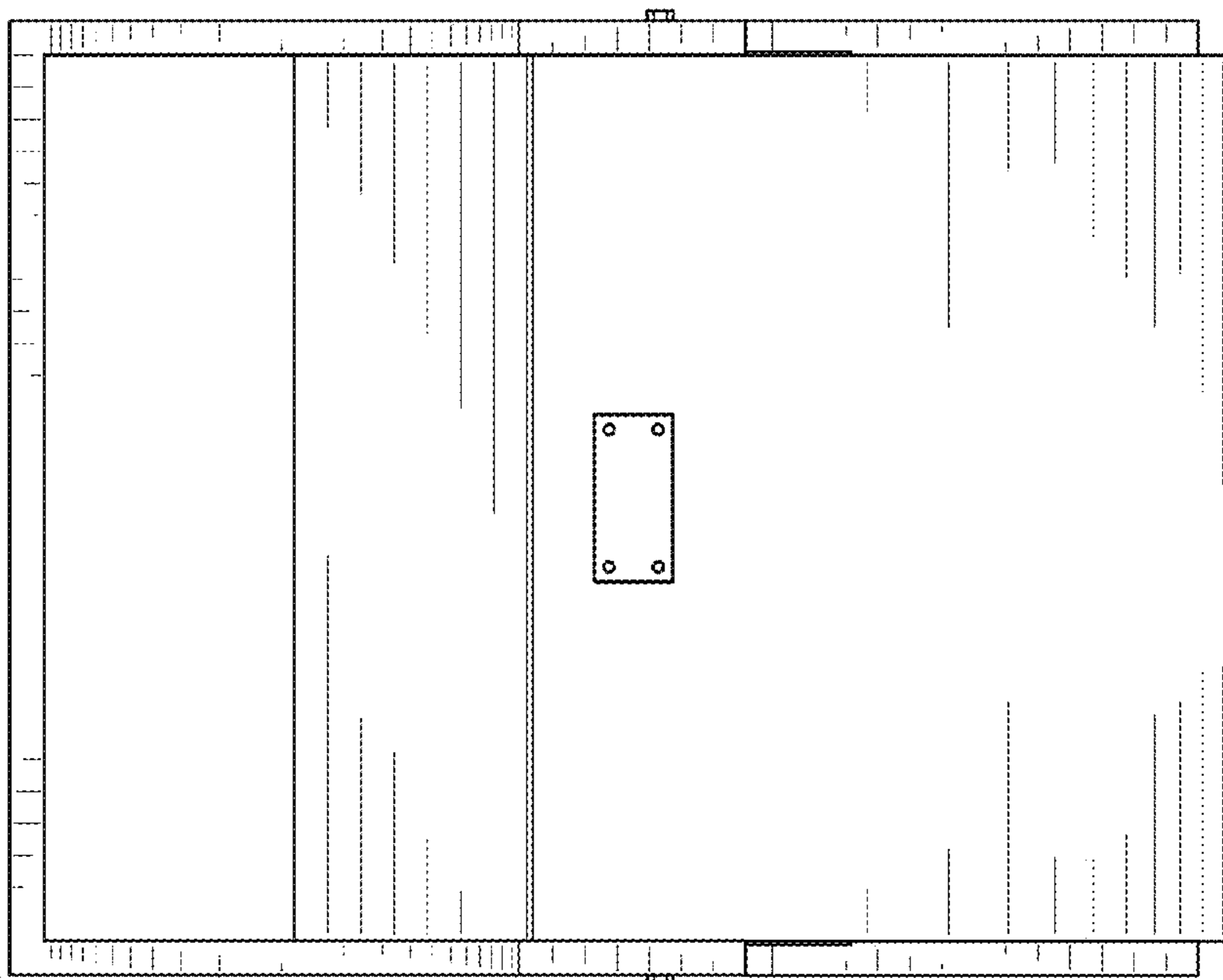


FIG. 6

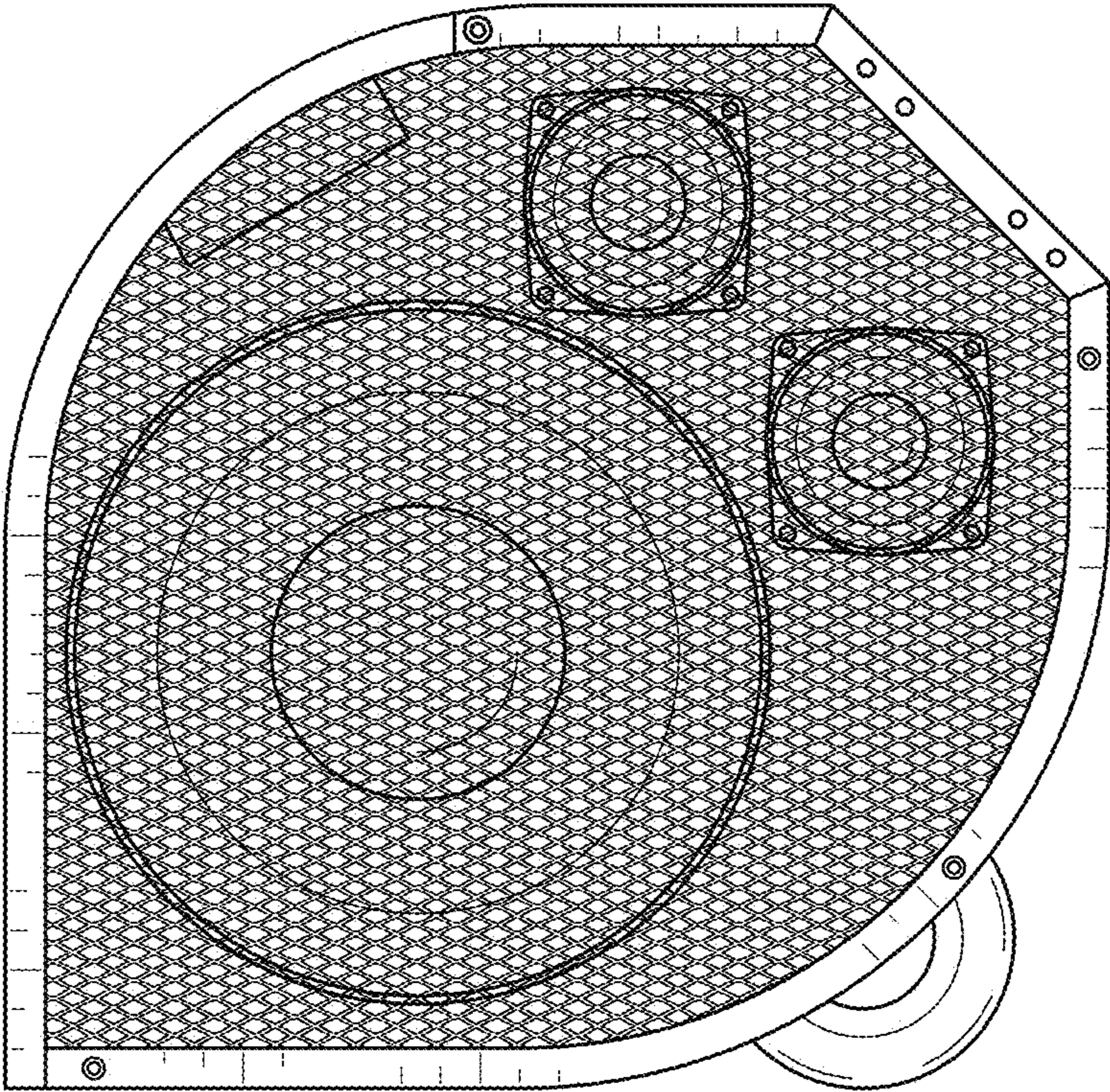


FIG. 8