



US00D739843S

(12) **United States Design Patent**
Daniel

(10) **Patent No.:** **US D739,843 S**
(45) **Date of Patent:** **** Sep. 29, 2015**

(54) **HEADSET WITH IMAGE CAPTURING MEANS**

(71) Applicant: **Isaac S. Daniel**, Miramar, FL (US)

(72) Inventor: **Isaac S. Daniel**, Miramar, FL (US)

(**) Term: **14 Years**

(21) Appl. No.: **29/500,423**

(22) Filed: **Aug. 25, 2014**

(51) **LOC (10) Cl.** **14-01**

(52) **U.S. Cl.**
USPC **D14/205**

(58) **Field of Classification Search**
USPC D14/205, 206, 344, 372; D16/200, 201,
D16/202; 345/7, 8; 181/129, 130, 135;
379/430, 431; 381/380, 381, 374;
455/90.3, 575, 1
CPC G02B 27/017
See application file for complete search history.

(56) **References Cited**

U.S. PATENT DOCUMENTS

2,437,049	A *	3/1948	Salisbury et al.	128/866
D244,300	S *	5/1977	Besasio	D14/205
D254,616	S *	4/1980	Tabata	D14/205
D317,767	S *	6/1991	Banks	D14/205
D328,461	S *	8/1992	Daido et al.	D14/205
D377,174	S *	1/1997	Runquist	D14/206
D411,200	S *	6/1999	Almqvist	D14/192
D413,413	S *	8/1999	Dillon et al.	D29/112

D442,340	S *	5/2001	Leight et al.	D29/112
6,421,031	B1 *	7/2002	Ronzani et al.	345/8
D576,604	S *	9/2008	Suzuki	D14/205
D585,879	S *	2/2009	Schulman	D14/223
D641,725	S *	7/2011	Chong et al.	D14/205
D666,579	S *	9/2012	Hou	D14/205
8,295,529	B2 *	10/2012	Petersen et al.	381/374
D673,518	S *	1/2013	Tan	D14/205
D704,706	S *	5/2014	Serota	D14/372
8,755,555	B2 *	6/2014	Dougherty et al.	381/378
D717,276	S *	11/2014	Zhou	D14/205
D722,998	S *	2/2015	Sancho et al.	D14/205
8,988,315	B2 *	3/2015	Mukawa et al.	345/8
D727,288	S *	4/2015	Yamasaki et al.	D14/205
2009/0205110	A1 *	8/2009	Chiang	2/209

* cited by examiner

Primary Examiner — Paula Greene

(74) *Attorney, Agent, or Firm* — Carol N. Green Kaul, Esq.

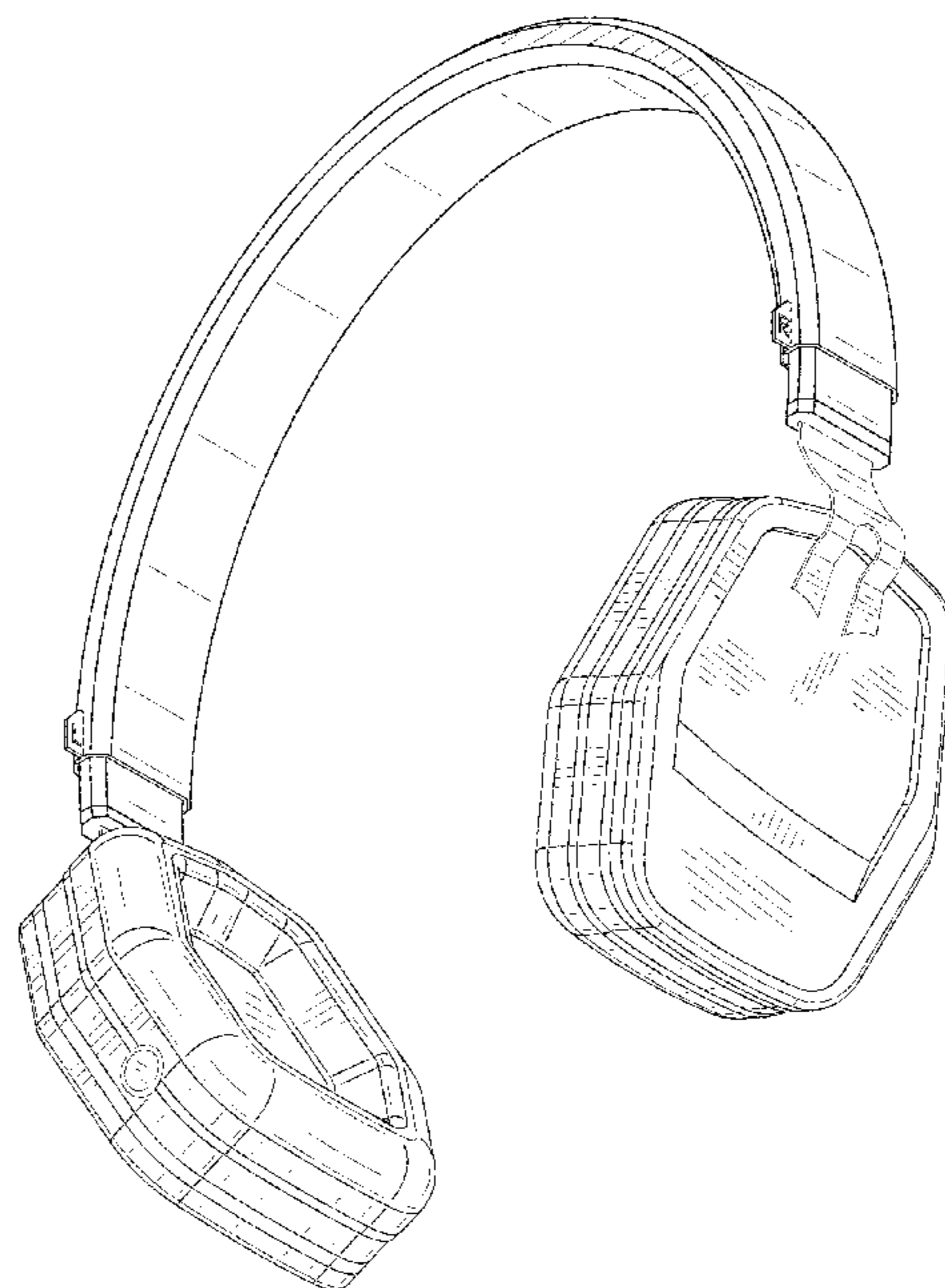
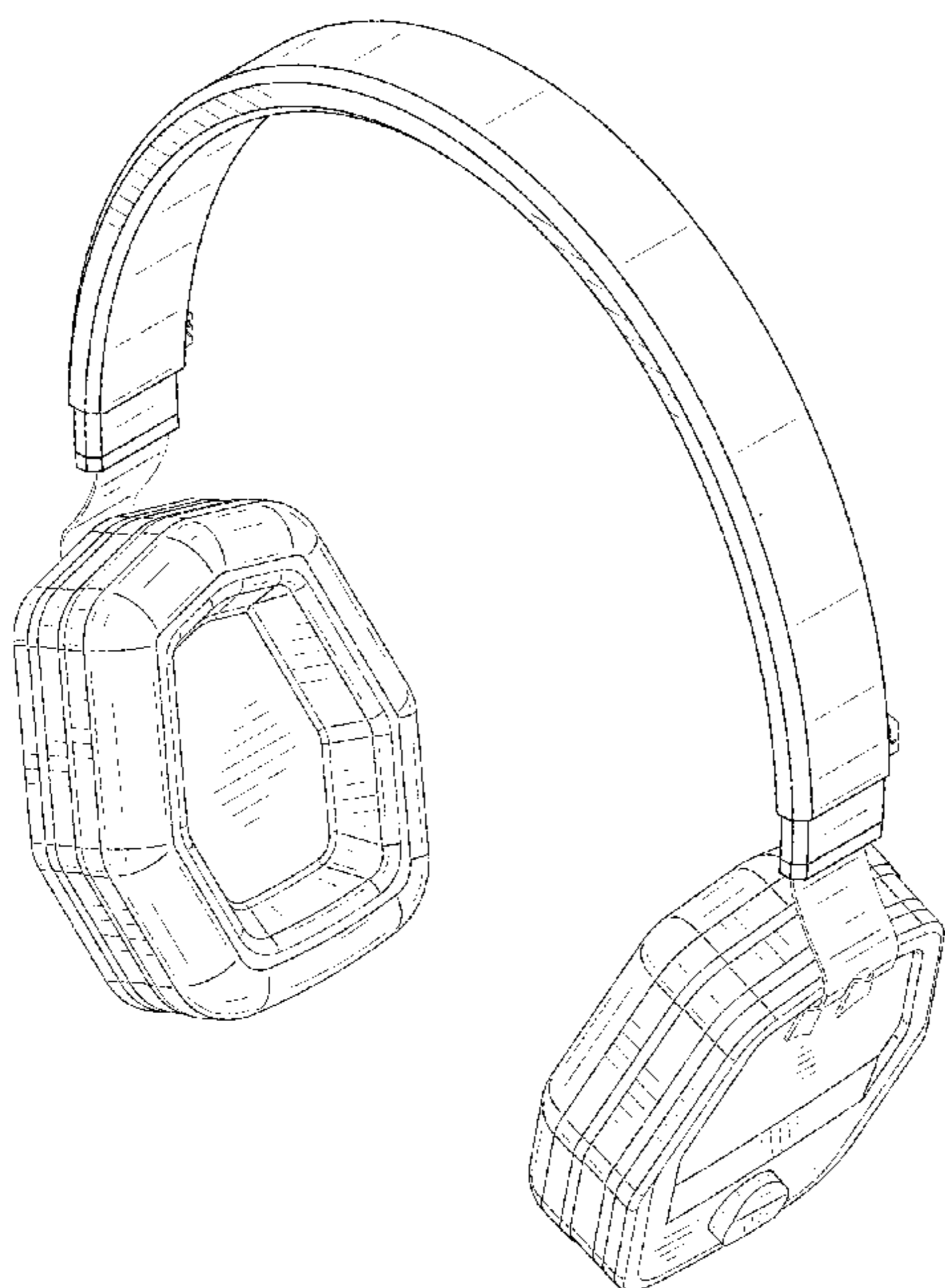
(57) **CLAIM**

The ornamental design for a headset with image capturing means, as shown and described.

DESCRIPTION

FIG. 1 is a rear perspective view of the invention.
FIG. 2 is a front perspective view of the invention.
FIG. 3 is a top perspective view of the invention.
FIG. 4 is a bottom plan view of the invention.
FIG. 5 is a right side perspective view of the invention.
FIG. 6 is a left side perspective view of the invention.
FIG. 7 is a rear elevation view of the invention; and,
FIG. 8 is a front elevation view of the invention.

1 Claim, 6 Drawing Sheets



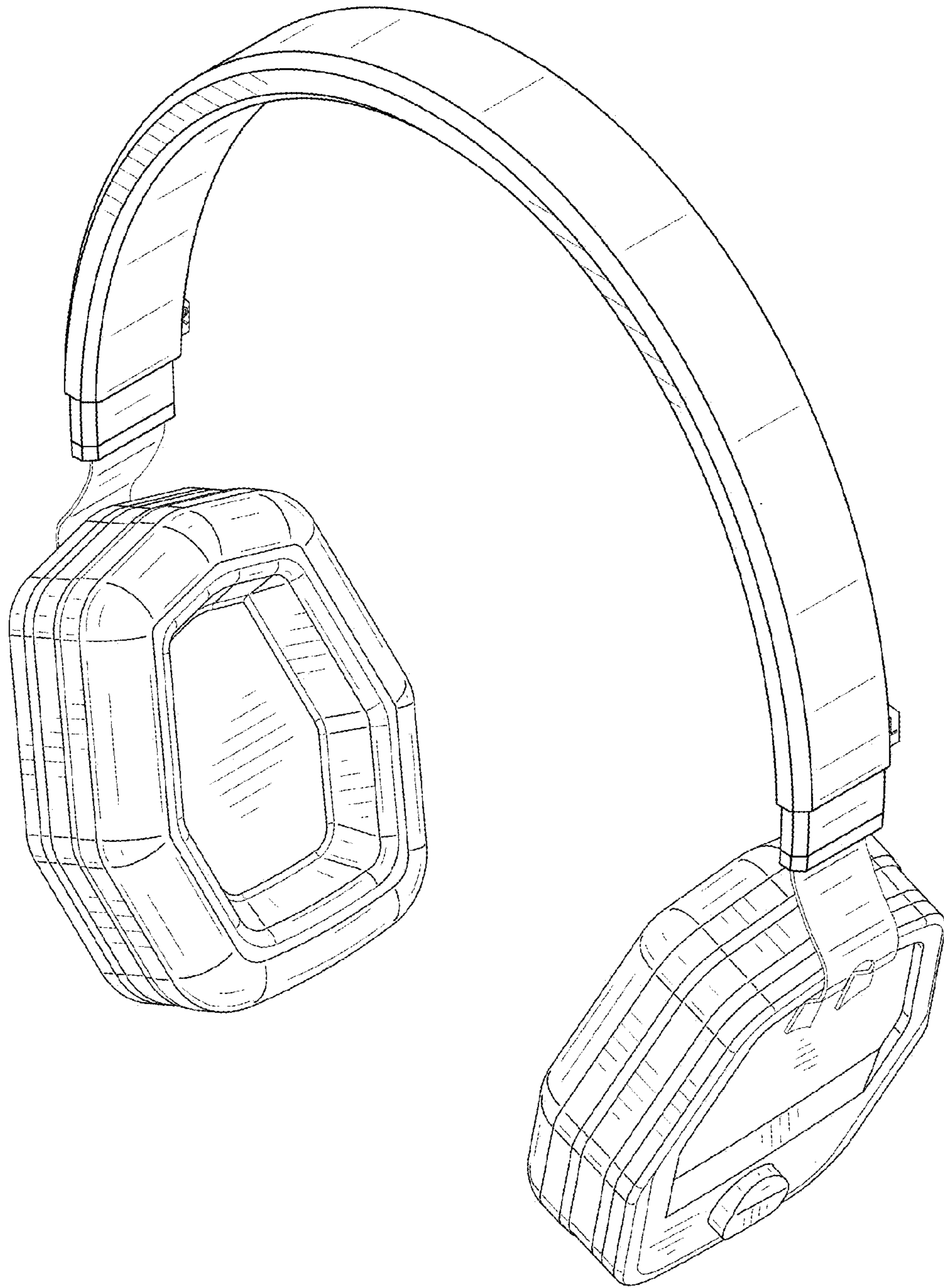


FIG. 1

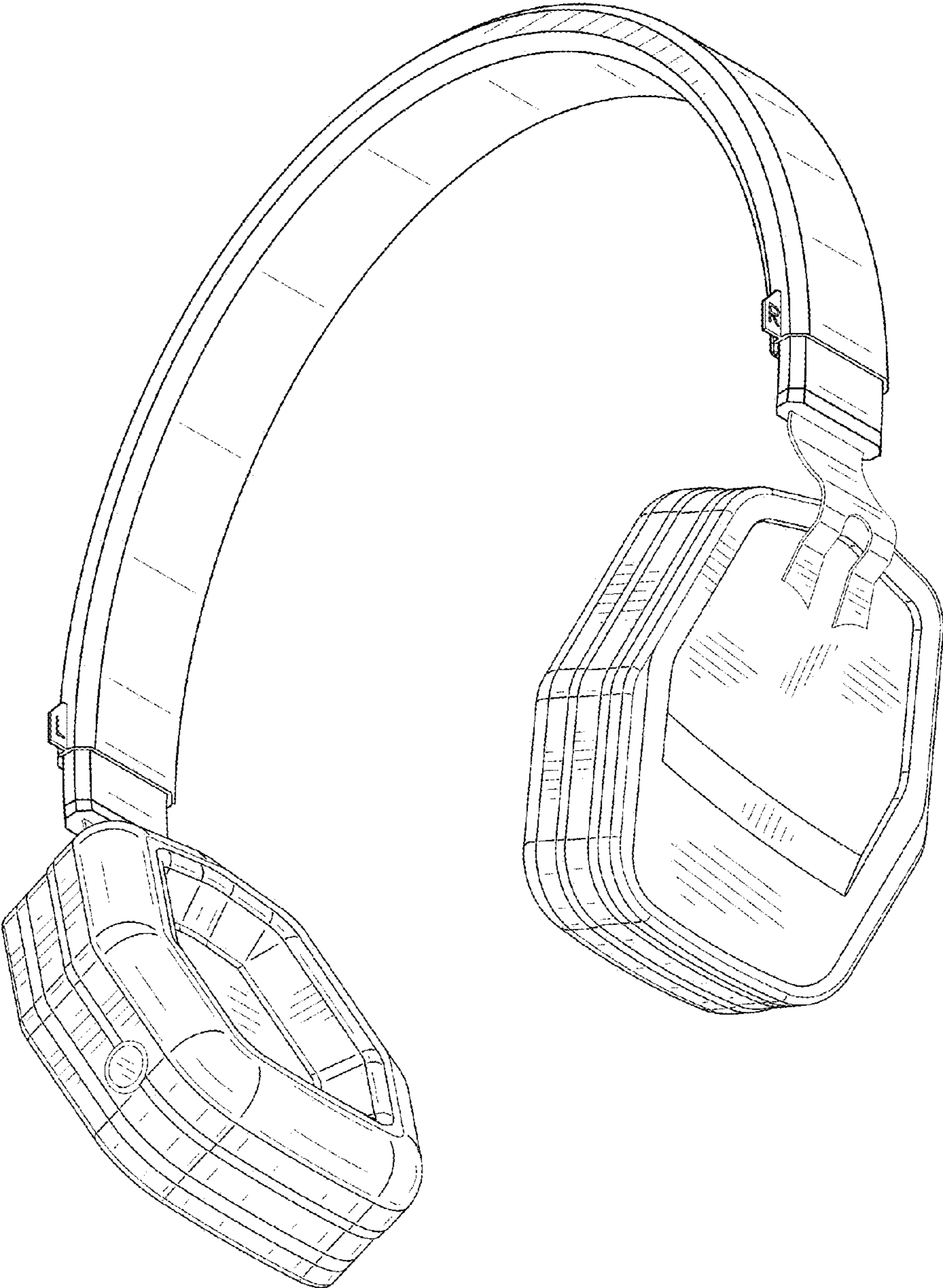


FIG. 2

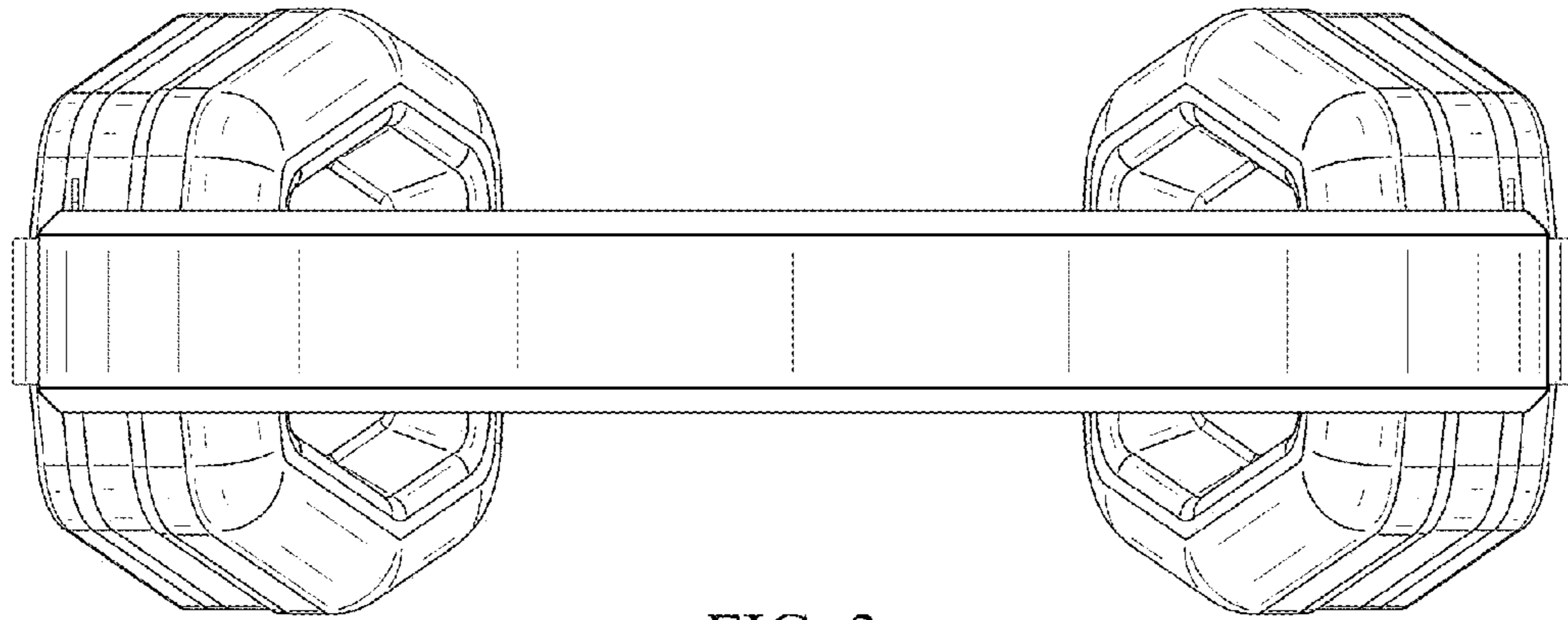


FIG. 3

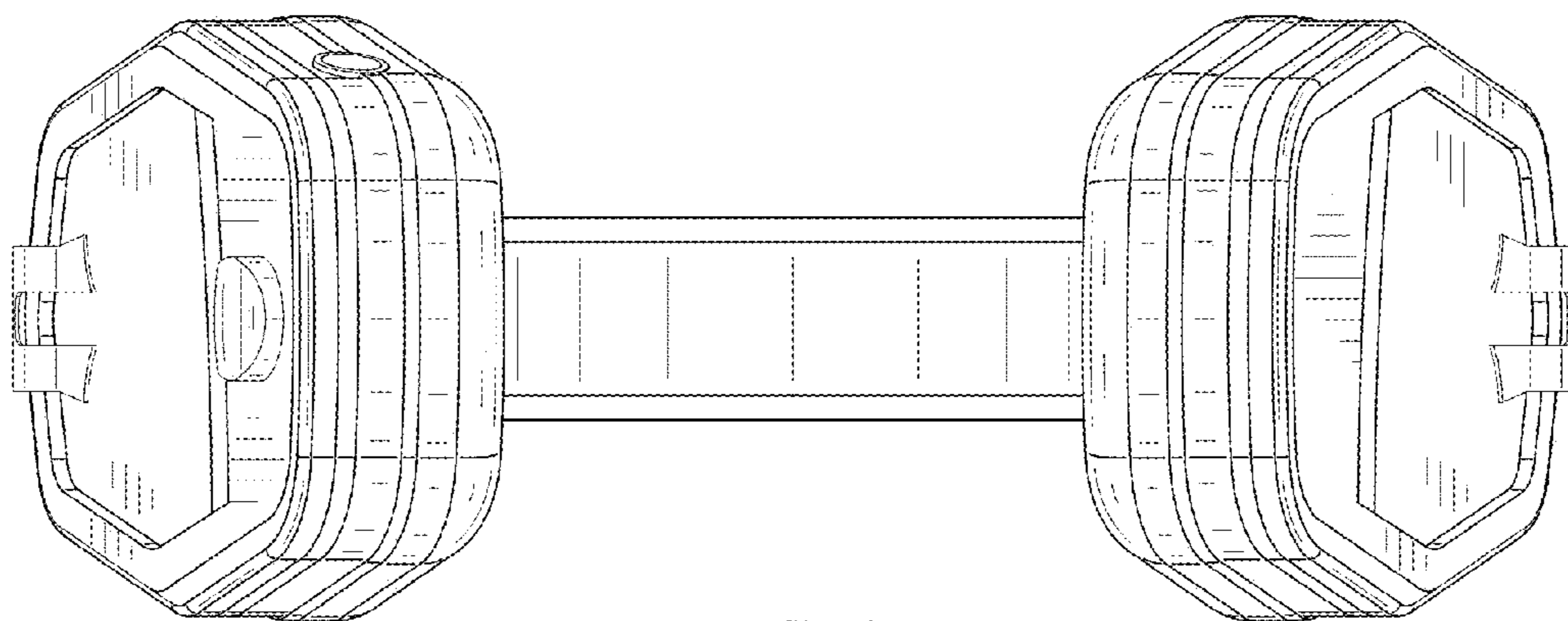


FIG. 4

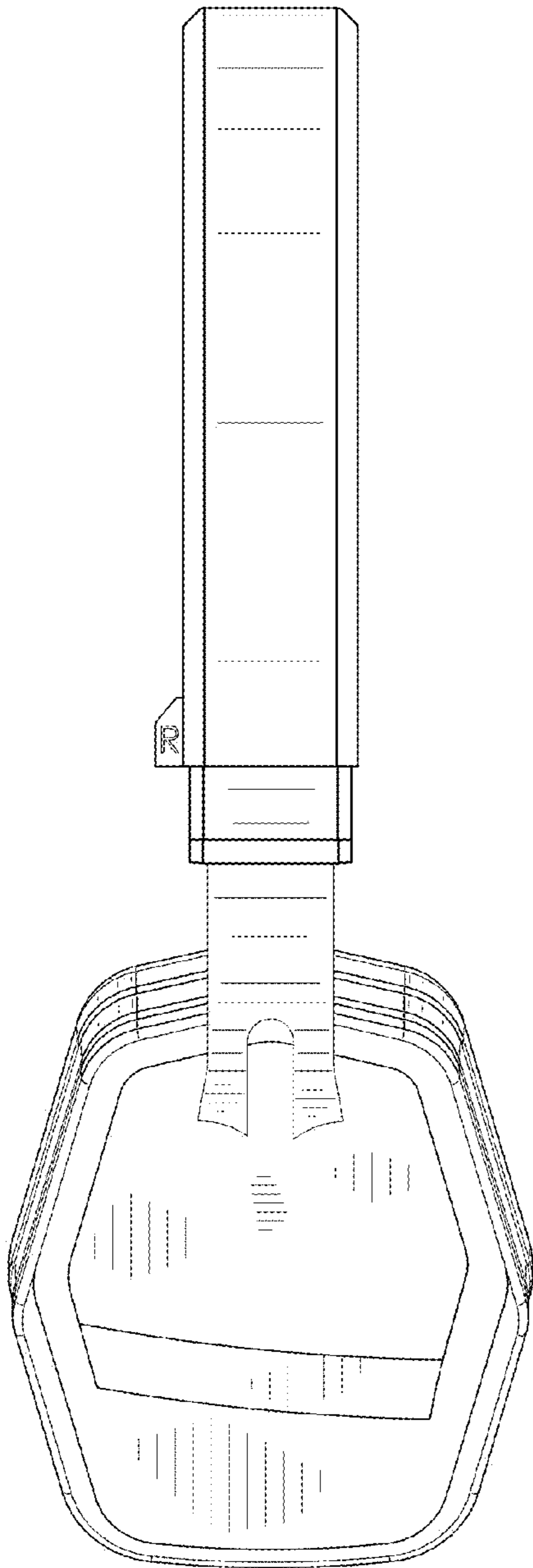


FIG. 5

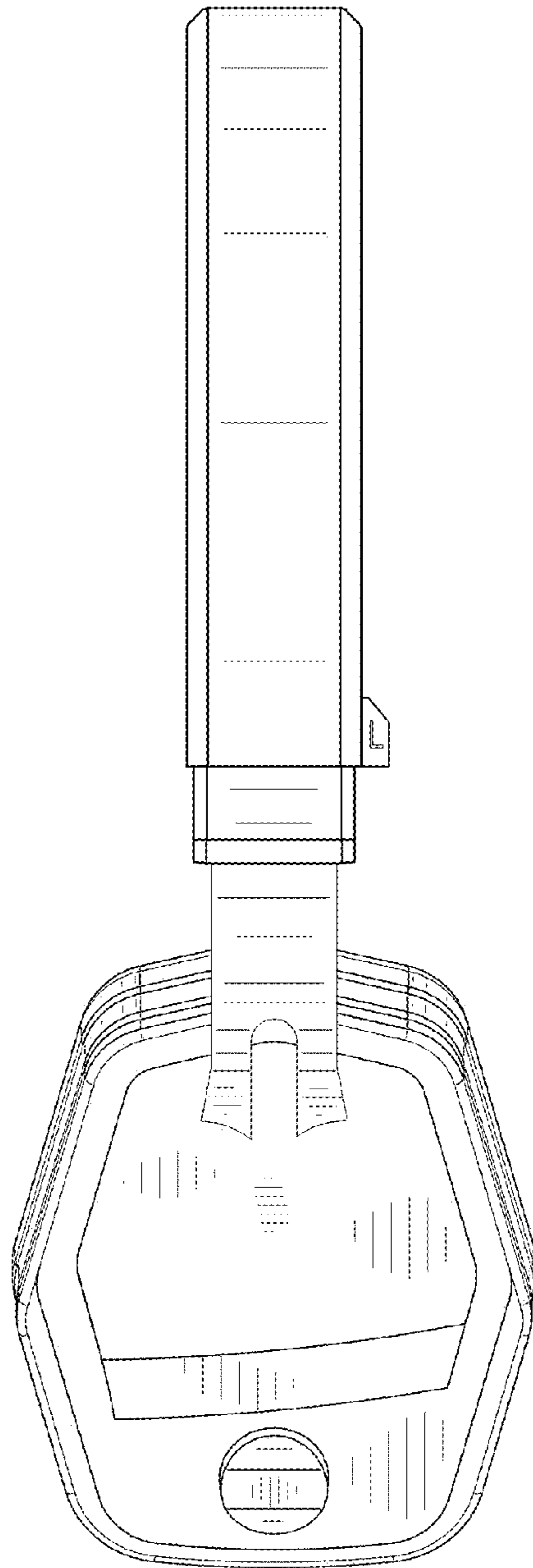


FIG. 6

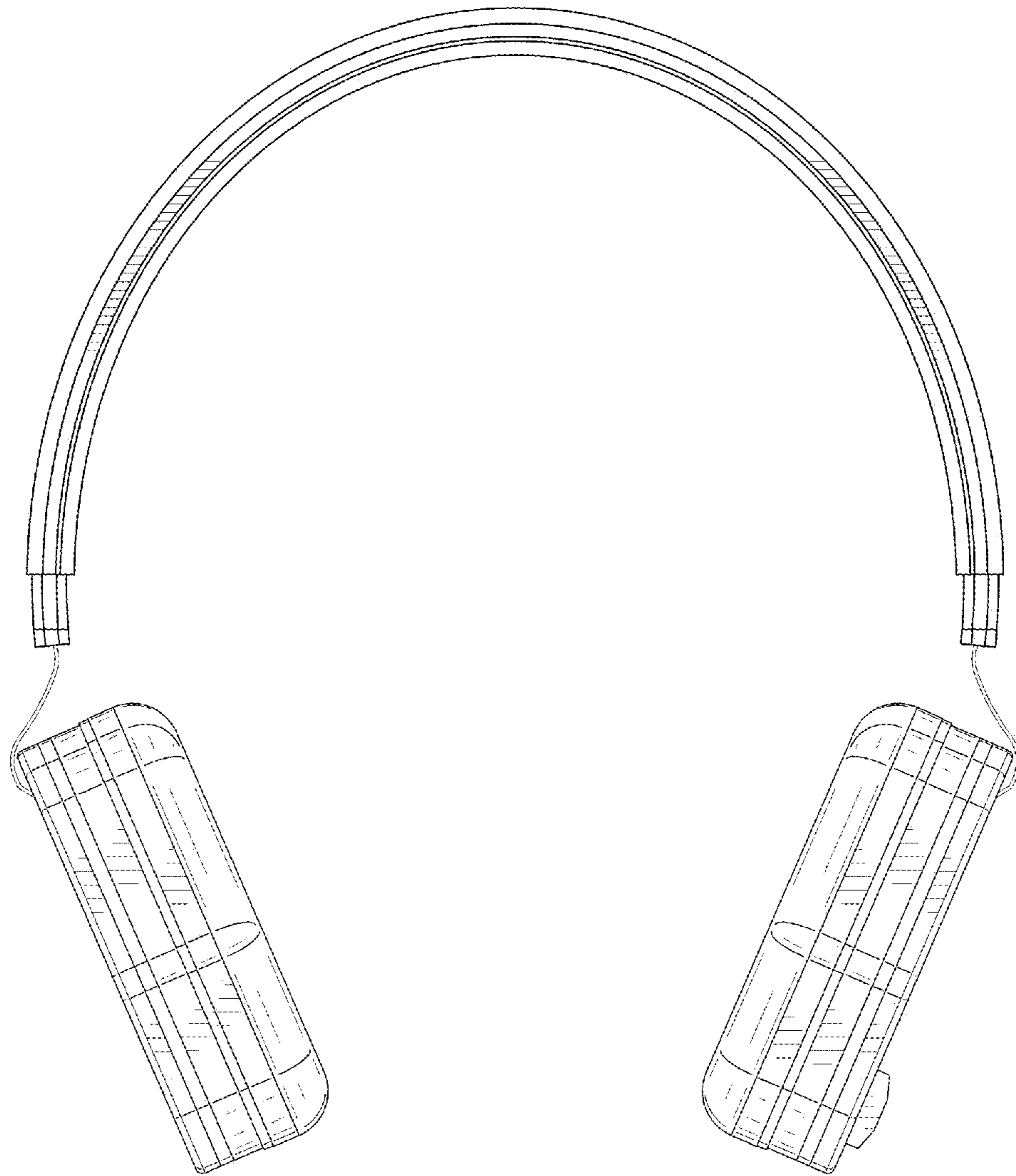


FIG. 7

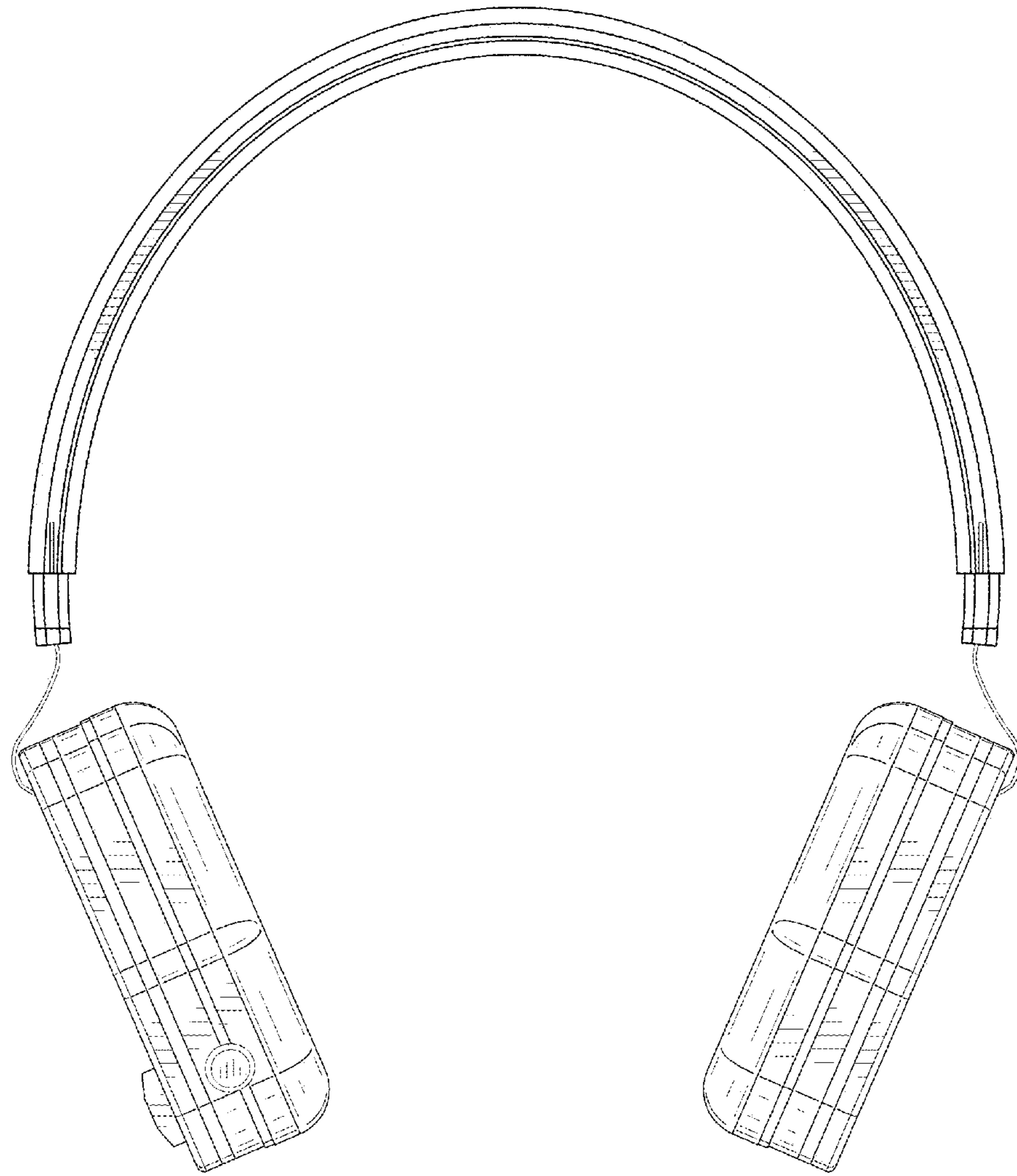


FIG. 8