



US00D739831S

(12) **United States Design Patent**  
**Takagi et al.**

(10) **Patent No.:** **US D739,831 S**

(45) **Date of Patent:** **\*\* Sep. 29, 2015**

(54) **BOAT FOR SUBSTRATE PROCESSING APPARATUS**

(56) **References Cited**

(71) Applicant: **Hitachi Kokusai Electric Inc.**, Tokyo (JP)

(72) Inventors: **Kosuke Takagi**, Toyama (JP); **Kiyohiko Maeda**, Toyama (JP); **Yuji Urano**, Toyama (JP); **Naoki Matsumoto**, Toyama (JP); **Yasuaki Komae**, Toyama (JP)

(73) Assignee: **HITACHI KOKUSAI ELECTRIC INC.** (JP)

(\*\*) Term: **14 Years**

(21) Appl. No.: **29/467,533**

(22) Filed: **Sep. 20, 2013**

(30) **Foreign Application Priority Data**

Mar. 22, 2013 (JP) ..... 2013-006365

(51) **LOC (10) Cl.** ..... **13-03**

(52) **U.S. Cl.**  
USPC ..... **D13/182**

(58) **Field of Classification Search**  
USPC ..... D13/182; 118/715, 500, 728, 729; 211/41.18; 432/253, 258; 156/345.51, 156/345.52, 345.53, 345.55; 414/217, 414/220.01, 935-941  
CPC ..... C23C 16/458; C23C 16/4581; C23C 16/4582; C23C 16/4583; C23C 16/4584; C23C 16/4586; C23C 16/4587; C23C 16/4588; C30B 31/14; H01L 21/673; H01L 21/67303; H01L 21/67306; H01L 21/67309; H01L 21/67313; H01L 21/67316; H01L 21/67323; H01L 21/67326; H01L 21/6733  
See application file for complete search history.

U.S. PATENT DOCUMENTS

D361,752 S *	8/1995	Yamaga	.....	D13/182
D366,868 S *	2/1996	Ohsawa	.....	D13/182
D378,675 S *	4/1997	Iwai	.....	D13/182
D378,823 S *	4/1997	Watanabe et al.	.....	D15/140
D380,454 S *	7/1997	Iwai et al.	.....	D13/182
5,752,609 A *	5/1998	Kato et al.	.....	211/41.18
D404,015 S *	1/1999	Honma	.....	D13/182
D404,371 S *	1/1999	Shimazu	.....	D13/182
5,897,311 A *	4/1999	Nishi	.....	432/239
D409,158 S *	5/1999	Shimazu	.....	D13/182
D411,176 S *	6/1999	Shimazu	.....	D13/182
6,062,853 A *	5/2000	Shimazu et al.	.....	432/258
6,065,615 A *	5/2000	Uchiyama et al.	.....	211/41.18
6,095,806 A *	8/2000	Suzuki et al.	.....	432/241
6,099,302 A *	8/2000	Hong et al.	.....	432/259

(Continued)

*Primary Examiner* — Elizabeth J Oswecki

(74) *Attorney, Agent, or Firm* — Cantor Colburn LLP

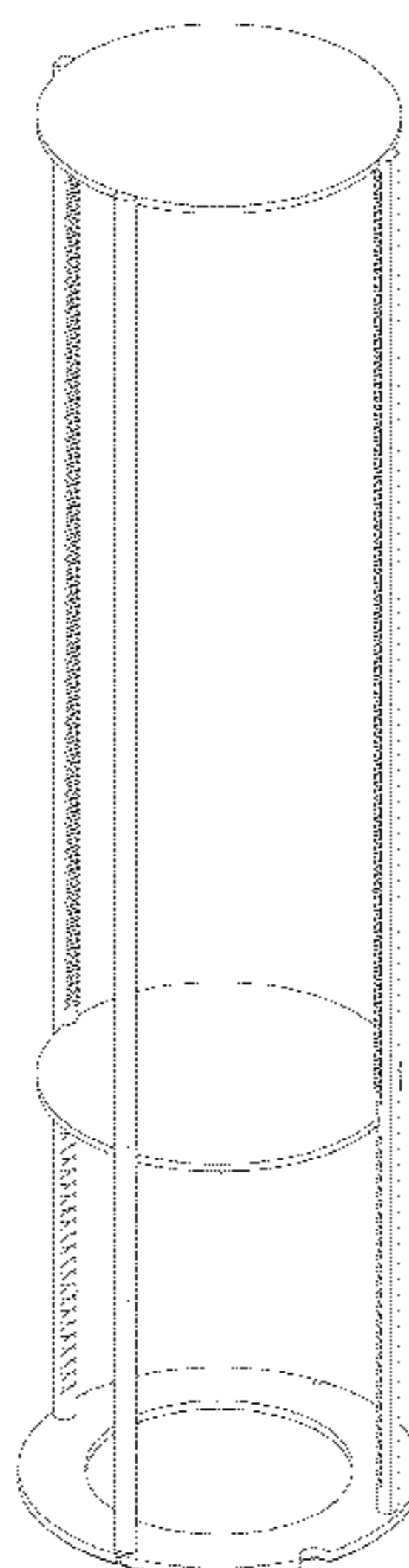
(57) **CLAIM**

The ornamental design for a boat for substrate processing apparatus, as shown and described.

**DESCRIPTION**

FIG. 1 is a perspective view of a boat for substrate processing apparatus showing our new design; FIG. 2 is a front elevation view thereof; FIG. 3 is a rear elevation view thereof; FIG. 4 is a right side view thereof; FIG. 5 is a left side view thereof; FIG. 6 is a top plan view thereof; FIG. 7 is a bottom plan view thereof; FIG. 8 is an enlarged rear view thereof taken along line 8-8 in FIG. 3; FIG. 9 is a cross-sectional view thereof taken along line 9-9 in FIG. 8; and, FIG. 10 is a cross-sectional view thereof taken along line 10-10 in FIG. 8.

**1 Claim, 10 Drawing Sheets**



(56)

**References Cited**

U.S. PATENT DOCUMENTS

6,099,645	A *	8/2000	Easley et al. ....	118/500	D616,394	S *	5/2010	Sato .....	D13/182
6,287,112	B1 *	9/2001	Van Voorst Vader et al. .	432/258	D616,395	S *	5/2010	Sato .....	D13/182
6,341,935	B1 *	1/2002	Tseng .....	414/800	D616,396	S *	5/2010	Sato .....	D13/182
D570,308	S *	6/2008	Sato .....	D13/182	D655,255	S *	3/2012	Takebayashi et al. ....	D13/182
D570,309	S *	6/2008	Sato et al. ....	D13/182	D655,682	S *	3/2012	Takebayashi et al. ....	D13/182
D580,894	S *	11/2008	Sato .....	D13/182	2002/0092815	A1 *	7/2002	Kim et al. ....	211/41.18
7,484,958	B2 *	2/2009	Kobayashi .....	432/258	2002/0113027	A1 *	8/2002	Minami et al. ....	211/41.18
D600,221	S *	9/2009	Sato .....	D13/182	2002/0130061	A1 *	9/2002	Hengst .....	206/710
D600,222	S *	9/2009	Sato .....	D13/182	2002/0187023	A1 *	12/2002	Araki .....	414/160
					2003/0024888	A1 *	2/2003	Payne et al. ....	211/41.18
					2005/0145584	A1 *	7/2005	Buckley et al. ....	211/41.18
					2009/0250005	A1 *	10/2009	Kaneko et al. ....	118/724

\* cited by examiner

Fig. 1

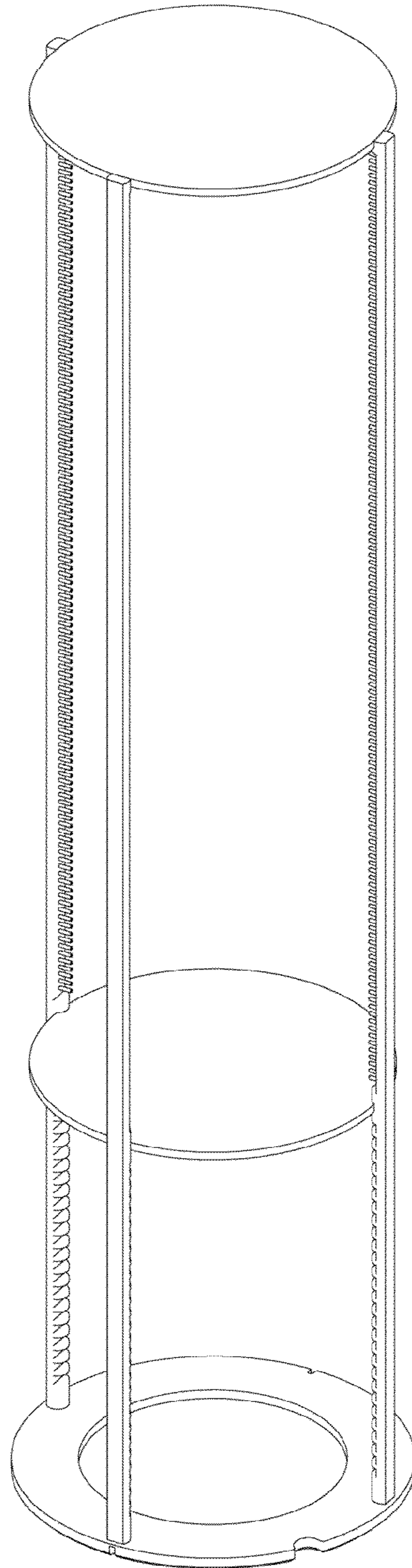


Fig. 2

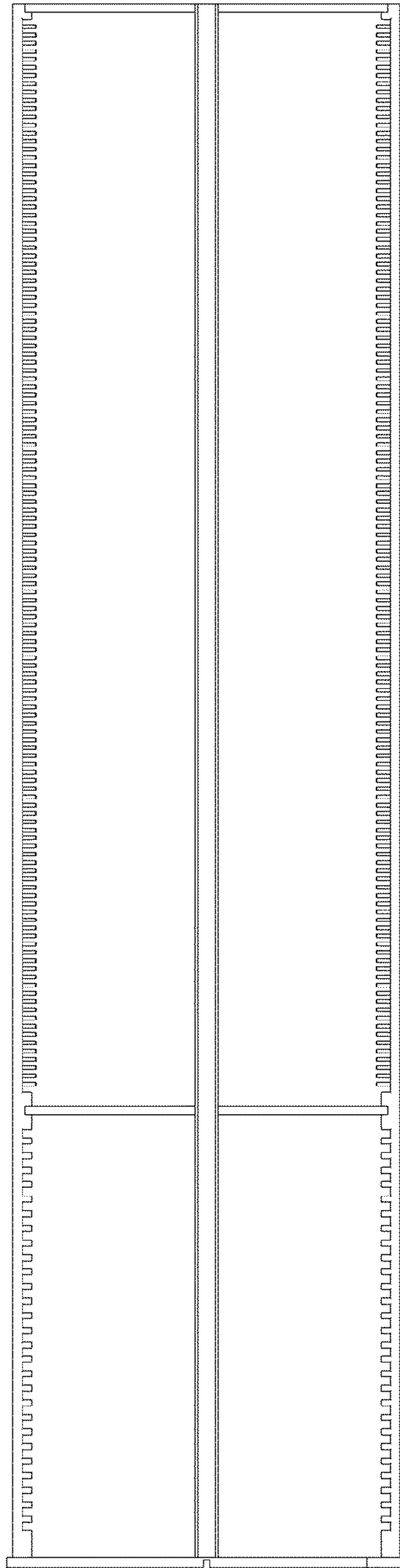


Fig. 3

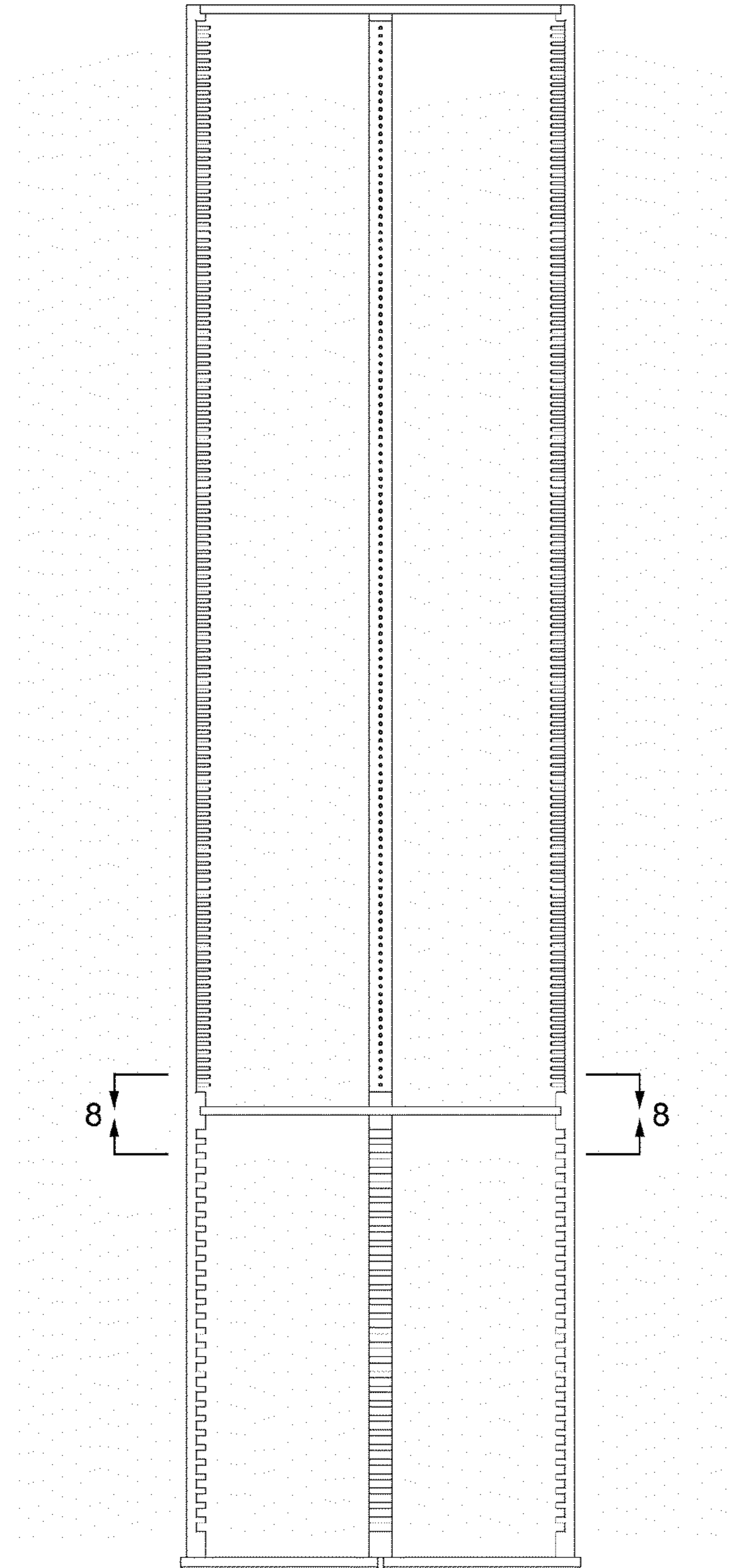




Fig. 4

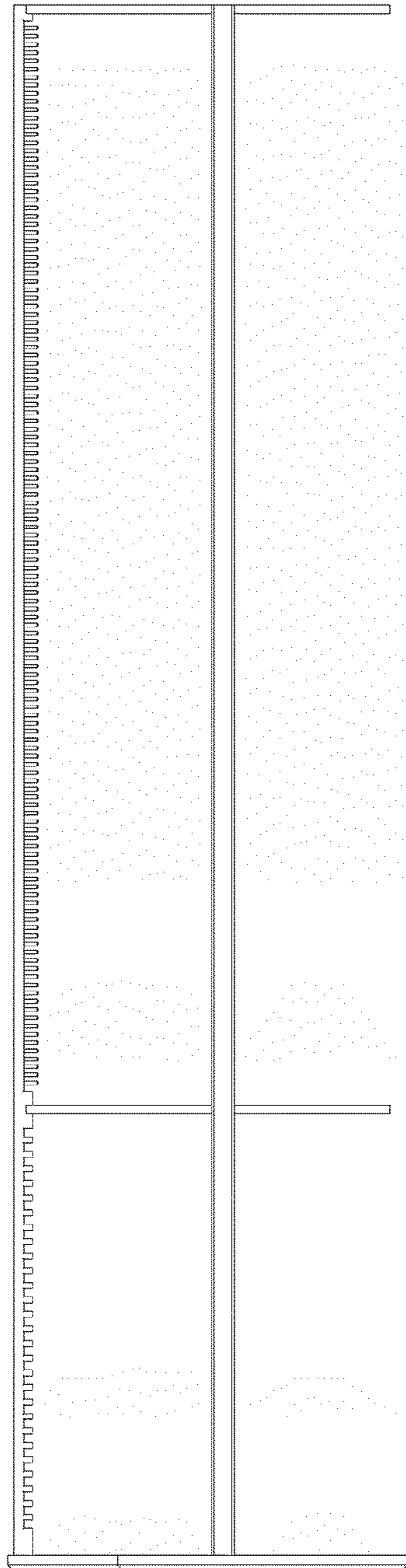


Fig. 5

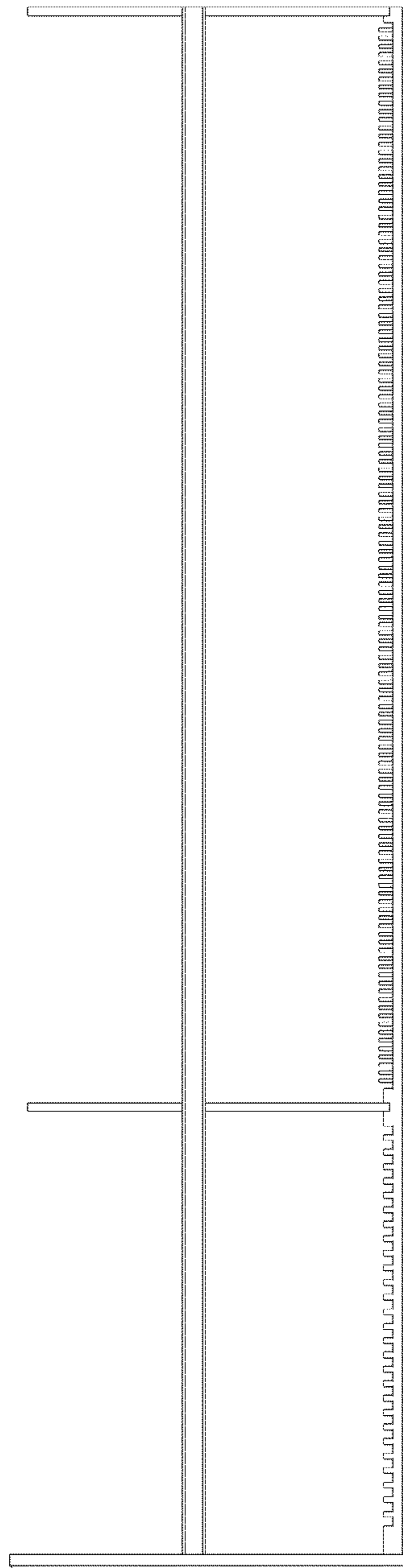


Fig. 6

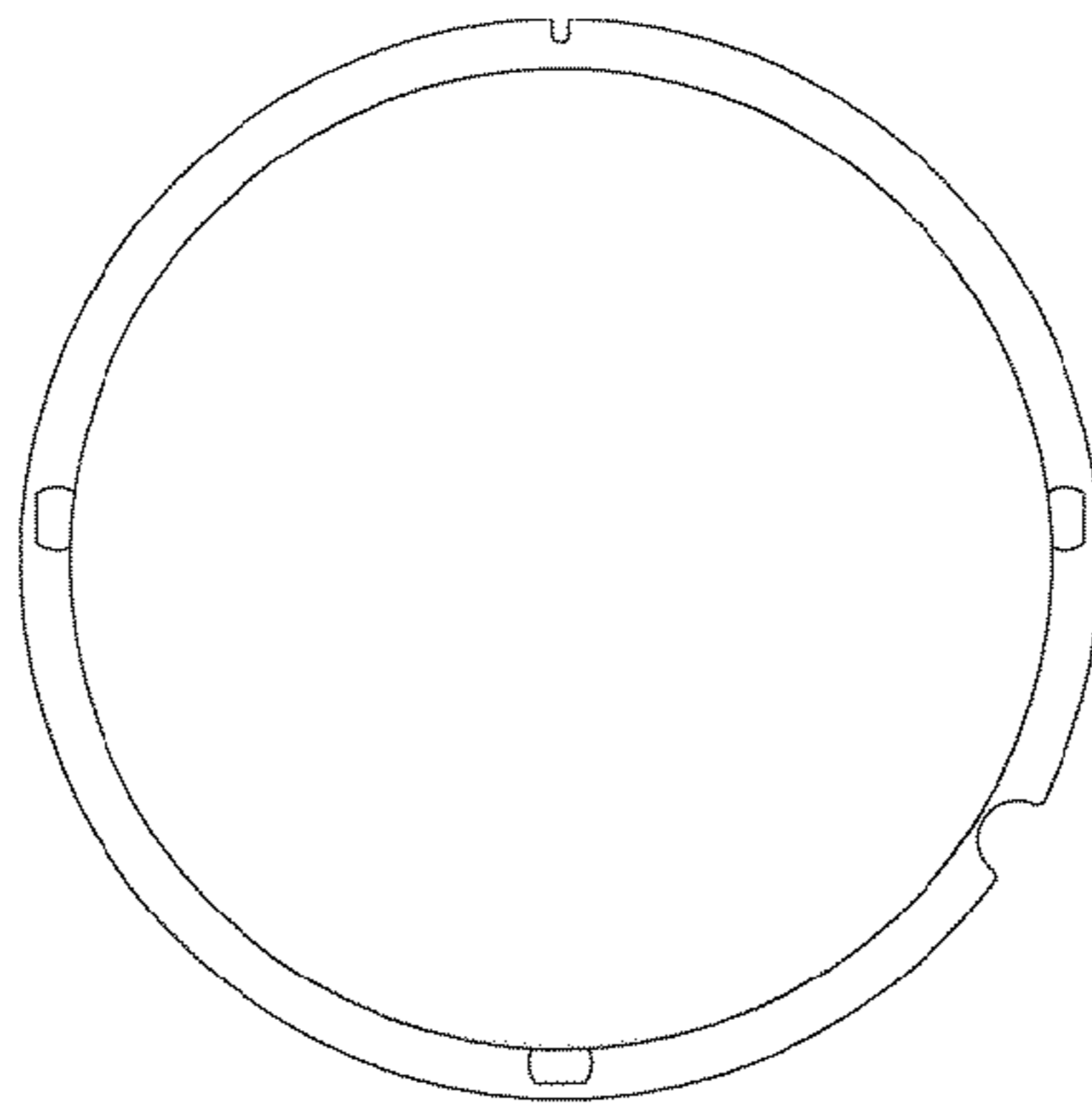




Fig. 7

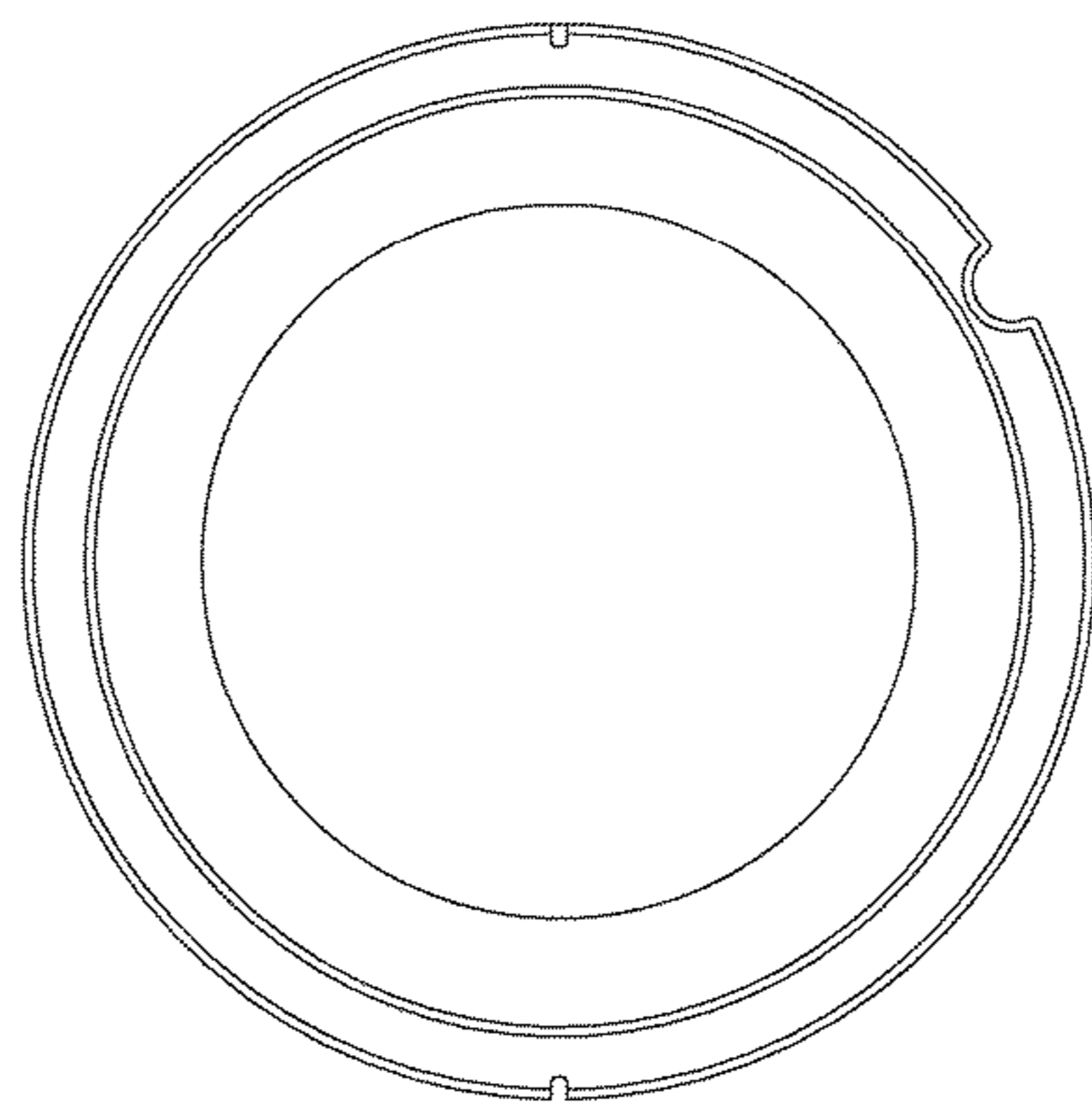


Fig. 8

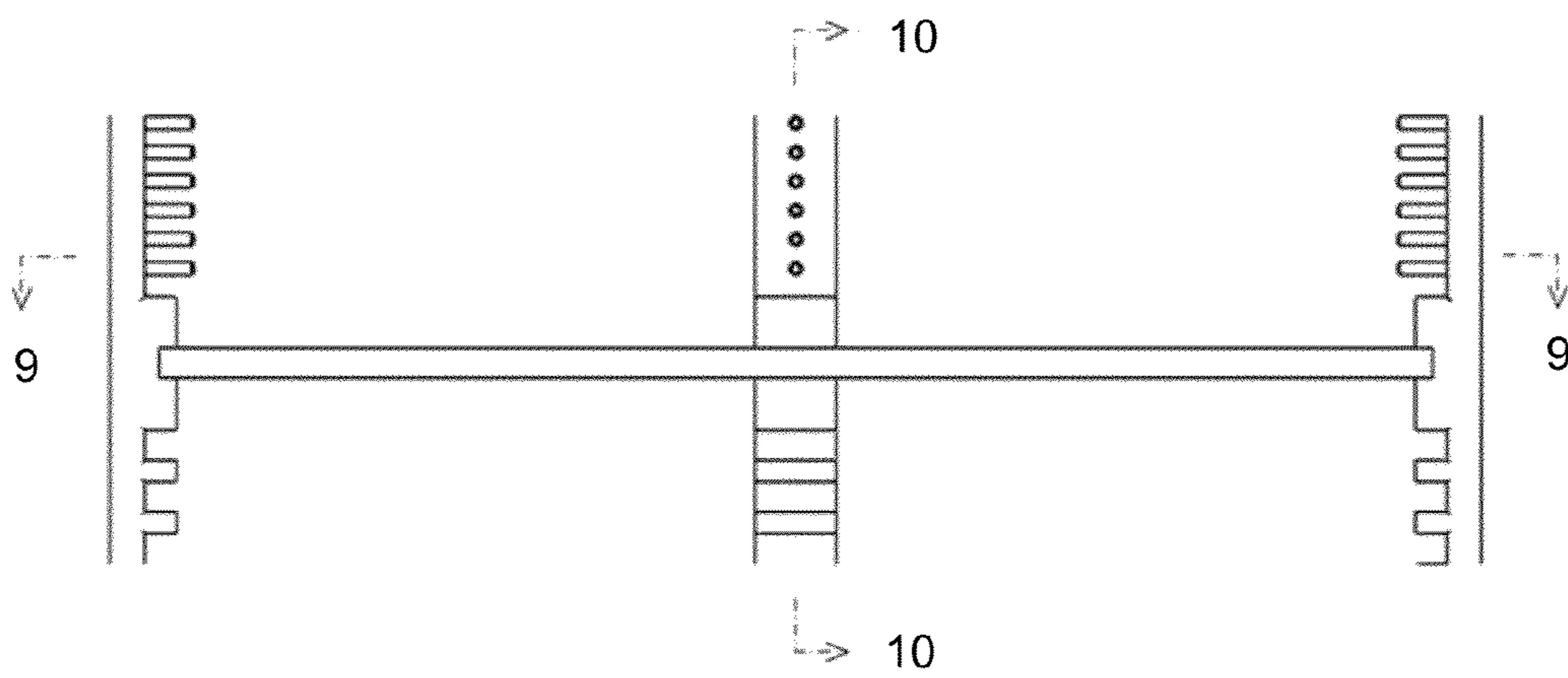


Fig. 9

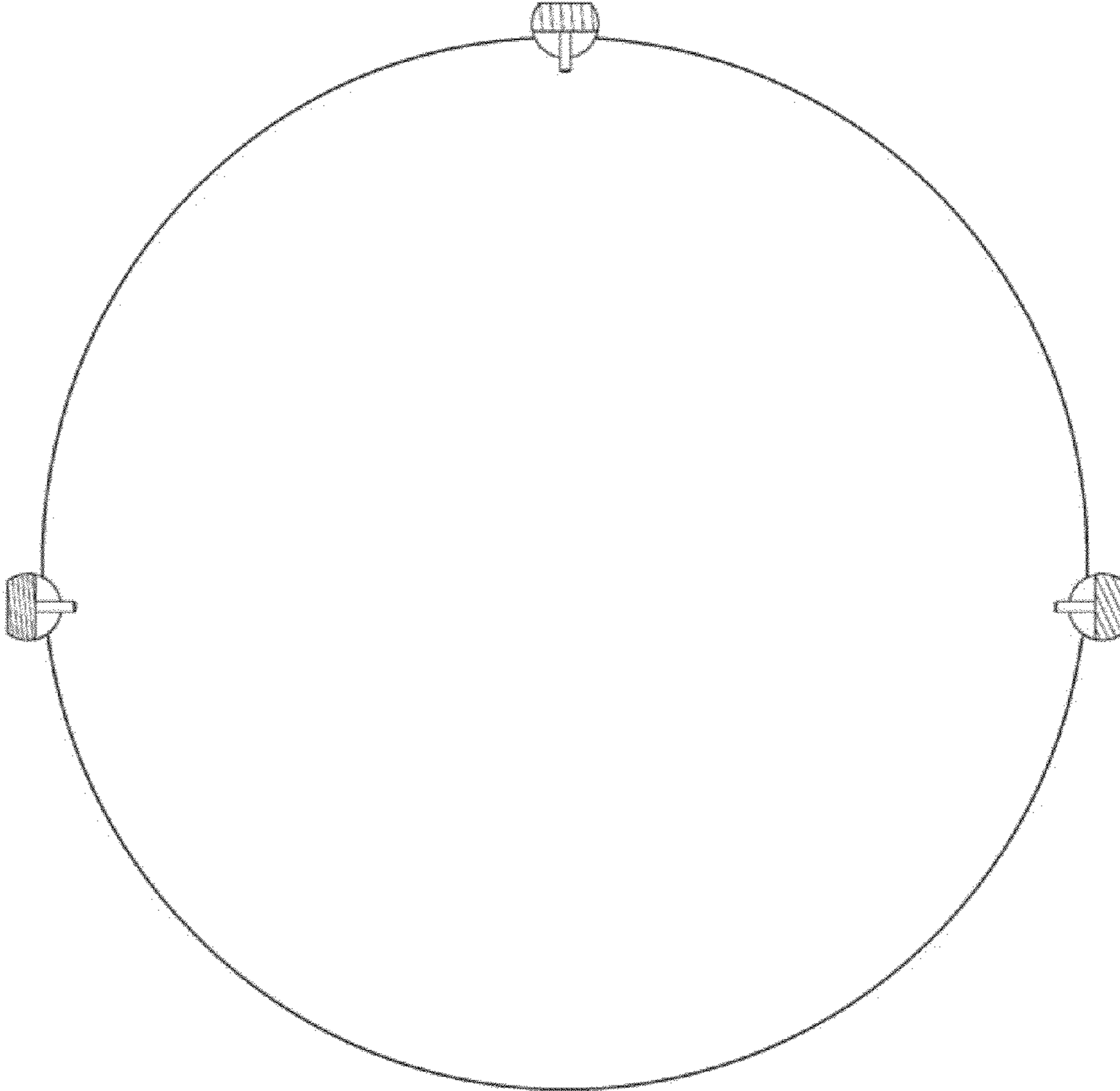


Fig. 10

