



US00D739826S

(12) **United States Design Patent**
Omodachi et al.

(10) **Patent No.:** **US D739,826 S**

(45) **Date of Patent:** **** Sep. 29, 2015**

(54) **ELECTRICAL CONNECTOR**

(71) Applicants: **JAPAN AVIATION ELECTRONICS INDUSTRY, LIMITED**, Tokyo (JP); **JAE Electronics, Inc.**, Irvine, CA (US)

(72) Inventors: **Takashi Omodachi**, Tokyo (JP); **Takayuki Nishimura**, Tokyo (JP); **Hiroaki Obikane**, Tokyo (JP); **Daisuke Machihara**, Irvine, CA (US); **Joe Motojima**, Irvine, CA (US)

(73) Assignees: **JAPAN AVIATION ELECTRONICS INDUSTRY, LIMITED**, Tokyo (JP); **JAE Electronics, Inc.**, Irvine, CA (US)

(**) Term: **14 Years**

(21) Appl. No.: **29/484,822**

(22) Filed: **Mar. 13, 2014**

(51) **LOC (10) Cl.** **13-03**

(52) **U.S. Cl.**
USPC **D13/147**

(58) **Field of Classification Search**
USPC D13/147, 154, 184, 199
See application file for complete search history.

(56) **References Cited**

U.S. PATENT DOCUMENTS

D603,798 S * 11/2009 Obikane et al. D13/147
D603,801 S * 11/2009 Obikane et al. D13/147

D642,535 S * 8/2011 Sato et al. D13/147
D691,960 S * 10/2013 Miyazaki et al. D13/147
D692,833 S * 11/2013 Nishimura et al. D13/147
D720,298 S * 12/2014 Takenaga et al. D13/147
D721,040 S * 1/2015 Watanabe D13/147

* cited by examiner

Primary Examiner — Daniel Bui

(74) *Attorney, Agent, or Firm* — Westerman, Hattori, Daniels & Adrian, LLP

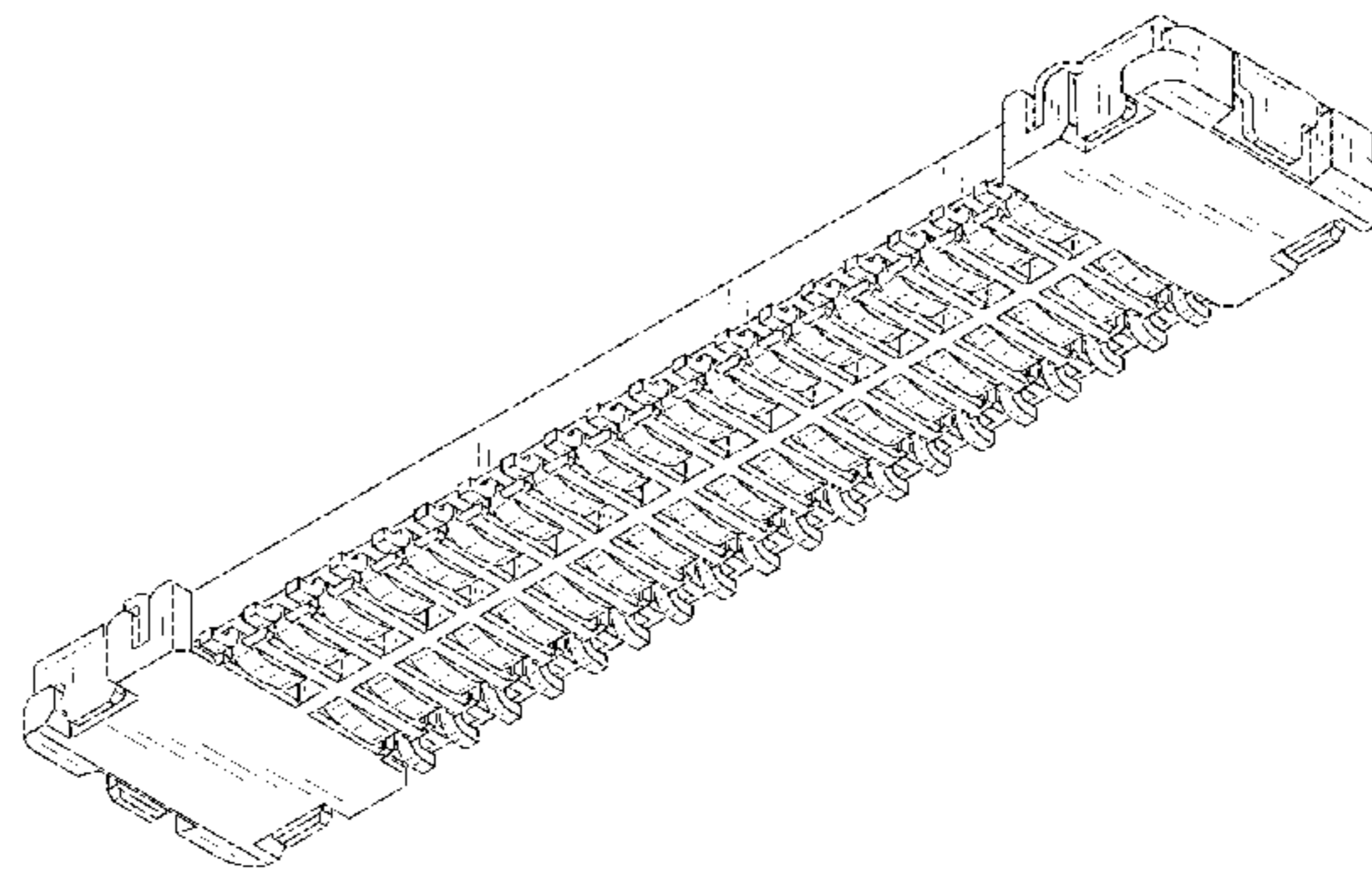
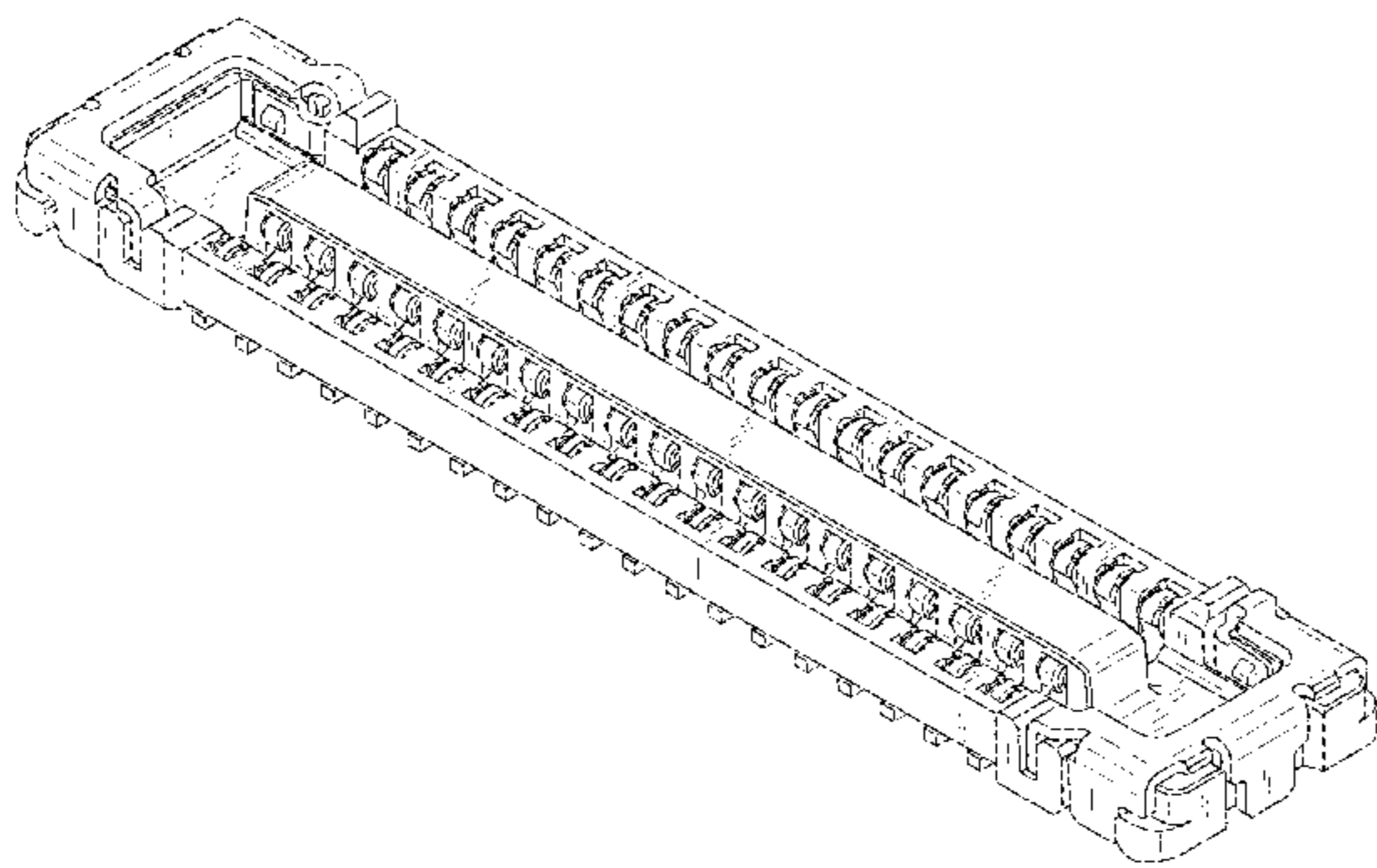
(57) **CLAIM**

The ornamental design for an electrical connector, as shown and described.

DESCRIPTION

FIG. 1 is a front elevational view of an electrical connector, showing our new design;
FIG. 2 is a rear elevational view thereof;
FIG. 3 is a right side elevational view thereof;
FIG. 4 is a left side elevational view thereof;
FIG. 5 is a top plan view thereof;
FIG. 6 is a bottom plan view thereof;
FIG. 7 is a right front perspective view showing the top thereof;
FIG. 8 is a left rear perspective view showing the bottom thereof;
FIG. 9 is a right front perspective view showing the bottom thereof; and,
FIG. 10 is a left rear perspective view showing the top thereof.

1 Claim, 10 Drawing Sheets



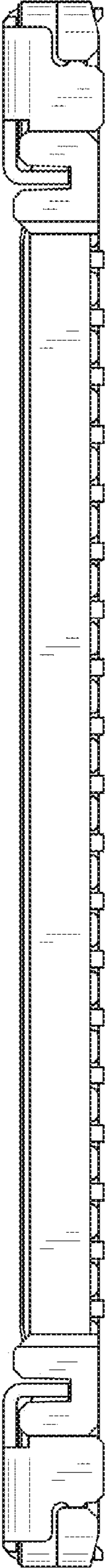


FIG.1

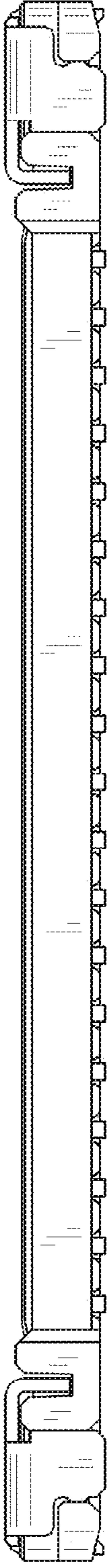


FIG.2

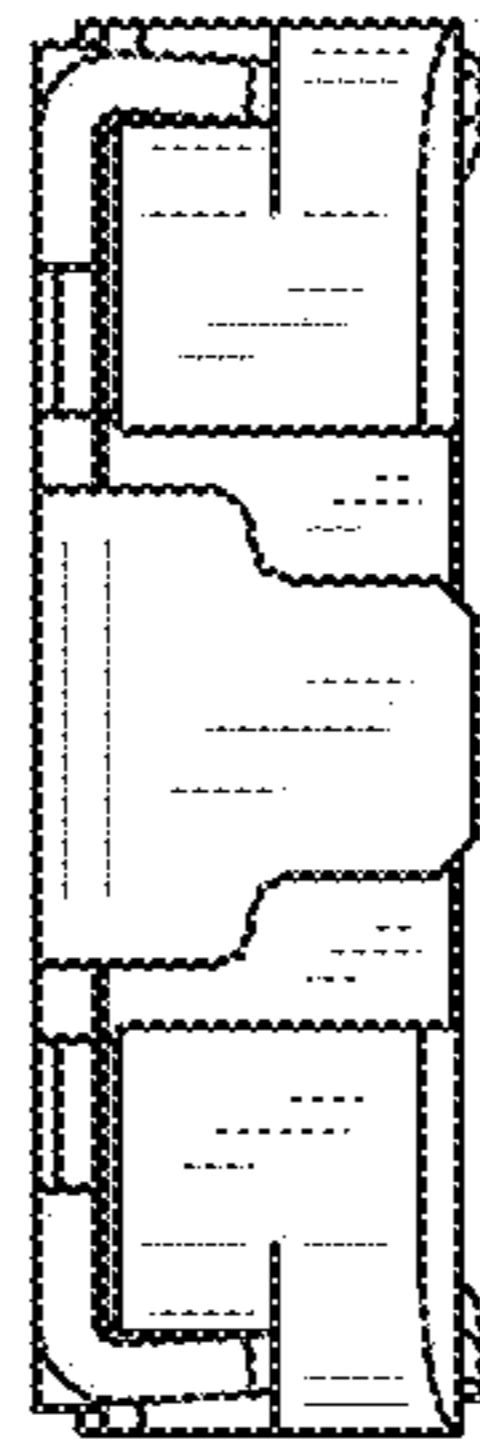


FIG.3

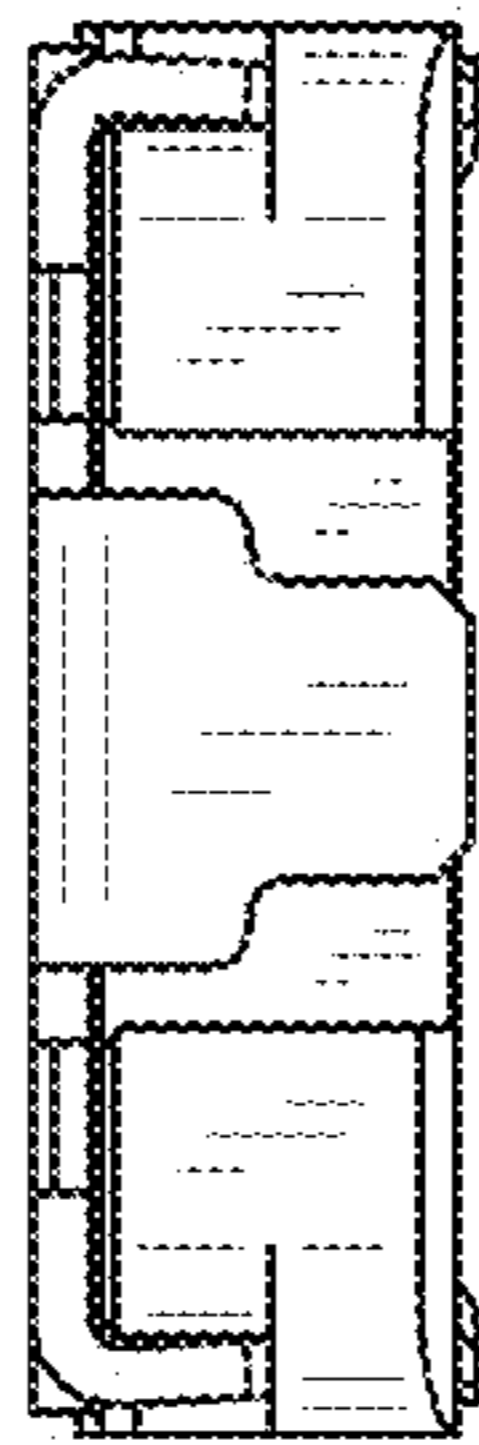


FIG.4

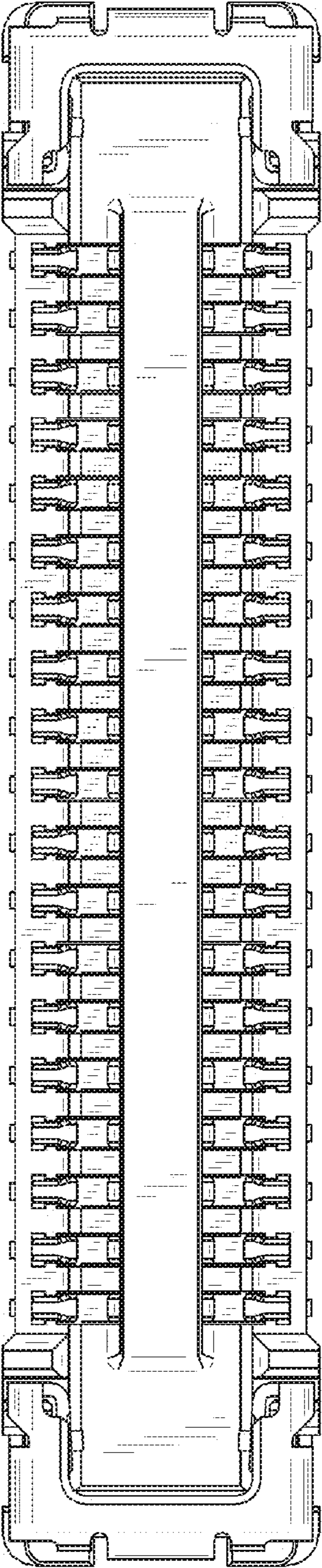


FIG.5

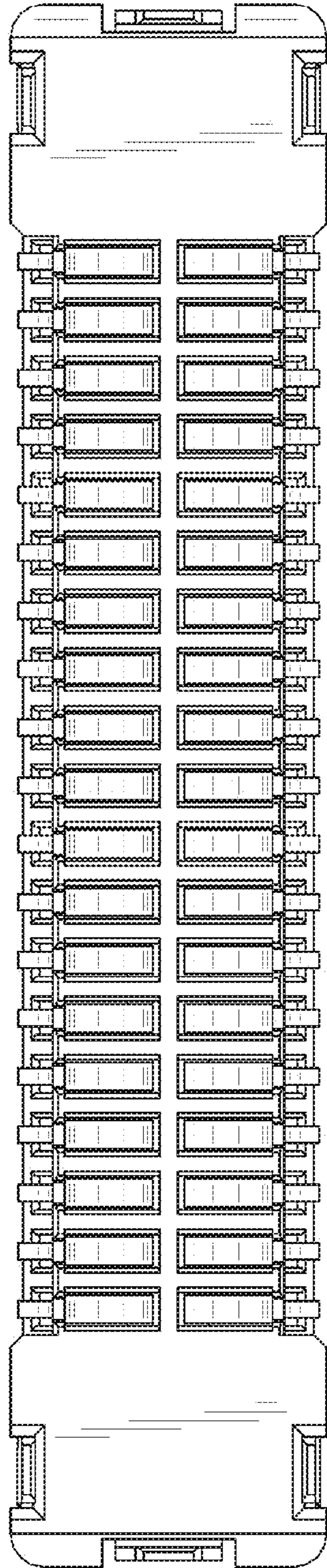


FIG. 6

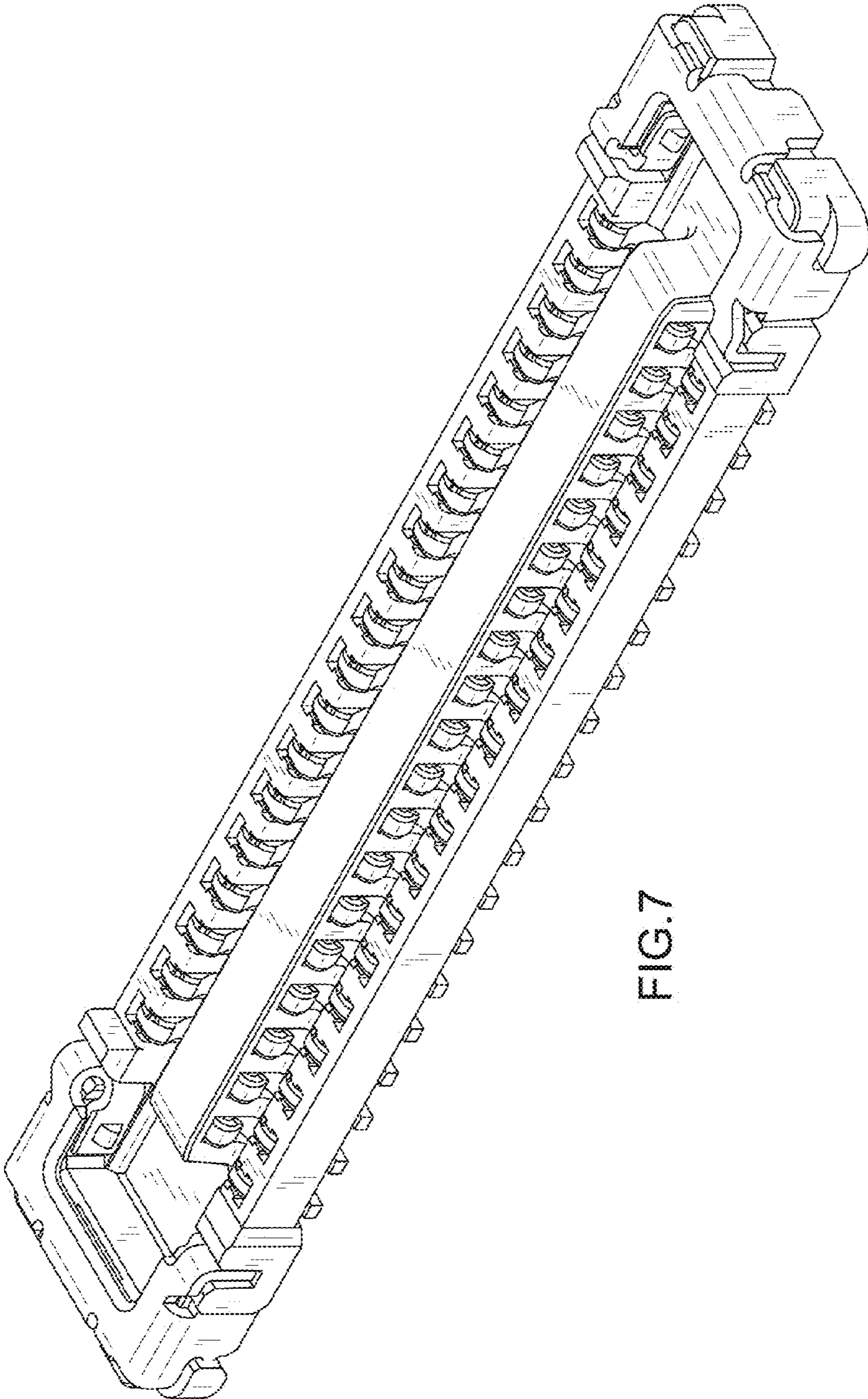


FIG.7

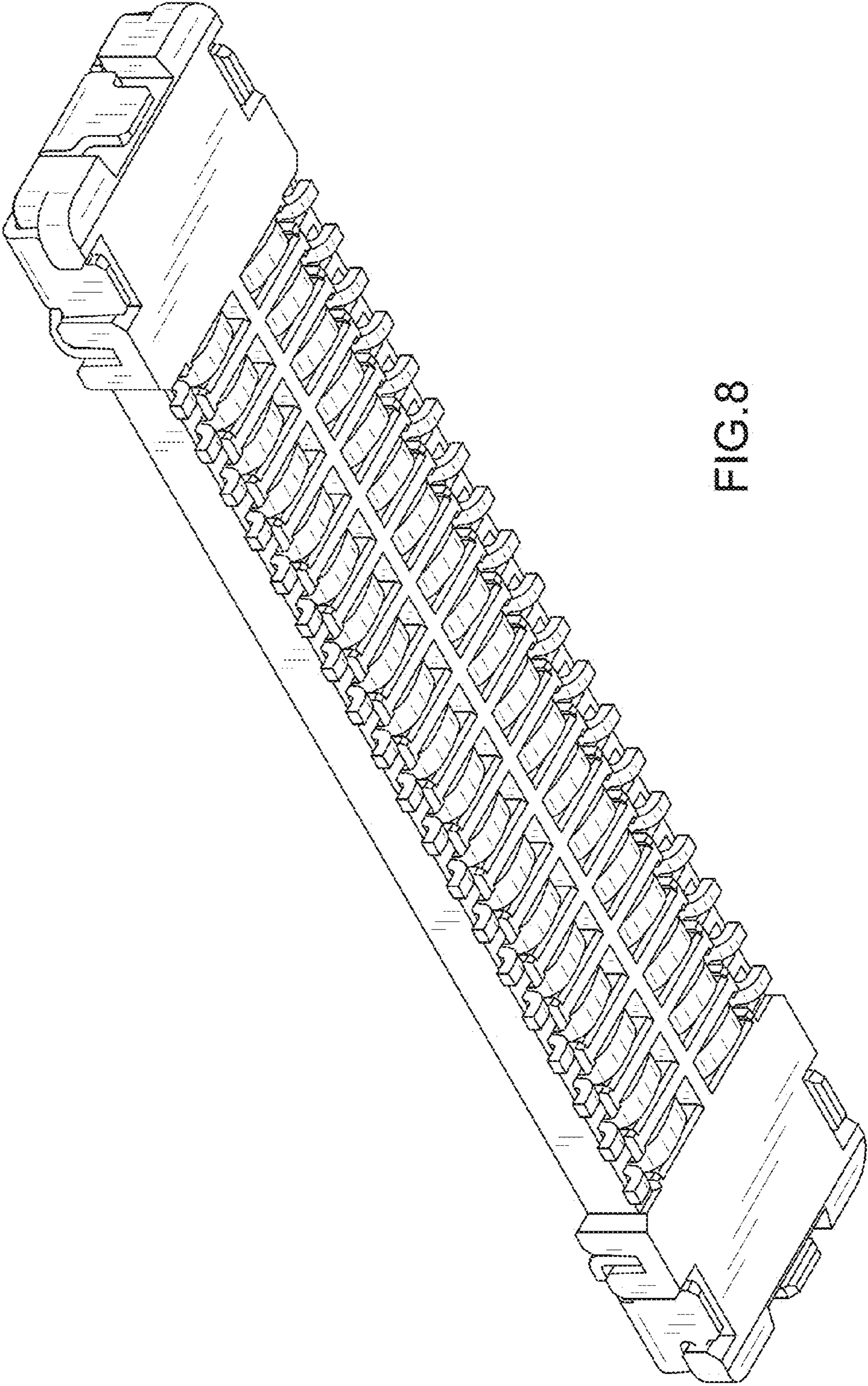


FIG.8

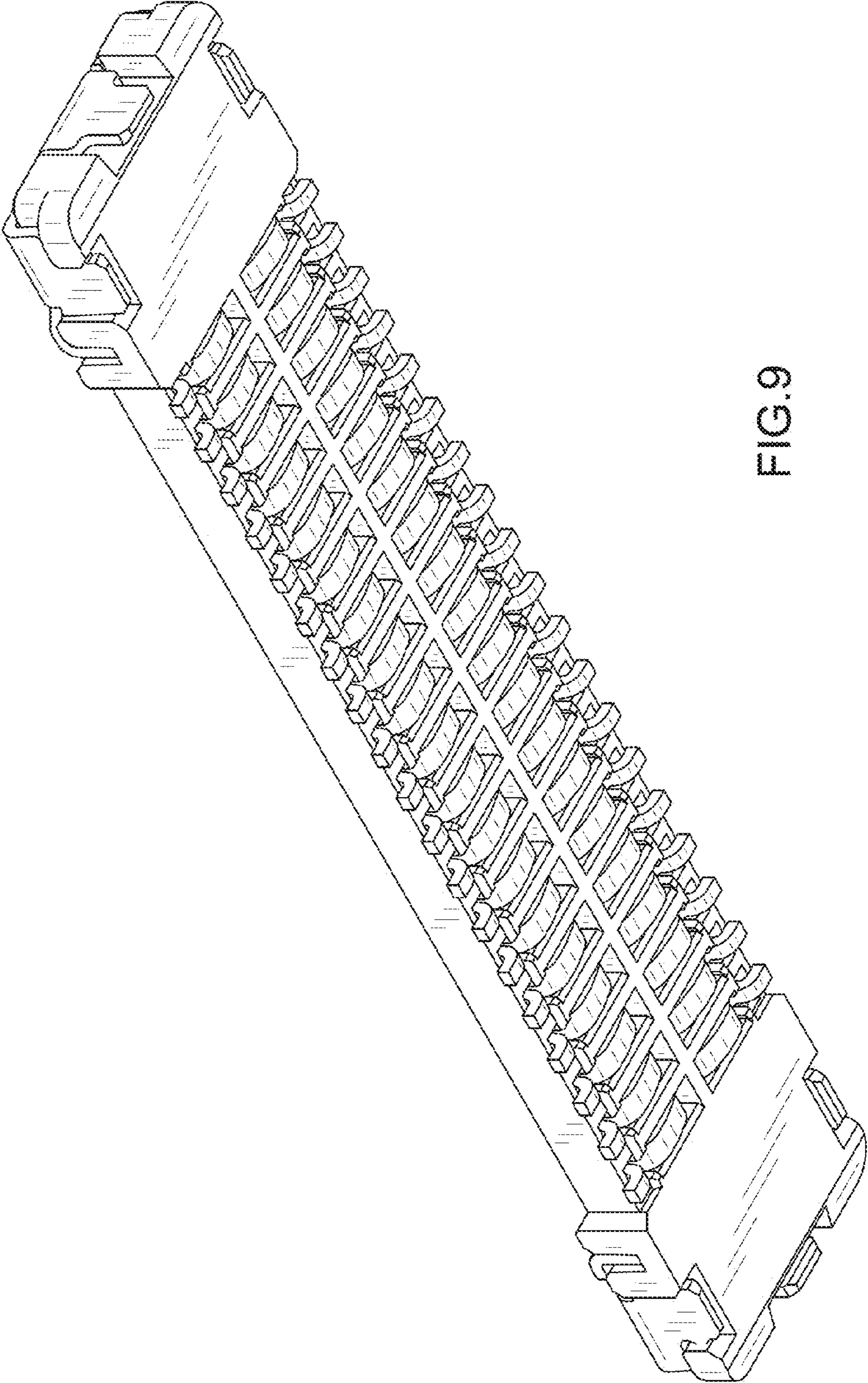


FIG. 9

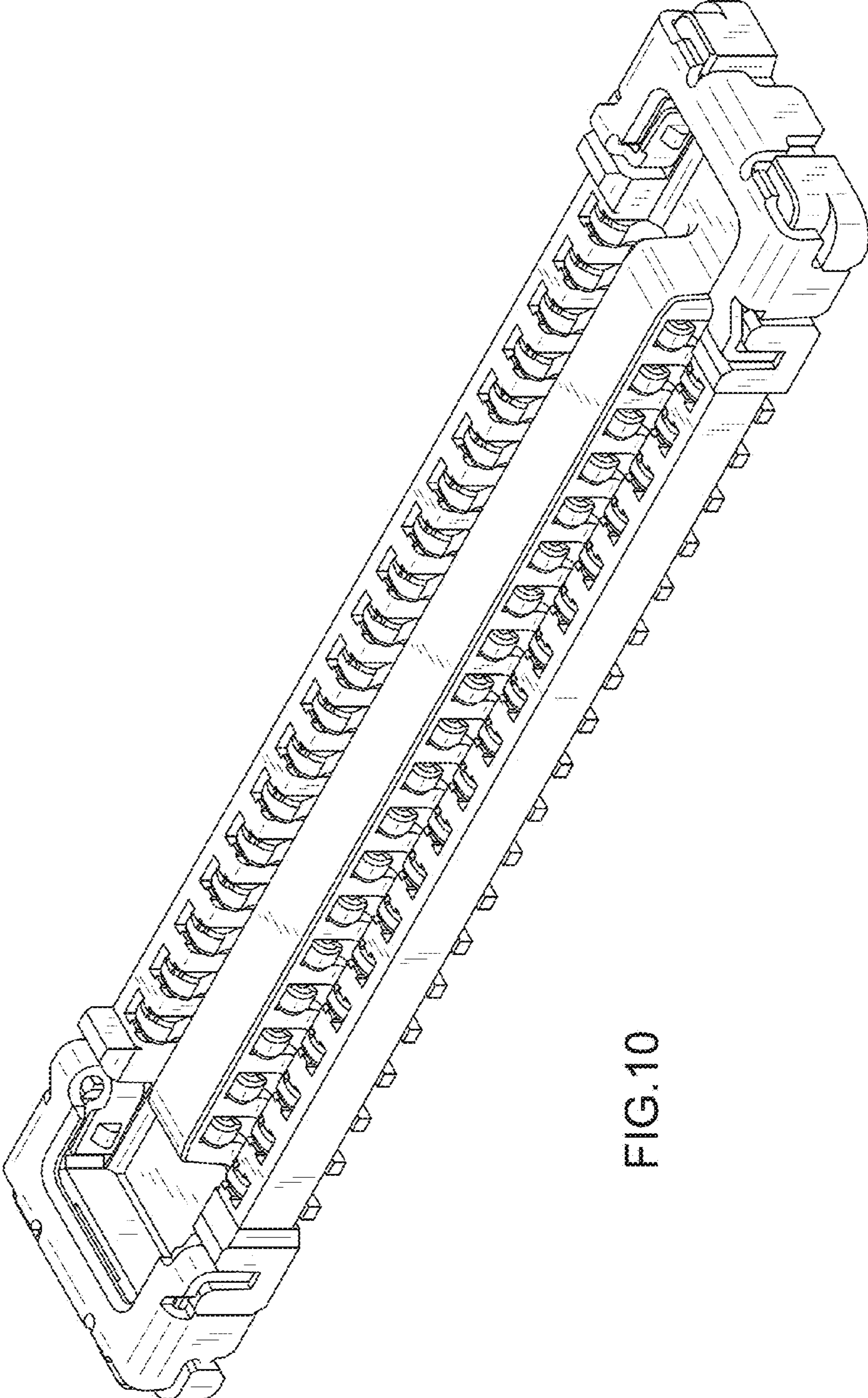


FIG.10