



US00D739825S

(12) **United States Design Patent**
Omodachi et al.

(10) **Patent No.:** **US D739,825 S**

(45) **Date of Patent:** **** Sep. 29, 2015**

(54) **ELECTRICAL CONNECTOR**

(71) Applicants: **JAPAN AVIATION ELECTRONICS INDUSTRY, LIMITED**, Tokyo (JP); **JAE Electronics, Inc**, Irvine, CA (US)

(72) Inventors: **Takashi Omodachi**, Tokyo (JP); **Takayuki Nishimura**, Tokyo (JP); **Hiroaki Obikane**, Tokyo (JP); **Daisuke Machihara**, Irvine, CA (US); **Joe Motojima**, Irvine, CA (US)

(73) Assignees: **JAPAN AVIATION ELECTRONICS INDUSTRY, LIMITED**, Tokyo (JP); **JAE Electronics, Inc.**, Irvine, CA (US)

(**) Term: **14 Years**

(21) Appl. No.: **29/484,821**

(22) Filed: **Mar. 13, 2014**

(51) **LOC (10) Cl.** **13-03**

(52) **U.S. Cl.**
USPC **D13/147**

(58) **Field of Classification Search**
USPC D13/147, 154, 184, 199
See application file for complete search history.

(56) **References Cited**

U.S. PATENT DOCUMENTS

D562,774 S * 2/2008 Kojima et al. D13/147
D641,705 S * 7/2011 Sato et al. D13/147

D642,534 S * 8/2011 Nishimura et al. D13/147
D684,932 S * 6/2013 Nishimura et al. D13/147
D722,568 S * 2/2015 Ueda et al. D13/147
2013/0012074 A1 * 1/2013 Mashiyama et al. 439/660

* cited by examiner

Primary Examiner — Daniel Bui

(74) *Attorney, Agent, or Firm* — Westerman, Hattori, Daniels & Adrian, LLP

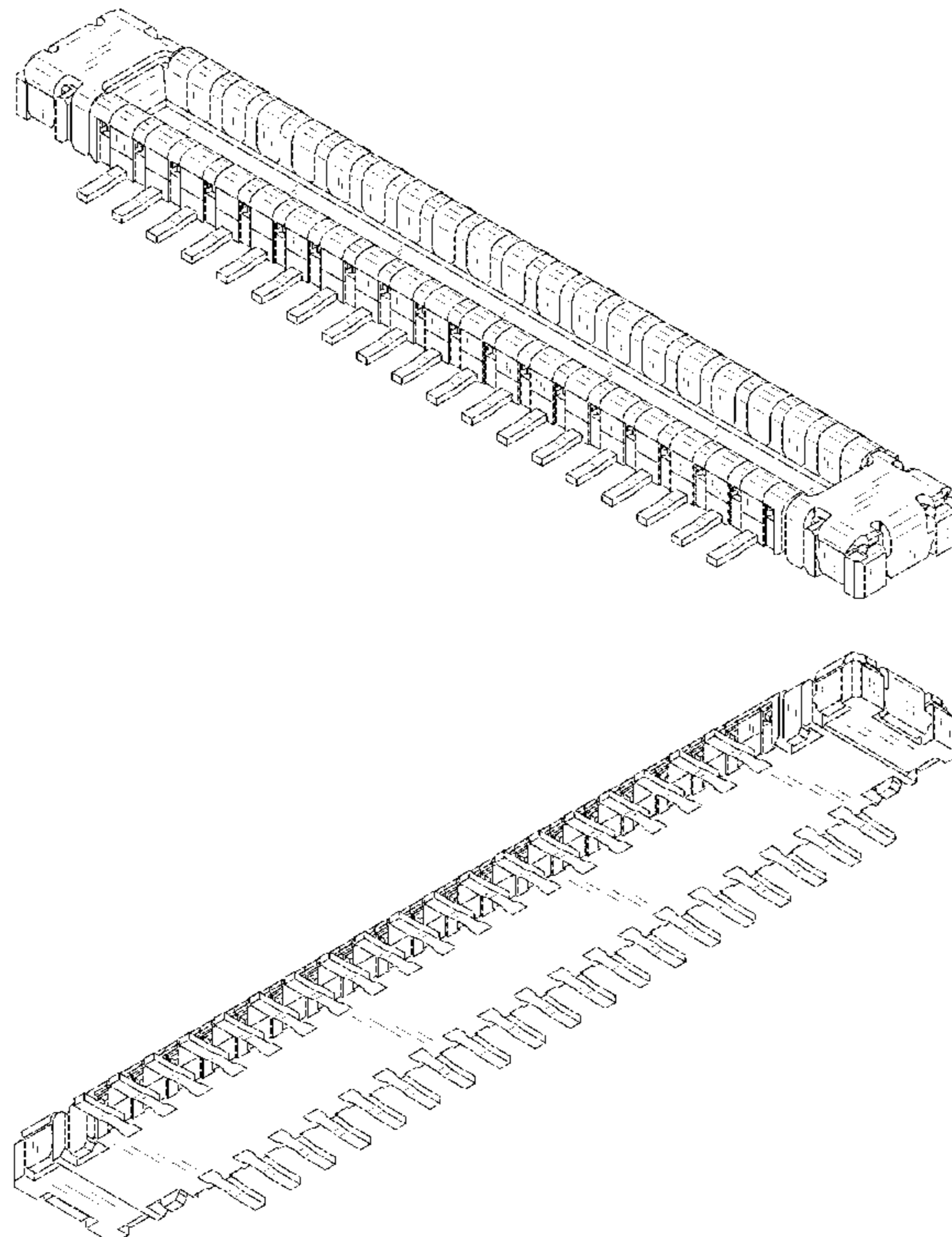
(57) **CLAIM**

The ornamental design for an electrical connector, as shown and described.

DESCRIPTION

FIG. 1 is a front elevational view of an electrical connector, showing our new design;
FIG. 2 is a rear elevational view thereof;
FIG. 3 is a right side elevational view thereof;
FIG. 4 is a left side elevational view thereof;
FIG. 5 is a top plan view thereof;
FIG. 6 is a bottom plan view thereof;
FIG. 7 is a right front perspective view showing the top thereof;
FIG. 8 is a left rear perspective view showing the bottom thereof;
FIG. 9 is a right front perspective view showing the bottom thereof; and,
FIG. 10 is a left rear perspective view showing the top thereof.

1 Claim, 10 Drawing Sheets



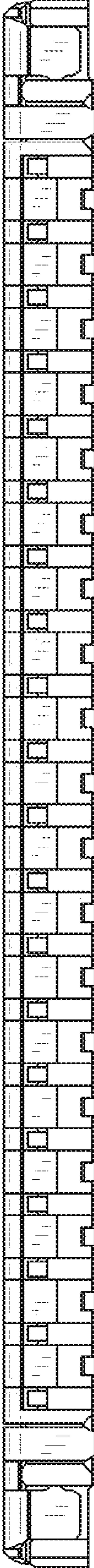


FIG. 1

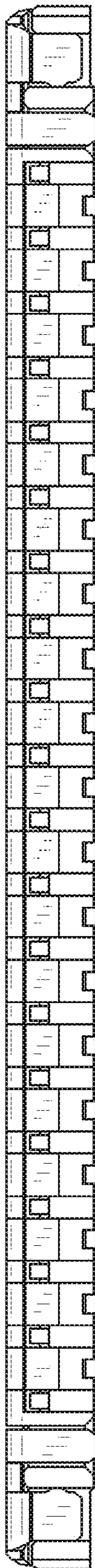


FIG. 2

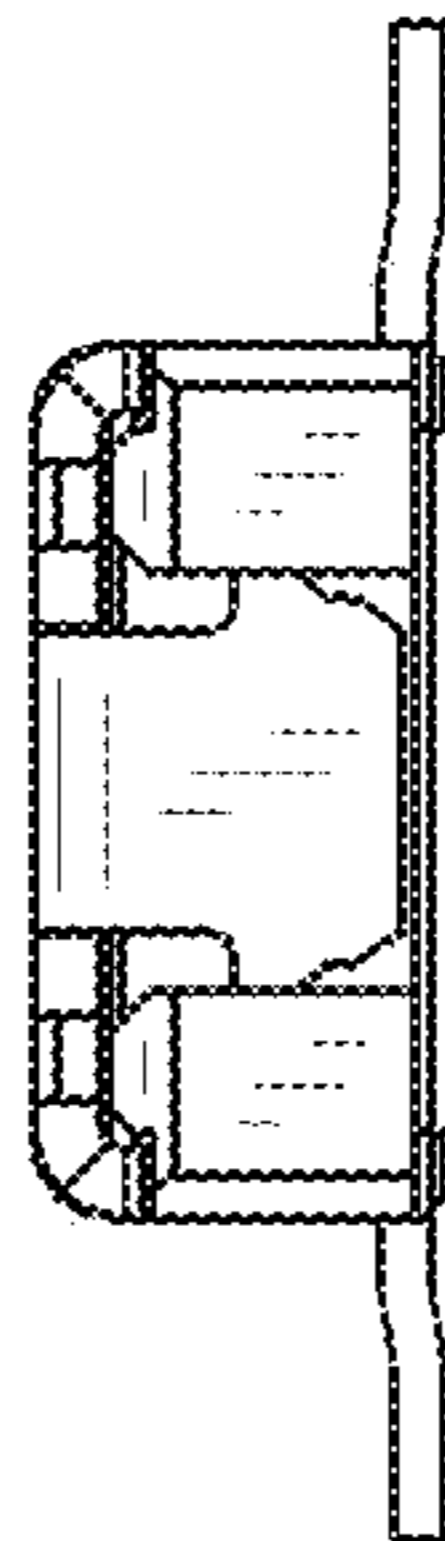


FIG. 3

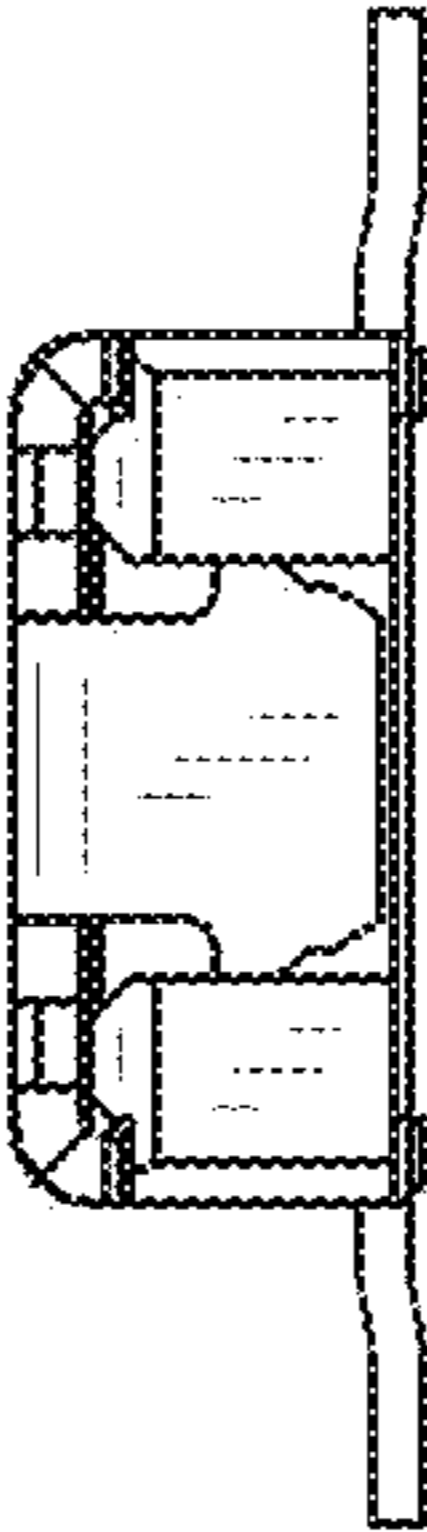


FIG. 4

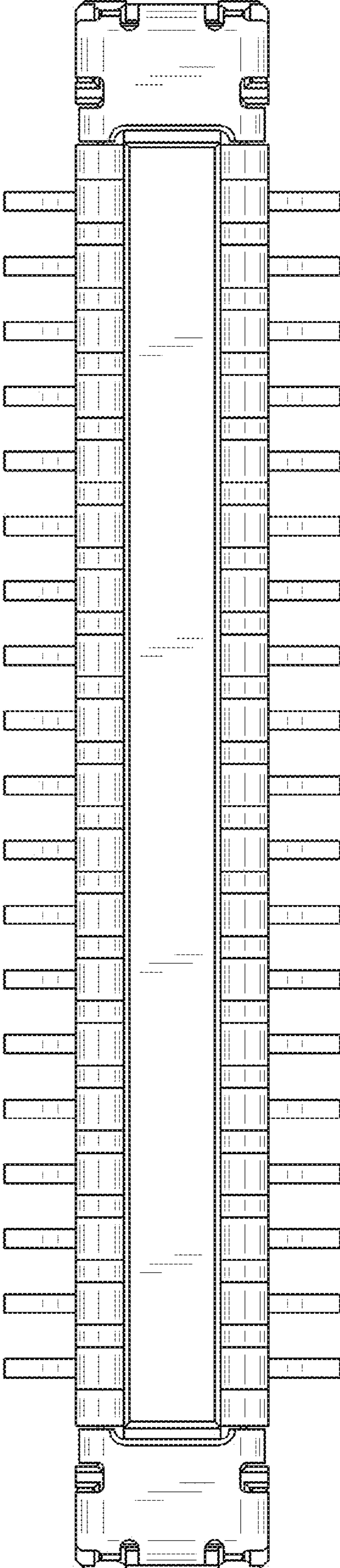


FIG. 5

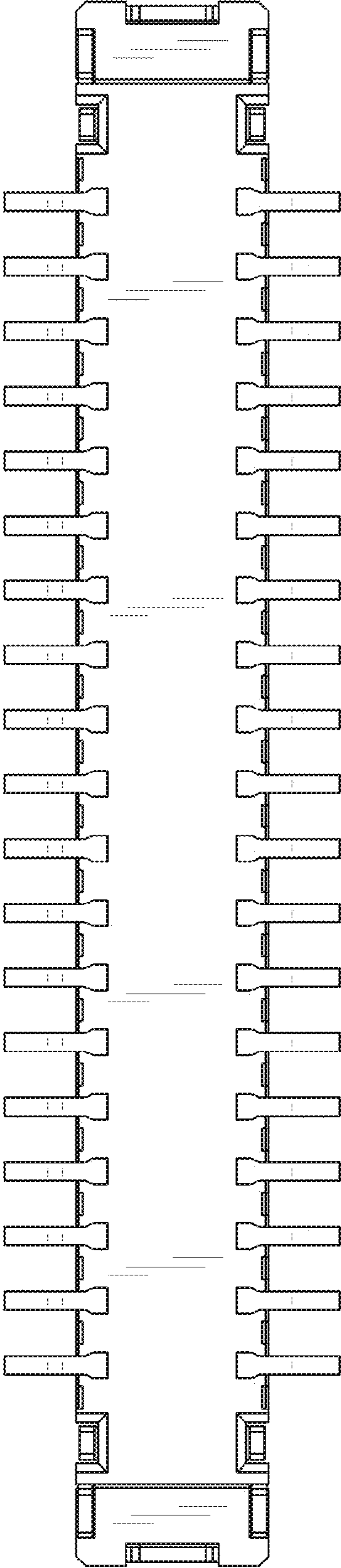


FIG. 6

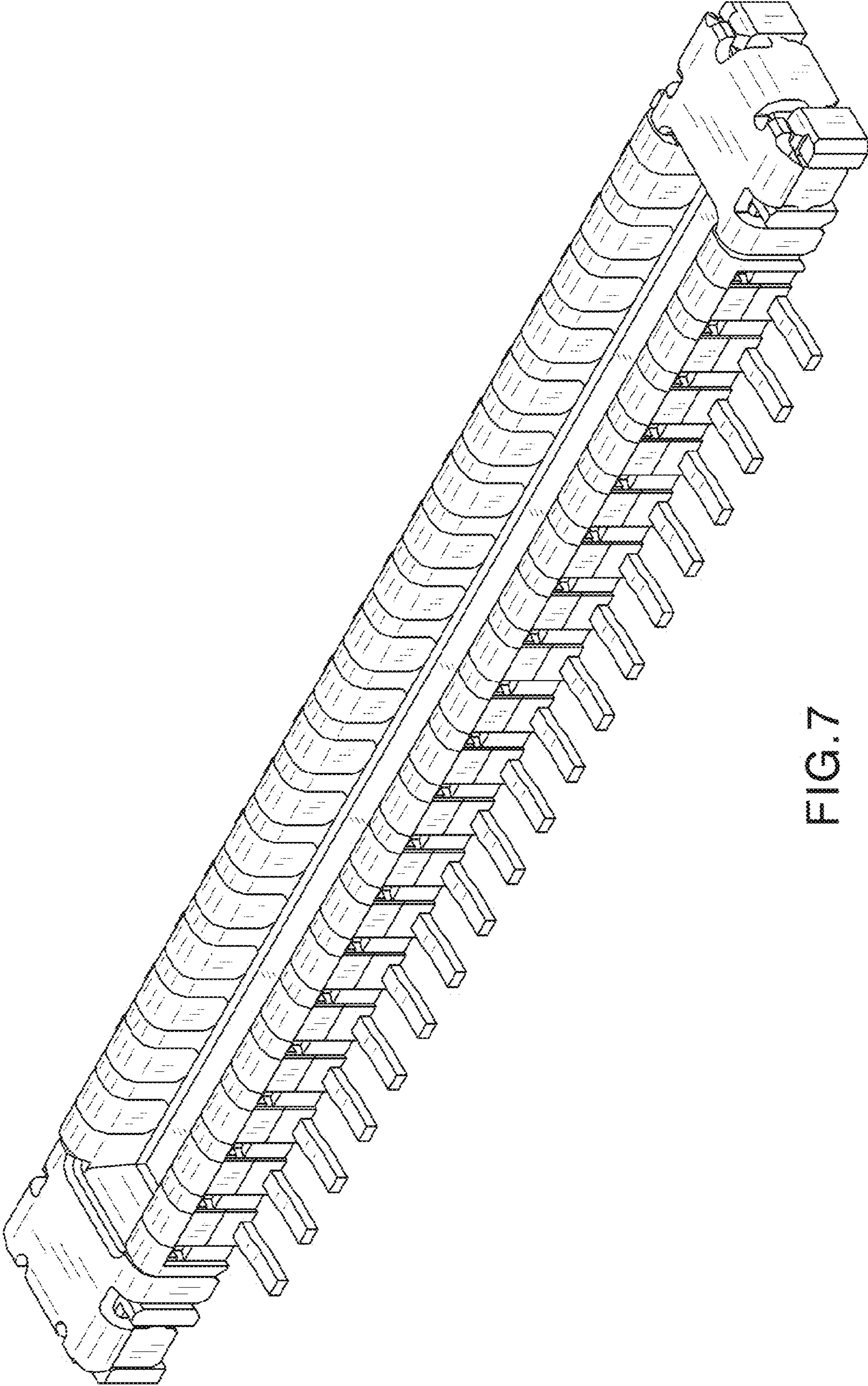


FIG. 7

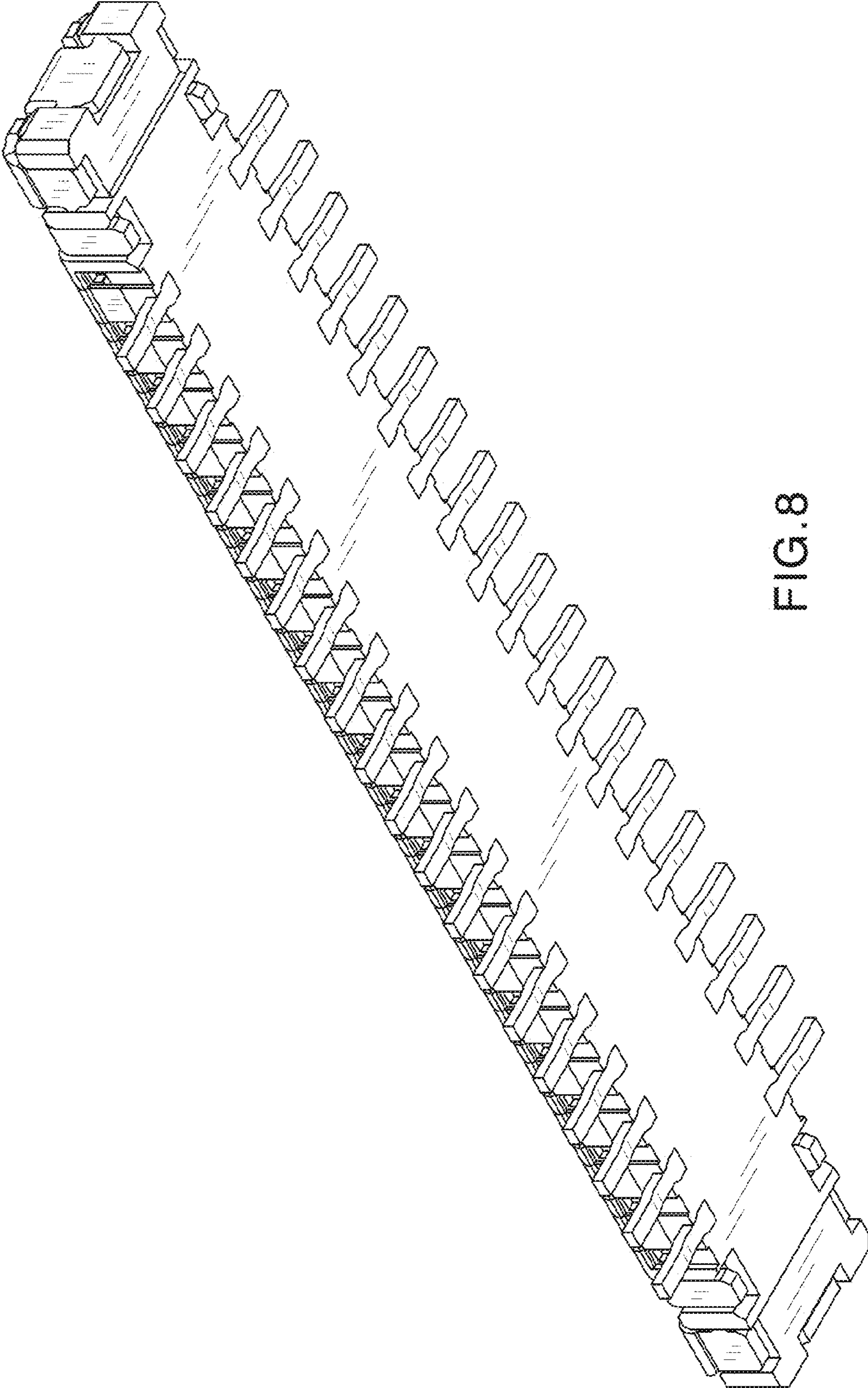


FIG. 8

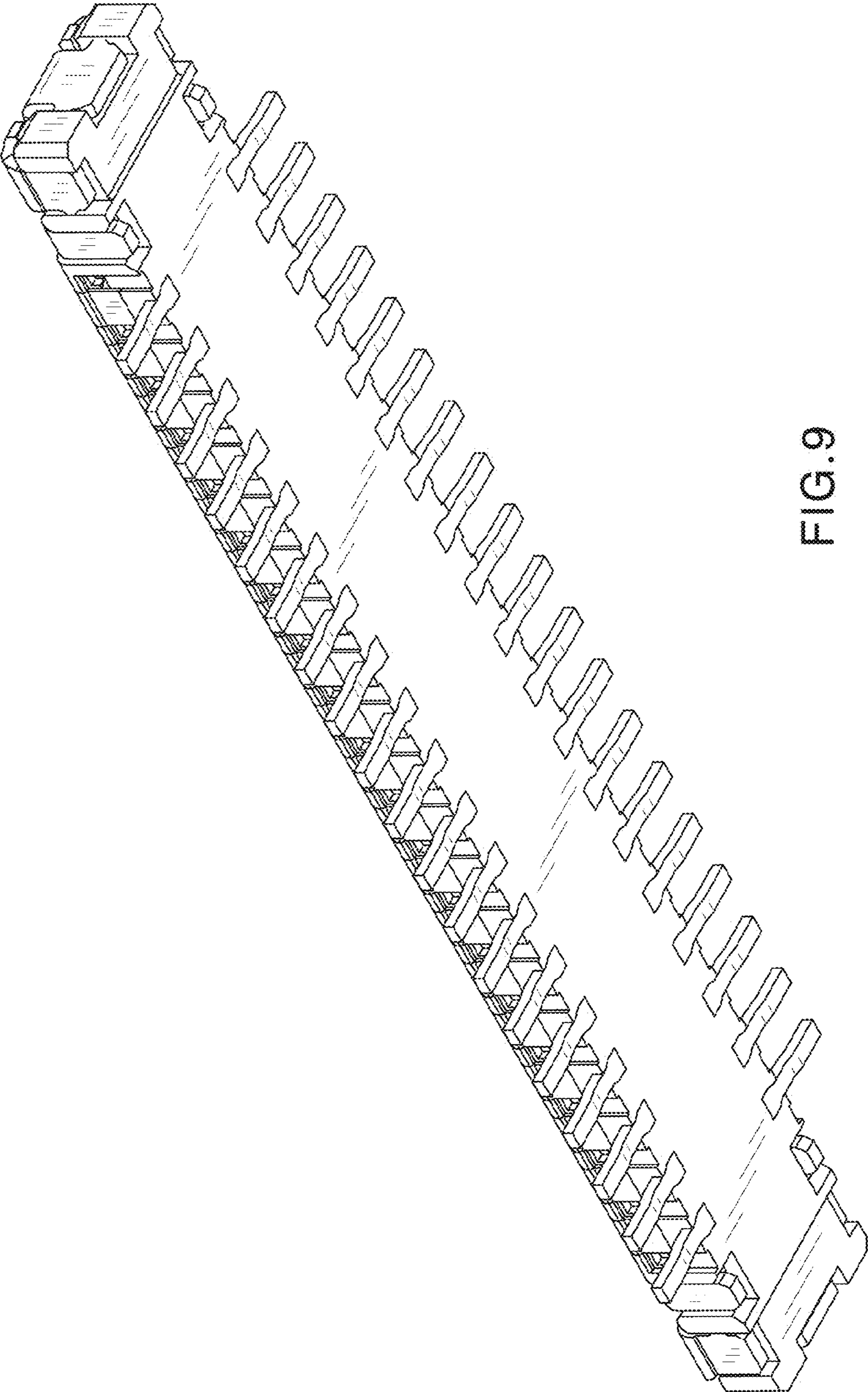


FIG. 9

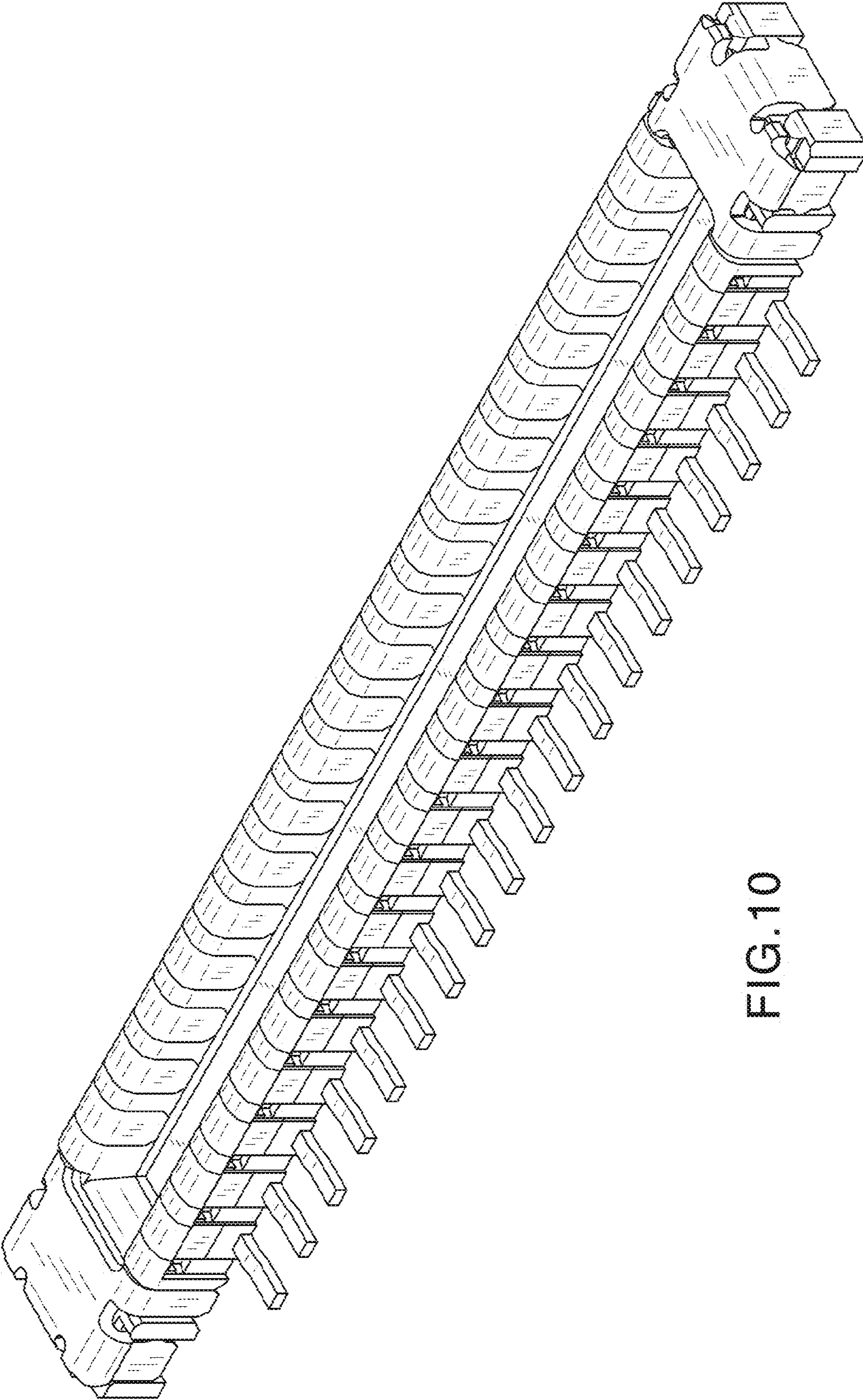


FIG. 10