

US00D739823S

(12) **United States Design Patent**
Endo et al.

(10) **Patent No.:** **US D739,823 S**
(45) **Date of Patent:** **** Sep. 29, 2015**

(54) **ELECTRIC CONNECTOR**

(71) Applicant: **DAI-ICHI SEIKO CO., LTD.**, Kyoto (JP)

(72) Inventors: **Takayoshi Endo**, Shizuoka (JP); **Sakai Yagi**, Shizuoka (JP); **Shuji Touno**, Shizuoka (JP)

(73) Assignee: **Dai-Ichi Seiko Co., Ltd**, Kyoto (JP)

(**) Term: **14 Years**

(21) Appl. No.: **29/467,585**

(22) Filed: **Sep. 20, 2013**

(30) **Foreign Application Priority Data**

Mar. 25, 2013 (JP) 2013-6533

(51) **LOC (10) Cl.** **13-03**

(52) **U.S. Cl.**
USPC **D13/146**

(58) **Field of Classification Search**
USPC D13/133, 146, 147, 154, 184, 199
See application file for complete search history.

(56) **References Cited**

U.S. PATENT DOCUMENTS

4,915,649 A * 4/1990 Shimazu et al. 439/490
D309,289 S * 7/1990 Endo et al. D13/147

D311,379 S * 10/1990 Kuzuno et al. D13/147
D323,811 S * 2/1992 Sueyoshi et al. D13/146
D324,202 S * 2/1992 Sueyoshi et al. D13/146
D324,206 S * 2/1992 Sueyoshi et al. D13/147
5,711,684 A * 1/1998 Inoue et al. 439/354

* cited by examiner

Primary Examiner — Daniel Bui

(74) *Attorney, Agent, or Firm* — Wenderoth, Lind & Ponack, L.L.P.

(57) **CLAIM**

The ornamental design for an electric connector, as shown and described.

DESCRIPTION

FIG. 1 is a front, top and right side perspective view of an electric connector showing our new design;
FIG. 2 is a rear, top and left side perspective view thereof;
FIG. 3 is a front elevation view thereof;
FIG. 4 is a rear elevation view thereof;
FIG. 5 is a top plan view thereof;
FIG. 6 is a bottom plan view thereof;
FIG. 7 is a right side elevation view thereof; and,
FIG. 8 is a cross-sectional view thereof, taken along line "8-8" of FIG. 3.

The even-broken lines in the drawing views represent unclaimed environment only and form no part of the claimed design. The dash-dot line represents the boundary of the claimed design.

1 Claim, 6 Drawing Sheets

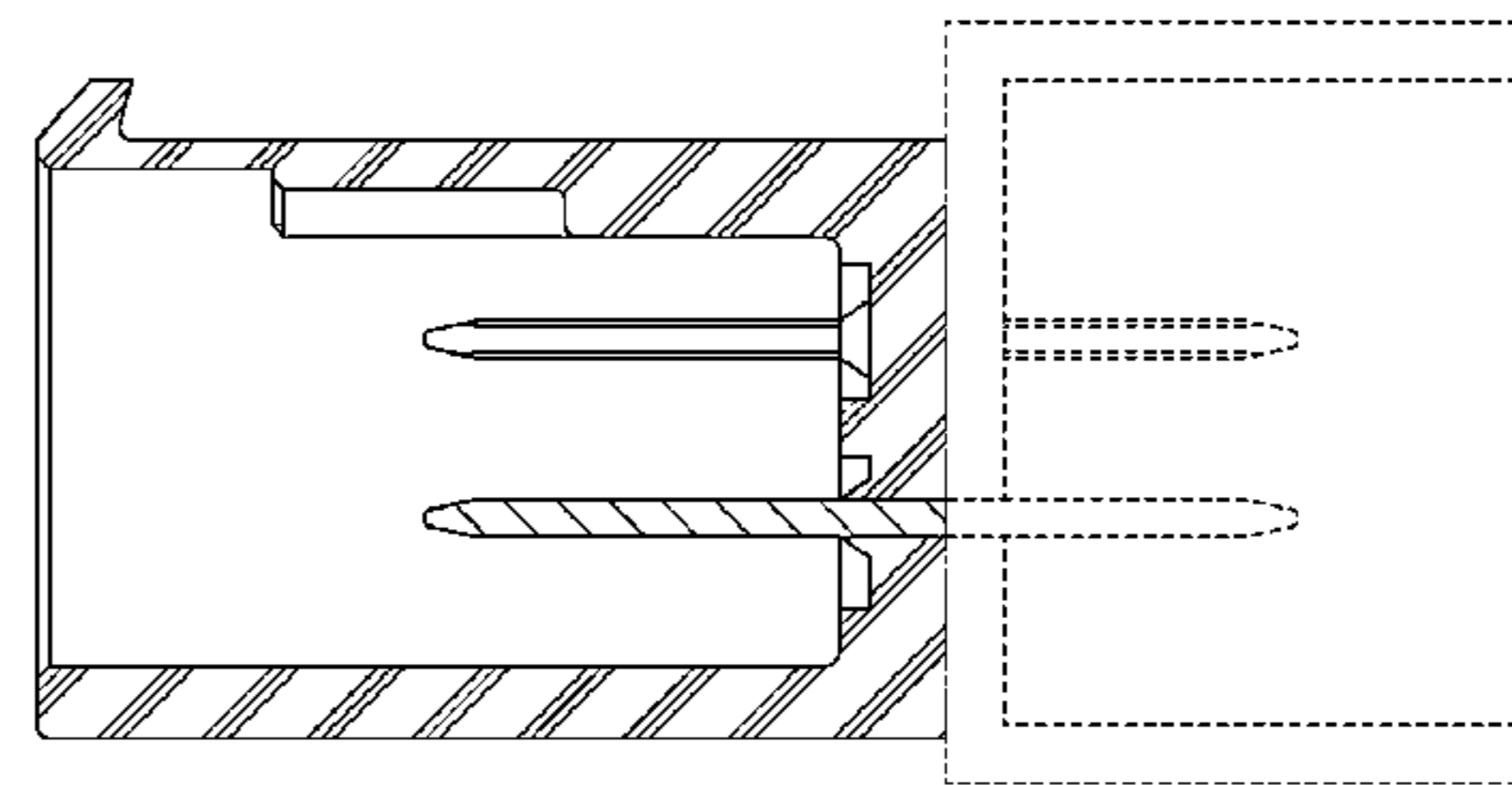
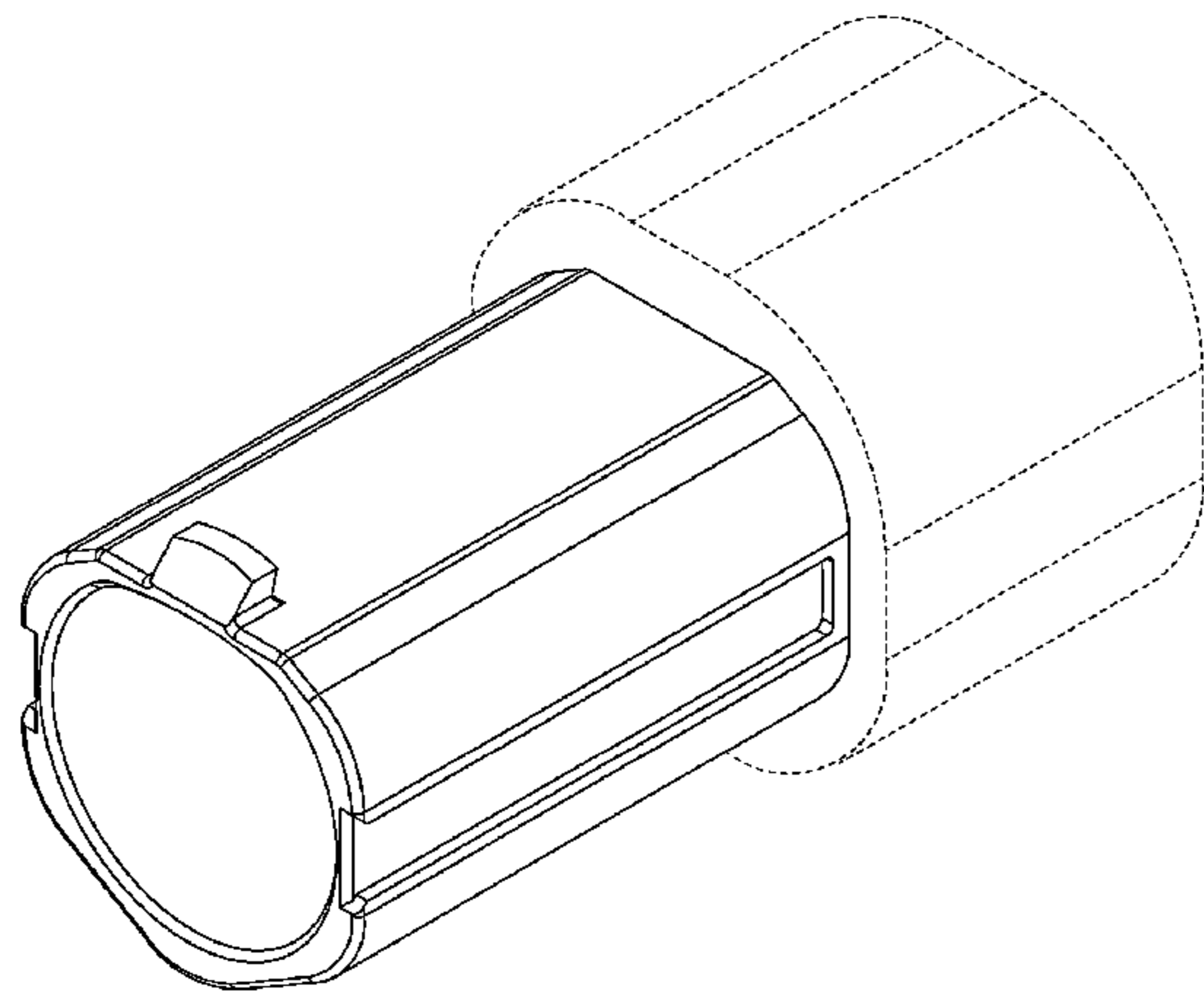


FIG. 1

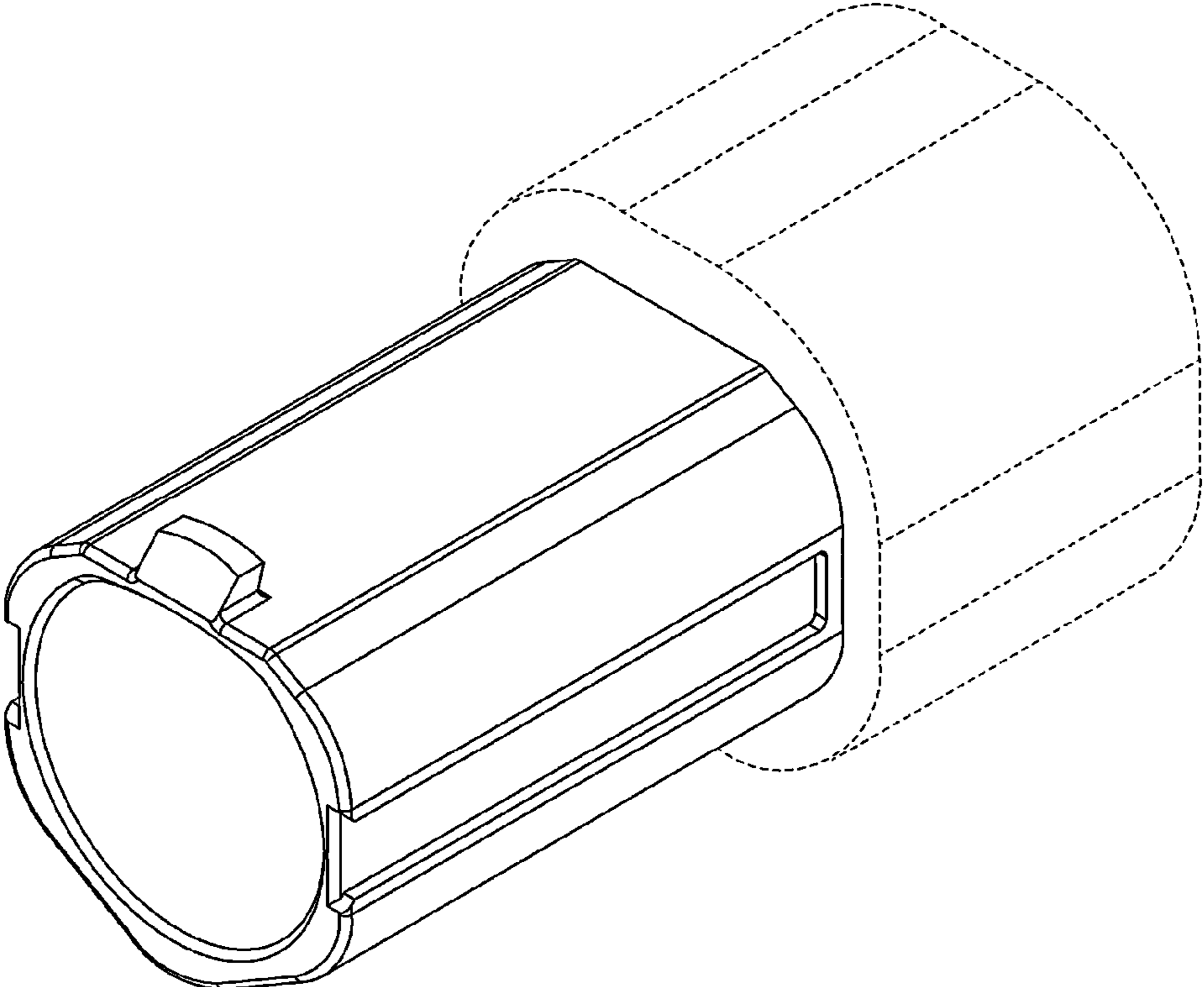


FIG. 2

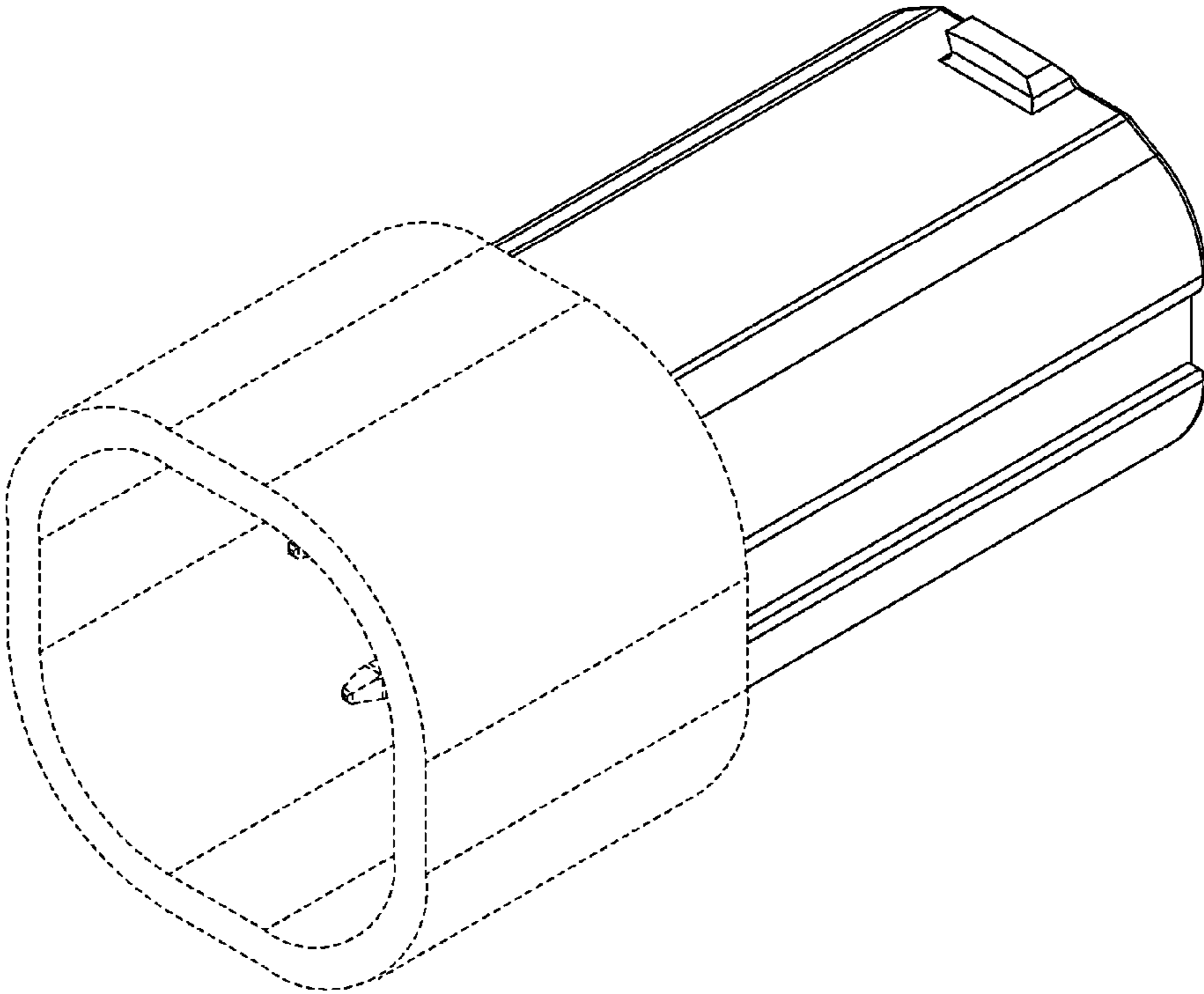


FIG. 3

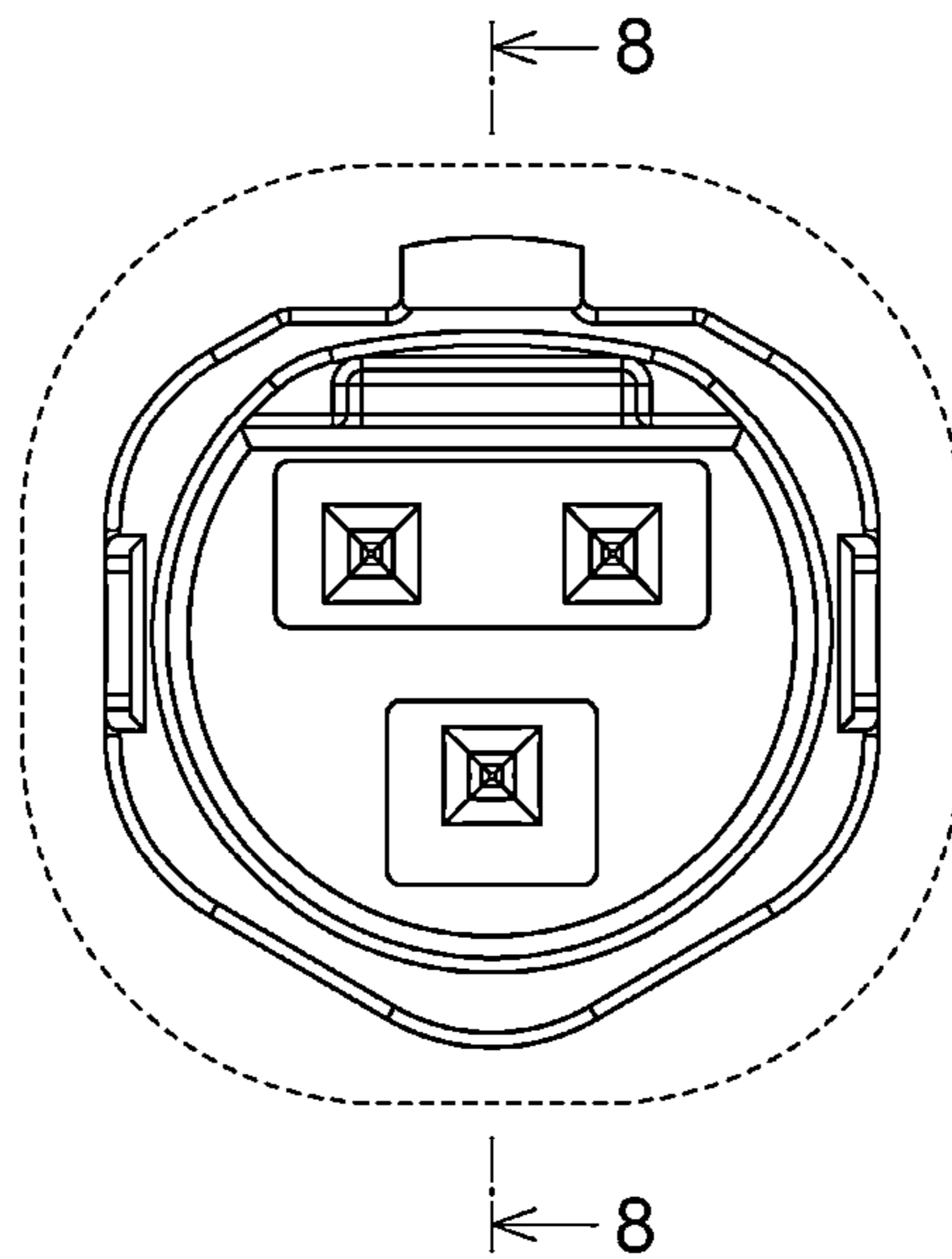


FIG. 4

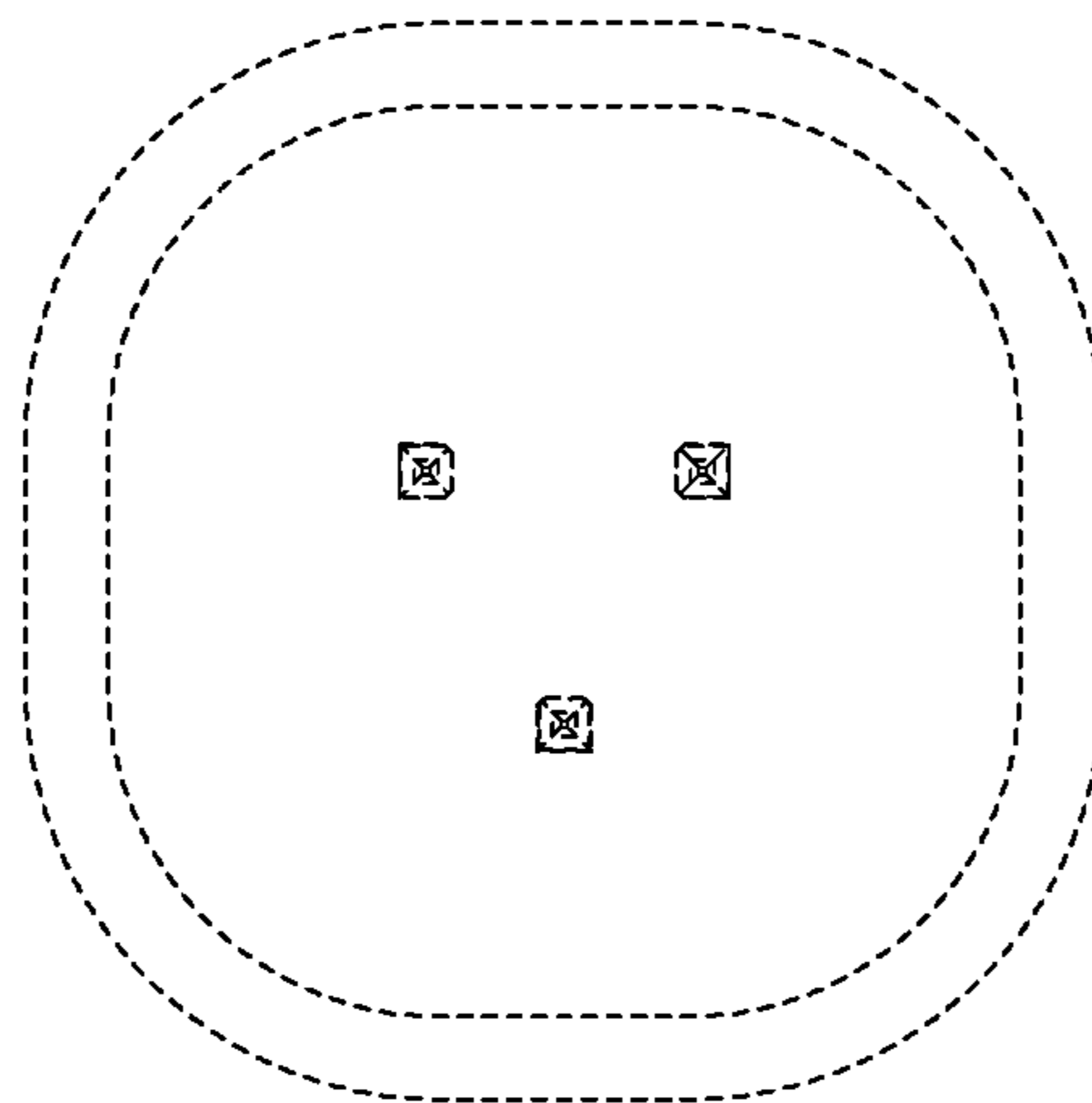


FIG. 5

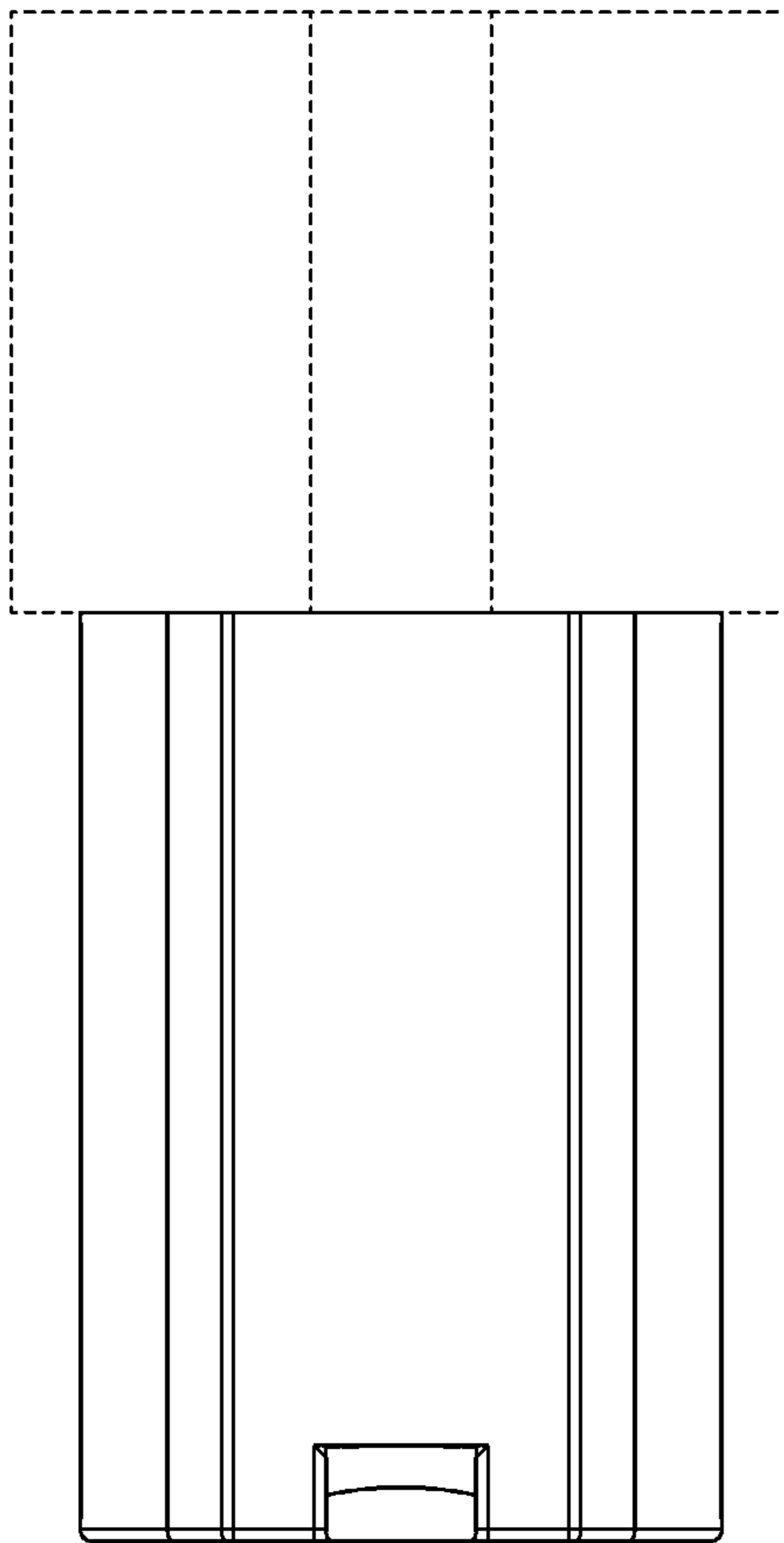


FIG. 6

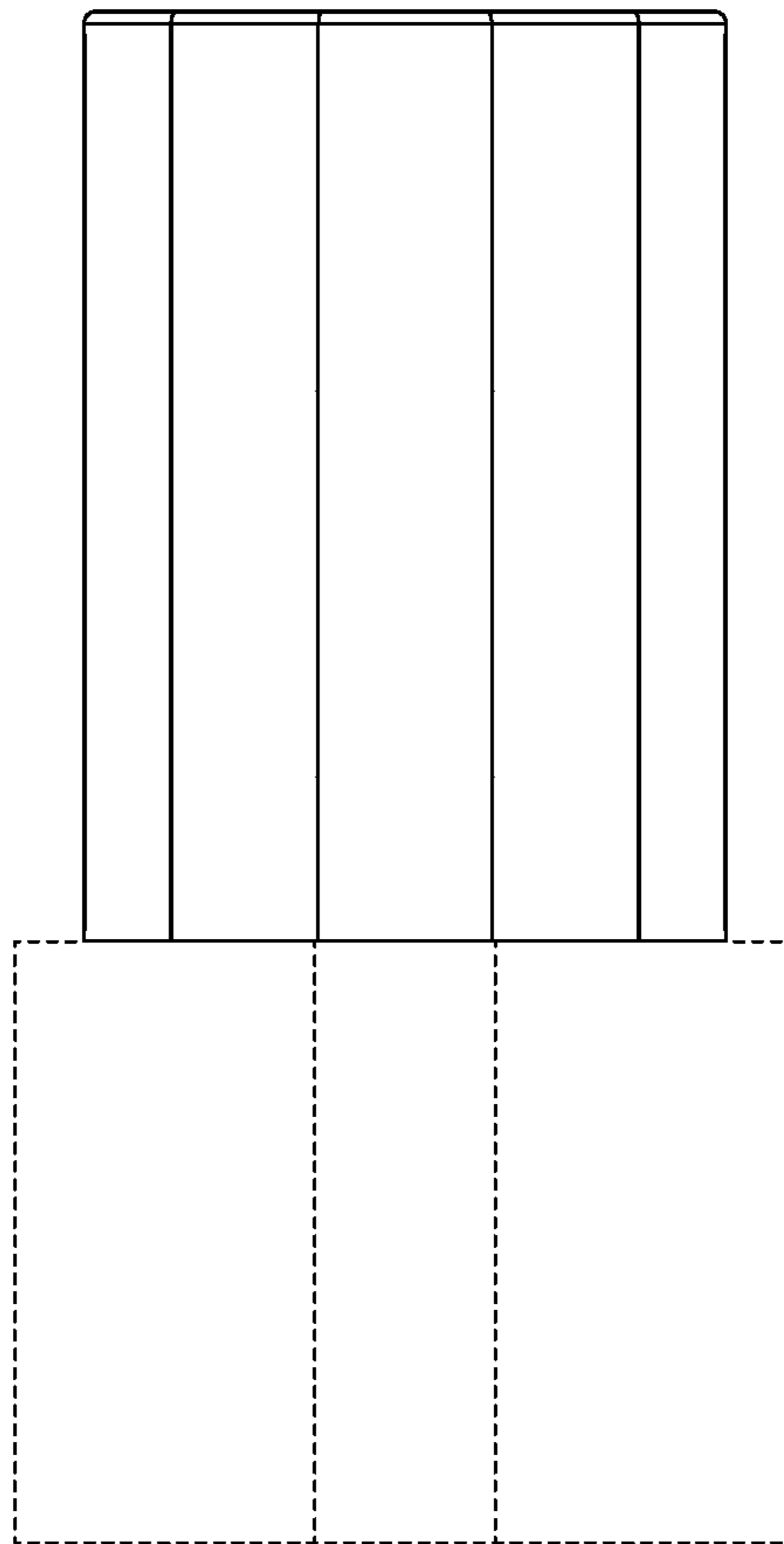


FIG. 7

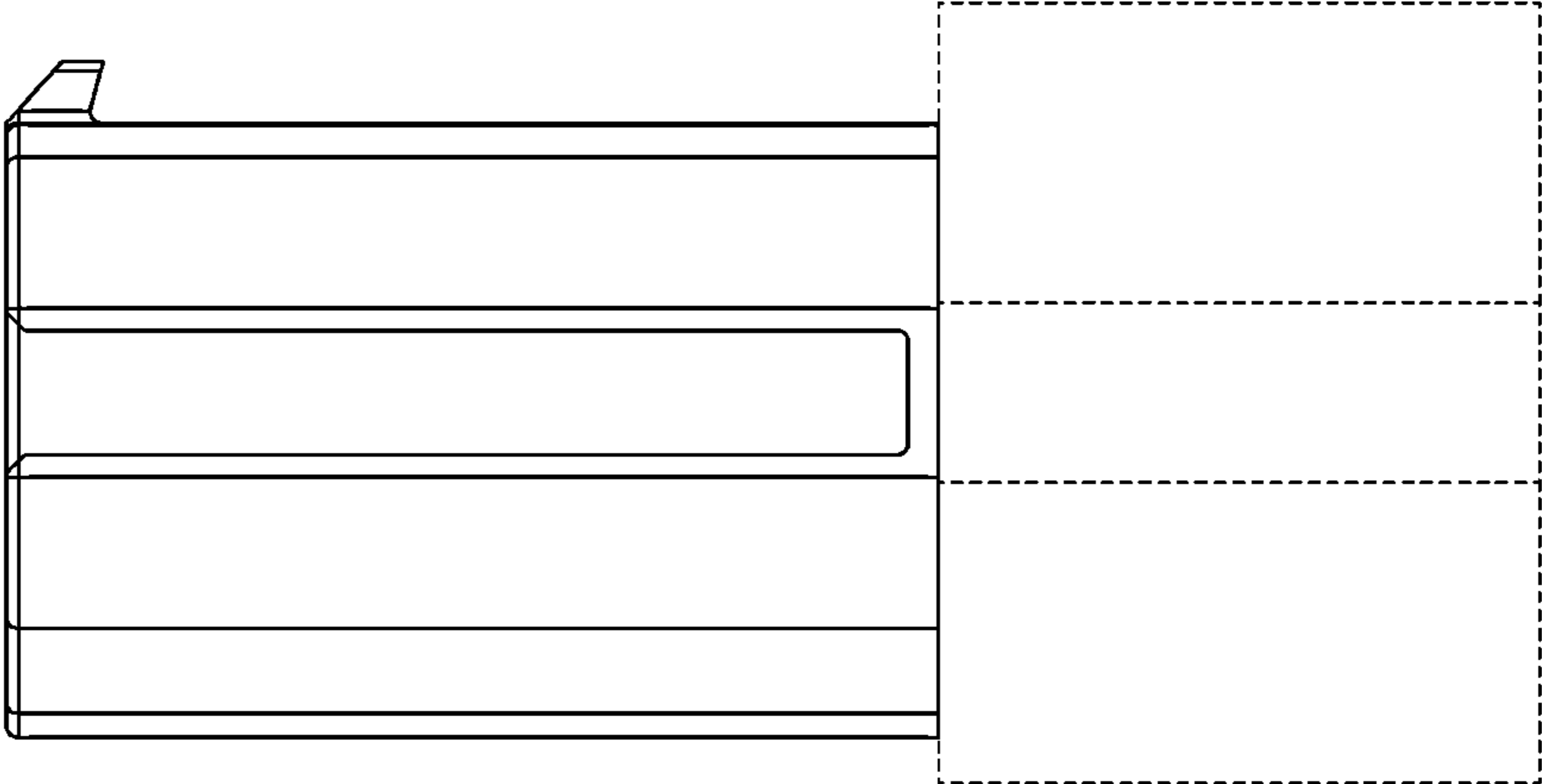


FIG. 8

