



US00D739822S

(12) **United States Design Patent**  
**Severing**

(10) **Patent No.:** **US D739,822 S**

(45) **Date of Patent:** **\*\* Sep. 29, 2015**

(54) **ELECTRICAL CONNECTOR**

(56) **References Cited**

(71) Applicant: **Phoenix Contact GmbH & Co. KG,**  
Blomberg (DE)

U.S. PATENT DOCUMENTS

(72) Inventor: **Sven Severing,** Bielefeld (DE)

D473,519 S *	4/2003	Borst .....	D13/147
D475,973 S *	6/2003	Xu et al. ....	D13/147
D618,619 S *	6/2010	Walter .....	D13/147
D625,270 S *	10/2010	Schafmeister .....	D13/147
D676,391 S *	2/2013	Gassauer .....	D13/147

(73) Assignee: **PHOENIX CONTACT GMBH & CO. KG,** Blomberg (DE)

\* cited by examiner

(\*\*) Term: **14 Years**

*Primary Examiner* — Daniel Bui

(21) Appl. No.: **29/461,668**

(74) *Attorney, Agent, or Firm* — Leydig, Voit & Mayer, Ltd.

(22) Filed: **Jul. 26, 2013**

(57) **CLAIM**

The ornamental design for electrical connector, as shown.

(30) **Foreign Application Priority Data**

**DESCRIPTION**

Feb. 22, 2013	(EM) .....	002190058-0003
Feb. 22, 2013	(EM) .....	002190058-0004
Feb. 22, 2013	(EM) .....	002190058-0005
Feb. 22, 2013	(EM) .....	002190058-0006

FIG. 1 is a top, right, and front perspective view of an electrical connector showing my new design;  
FIG. 2 is a bottom plan view thereof;  
FIG. 3 is a right side elevation view thereof;  
FIG. 4 is a front elevation view thereof;  
FIG. 5 is a left side elevation view thereof;  
FIG. 6 is a rear elevation view thereof; and,  
FIG. 7 is a top plan view thereof.

(51) **LOC (10) Cl.** ..... **13-03**

(52) **U.S. Cl.**  
USPC ..... **D13/146**

(58) **Field of Classification Search**  
USPC ..... D13/147, 154, 184, 199  
See application file for complete search history.

**1 Claim, 7 Drawing Sheets**

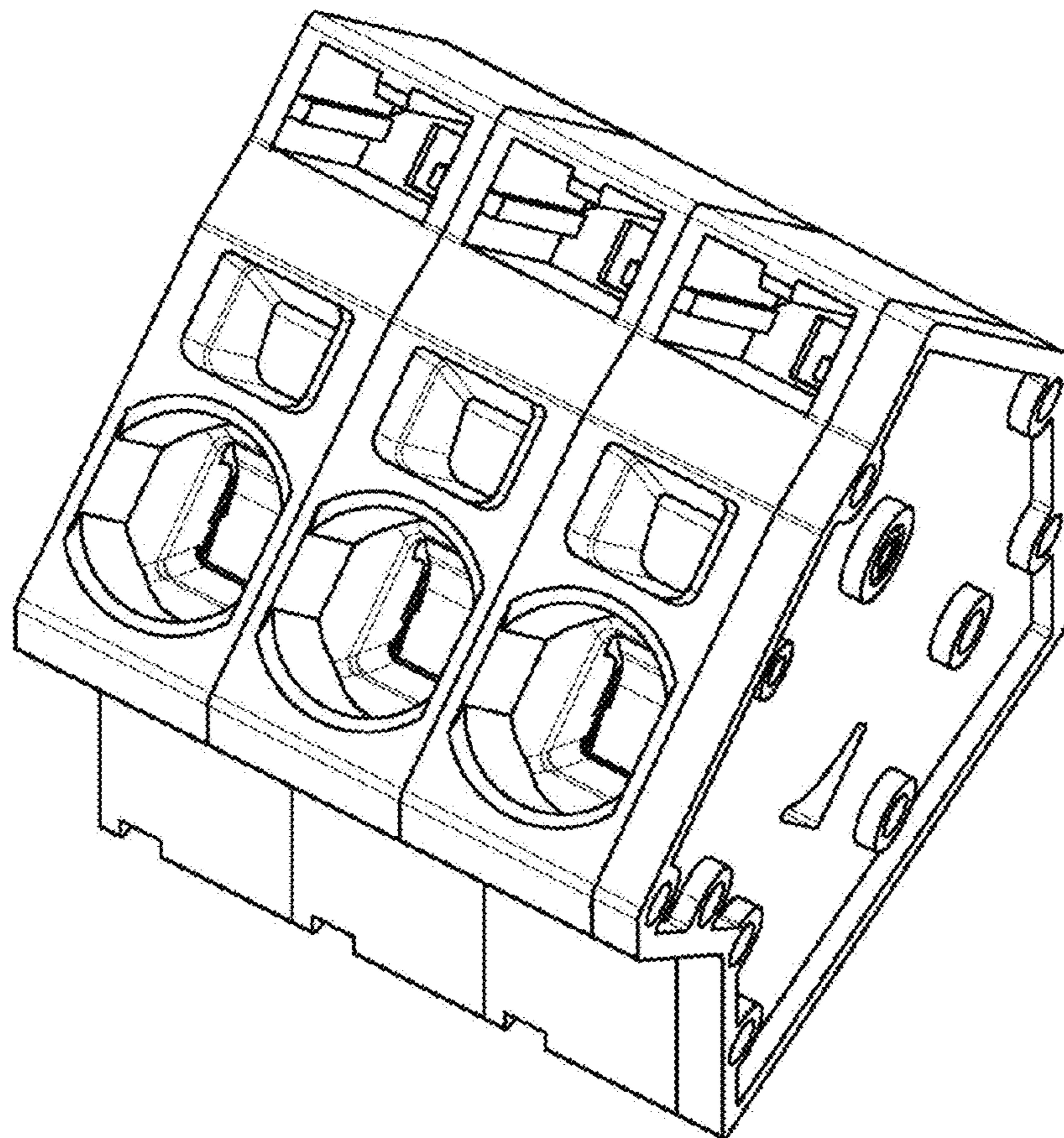


Fig. 1

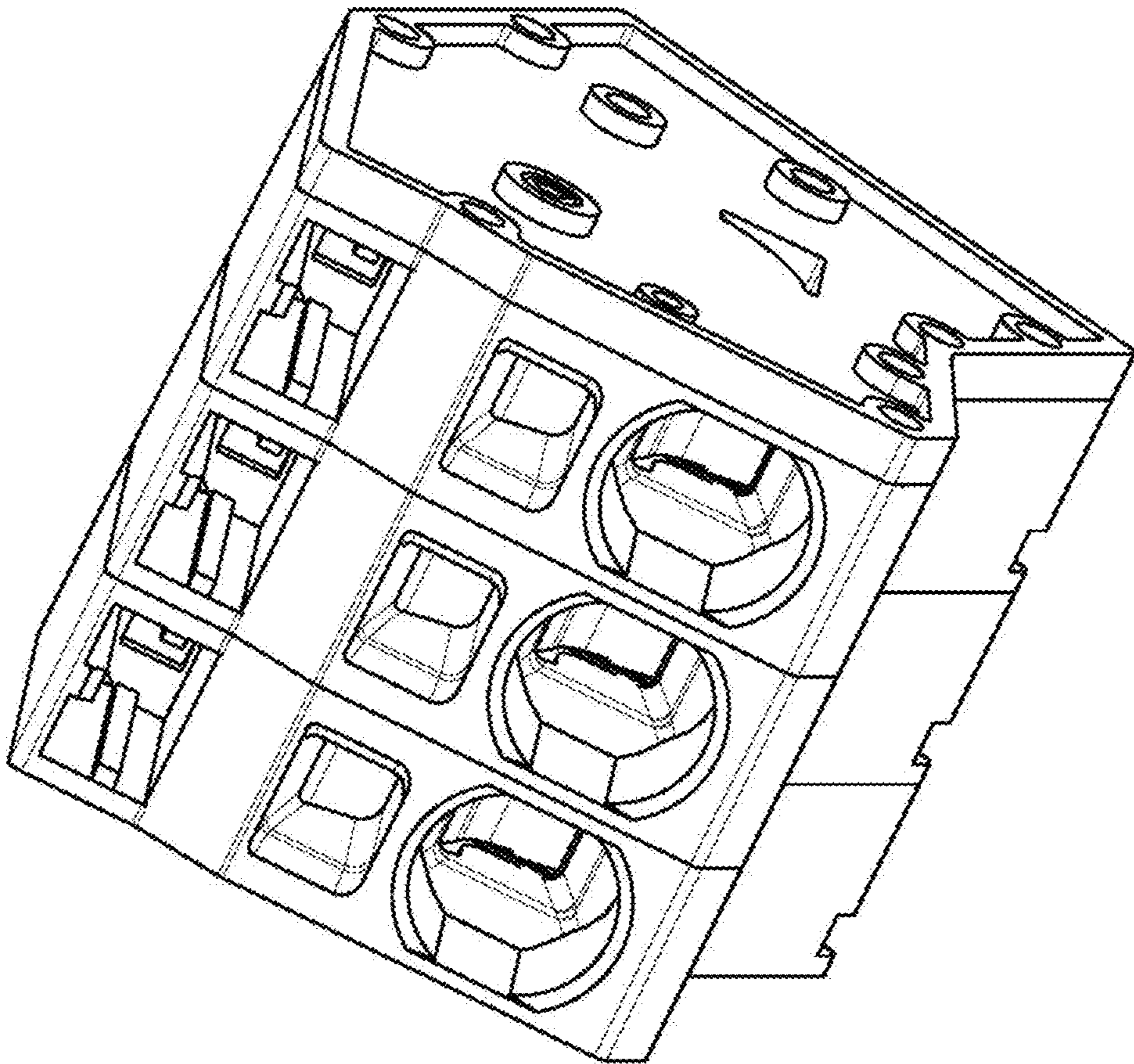


Fig. 2

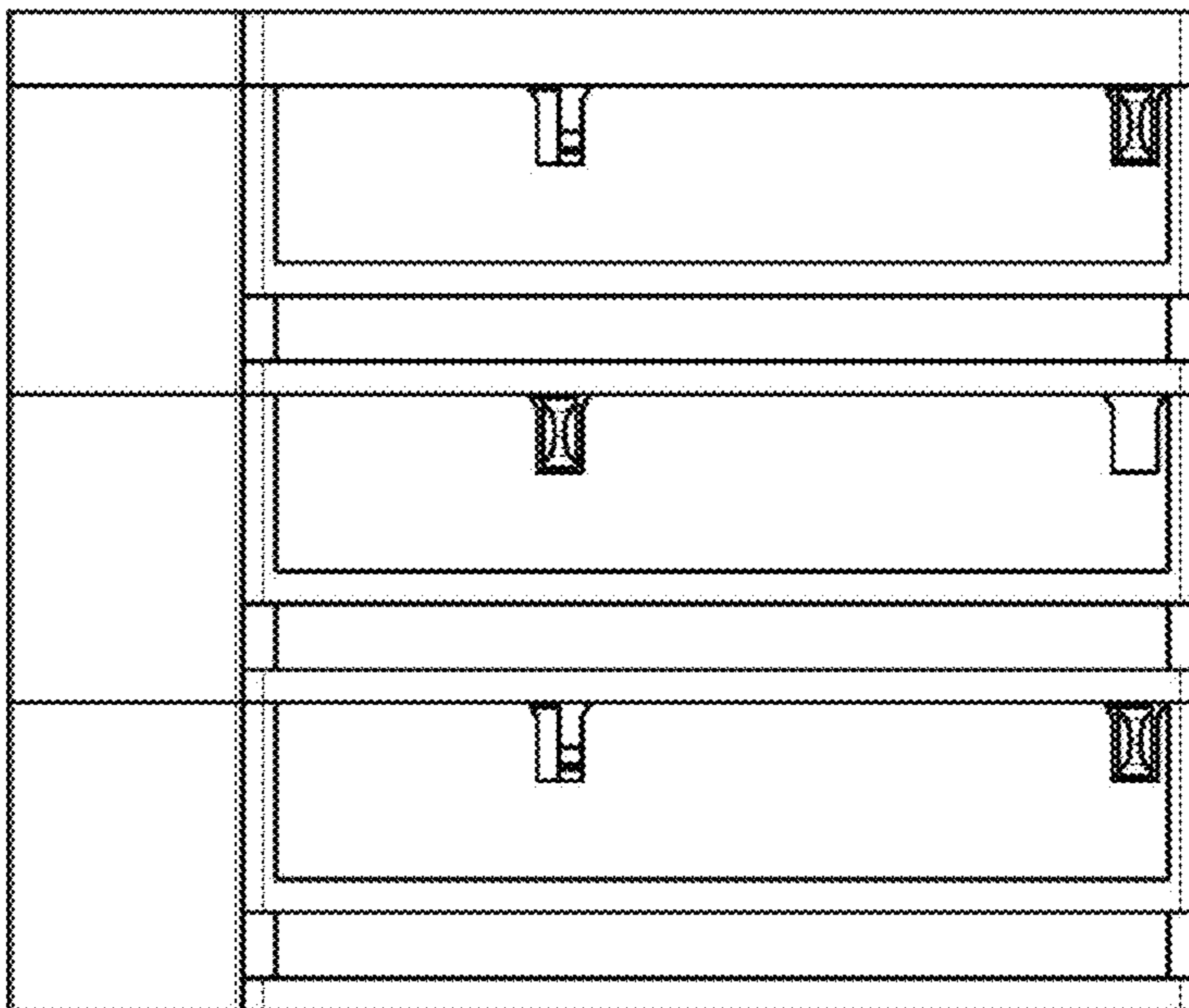




Fig. 3

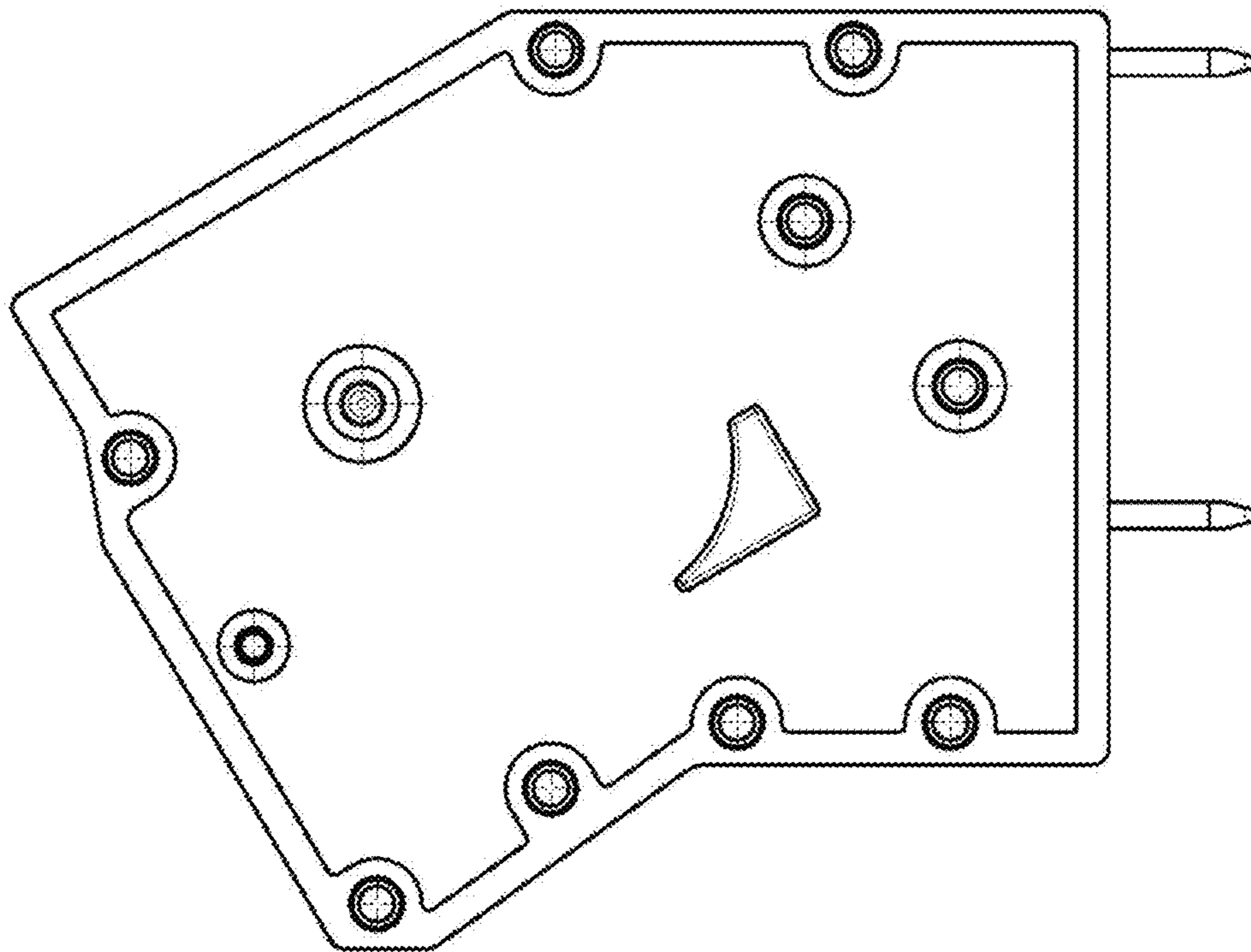


Fig. 4

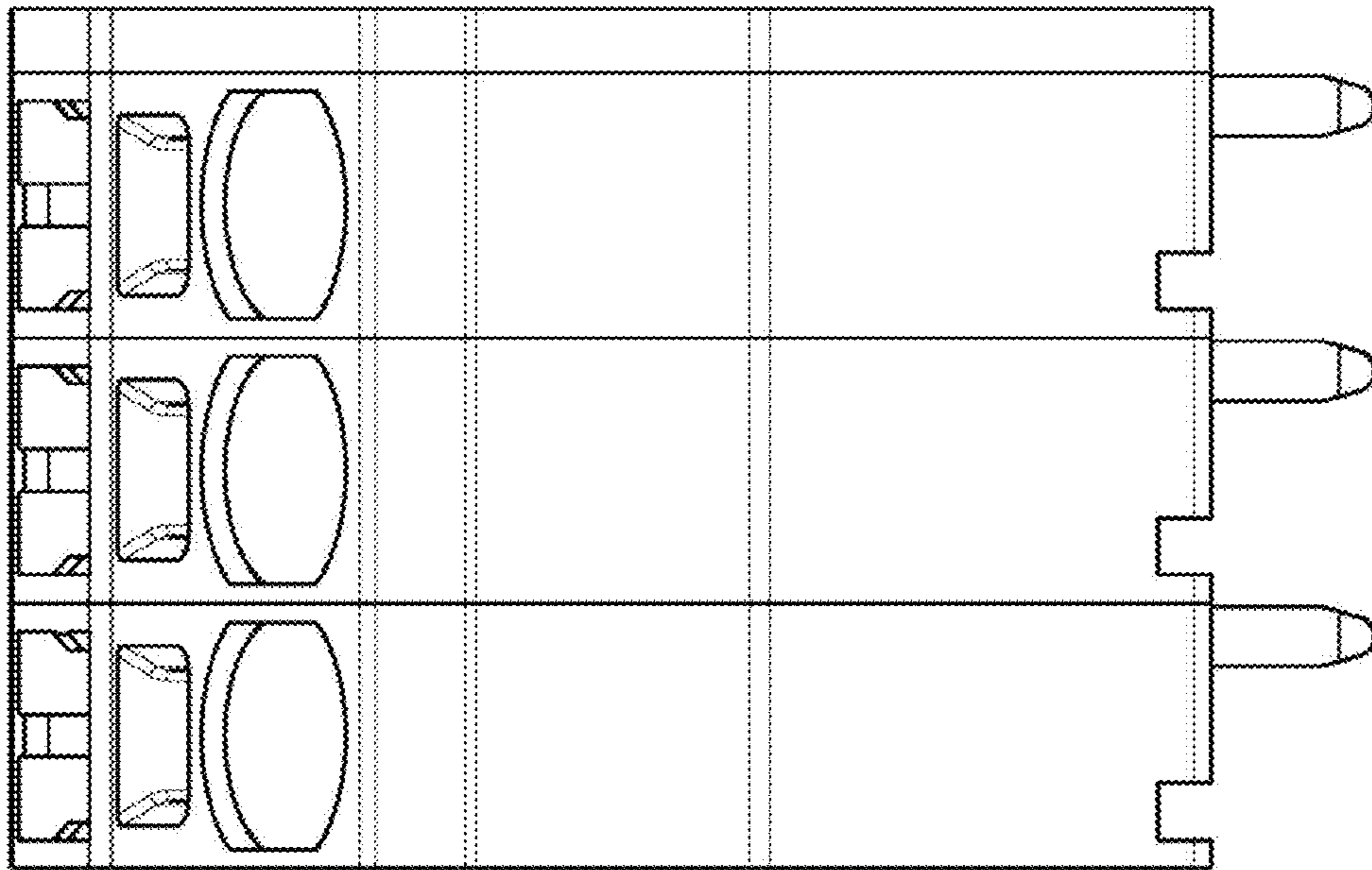


Fig. 5

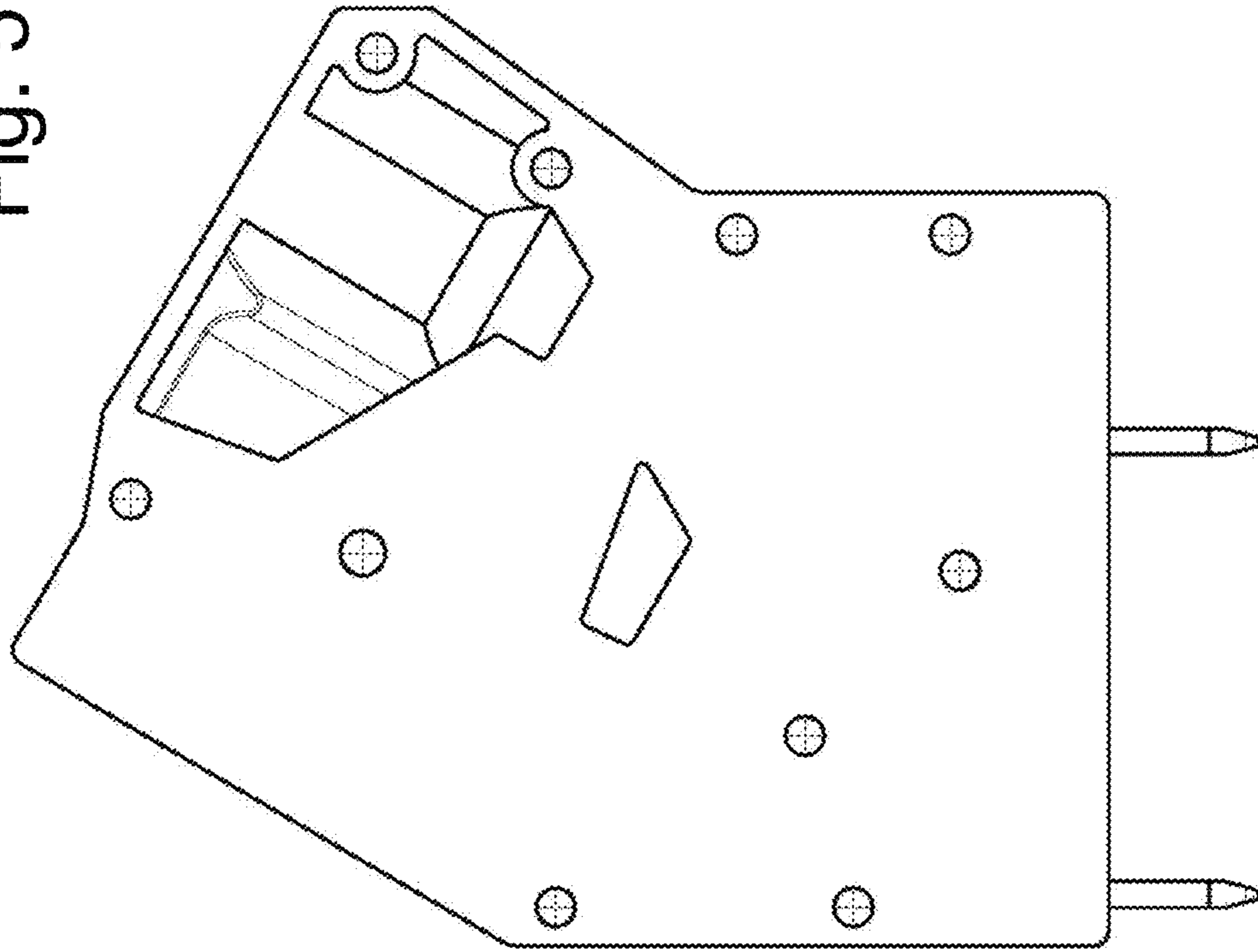


Fig. 6

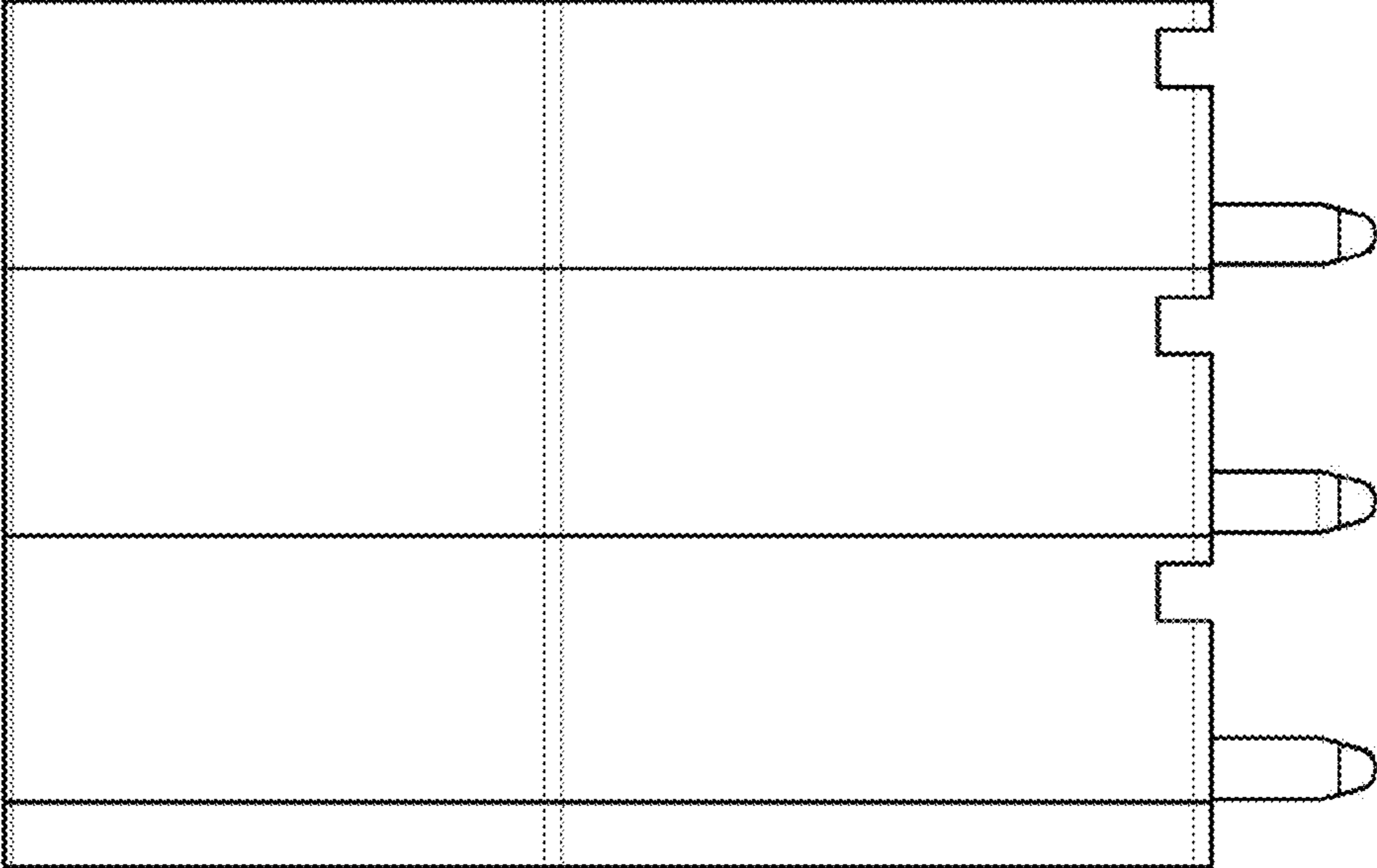


Fig. 7

