



US00D739821S

(12) **United States Design Patent**
Byrne et al.

(10) **Patent No.:** **US D739,821 S**
(45) **Date of Patent:** **** Sep. 29, 2015**

(54) **POWER CENTER FOR A WORK SURFACE**

(71) Applicants: **Norman R. Byrne**, Ada, MI (US);
Daniel P. Byrne, Lowell, MI (US)

(72) Inventors: **Norman R. Byrne**, Ada, MI (US);
Daniel P. Byrne, Lowell, MI (US)

(**) Term: **14 Years**

(21) Appl. No.: **29/509,177**

(22) Filed: **Nov. 14, 2014**

Related U.S. Application Data

(63) Continuation of application No. 29/488,043, filed on
Apr. 15, 2014, now abandoned.

(51) **LOC (10) Cl.** **13-03**

(52) **U.S. Cl.**
USPC **D13/139.4**

(58) **Field of Classification Search**
USPC D13/137.1–137.4, 139.1–139.8, 199;
220/3.2–3.8, 3.94; 174/56, 48, 55, 57,
174/392, 490, 53, 58; 439/539, 131, 214,
439/215, 535, 538, 544, 571, 721, 652, 738,
439/723

See application file for complete search history.

(56) **References Cited**

U.S. PATENT DOCUMENTS

D78,966 S * 7/1929 Conner D13/139.7
D122,497 S * 9/1940 McCarthy D13/139.4
2,907,318 A 10/1959 Awot
2,907,813 A 10/1959 Hudson
3,209,209 A 9/1965 Mueller
3,542,237 A 11/1970 Butler
3,756,447 A 9/1973 Hadfield
4,044,908 A 8/1977 Dauberger
4,230,234 A * 10/1980 Taylor 220/484
4,240,688 A 12/1980 Sotolongo
4,266,266 A 5/1981 Sanner
4,323,723 A 4/1982 Fork et al.
4,453,059 A 6/1984 Fukushima

4,470,656 A 9/1984 Moser et al.
5,073,120 A 12/1991 Lincoln et al.
D325,723 S * 4/1992 Gary et al. D13/139.4
5,164,544 A 11/1992 Snodgrass et al.
5,178,555 A 1/1993 Kilpatrick et al.
5,195,288 A 3/1993 Penczak

(Continued)

FOREIGN PATENT DOCUMENTS

GB 4025455 7/2012

Primary Examiner — Holly Baynham

Assistant Examiner — Rhea Shields

(74) *Attorney, Agent, or Firm* — Gardner, Linn, Burkhardt &
Flory, LLP

(57) **CLAIM**

The ornamental design for a power center for a work surface,
as shown and described.

DESCRIPTION

FIG. 1 is a top perspective view of a power center for a work
surface showing our new design, shown in combination with
a fastening collar;

FIG. 2 is another top perspective view of the power center for
a work surface of FIG. 1, shown with the fastening collar
engaged;

FIG. 3 is a top plan view of the power center for a work surface
of FIG. 1;

FIG. 4 is a bottom plan view of the power center for a work
surface of FIG. 1;

FIG. 5 is a front elevation of the power center for a work
surface of FIG. 1;

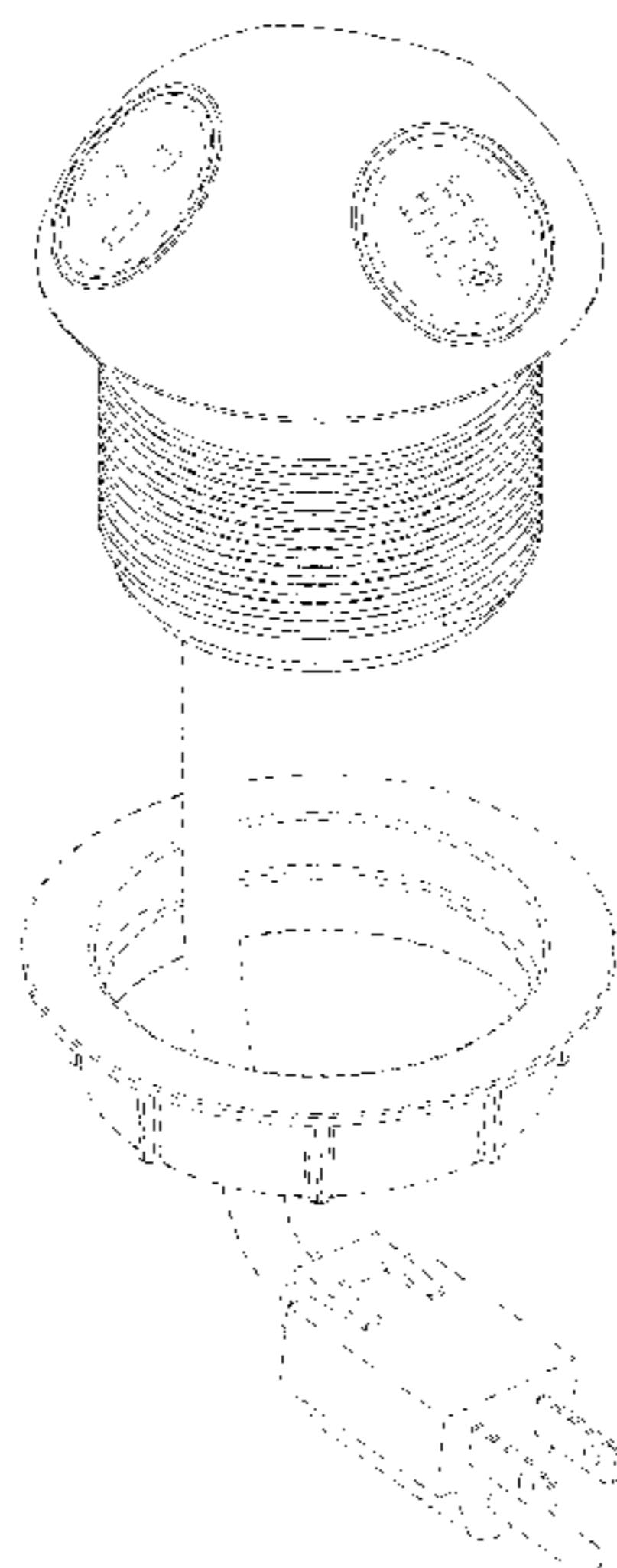
FIG. 6 is a rear elevation of the power center for a work
surface of FIG. 1;

FIG. 7 is a left side elevation of the power center for a work
surface of FIG. 1; and,

FIG. 8 is a right side elevation of the power center for a work
surface of FIG. 1.

In the drawings, the broken lines depict environmental sub-
ject matter only and form no part of the claimed design.

1 Claim, 4 Drawing Sheets



(56)

References Cited

U.S. PATENT DOCUMENTS

5,231,562	A	7/1993	Pierce et al.				
D355,890	S	2/1995	Lentz				
D366,865	S	2/1996	Stringer				
5,518,417	A	5/1996	Liu				
D389,459	S	1/1998	Byrne				
5,705,772	A	1/1998	Brown				
D399,826	S	10/1998	Byrne				
D405,416	S	2/1999	Byrne				
5,888,093	A	3/1999	Polgar et al.				
D409,980	S	5/1999	Byrne				
D418,814	S *	1/2000	Byrne	D13/146		
D418,815	S	1/2000	Byrne				
6,024,599	A	2/2000	Stathis et al.				
6,081,356	A	6/2000	Branc et al.				
D432,499	S *	10/2000	Stekelenburg	D13/139.6		
D442,066	S *	5/2001	Stekelenburg	D8/358		
D443,590	S *	6/2001	Vende	D13/137.4		
D448,730	S *	10/2001	Lee	D13/137.4		
6,307,152	B1	10/2001	Bonilla et al.				
6,492,591	B1	12/2002	Metcalf				
D469,064	S *	1/2003	Nieto	D13/137.2		
D481,009	S *	10/2003	Stekelenburg	D13/137.4		
D481,357	S *	10/2003	Stekelenburg	D13/139.8		
D482,326	S *	11/2003	Stekelenburg	D13/137.4		
D493,426	S	7/2004	Strayer				
6,923,684	B2	8/2005	Strayer				
D514,518	S *	2/2006	Strayer	D13/139.4		
7,053,296	B2	5/2006	Drane et al.				
7,074,091	B2 *	7/2006	Strayer	439/652		
D534,495	S	1/2007	Gershfeld				
D537,039	S	2/2007	Pincek				
D553,306	S	10/2007	Hansen				
7,758,376	B2 *	7/2010	Hwang et al.	439/501		
7,806,723	B2	10/2010	Chong et al.				
D640,199	S *	6/2011	Wilson	D13/139.7		
D647,853	S	11/2011	Kan				
D653,215	S *	1/2012	Lam	D13/139.8		
8,292,656	B2 *	10/2012	Mydlarz	439/501		
D673,912	S *	1/2013	Benedetti	D13/137.2		
D682,212	S	5/2013	Udagawa et al.				
D685,328	S *	7/2013	Kirtland	D13/137.2		
D714,726	S	10/2014	Byrne et al.				
2006/0258195	A1	11/2006	Schwartz et al.				
2007/0275594	A1	11/2007	Greenberg				
2009/0156061	A1 *	6/2009	Bernstein	439/652		
2012/0031888	A1	2/2012	Byrne				

* cited by examiner

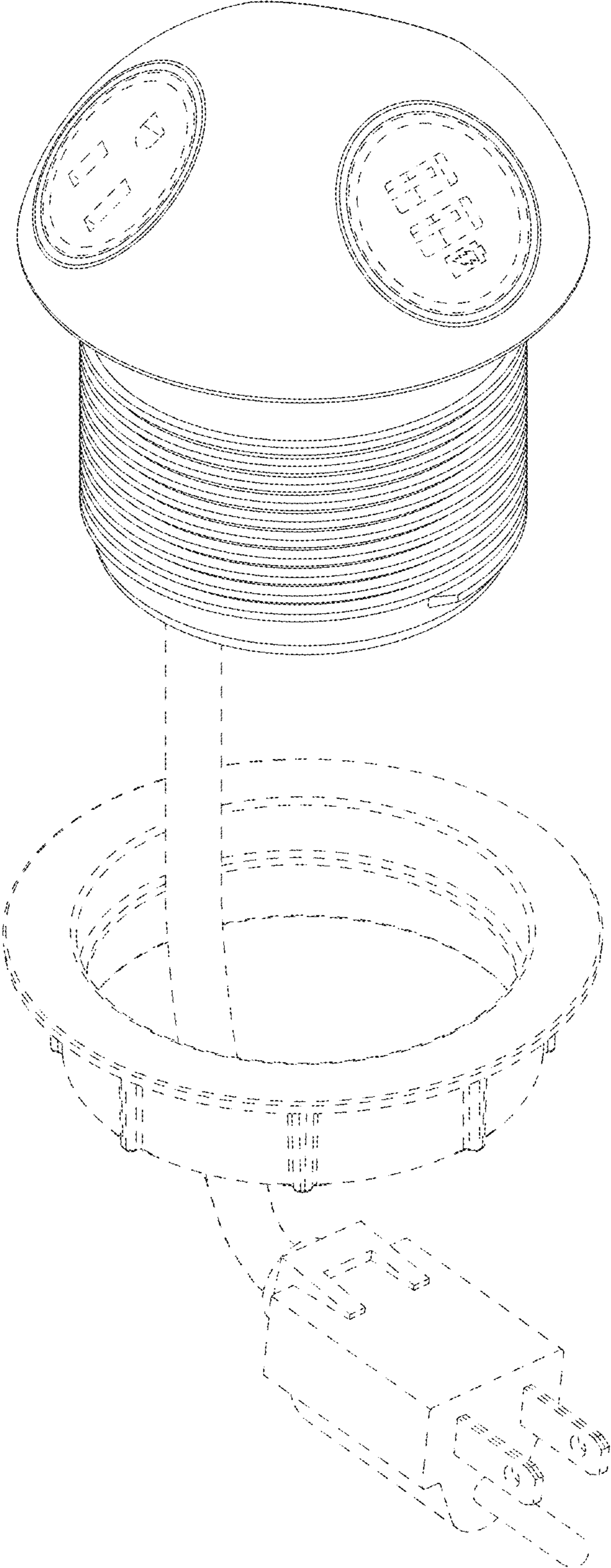


FIG. 1

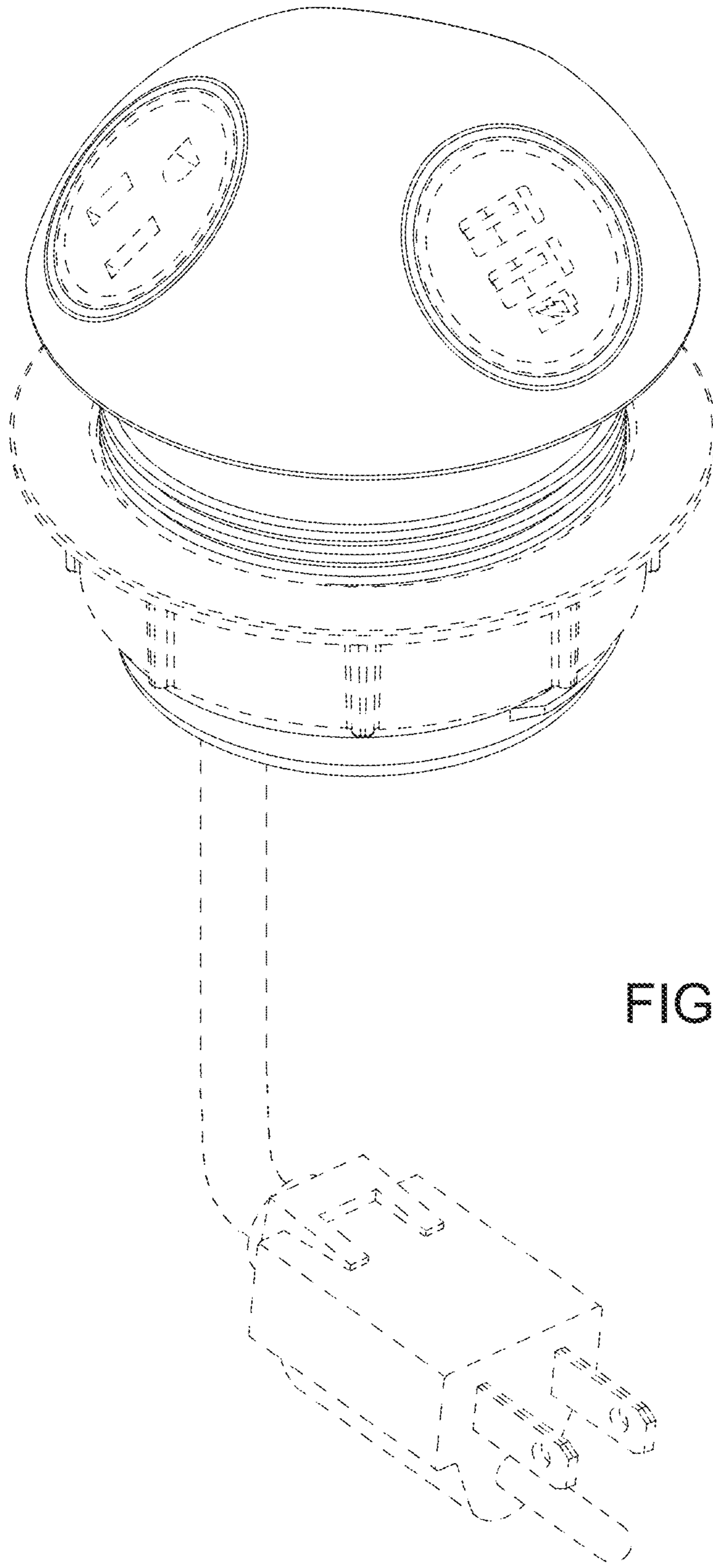


FIG. 2

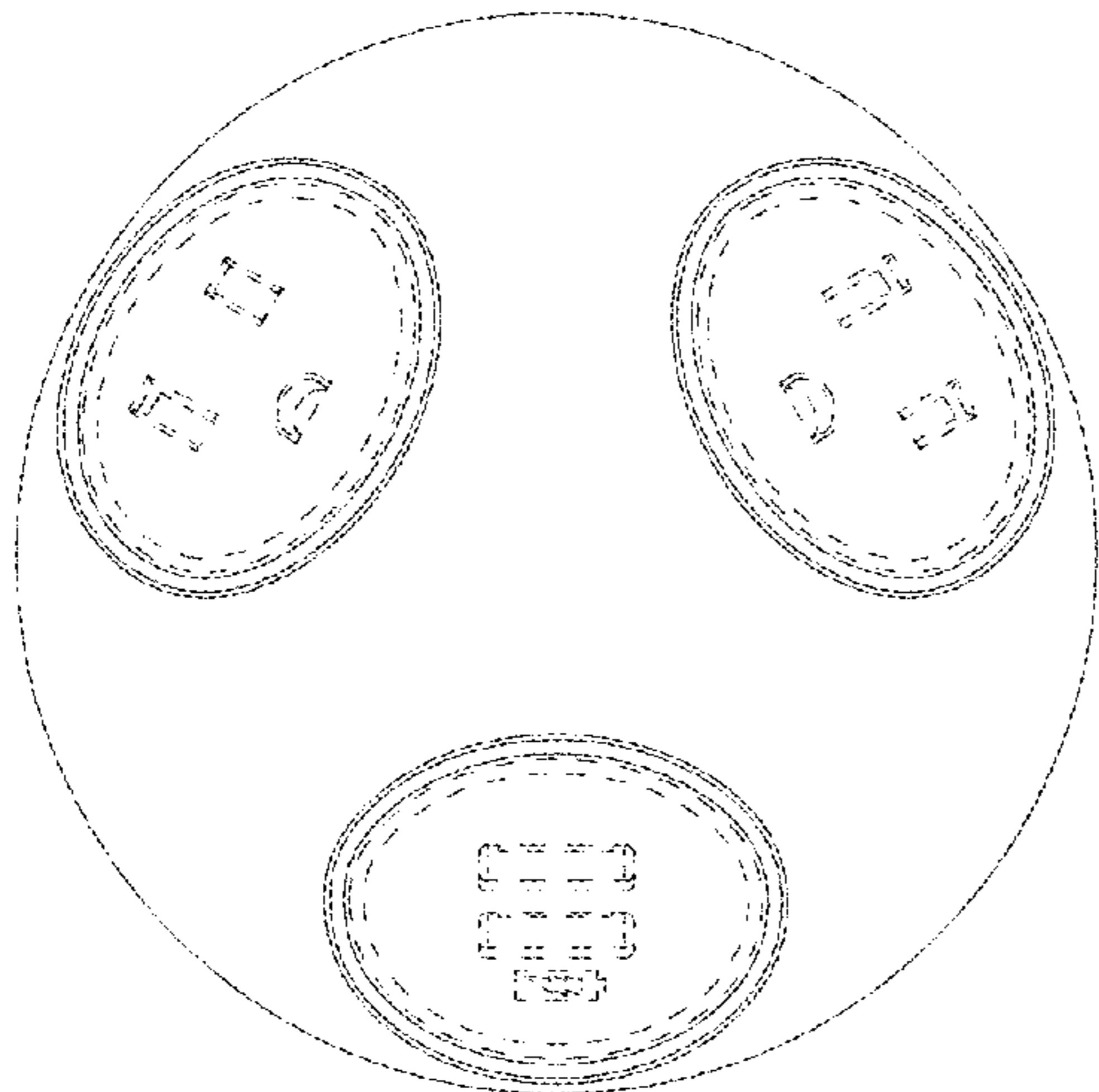


FIG. 3

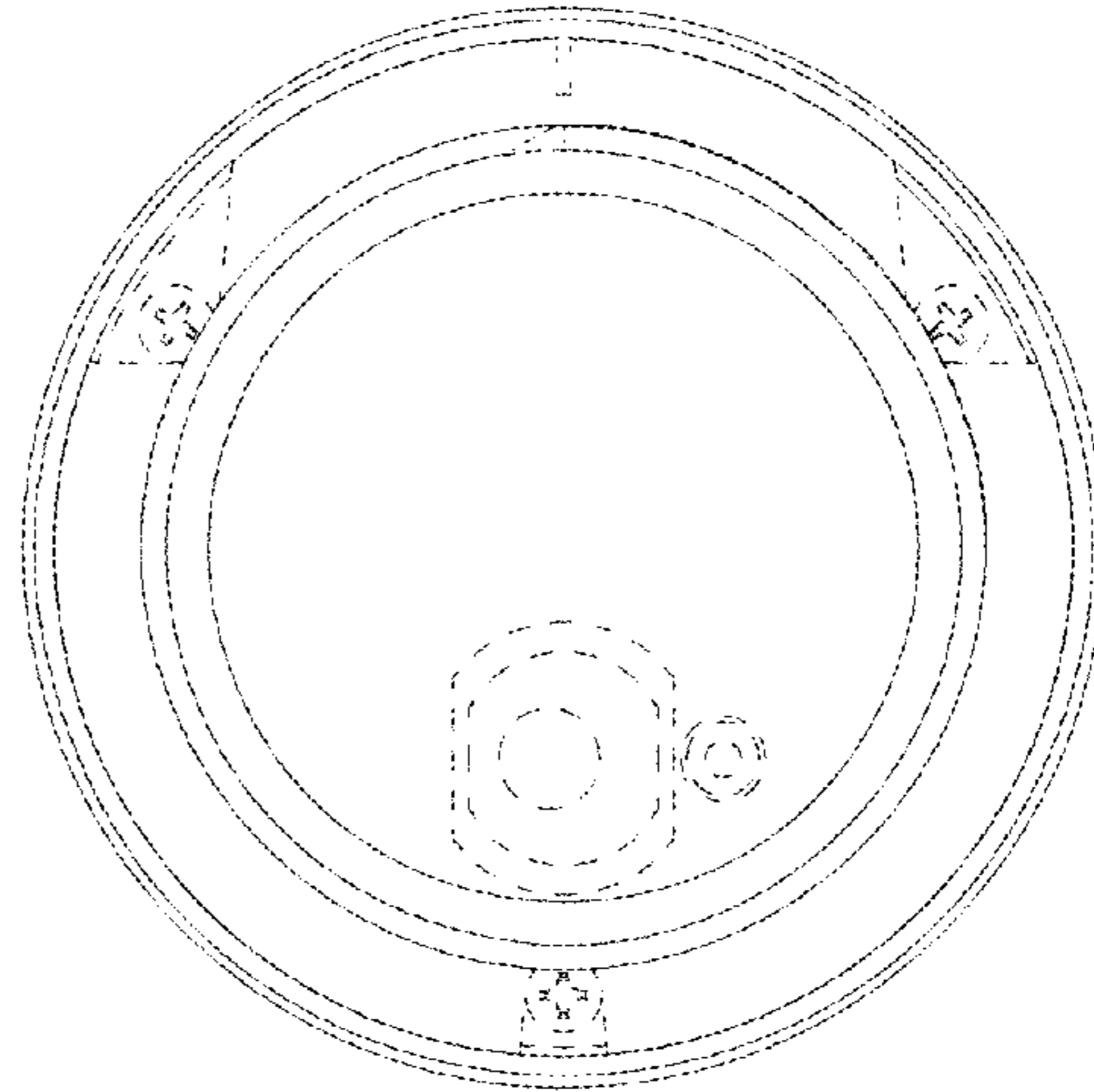


FIG. 4

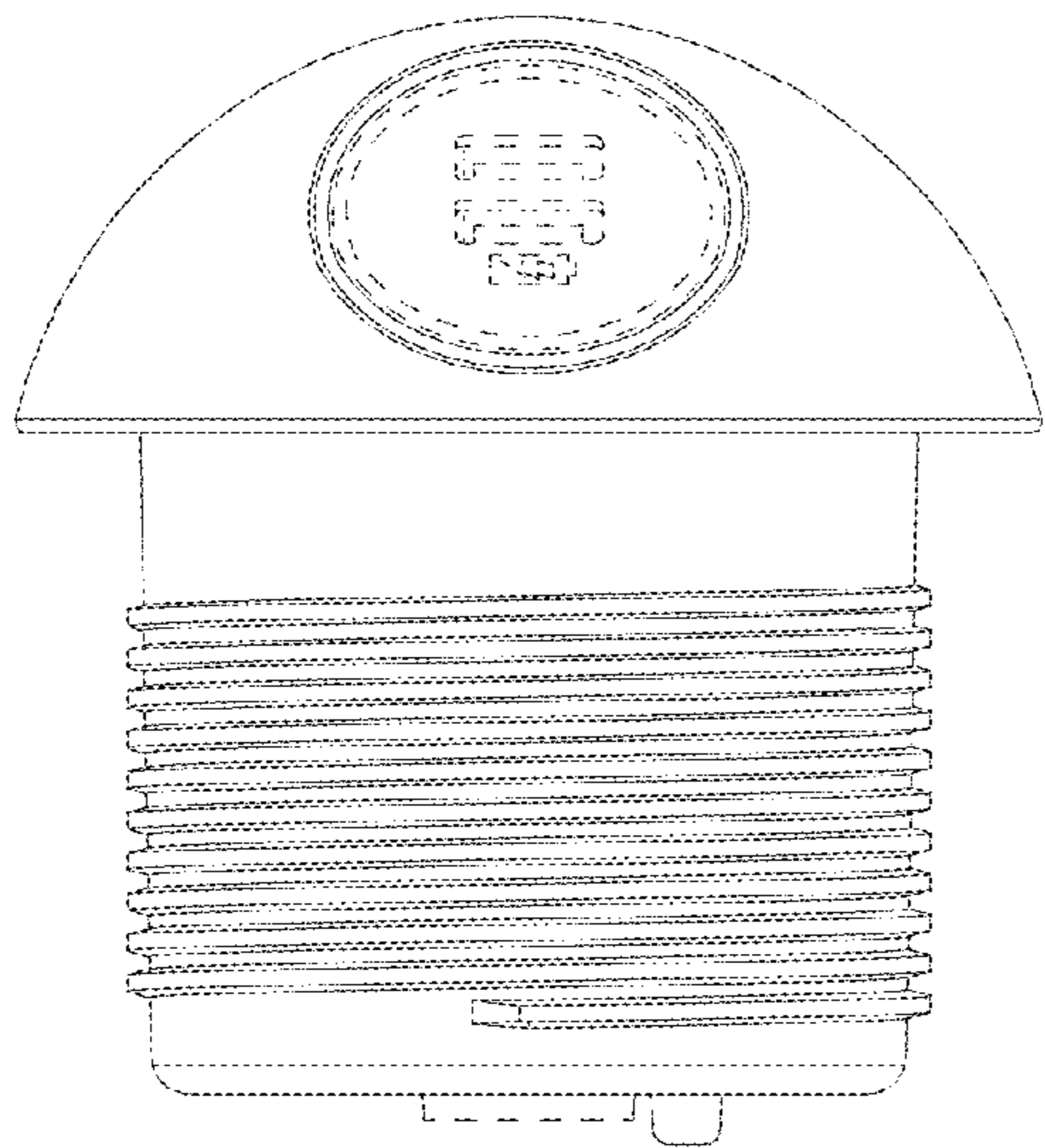


FIG. 5

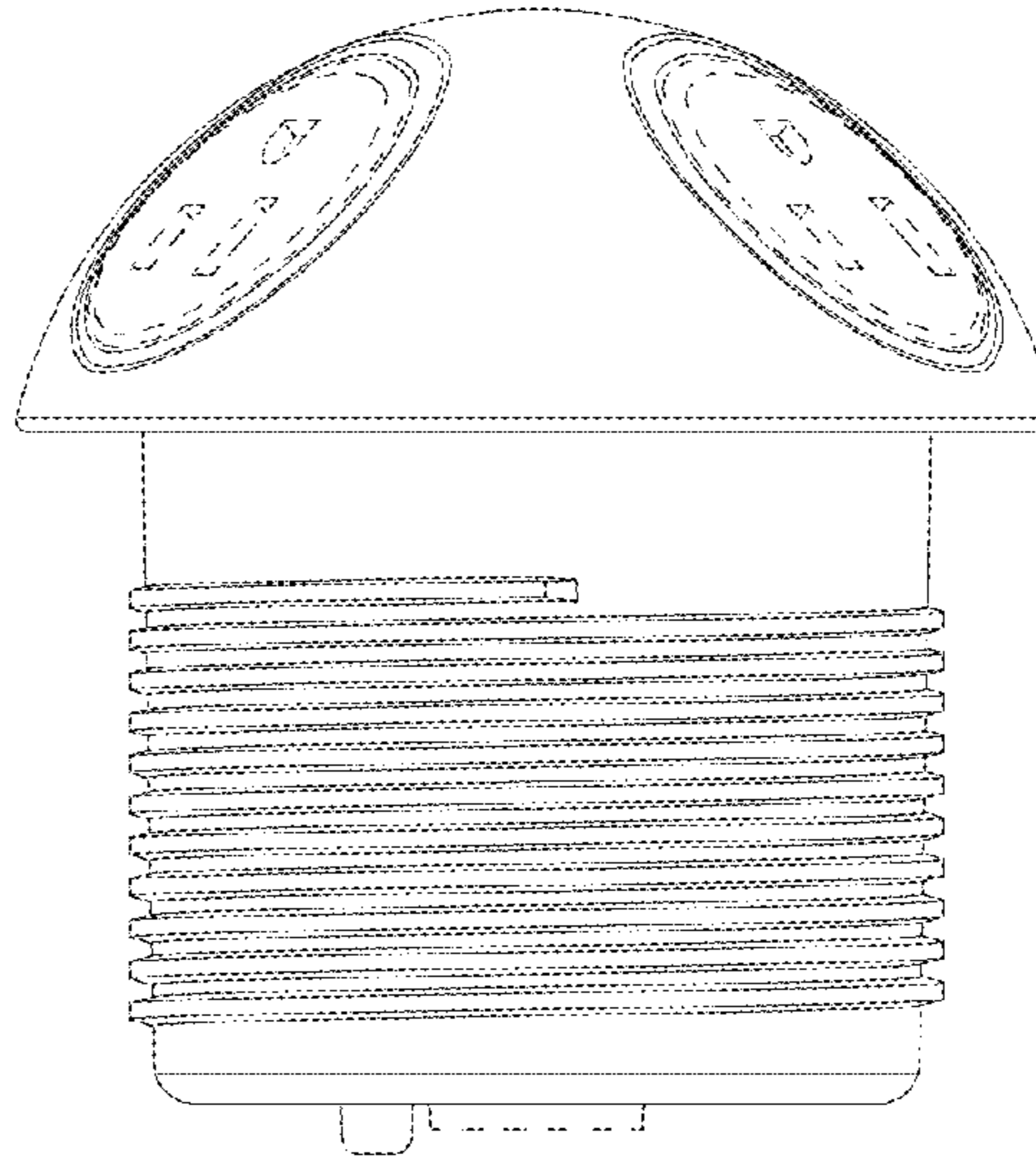


FIG. 6

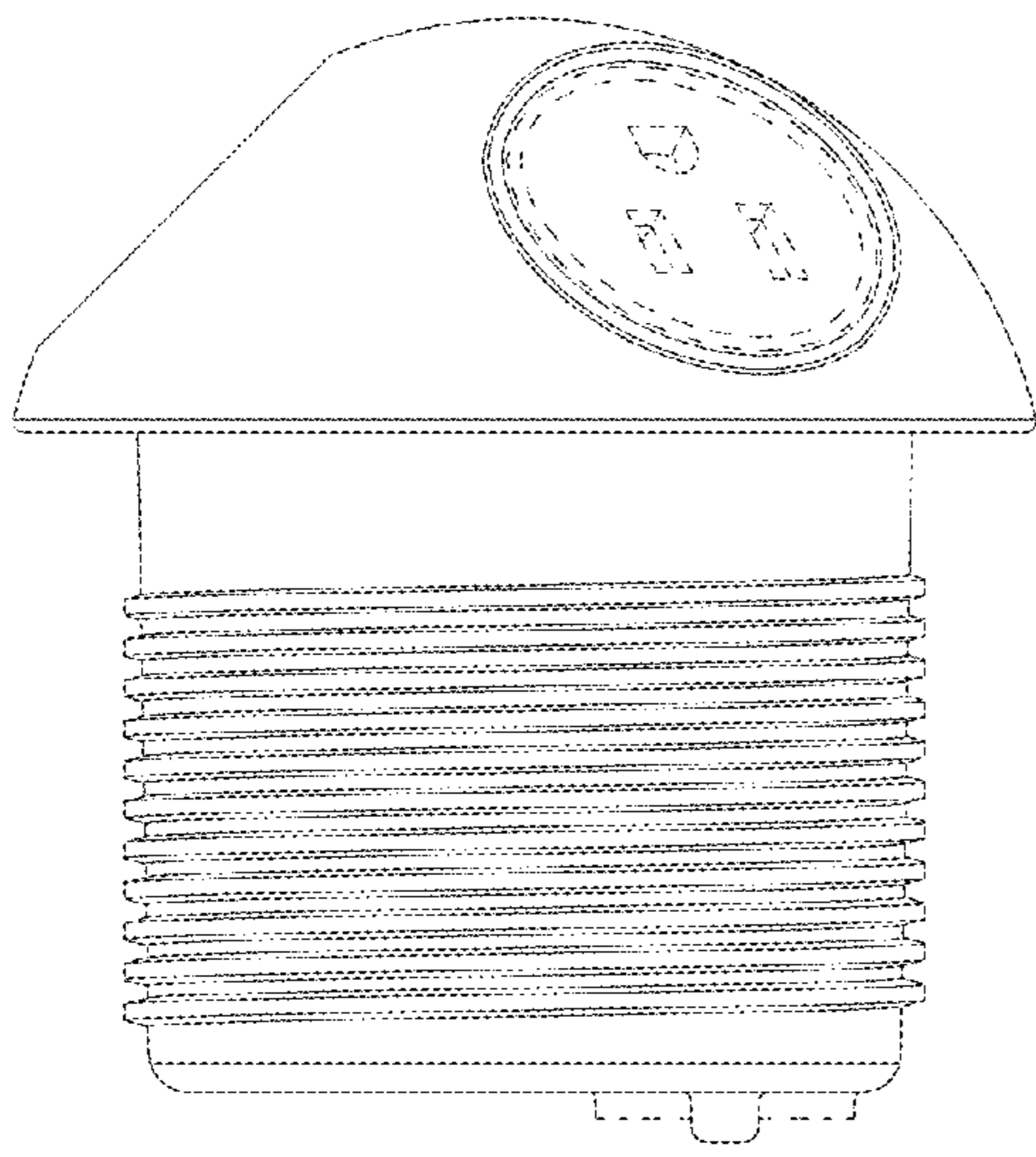


FIG. 7

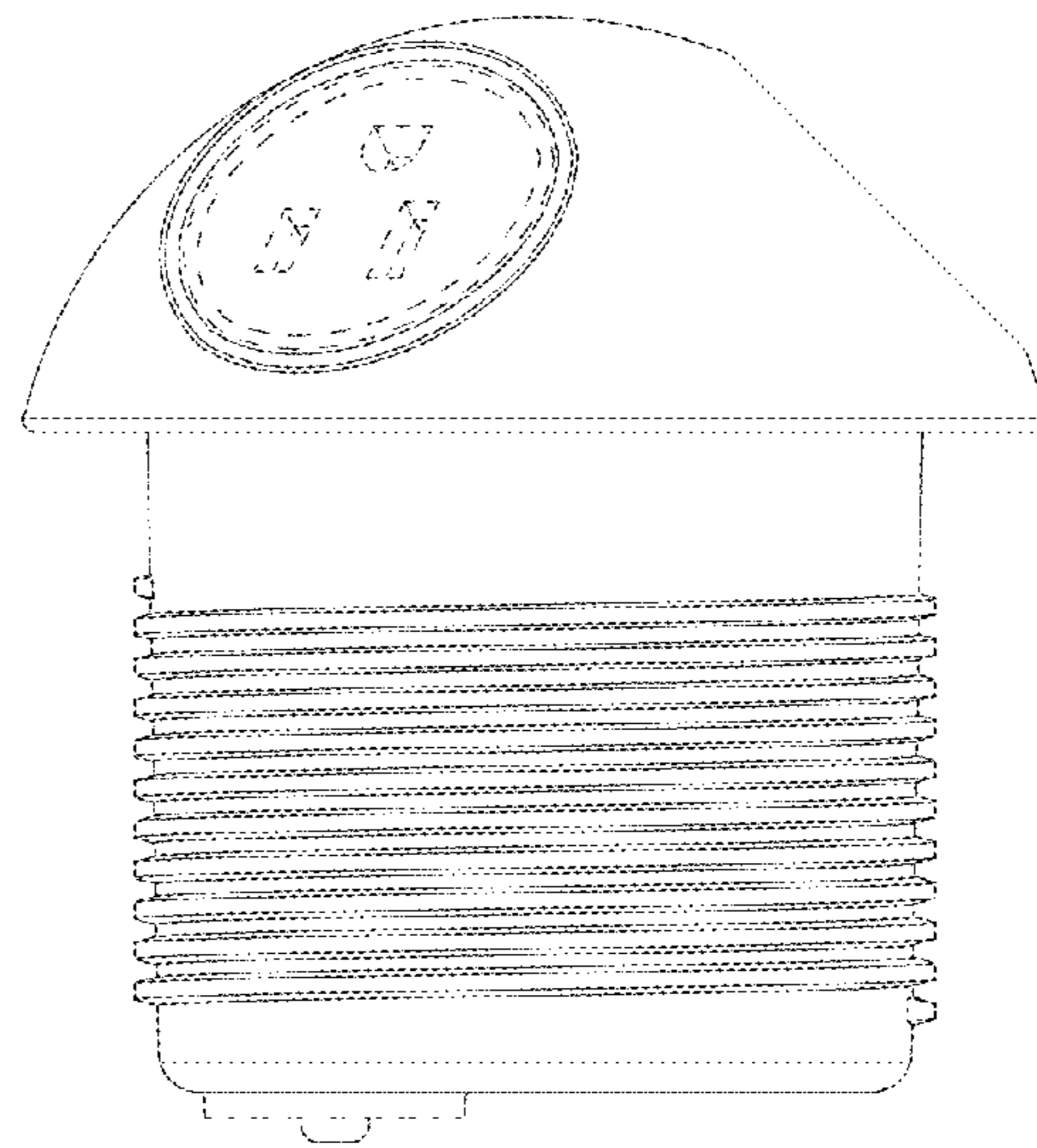


FIG. 8