



US00D739813S

(12) **United States Design Patent**
Moore et al.

(10) **Patent No.:** **US D739,813 S**

(45) **Date of Patent:** **** Sep. 29, 2015**

(54) **TIRE TREAD**

(71) Applicants: **Compagnie Generale Des Etablissements Michelin**, Clermont-Ferrand (FR); **Michelin Recherche et Technique S.A.**, Granges-Paccot (CH)

(72) Inventors: **Ralston Moore**, Fountain Inn, SC (US); **Garrett Guidroz**, Simpsonville, SC (US); **Joseph A. Stain**, Shelby, NC (US)

(73) Assignees: **MICHELIN RECHERCHE et TECHNIQUE S.A.**, Granges-Paccot (CH); **COMPAGNIE GENERALE DES ETABLISSEMENTS MICHELIN**, Clermont-Ferrand (FR)

(**) Term: **14 Years**

(21) Appl. No.: **29/472,396**

(22) Filed: **Nov. 12, 2013**

(51) **LOC (10) Cl.** **12-15**

(52) **U.S. Cl.**
USPC **D12/600**

(58) **Field of Classification Search**
USPC D12/568-603; 152/209.1-209.28
CPC B60C 11/11; B60C 2011/1213; B60C 11/00; B60C 11/04; B60C 11/1281; B60C 2011/0374; B60C 1/0016; B60C 11/12; B60C 11/0306; B60C 11/0309; B60C 11/13; B60C 11/042

See application file for complete search history.

(56) **References Cited**

U.S. PATENT DOCUMENTS

D380,995 S 7/1997 Grosskopf
D390,510 S 2/1998 Stone et al.
D414,446 S 9/1999 Kemp, Jr.
D414,725 S 10/1999 Kemp, Jr.
D428,837 S * 8/2000 Grosskopf et al. D12/574
D460,407 S 7/2002 Moore

D461,446 S 8/2002 Janjareh et al.
D472,204 S 3/2003 Kemp, Jr. et al.
D499,067 S 11/2004 Wage
D501,446 S 2/2005 Wage
D502,444 S 3/2005 Wage
D555,078 S 11/2007 Radulescu et al.
D555,081 S * 11/2007 Feider et al. D12/588
D606,485 S 12/2009 Williamson et al.
D618,162 S 6/2010 Mayni et al.
D624,009 S 9/2010 Vandaele et al.
D640,627 S 6/2011 Durand

(Continued)

OTHER PUBLICATIONS

X One XTE Michelin Tire, www.michelintruck.com, at least as early as 2012, 1 page.
XTE Michelin Tire, www.michelintruck.com, at least as early as 2012, 2 pages.

(Continued)

Primary Examiner — George D Kirschbaum

Assistant Examiner — Jennifer Watkins

(74) *Attorney, Agent, or Firm* — Dority & Manning, P.A.

(57) **CLAIM**

The ornamental design for a tire tread, as shown and described.

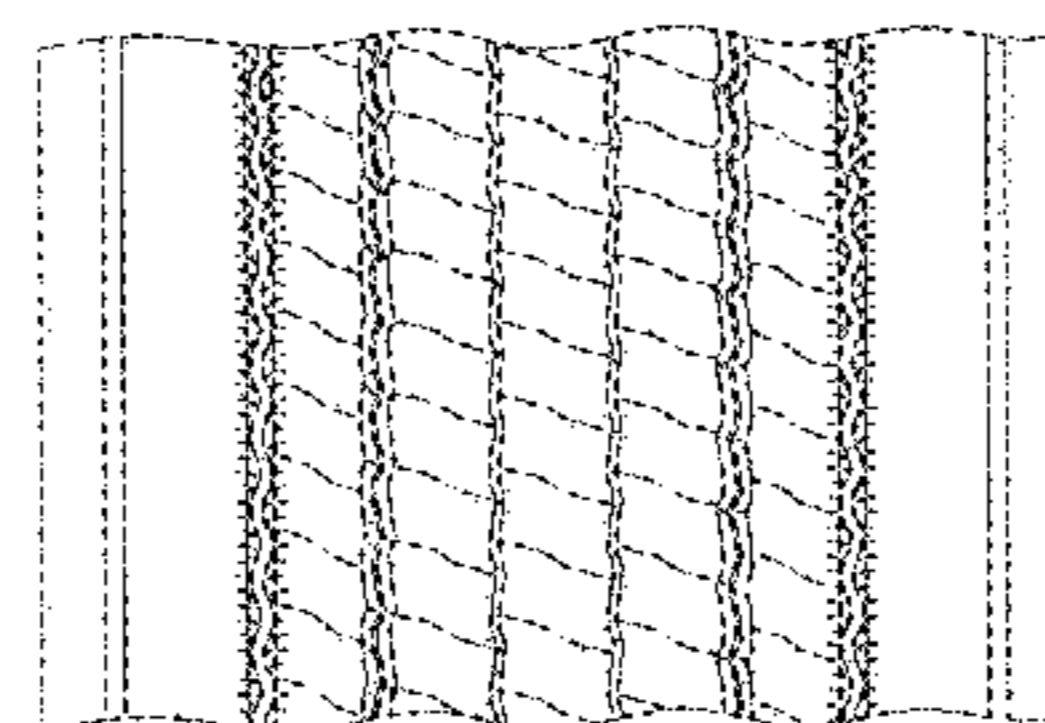
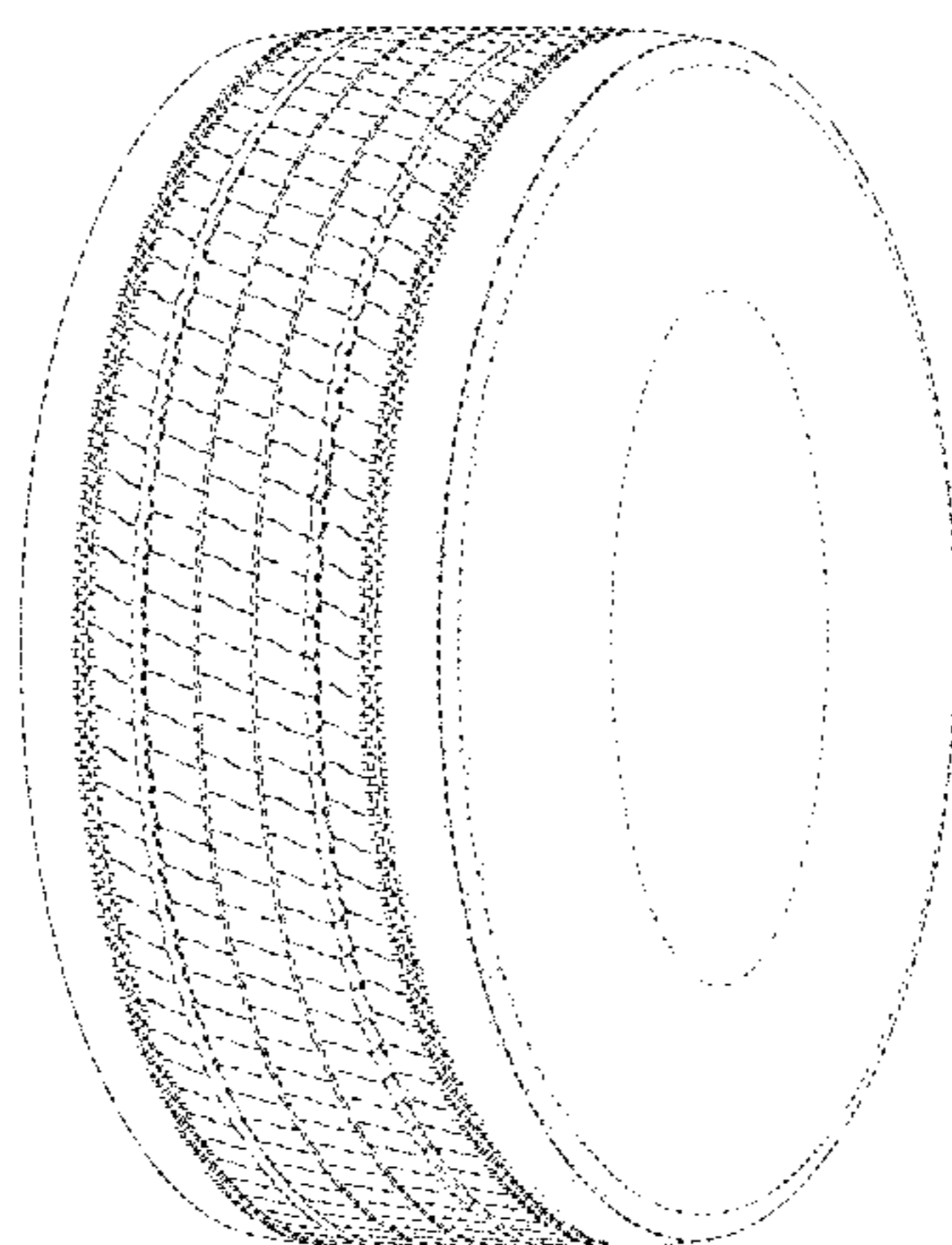
DESCRIPTION

FIG. 1 is a perspective view of a tire tread showing our new design, it being understood that the tread pattern repeats circumferentially throughout the outer circumference and shoulder of the tire, the opposite side perspective being identical thereto;

FIG. 2 is a front elevation view thereof; and
FIG. 3 is a side elevation view of the right side thereof, the left side elevation being identical thereto; and,
FIG. 4 is an enlarged partial view thereof.

The broken lines showing the sidewall, inner bead and the peripheral boundary between the tire tread and the sidewall are for the purpose of depicting environment which forms no part of the claim.

1 Claim, 4 Drawing Sheets



(56)

References Cited

U.S. PATENT DOCUMENTS

D646,624 S * 10/2011 Yamaguchi D12/584
D652,369 S 1/2012 Lebreton
D668,206 S 10/2012 Moore et al.
D676,804 S * 2/2013 Ogawa D12/598

OTHER PUBLICATIONS

XZE Michelin Tire, www.michelintruck.com, at least as early as 2012, 2 pages.

XZE2 Michelin Tire, www.michelintruck.com, at least as early as 2012, 2 pages.

* cited by examiner

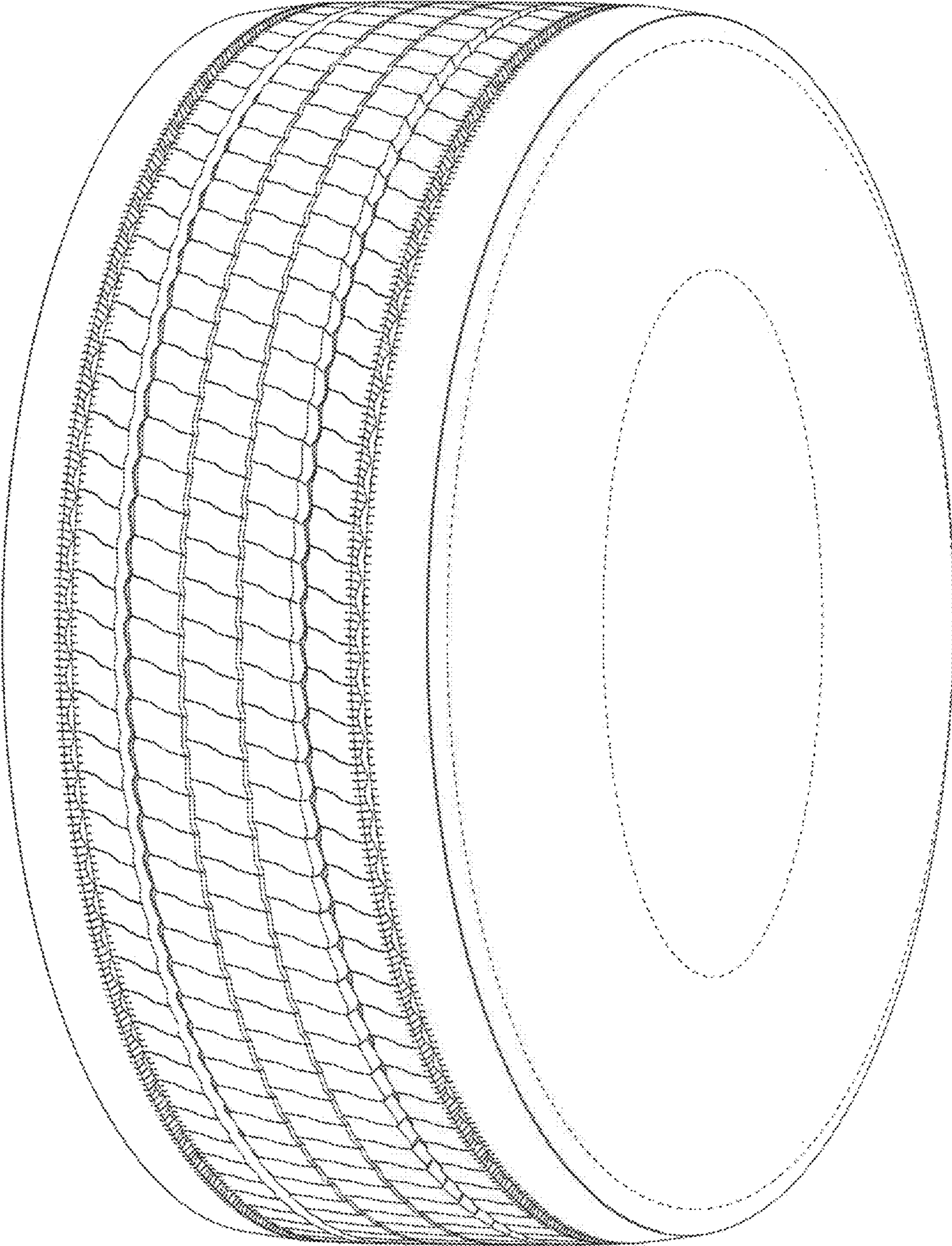


Fig. 1

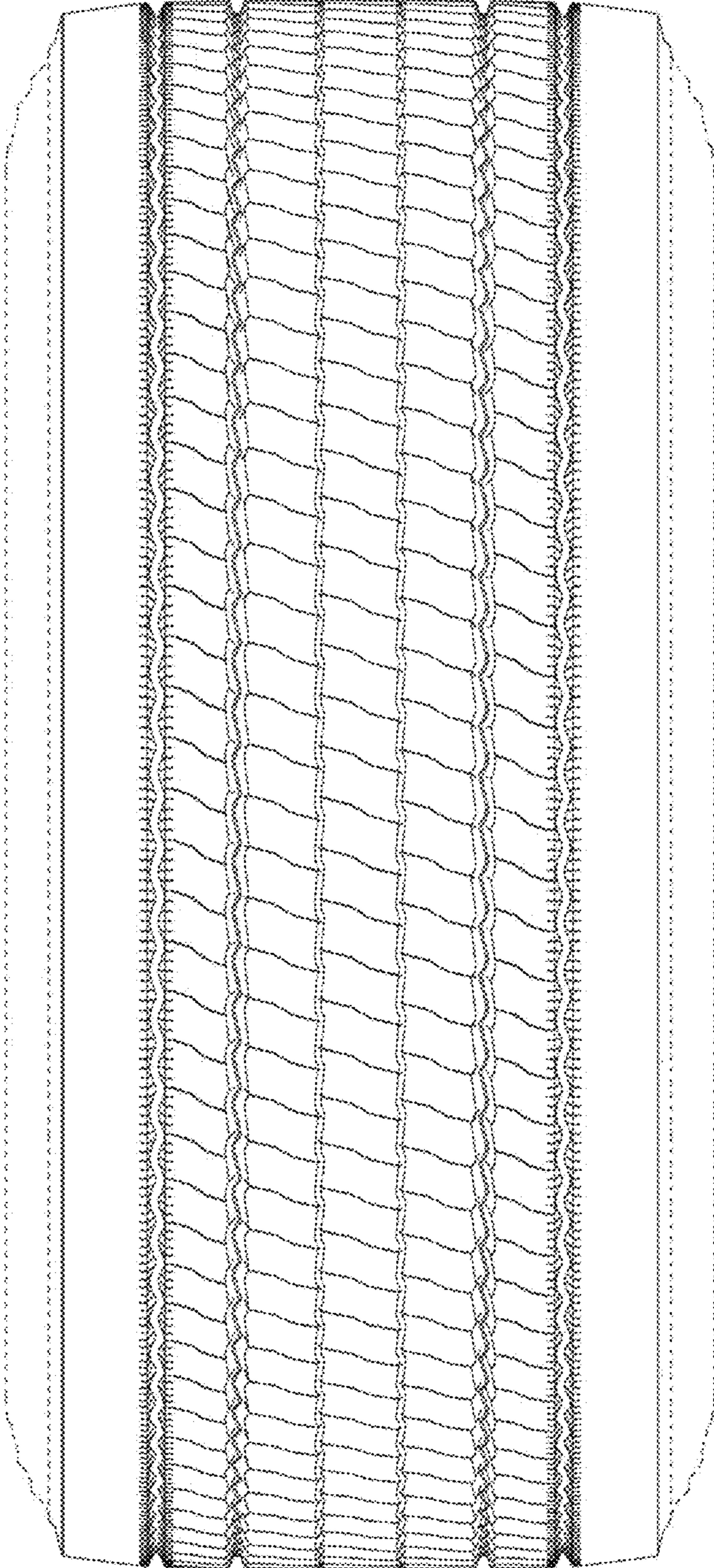


Fig. 2

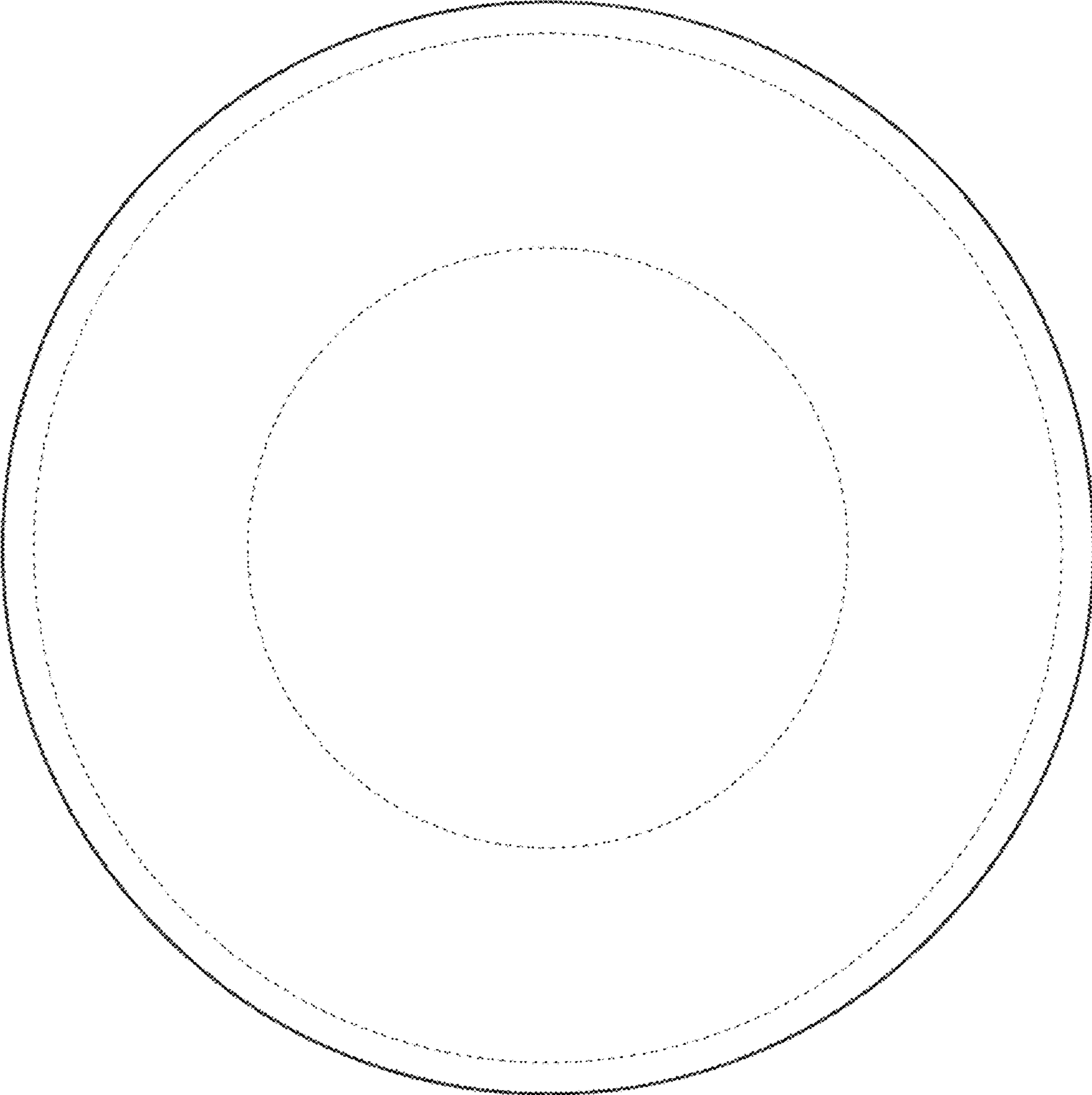


Fig. 3

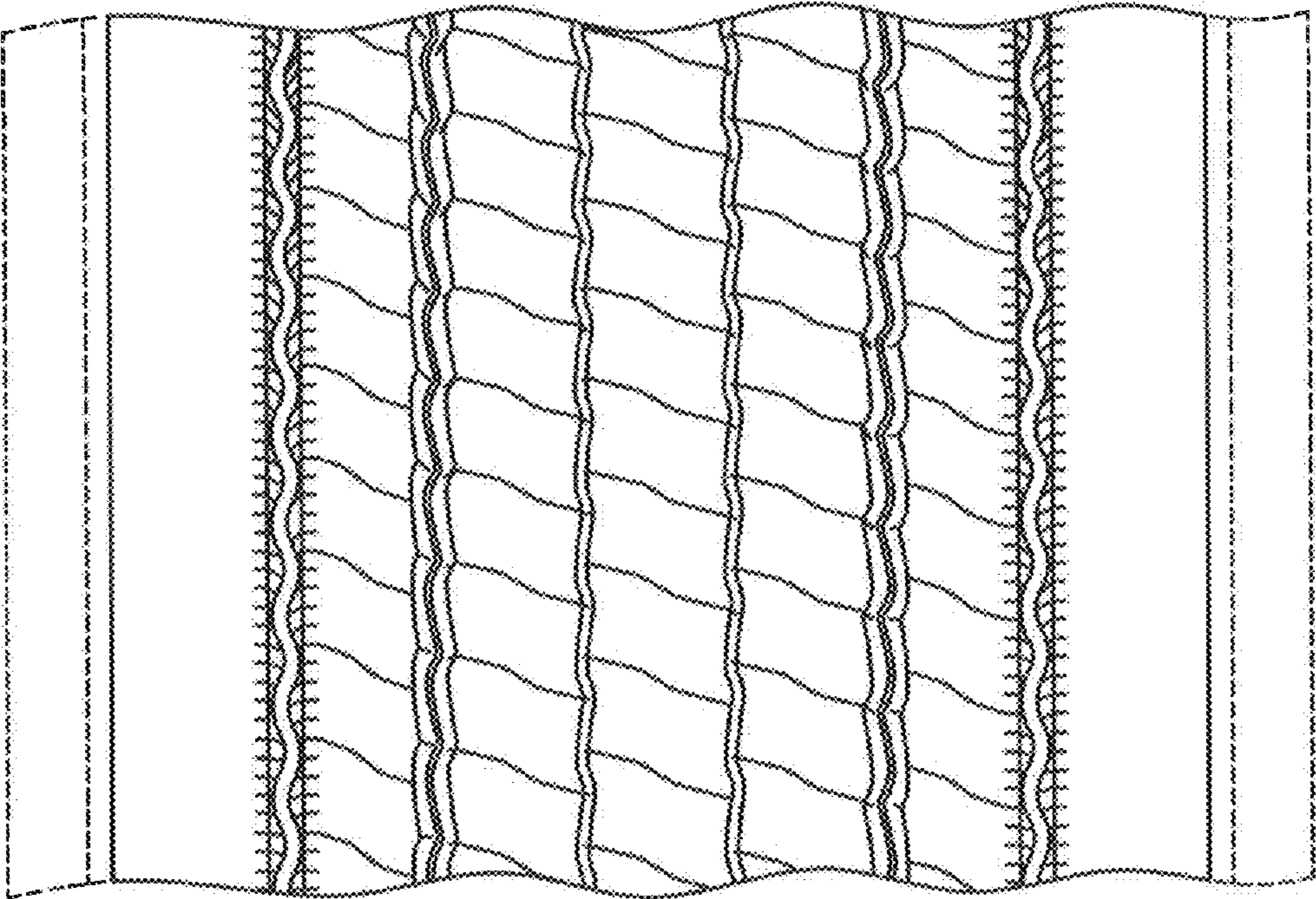


Fig. 4