



US00D739807S

(12) **United States Design Patent**
Strand et al.

(10) **Patent No.:** **US D739,807 S**

(45) **Date of Patent:** **** *Sep. 29, 2015**

(54) **AMPHIBIOUS SPORT AIRCRAFT**

(56) **References Cited**

(71) Applicant: **ICON Aircraft, Inc.**, Los Angeles, CA (US)

U.S. PATENT DOCUMENTS

(72) Inventors: **Steen Strand**, Los Angeles, CA (US);
Klaus Tritschler, Tehachapi, CA (US);
Jon Karkow, Tehachapi, CA (US)

D137,661	S	*	4/1944	Sheffield	D12/344
D178,584	S	*	8/1956	Toth	D12/324
4,121,791	A	*	10/1978	Taylor et al.	244/120
4,962,978	A	*	10/1990	Weston	244/105
D325,021	S	*	3/1992	Mouton, Jr.	D12/324
D392,937	S	*	3/1998	Brichard et al.	D12/324
5,913,493	A	*	6/1999	Labouchere	244/105
6,113,028	A	*	9/2000	Lohse et al.	244/13
D613,202	S	*	4/2010	Rodriguez et al.	D12/3
D620,392	S	*	7/2010	Rodriguez et al.	D12/3
D620,838	S	*	8/2010	Miralles et al.	D12/3
8,177,162	B2	*	5/2012	Karkow et al.	244/105
2006/0255208	A1	*	11/2006	Hawkins	244/105

(73) Assignee: **Icon Aircraft, Inc.**, Los Angeles, CA (US)

(*) Notice: This patent is subject to a terminal disclaimer.

* cited by examiner

(**) Term: **14 Years**

Primary Examiner — Martie K Holtje

(21) Appl. No.: **29/460,782**

(74) *Attorney, Agent, or Firm* — Martensen IP

(22) Filed: **Jul. 15, 2013**

(57) **CLAIM**

(51) **LOC (10) Cl.** **12-07**

The ornamental design for an amphibious sport aircraft, as shown and described.

(52) **U.S. Cl.**

DESCRIPTION

USPC **D12/324**; D12/339; D21/450

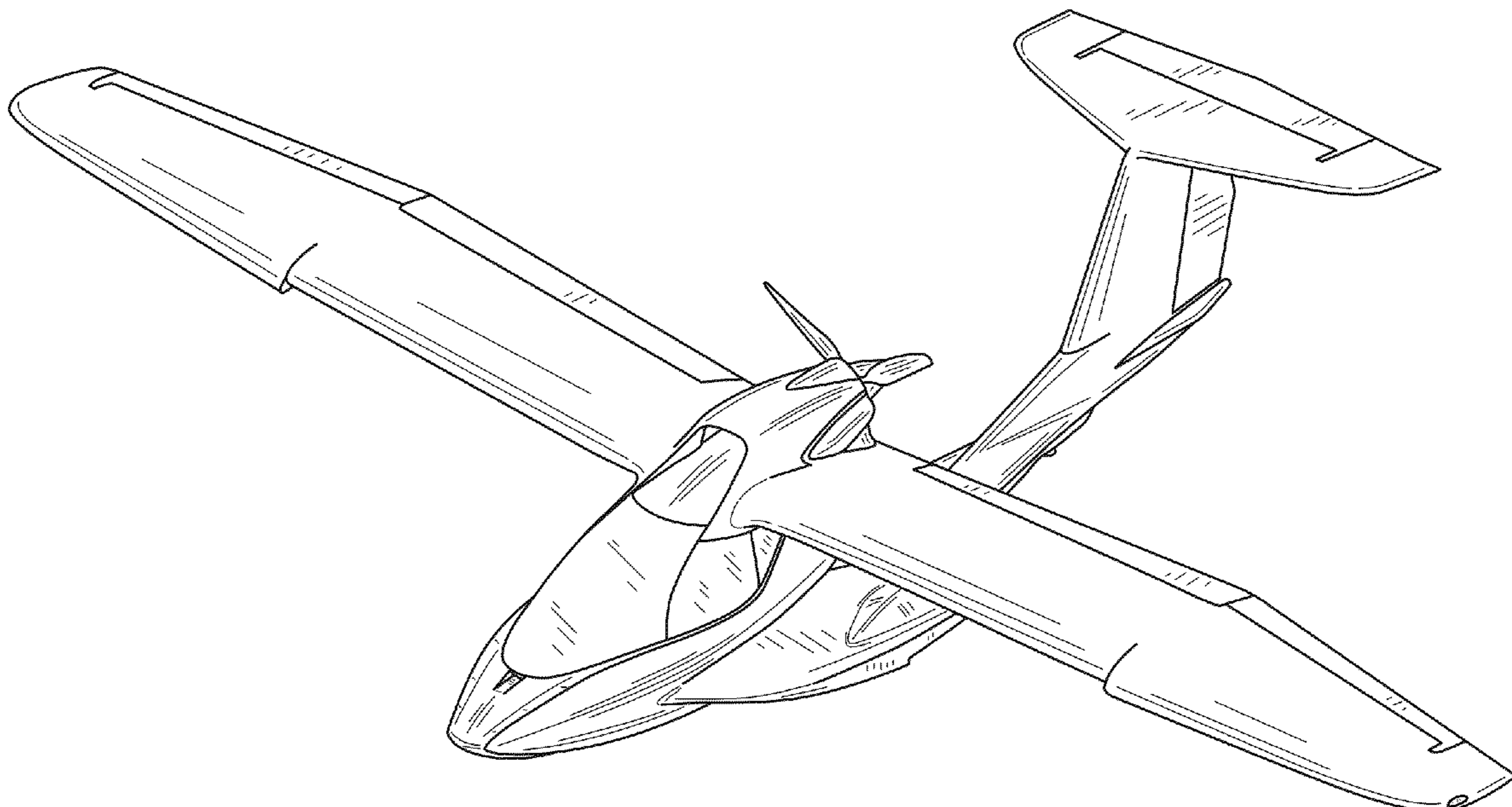
(58) **Field of Classification Search**

USPC D12/2, 3, 4, 16.1, 319, 324, 326-334,
D12/337, 338, 339, 341, 344, 345;
D21/430, 436, 441, 442, 446-450, 451,
D21/452, 453; 244/2, 5, 6, 7 R, 7 A, 7 C, 8,
244/13, 55, 56, 101, 105, 106, 120, 125,
244/17.19; 280/1.12, 1.21; 446/34-38,
446/57-59, 230-236

FIG. 1 is a right front perspective view of an amphibious sport aircraft showing our new design.
FIG. 2 is a front elevational view thereof.
FIG. 3 is a rear elevational view thereof.
FIG. 4 is a right side elevational view thereof.
FIG. 5 is a left side elevational view thereof.
FIG. 6 is a top plan view thereof; and,
FIG. 7 is a bottom plan view thereof.

See application file for complete search history.

1 Claim, 6 Drawing Sheets



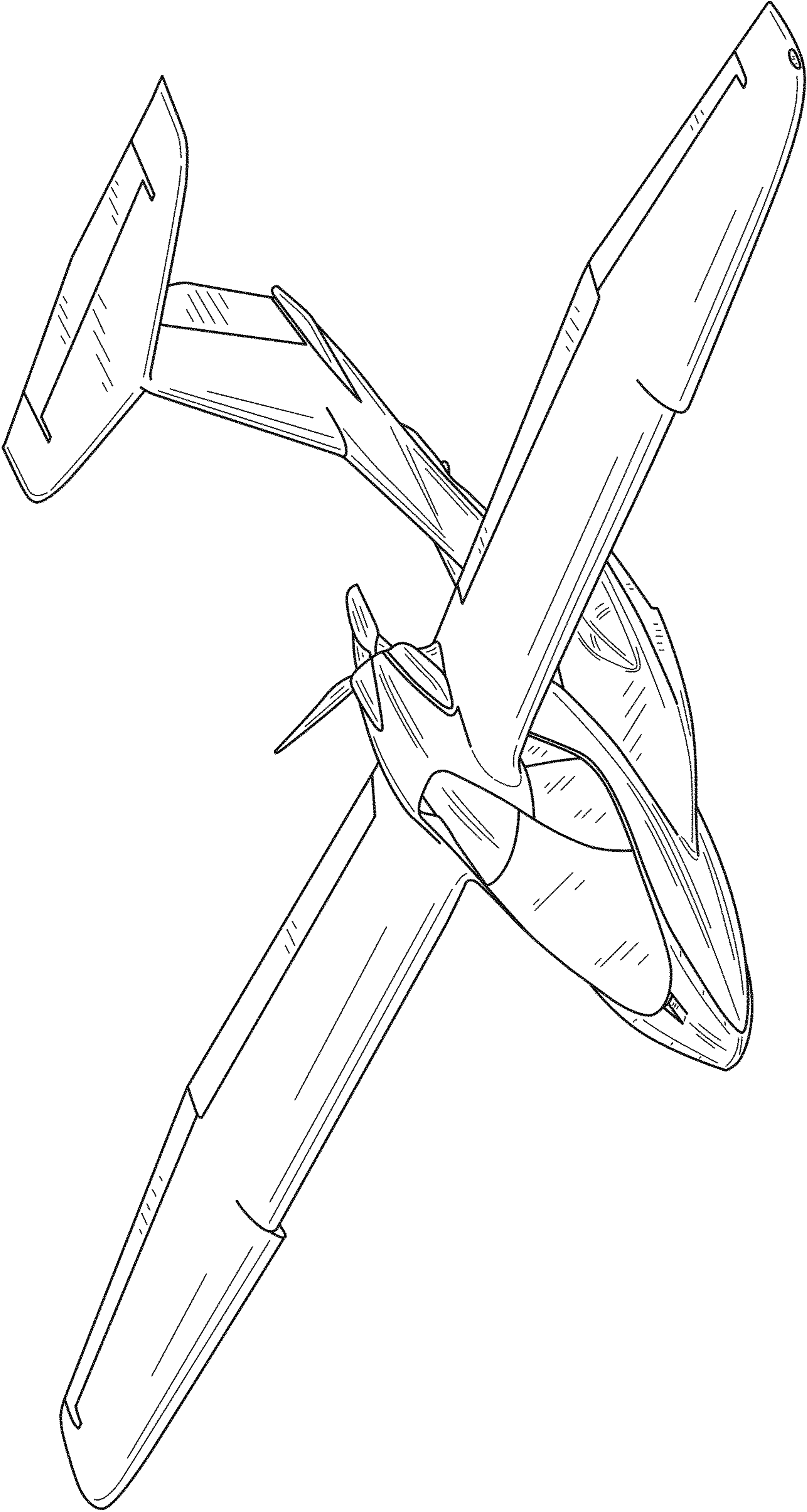


FIG.1

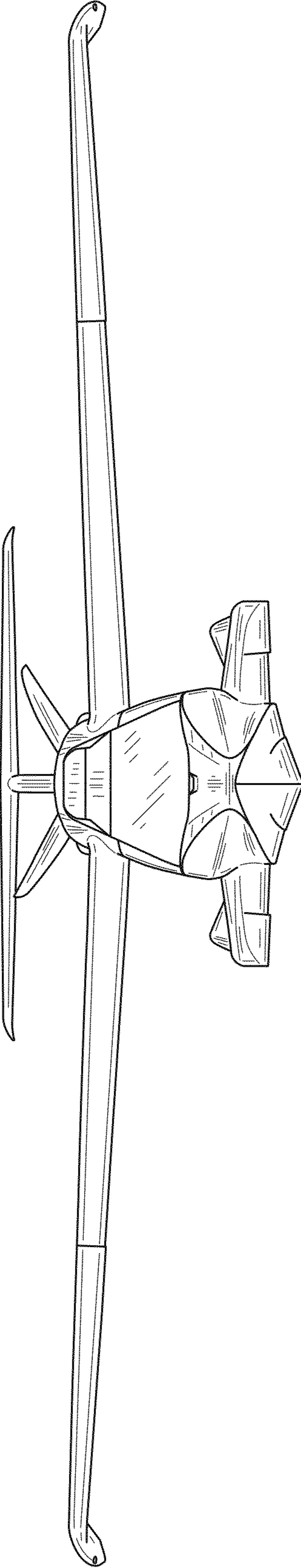


FIG.2

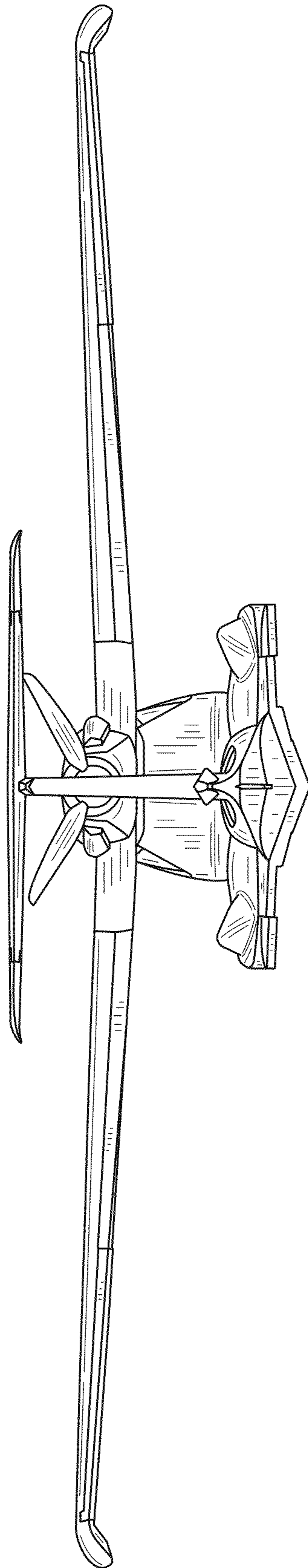


FIG.3

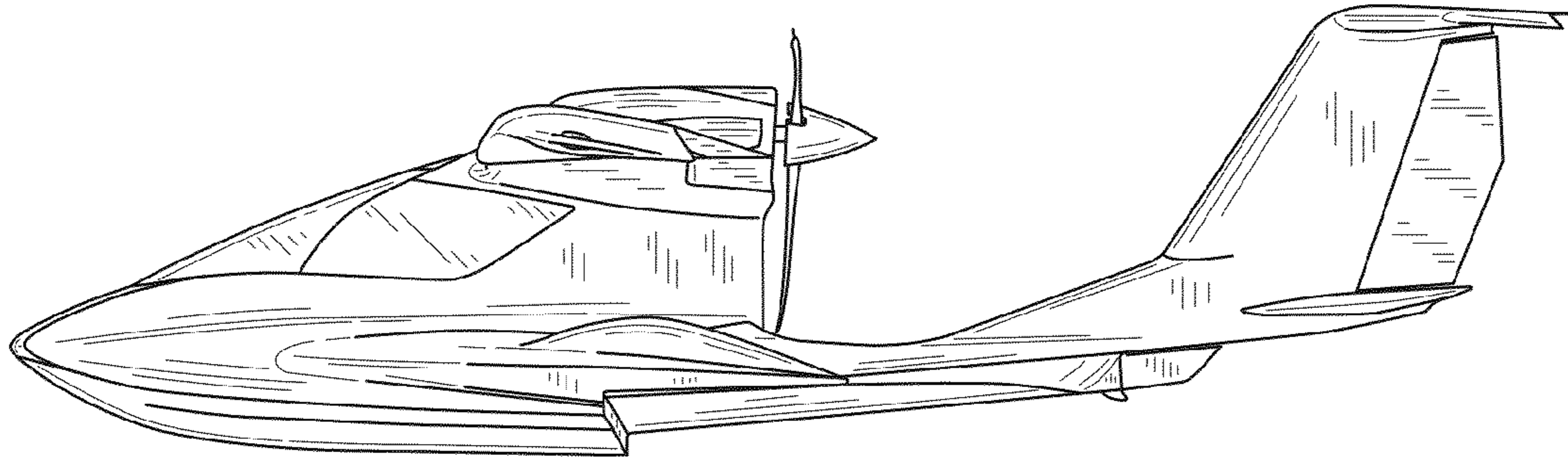


FIG.4

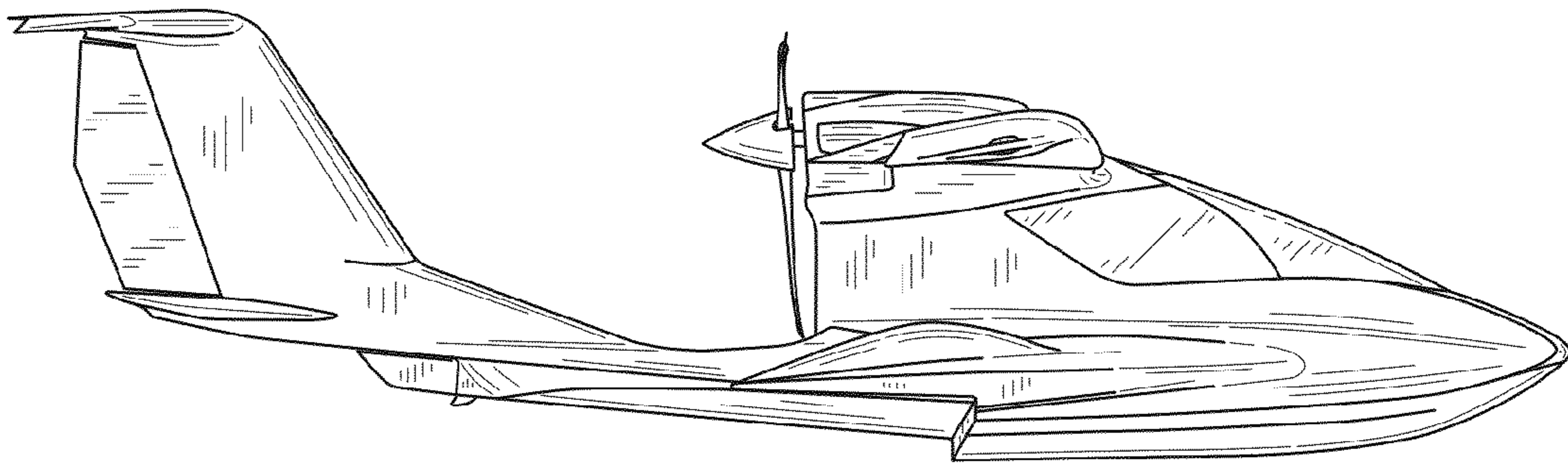


FIG.5

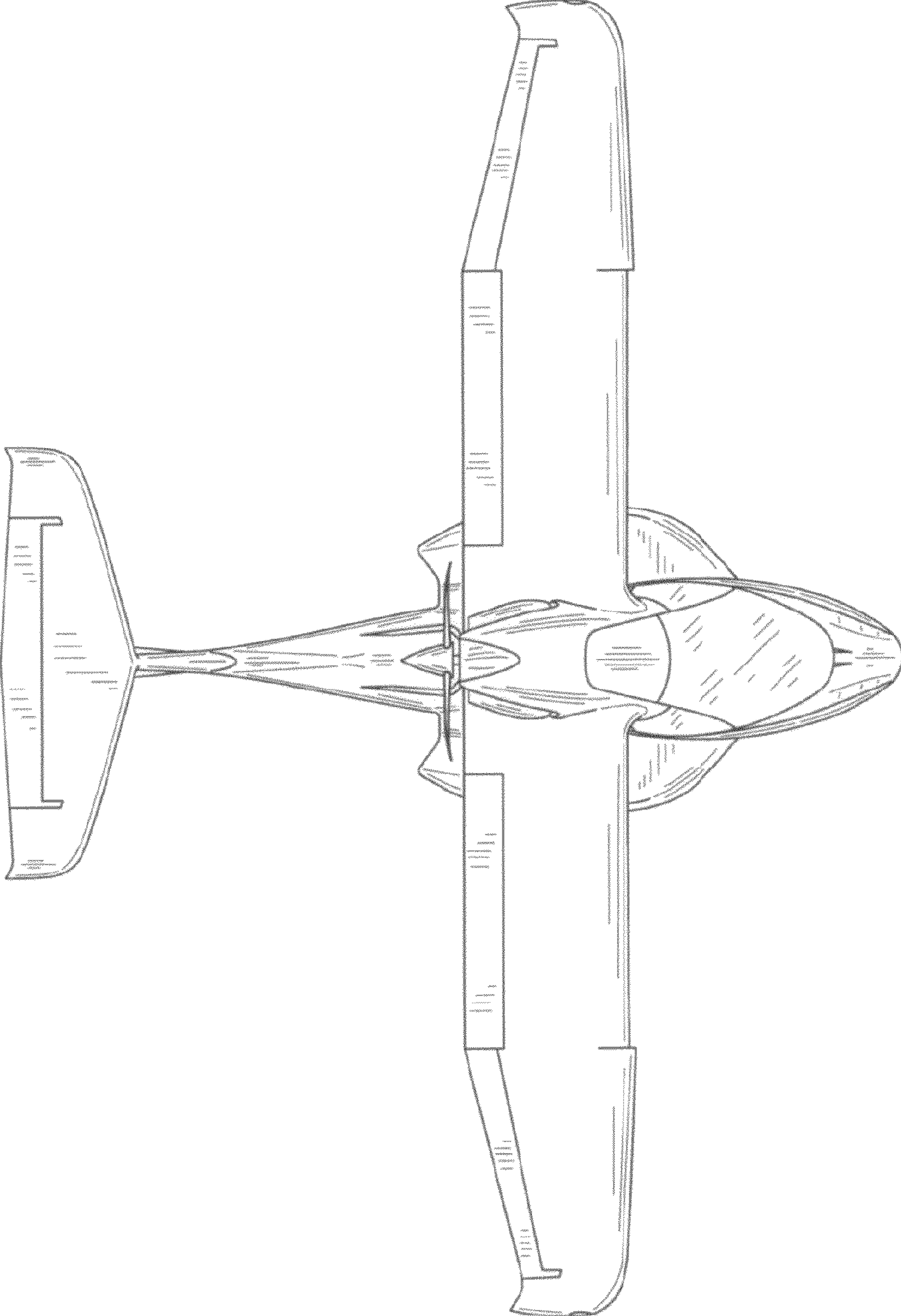


FIG.6

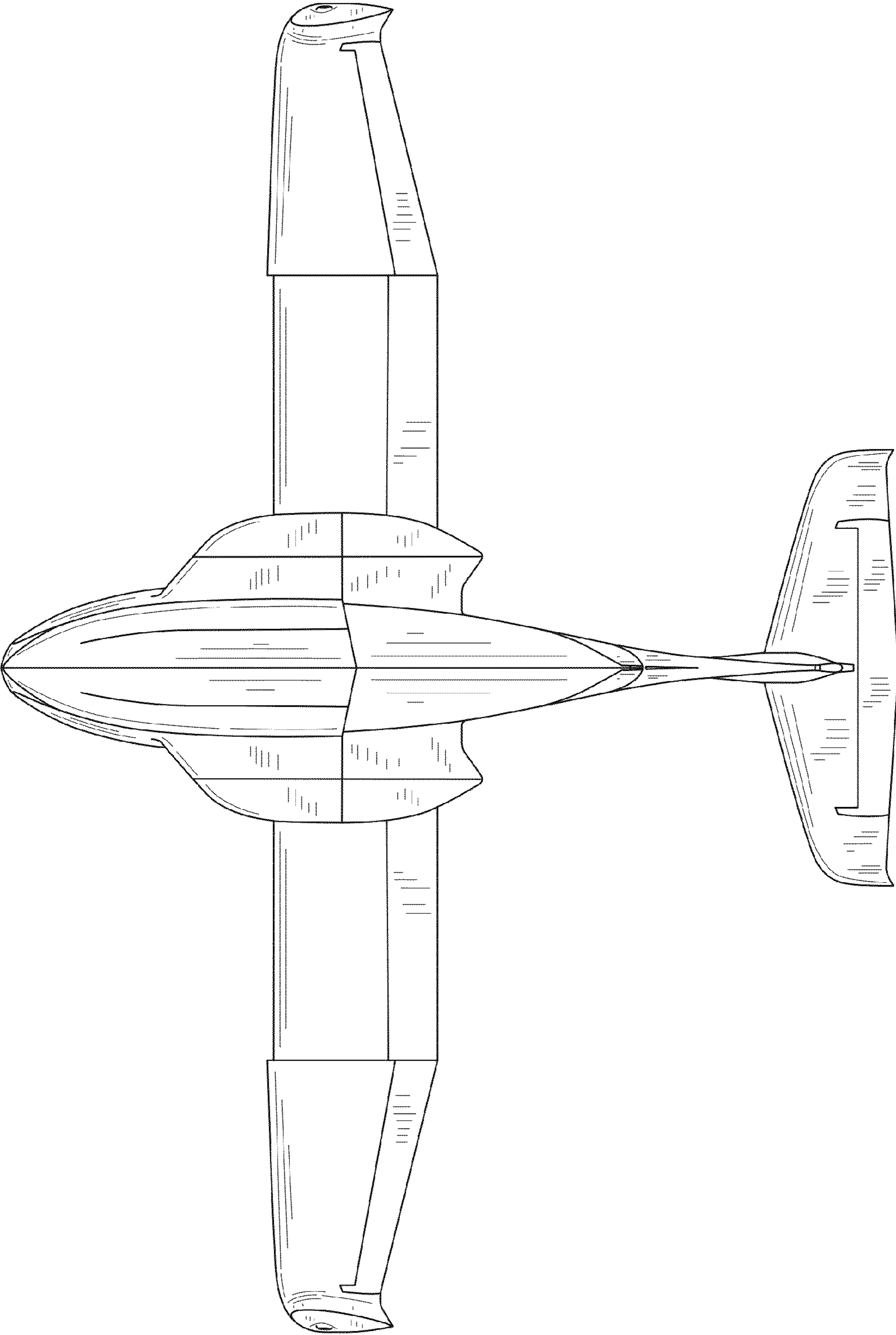


FIG.7

UNITED STATES PATENT AND TRADEMARK OFFICE
CERTIFICATE OF CORRECTION

PATENT NO. : D739,807 S
APPLICATION NO. : 29/460782
DATED : September 29, 2015
INVENTOR(S) : Steen Strand, Dong L. Tran and Klaus Tritschler

Page 1 of 1

It is certified that error appears in the above-identified patent and that said Letters Patent is hereby corrected as shown below:

Column 1, Item (72) should read:

Inventors: Steen Strand, Los Angeles, CA (US); Dong L. Tran, Hermosa Beach, CA (US); Klaus Tritschler, Tehachapi, CA (US)

Signed and Sealed this
Thirtieth Day of January, 2018



Joseph Matal

*Performing the Functions and Duties of the
Under Secretary of Commerce for Intellectual Property and
Director of the United States Patent and Trademark Office*