



US00D739806S

(12) **United States Design Patent**
Oswell et al.

(10) **Patent No.:** **US D739,806 S**

(45) **Date of Patent:** **** Sep. 29, 2015**

(54) **TOWING STRUCTURE FOR WATER SPORTS**

(56)

References Cited

(71) Applicant: **Roswell Wake-Air Enterprises, Inc.**,
Acheson (CA)

(72) Inventors: **Robert Oswell**, Edmonton (CA);
Darrick Wilson, Edmonton (CA)

(73) Assignee: **Roswell Wake-Air Enterprises Inc.**,
Acheson, AB (CA)

(**) Term: **14 Years**

(21) Appl. No.: **29/455,977**

(22) Filed: **May 28, 2013**

(51) **LOC (10) Cl.** **12-06**

(52) **U.S. Cl.**
USPC **D12/317**

(58) **Field of Classification Search**
USPC D12/300, 301, 310-314, 317, 318, 114;
114/247, 249, 250, 253, 254, 343, 361,
114/364

See application file for complete search history.

U.S. PATENT DOCUMENTS

D479,500	S	*	9/2003	Mattarocci	D12/317
7,216,604	B2	*	5/2007	Finney et al.	114/361
7,299,761	B2	*	11/2007	Larson et al.	114/253
D611,397	S	*	3/2010	Oswell et al.	D12/317
D664,495	S	*	7/2012	Oswell et al.	D12/317
D666,135	S	*	8/2012	Gasper	D12/317
D678,168	S	*	3/2013	Gasper	D12/317
D686,970	S	*	7/2013	Gasper	D12/318

* cited by examiner

Primary Examiner — Cynthia M Chin

(74) *Attorney, Agent, or Firm* — Jeffrey T. Placker; Holland & Knight LLP

(57)

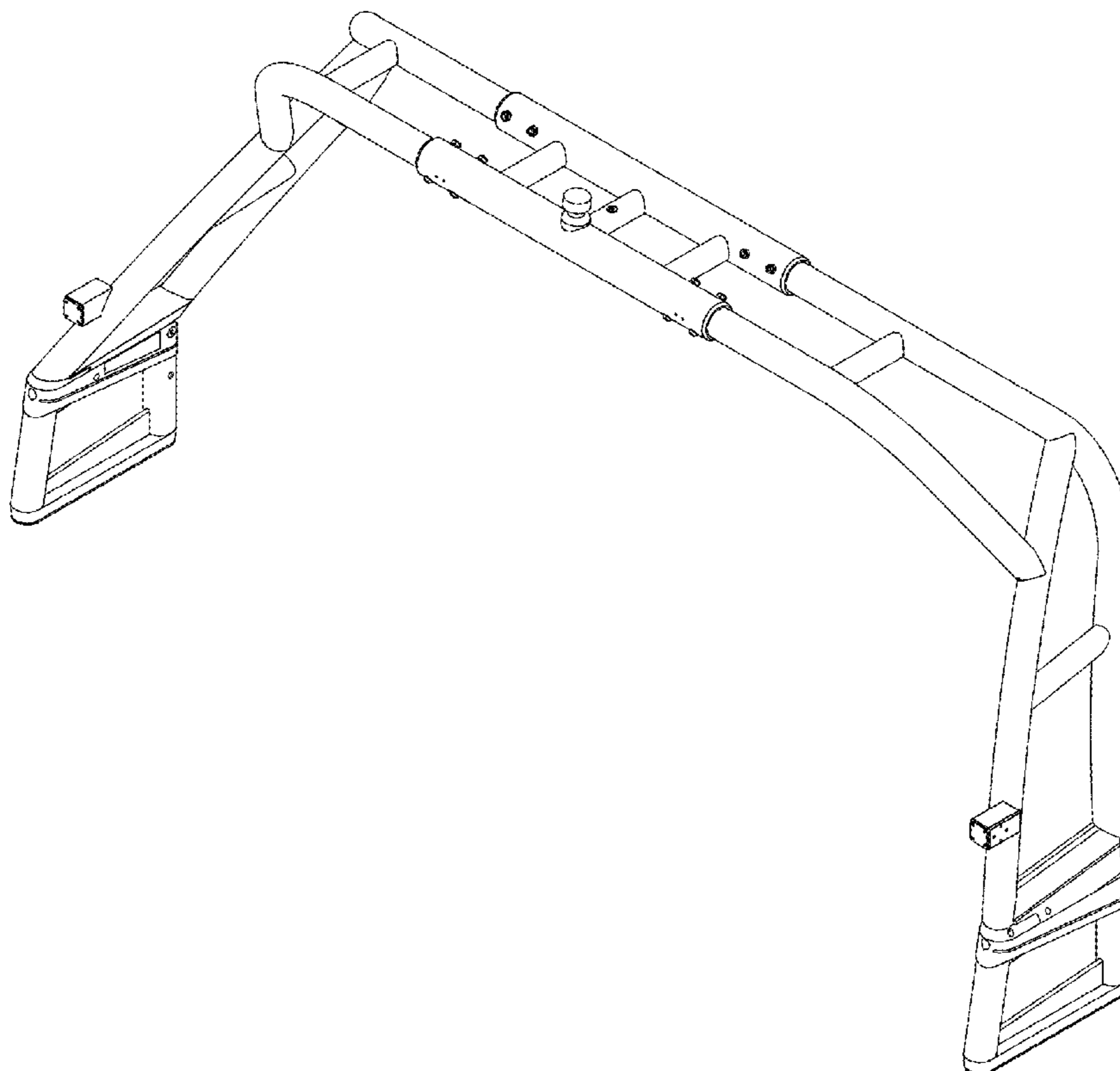
CLAIM

The ornamental design for a towing structure for water sports, as shown and described.

DESCRIPTION

FIG. 1 is a front elevation view of a first embodiment of a towing structure for water sports, suitable for being mounted on a boat;
FIG. 2 is a right side elevational view of the first embodiment;
FIG. 3 is a top plan view of the first embodiment; and
FIG. 4 is a rear isometric view of the first embodiment.

1 Claim, 2 Drawing Sheets



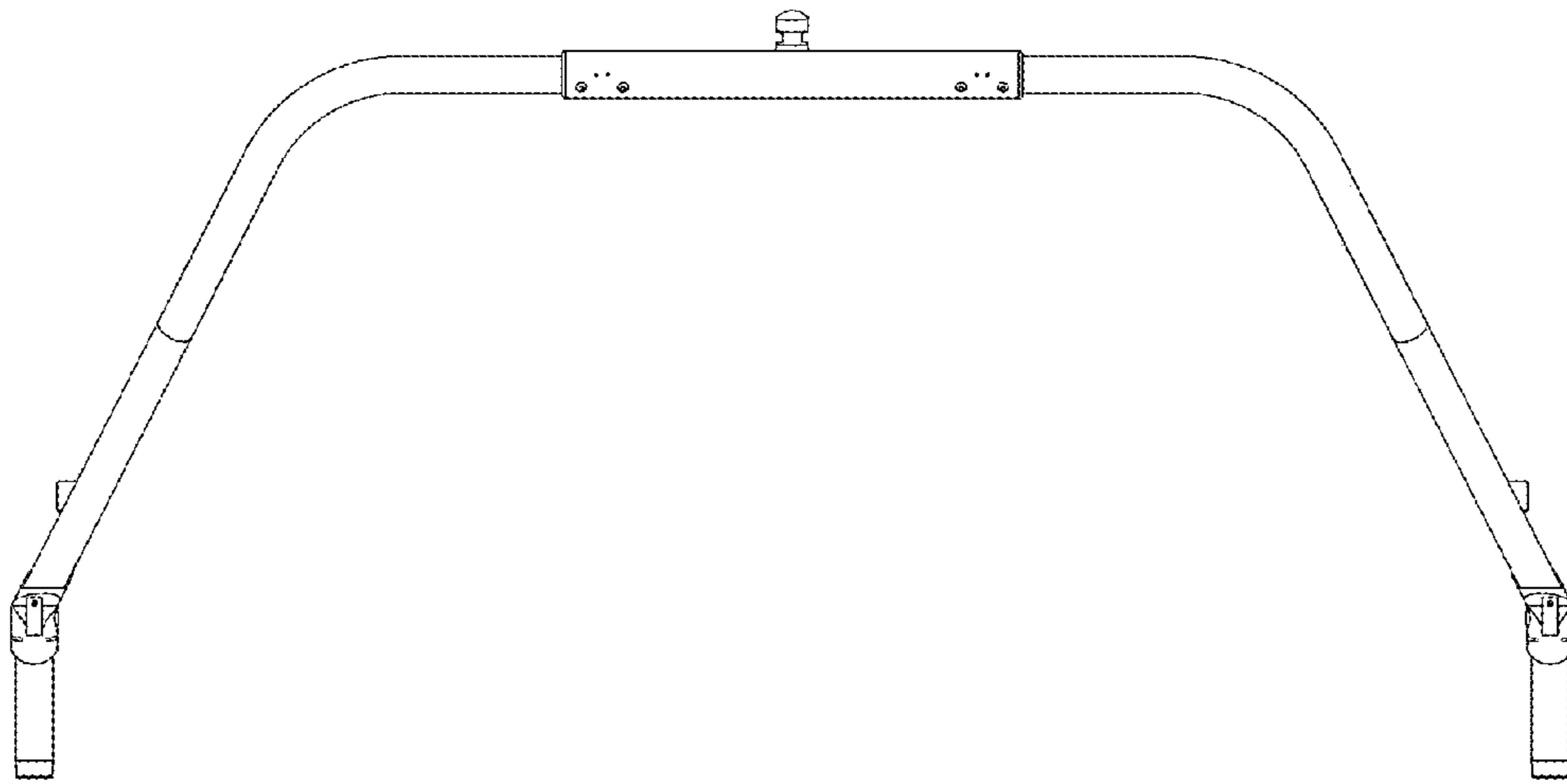


FIG. 1

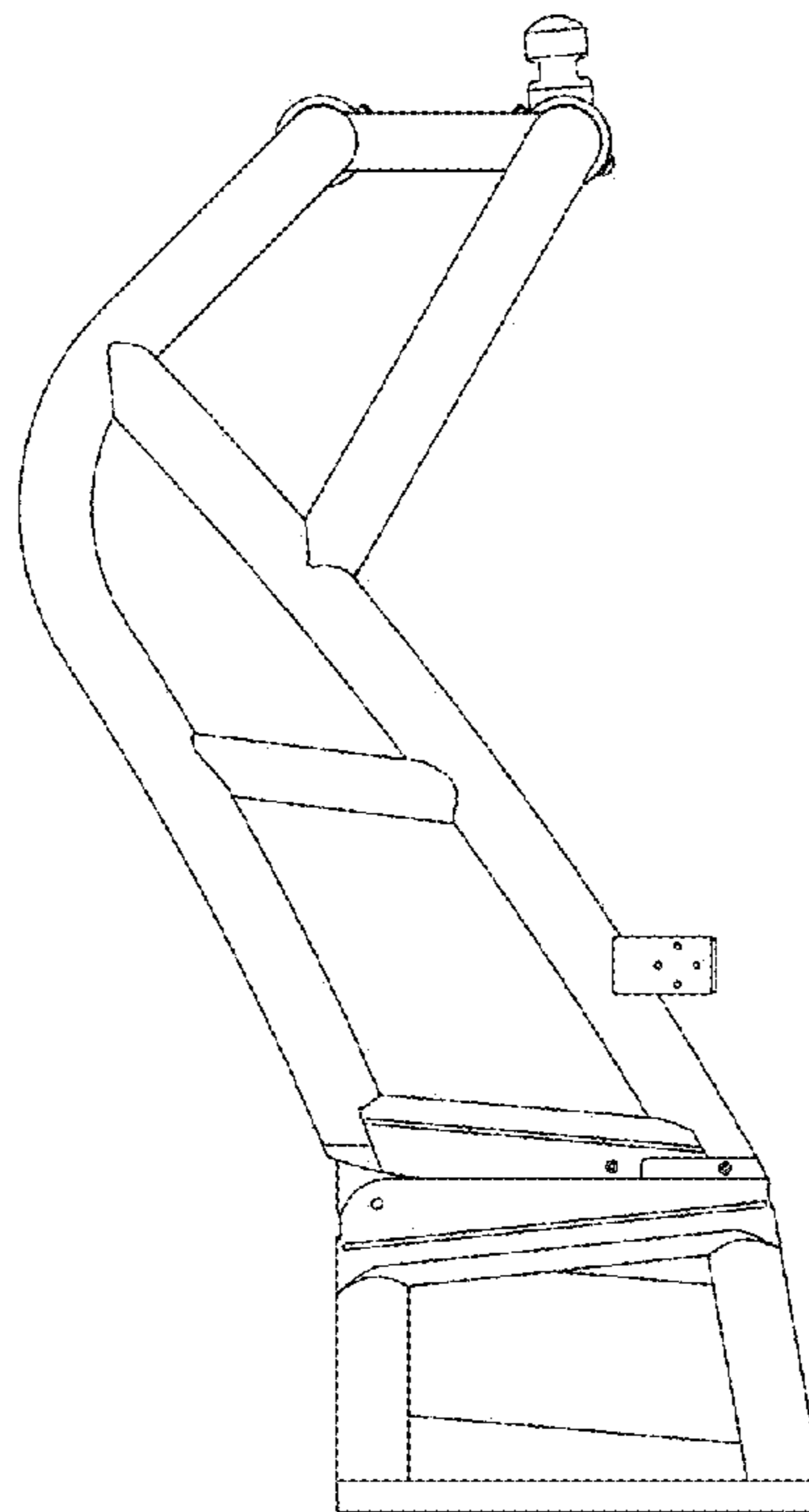


FIG. 2

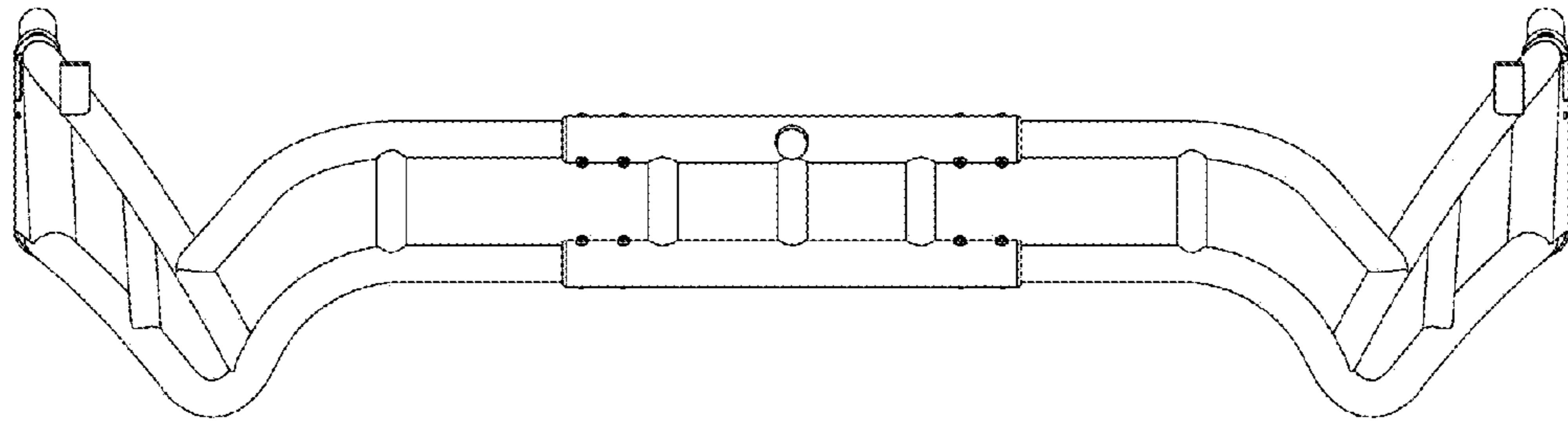


FIG. 3

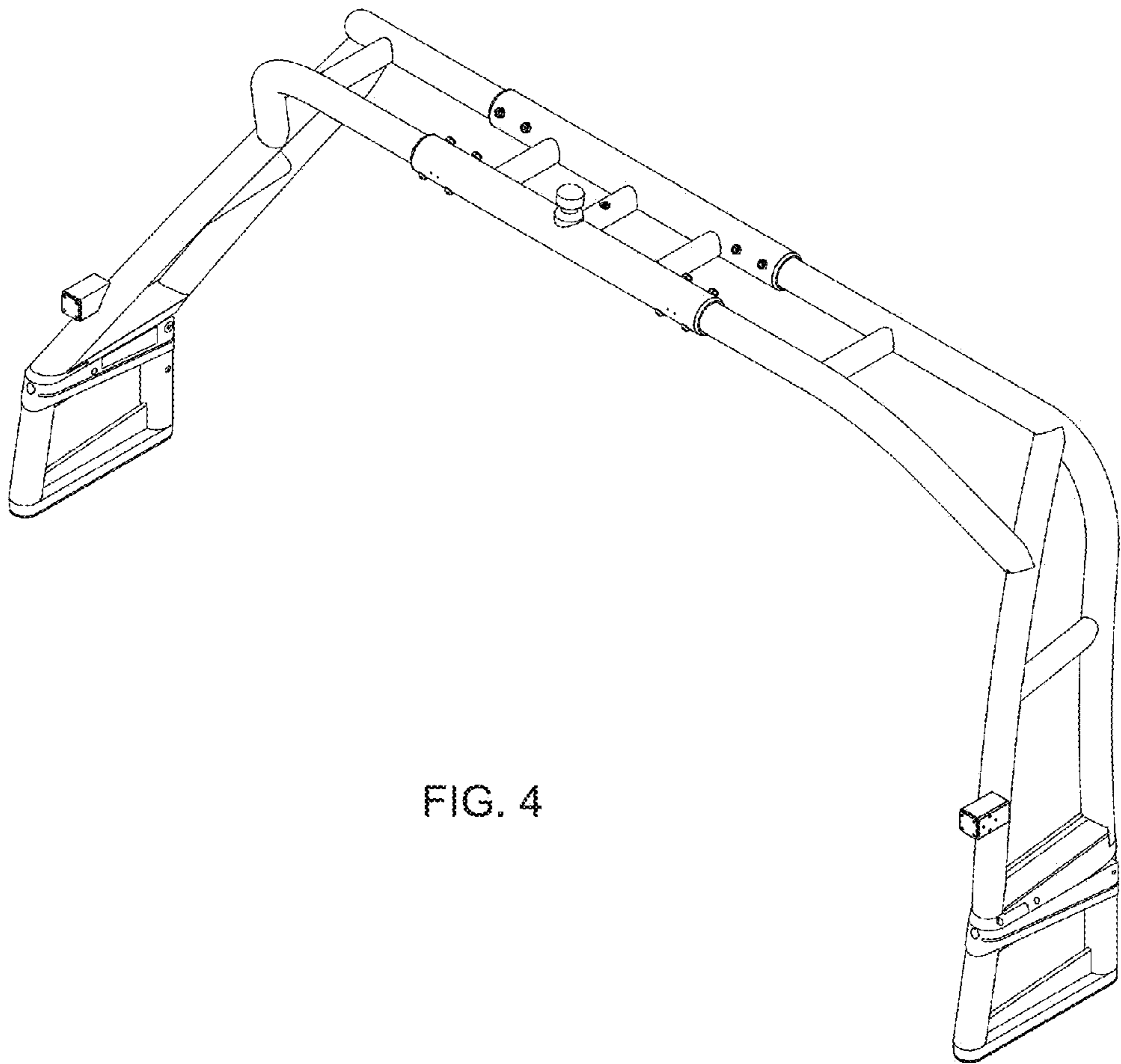


FIG. 4