



US00D739805S

(12) **United States Design Patent**
Isono

(10) **Patent No.:** **US D739,805 S**
(45) **Date of Patent:** **** Sep. 29, 2015**

(54) **FUEL TANK FOR AN
INTERNAL-COMBUSTION ENGINE**

(71) Applicant: **HONDA MOTOR CO., LTD.**, Tokyo
(JP)

(72) Inventor: **Fumiya Isono**, Wako (JP)

(73) Assignee: **HONDA MOTOR CO., LTD.**, Tokyo
(JP)

(**) Term: **14 Years**

(21) Appl. No.: **29/461,625**

(22) Filed: **Jul. 25, 2013**

(30) **Foreign Application Priority Data**

Jan. 25, 2013 (JP) 2013-001414

(51) **LOC (10) CL.** **12-06**

(52) **U.S. CL.**
USPC **D12/218**

(58) **Field of Classification Search**
USPC D12/110, 197, 218, 223; D9/435-454;
180/69.4, 219, 225; 220/4.14, 86.2,
220/288, 560.04, DIG. 33; 280/833-835
CPC B60K 15/03; B60K 15/07; B62J 35/00;
B62K 11/00; B62K 11/04
See application file for complete search history.

(56) **References Cited**

U.S. PATENT DOCUMENTS

D282,071 S *	1/1986	Nakamura	D15/1
D379,995 S *	6/1997	Gilmore	D15/1
D529,046 S	9/2006	Maeda et al.		
D561,784 S *	2/2008	Yin et al.	D15/1
D583,829 S *	12/2008	Fan	D15/1
D588,054 S *	3/2009	Xi-Ren	D12/218
D604,686 S *	11/2009	Yan et al.	D12/218
D624,864 S *	10/2010	Makino	D12/218

D638,444 S *	5/2011	He et al.	D15/1
D689,522 S *	9/2013	Johnson et al.	D15/1
D709,523 S *	7/2014	Nonaka et al.	D15/1
D723,062 S *	2/2015	Isono	D15/5
2009/0301425 A1 *	12/2009	Sato et al.	123/185.3
2009/0302610 A1 *	12/2009	Kanai et al.	290/47

OTHER PUBLICATIONS

“Honda Horizontal OHV Engine—163cc, GX Series, 3/4in. × 2 7/16in. Shaft, Model# GX160UT2QX2.” Northern Tool and Equipment., Jul. 12, 2007 [online-earliest review], [retrieved on Feb. 28, 2015]. Retrieved from the Internet <URL: http://www.northerntool.com/shop/tools/product_299_299>.*
Norwegian Supplemental Search Report dated Sep. 27, 2013, issued in corresponding Norway Design Application No. 20130730, w/English translation.

(Continued)

Primary Examiner — Philip S Hyder
Assistant Examiner — Darlington Ly

(74) *Attorney, Agent, or Firm* — Westerman, Hattori, Daniels & Adrian, LLP

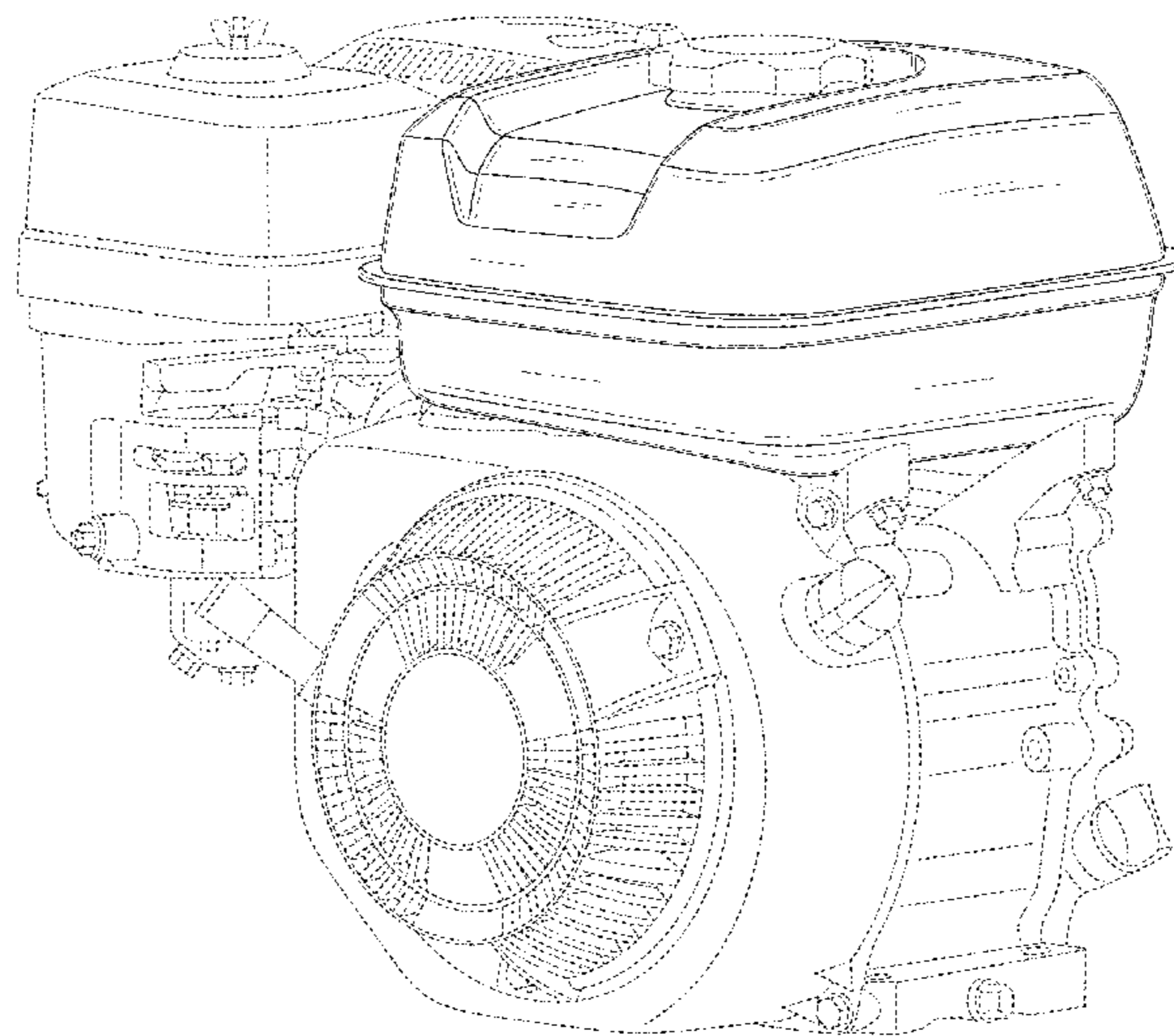
(57) **CLAIM**

The ornamental design for, a fuel tank for an internal-combustion engine, as shown and described.

DESCRIPTION

FIG. 1 is a top, front, and right-side perspective view of a fuel tank for an internal -combustion engine, showing our new design;
FIG. 2 is a top, front, and left-side perspective view thereof;
FIG. 3 is a front elevation view thereof;
FIG. 4 is a rear elevation view thereof;
FIG. 5 is a top plan view thereof;
FIG. 6 is a bottom plan view thereof;
FIG. 7 is a right side elevation view thereof; and,
FIG. 8 is a left side elevation view thereof.
The broken lines showing an internal-combustion engine and a fuel tank cap are for the purposes of illustrating environmental structure and portions of the fuel tank that form no part of the claimed design.

1 Claim, 8 Drawing Sheets



(56)

References Cited

OTHER PUBLICATIONS

Colombian Office Action dated Nov. 29, 2013, issued in corresponding Colombian Design Application No. 13-176451 with English translation (13 pages).

Website (http://www.northerntool.com/shop/tools/product_299_299), retrieved date of Dec. 17, 2013, cited in the Colombian Office Action dated Nov. 29, 2013.

* cited by examiner

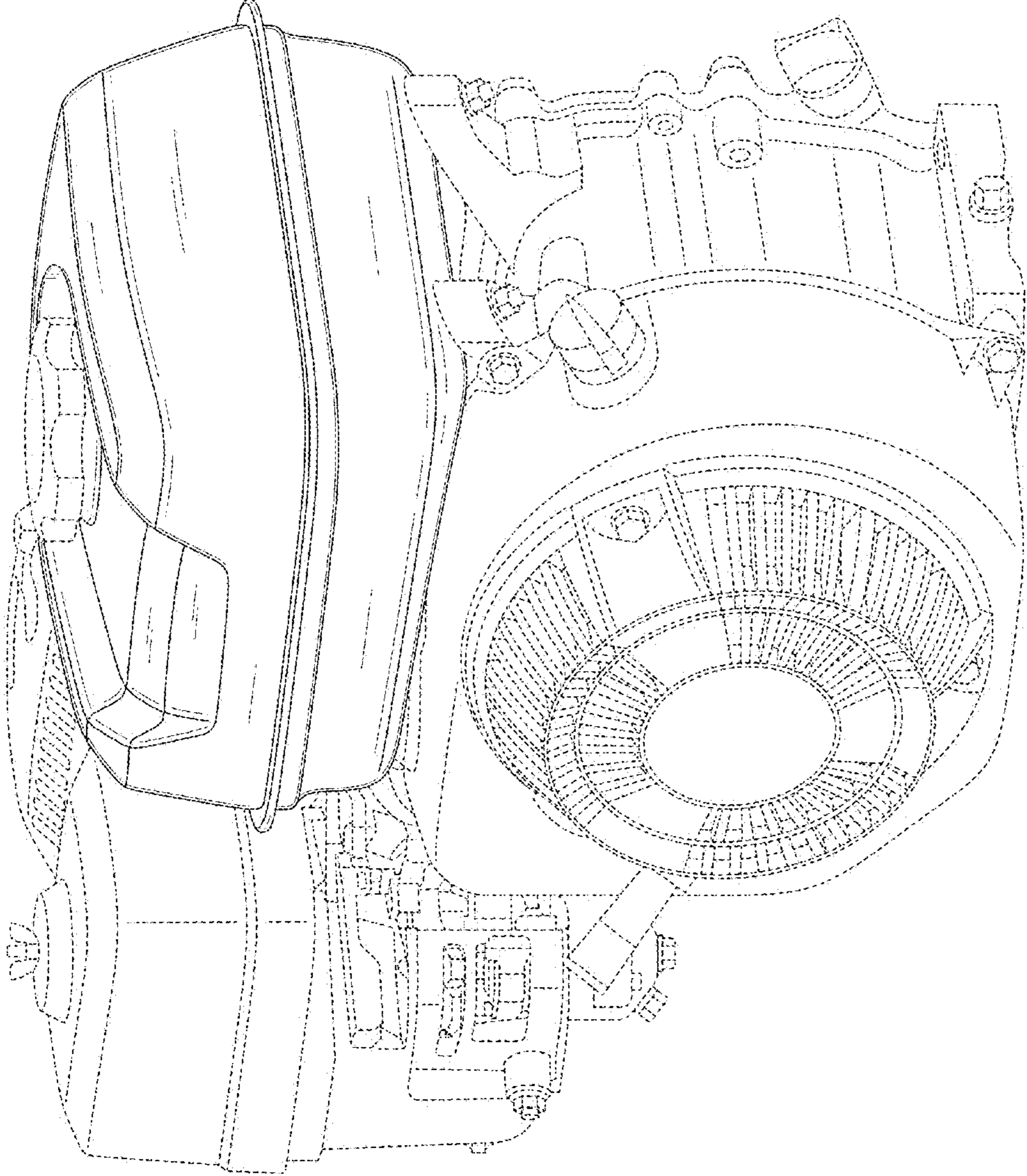


Fig.1

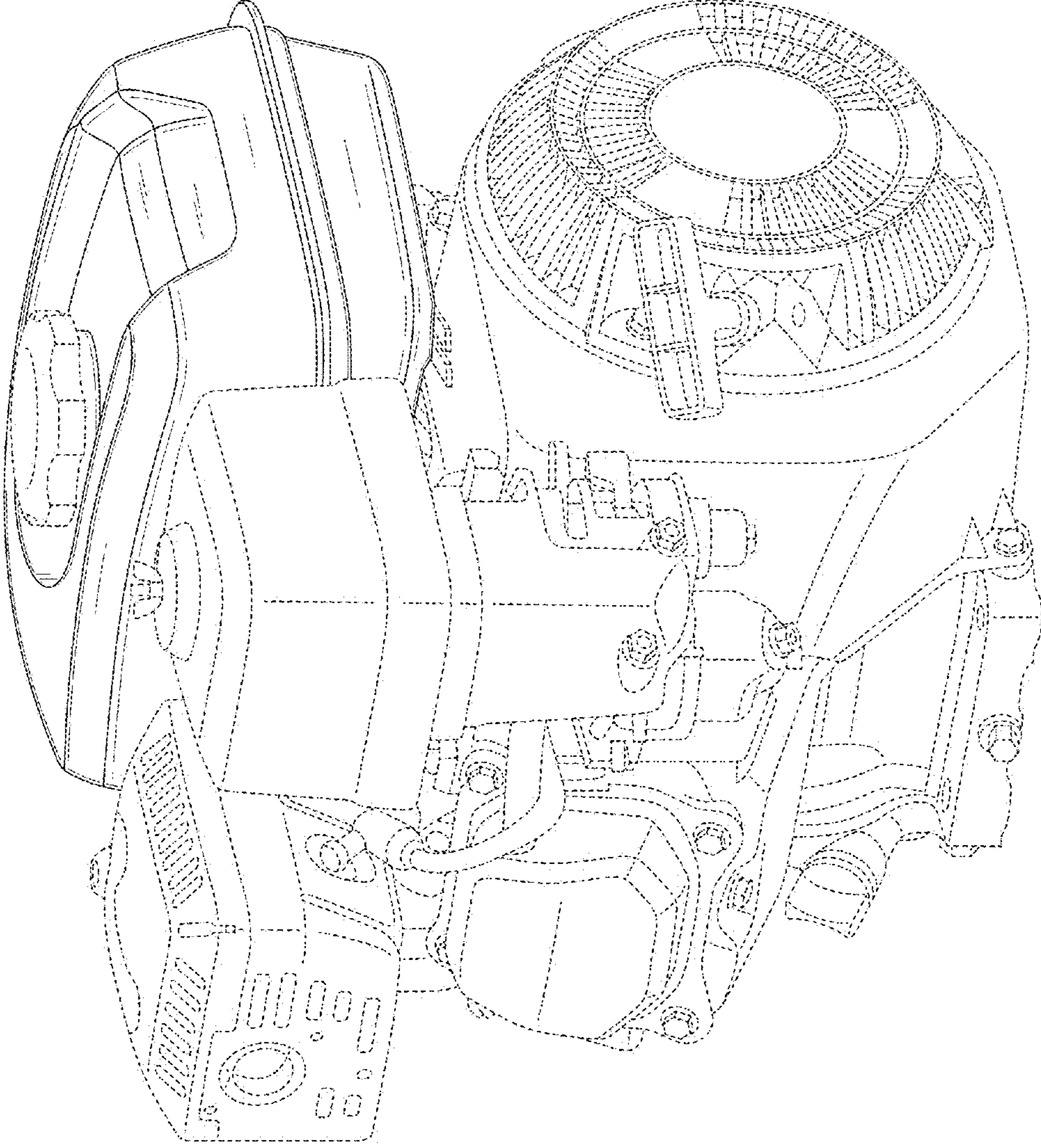


Fig.2

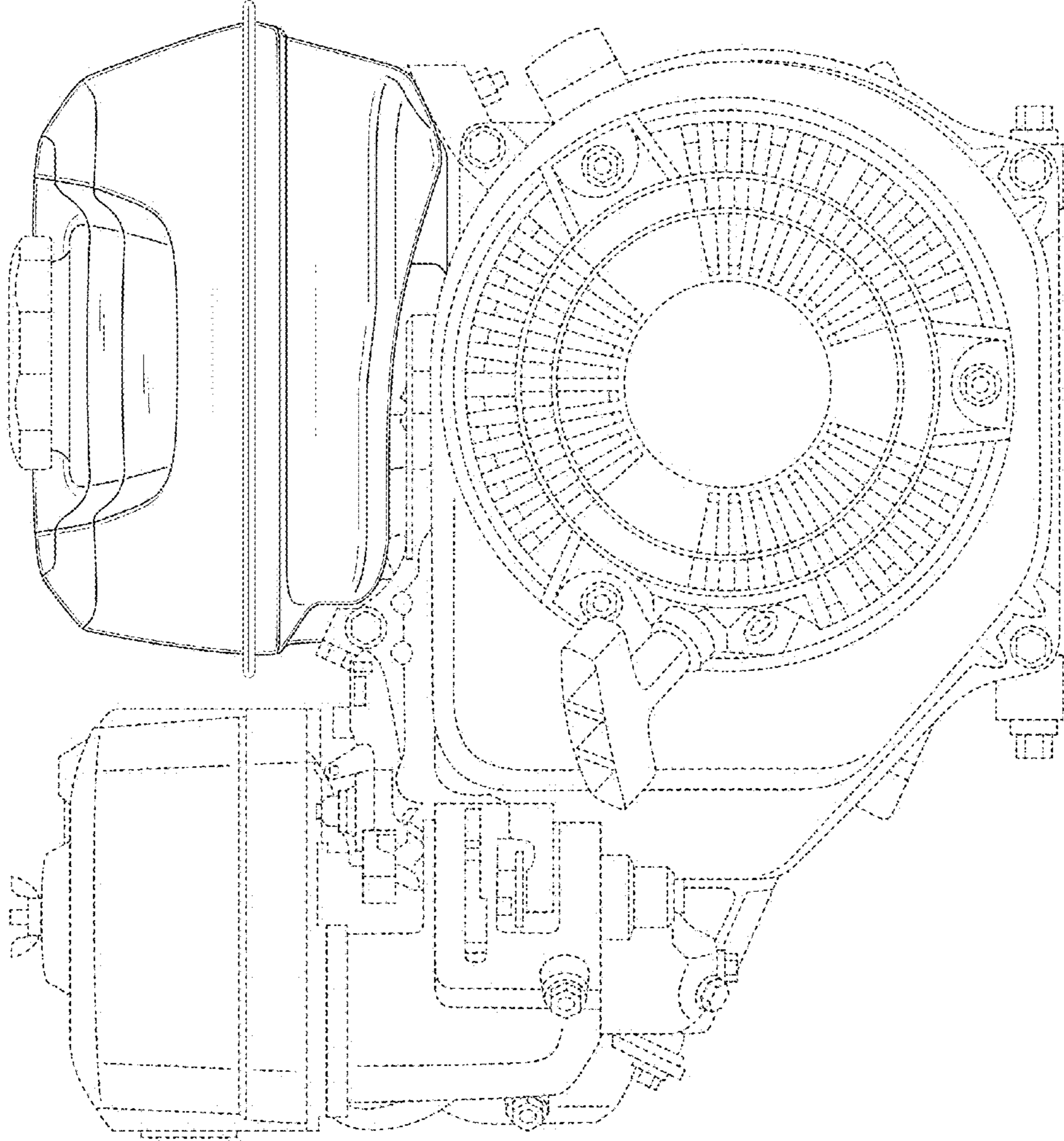


Fig.3

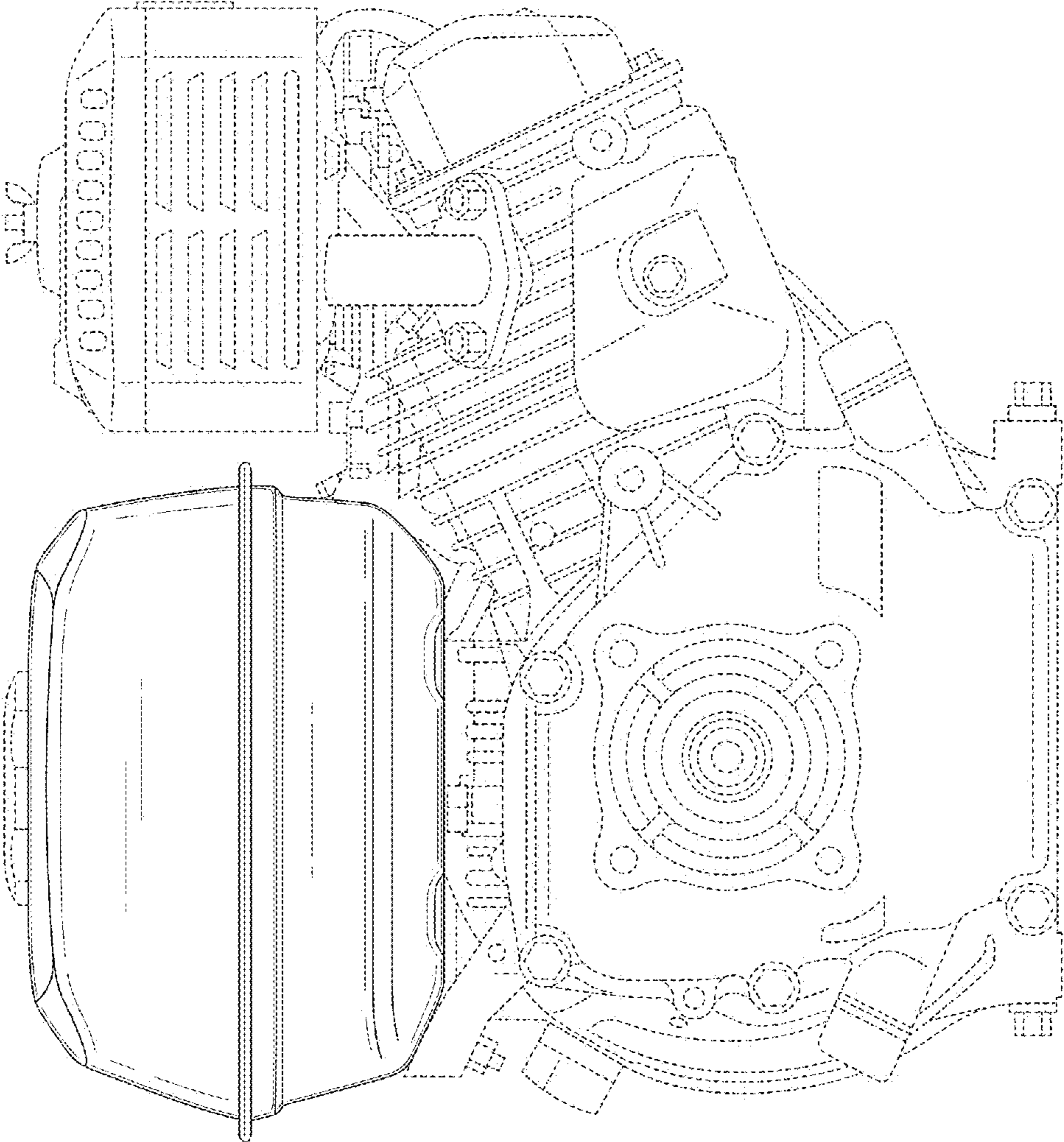


Fig.4

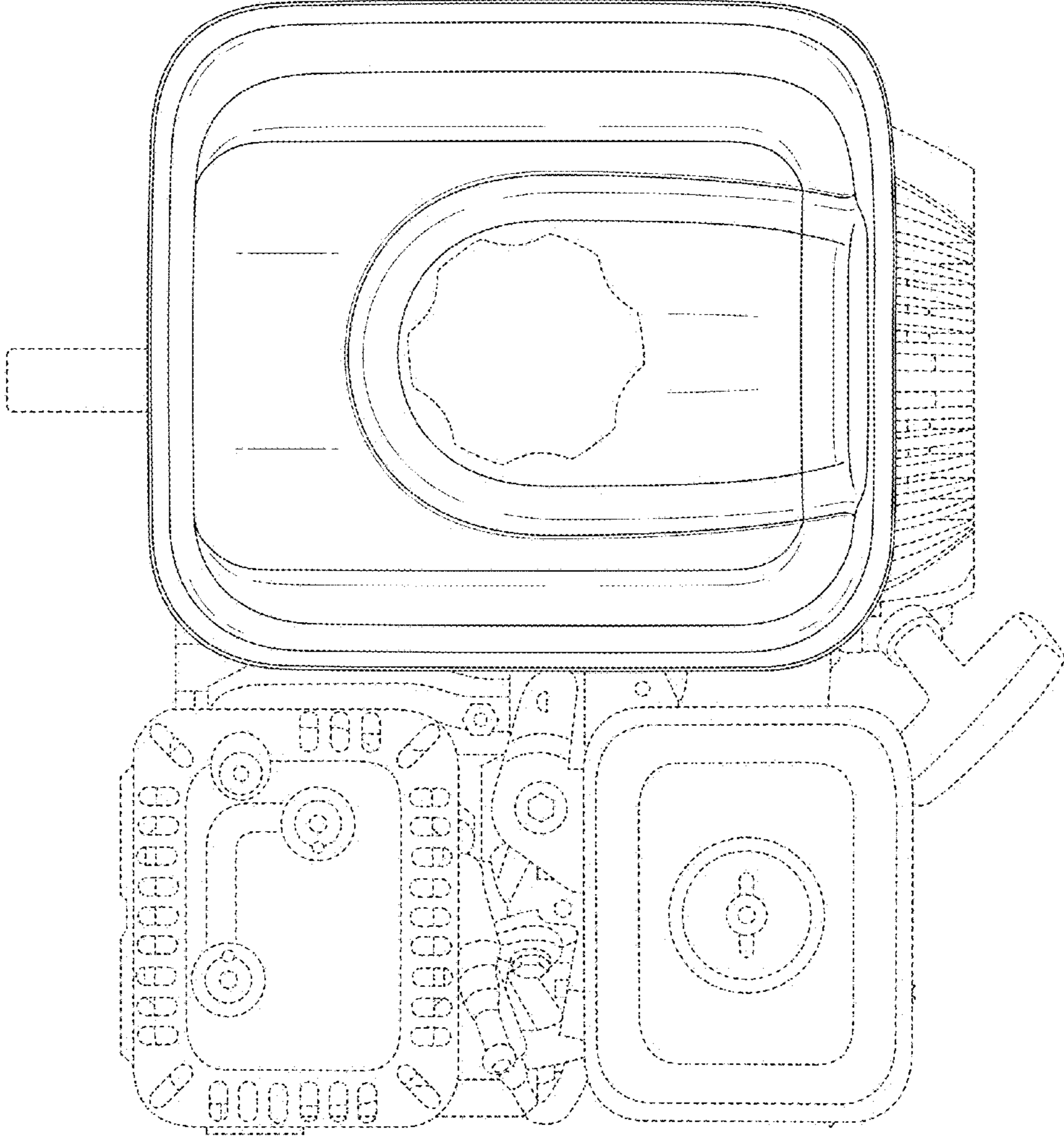


Fig.5

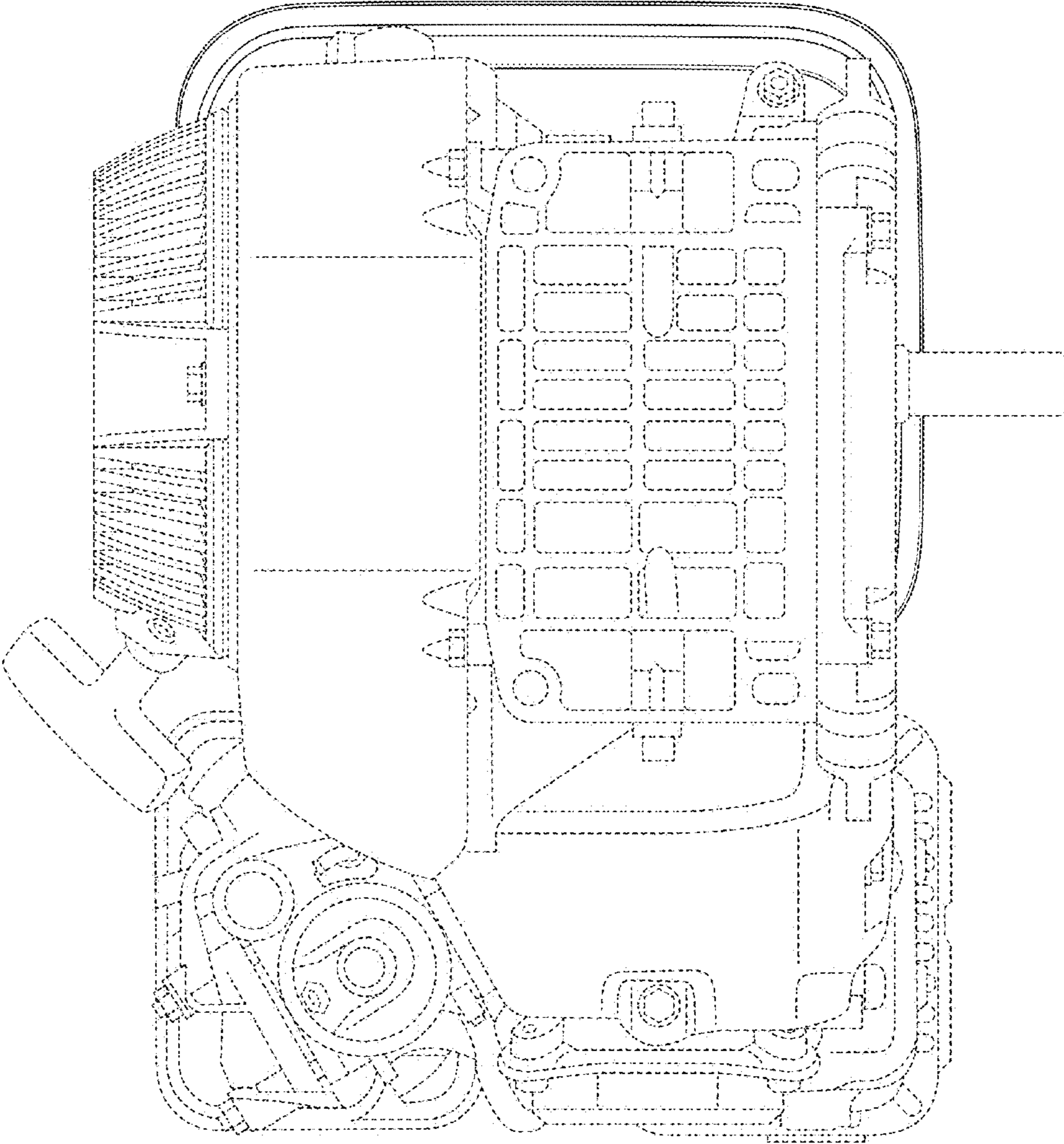


Fig.6

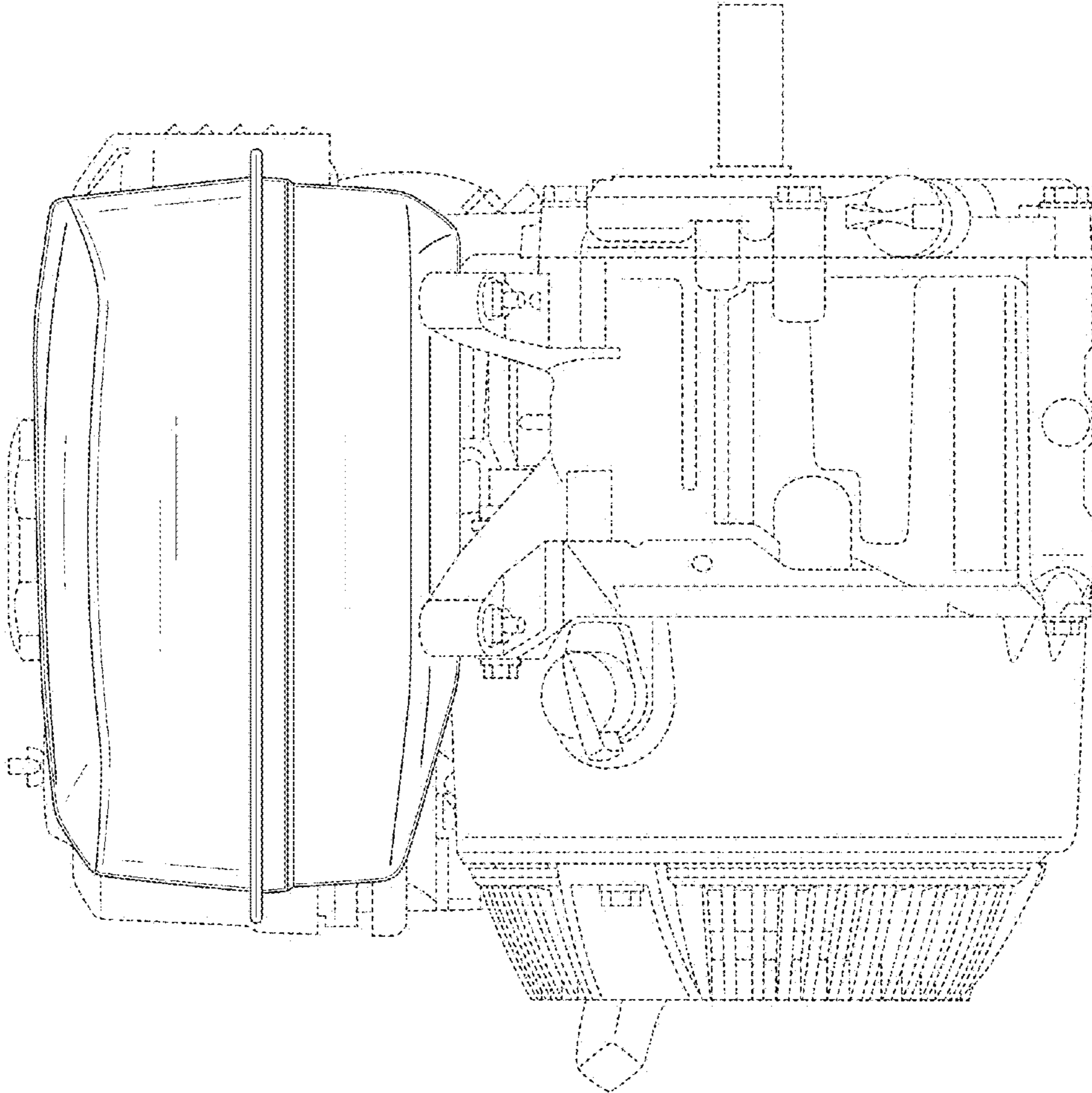


Fig.7

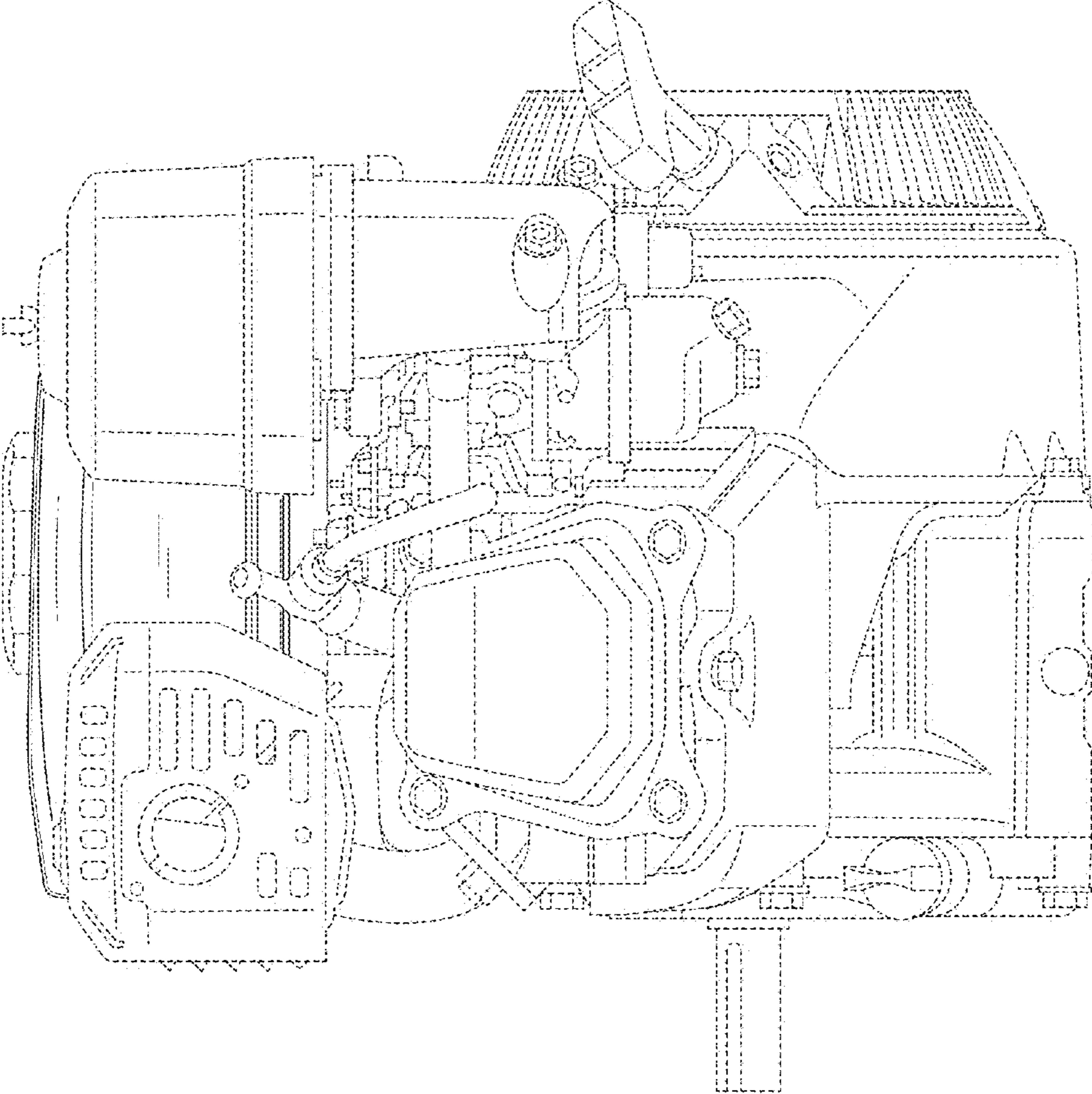


Fig.8