

US00D739804S

(12) **United States Design Patent**
Schweiger et al.

(10) **Patent No.:** **US D739,804 S**

(45) **Date of Patent:** **** Sep. 29, 2015**

(54) **ADJUSTABLE PADDLE SHAFT**
(71) Applicants: **Michael Schweiger**, Paia, HI (US);
Robert Staunton Naish, Haiku, HI (US)
(72) Inventors: **Michael Schweiger**, Paia, HI (US);
Robert Staunton Naish, Haiku, HI (US)

(73) Assignee: **Nalu Kai Incorporated**, Haiku, HI (US)

(**) Term: **14 Years**

(21) Appl. No.: **29/442,660**

(22) Filed: **Apr. 12, 2013**

(51) **LOC (10) Cl.** **12-06**

(52) **U.S. Cl.**
USPC **D12/215**

(58) **Field of Classification Search**
USPC D12/215, 317; D21/804, 806, 807;
114/347; 416/69, 70 R, 71, 72, 74;
440/13, 15, 19, 101, 102, 110;
441/55-64; 417/236; 403/109.1, 109.5,
403/109.8
CPC B63H 16/00; B63H 16/04
See application file for complete search history.

(56) **References Cited**

U.S. PATENT DOCUMENTS

2,343,726	A *	3/1944	Witt	416/74
3,044,410	A *	7/1962	Edmundson	417/236
3,095,825	A *	7/1963	Sandberg et al.	92/15
3,362,033	A *	1/1968	Fee	416/72
3,677,216	A *	7/1972	Gentemann	440/102
D224,983	S *	10/1972	Bolen, Jr.	D12/215
3,970,032	A *	7/1976	Phillips	440/102
D244,680	S *	6/1977	Leidigh et al.	D12/215
4,622,017	A *	11/1986	McGraw	440/101
4,820,216	A *	4/1989	Masters	440/101
4,955,839	A *	9/1990	Kaschper	440/101

5,163,778	A *	11/1992	Botero	440/101
D362,834	S *	10/1995	Stout et al.	D12/215
6,022,255	A *	2/2000	Lukanovich	440/101
6,544,087	B1 *	4/2003	Peng	440/101
7,367,858	B2 *	5/2008	Matuska et al.	440/101
D632,241	S *	2/2011	Okuda	D12/215
D632,629	S *	2/2011	Bradley	D12/215
8,043,020	B2 *	10/2011	Peng	403/109.5

* cited by examiner

Primary Examiner — Martie K Holtje

(74) *Attorney, Agent, or Firm* — Keri Ann K. S. Krzykowski;
Martin E. Hsia

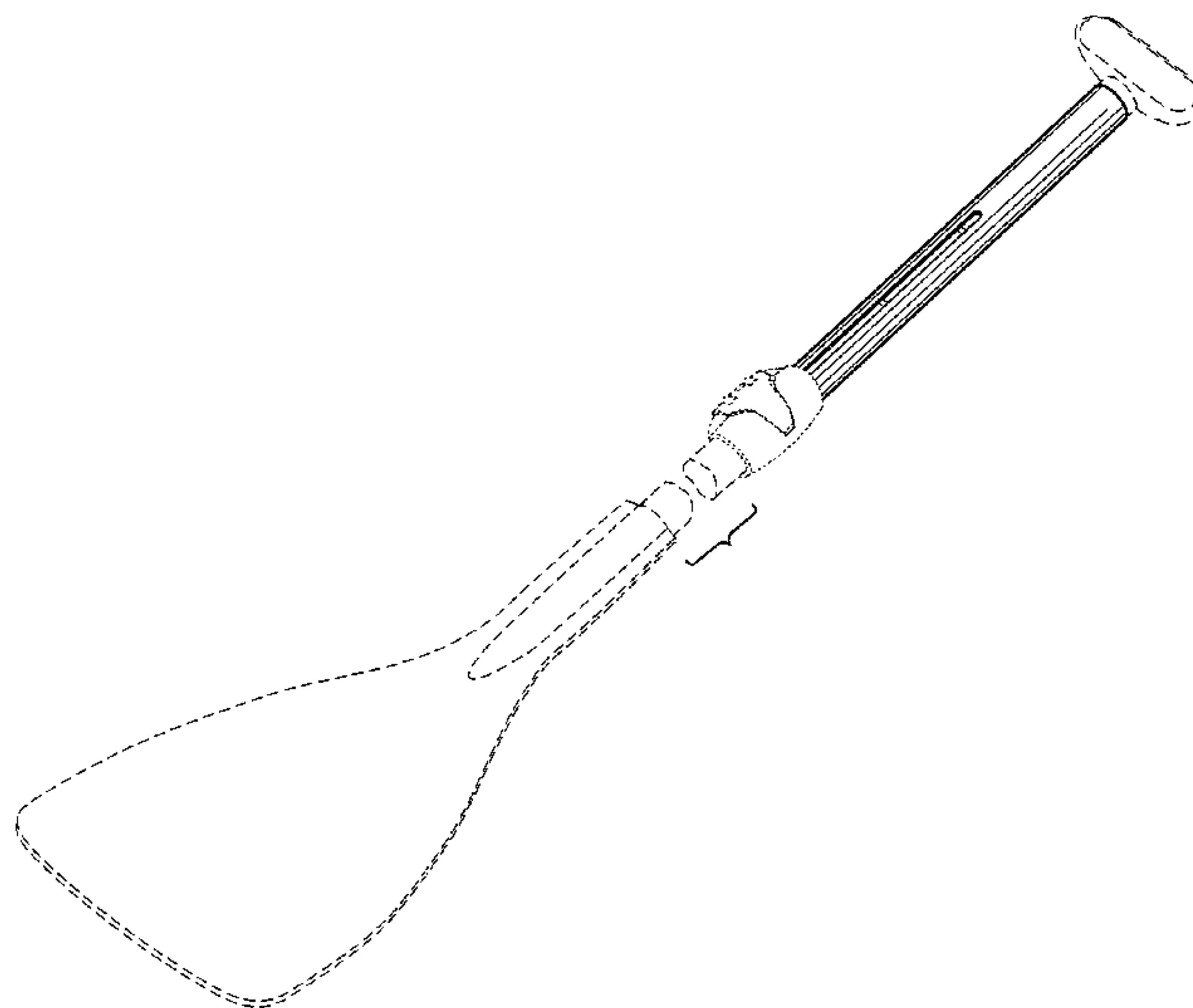
(57) **CLAIM**

The ornamental design for an adjustable paddle shaft, as shown and described.

DESCRIPTION

FIG. 1 is a top, right front perspective view of an adjustable paddle shaft showing our new design; FIG. 2 is a front elevational view thereof drawn to an enlarged scale; FIG. 3 is a rear elevational view of FIG. 2; FIG. 4 is a top plan view of FIG. 2; FIG. 5 is a bottom plan view of FIG. 2; FIG. 6 is a cross-sectional view thereof taken in the direction of arrows 4-4 in FIG. 4; FIG. 7 is a second top, right front perspective view of FIG. 1; FIG. 8 is a right front perspective view drawn to the scale of FIGS. 2 through 6; and, FIG. 9 is an exploded perspective detail view drawn to an enlarged scale with respect to FIGS. 2 through 6. The structural features depicted by broken lines in the drawings have been shown for the purpose of illustrating portions of the adjustable paddle shaft that form no part of the claimed design.

1 Claim, 6 Drawing Sheets



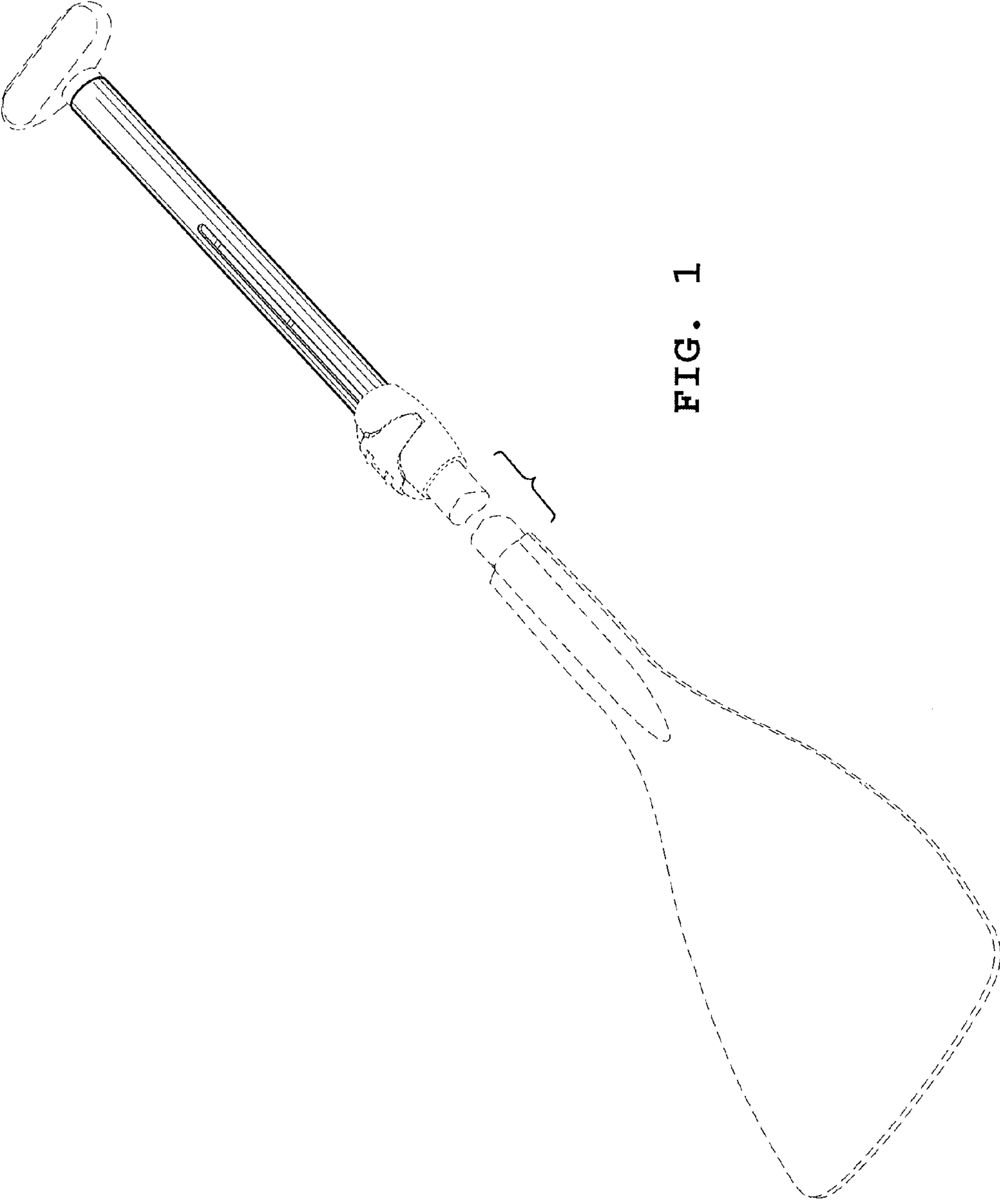


FIG. 1

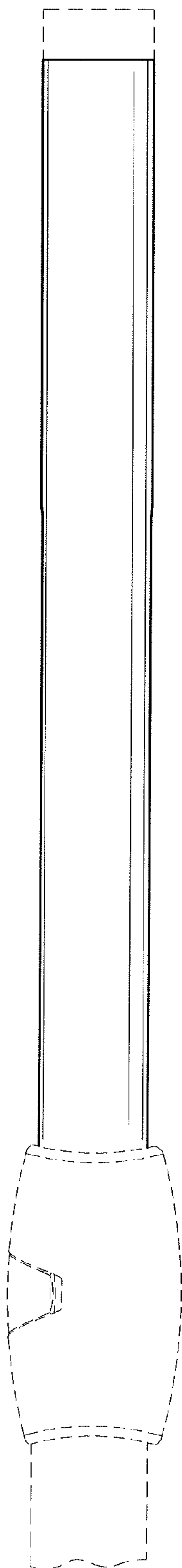


FIG. 2

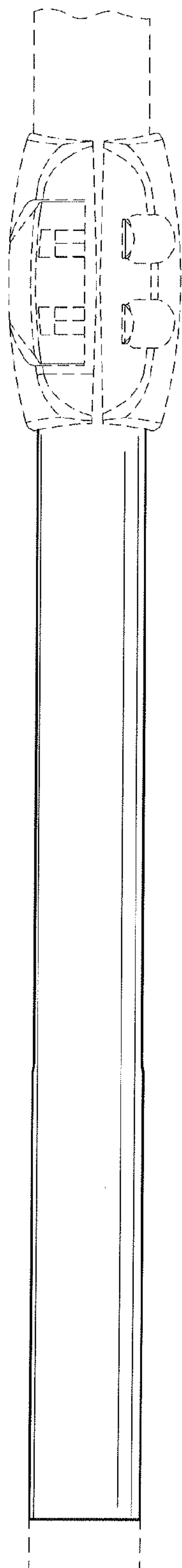
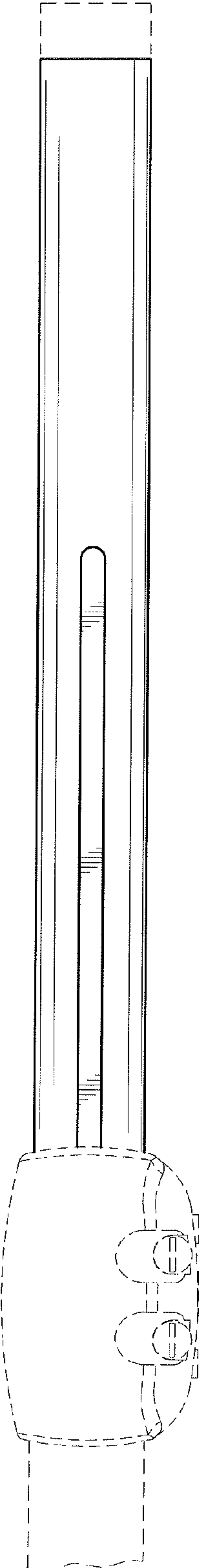
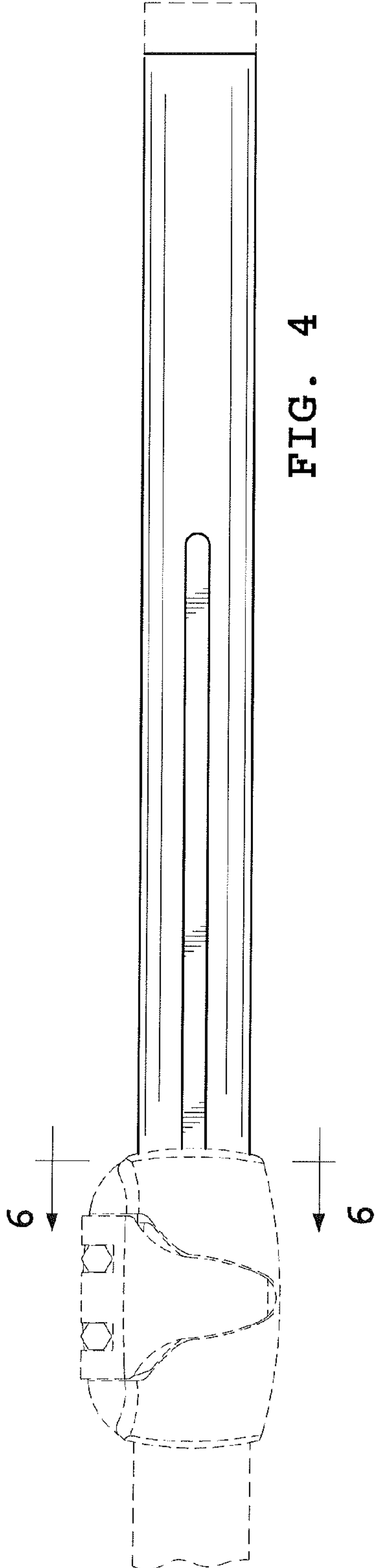


FIG. 3



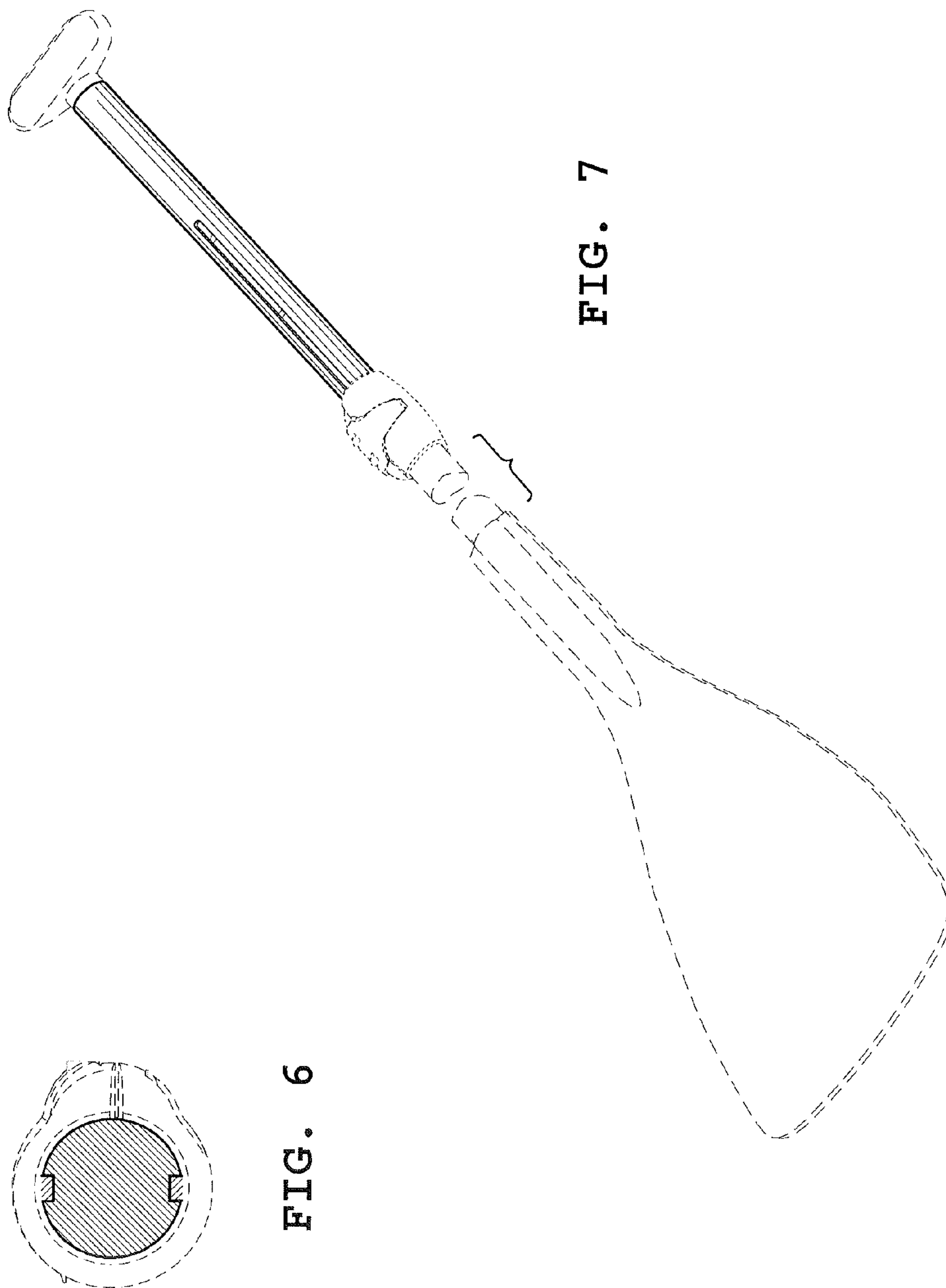


FIG. 6

FIG. 7

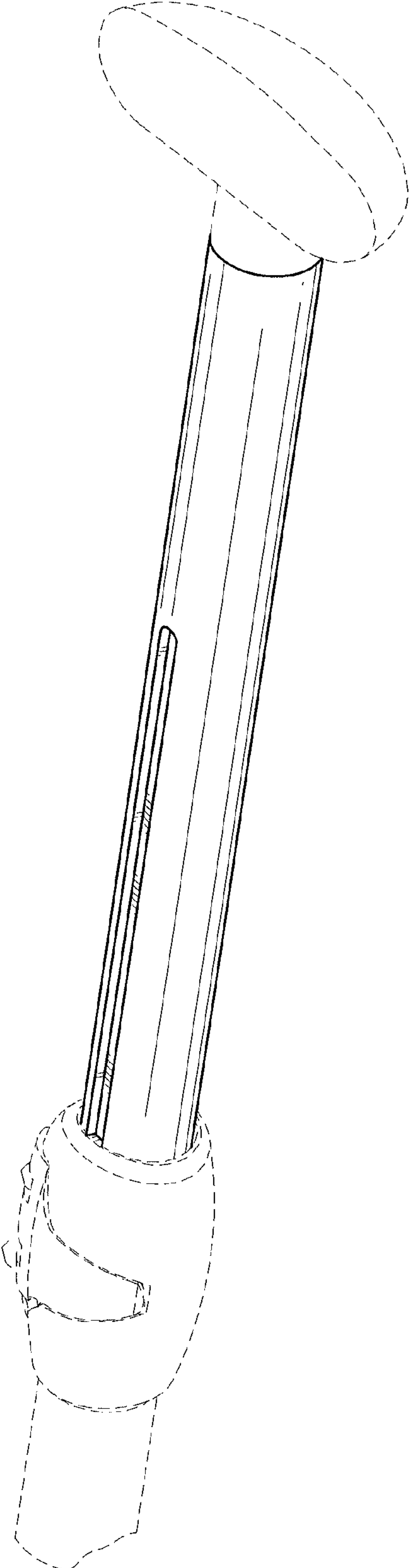


FIG. 8

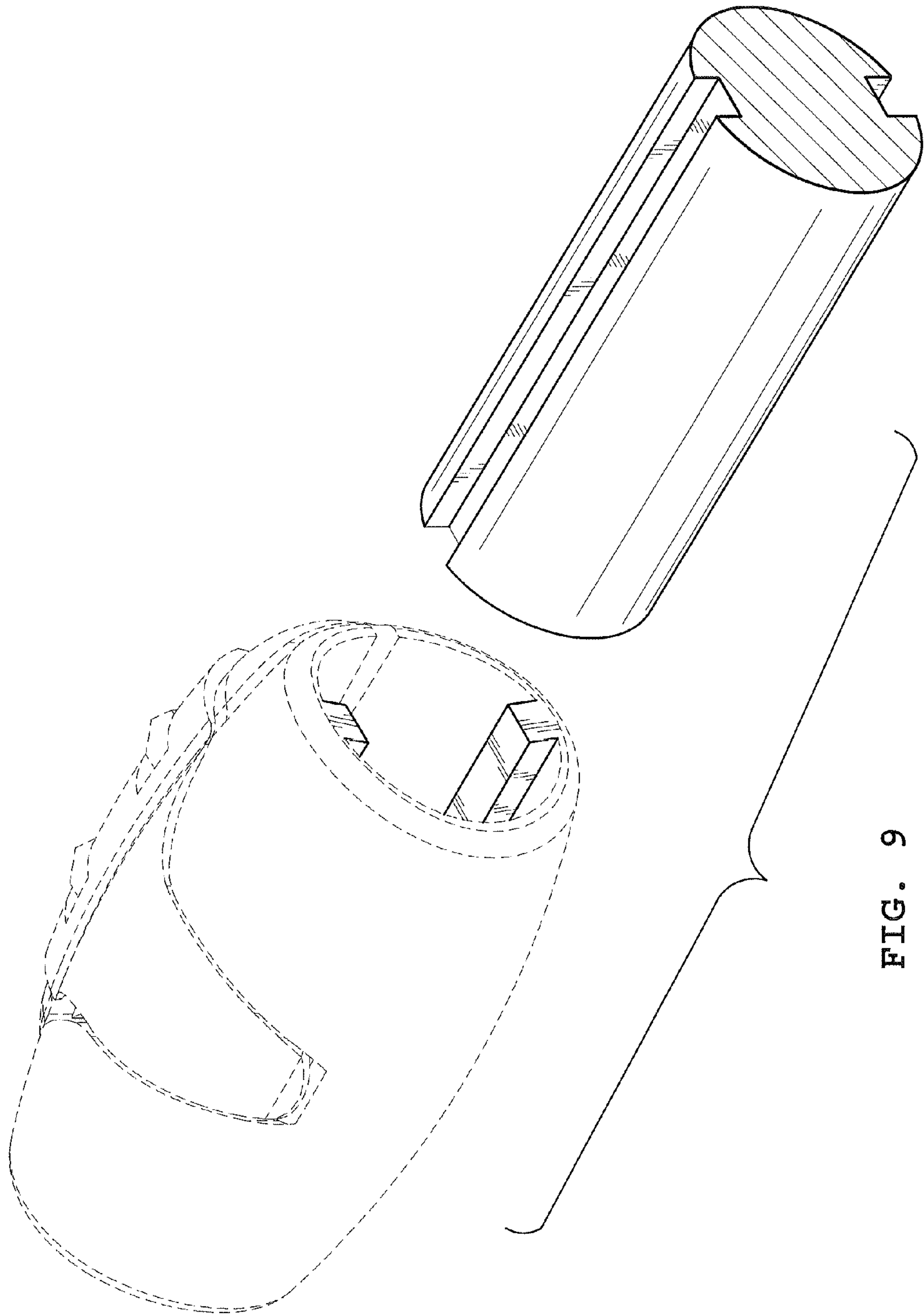


FIG. 9