



US00D739800S

(12) **United States Design Patent**
Spencer et al.

(10) **Patent No.:** **US D739,800 S**

(45) **Date of Patent:** **** Sep. 29, 2015**

(54) **LICENSE PLATE FRAME**

(71) Applicant: **Cruiser Accessories, LLC**, Monument, CO (US)

(72) Inventors: **Todd Spencer**, Monument, CO (US);
Eldon Goates, Colorado Springs, CO (US); **Bret Zelenka**, Monument, CO (US)

(73) Assignee: **Cruiser Accessories, LLC**, Monument, CO (US)

(**) Term: **14 Years**

(21) Appl. No.: **29/485,208**

(22) Filed: **Mar. 17, 2014**

(51) **LOC (10) Cl.** **12-16**

(52) **U.S. Cl.**

USPC **D12/193**

(58) **Field of Classification Search**

USPC D12/193; D6/300, 301, 302, 304, 309,
D6/310, 311, 312, 313, 314; D20/13;
40/200, 201, 202, 203, 204, 207-214;
348/148, 373

See application file for complete search history.

(56) **References Cited**

U.S. PATENT DOCUMENTS

D359,262	S	*	6/1995	Shusterman	D12/193
D360,479	S	*	7/1995	Howard	D12/193
D367,459	S	*	2/1996	Spencer	D12/193
D368,693	S	*	4/1996	Spencer	D12/193
D377,777	S	*	2/1997	Kheyfets	D12/193
D408,341	S	*	4/1999	Spencer	D12/193
D412,307	S	*	7/1999	Hartmann et al.	D12/193
D413,847	S	*	9/1999	Hartmann et al.	D12/193
D488,753	S	*	4/2004	Spencer	D12/193
D516,483	S	*	3/2006	Eidsmore	D12/193
D705,712	S	*	5/2014	Spencer et al.	D12/193
D712,326	S	*	9/2014	Spencer et al.	D12/193
D717,223	S	*	11/2014	Doerr	D12/193
2011/0283574	A1	*	11/2011	Ellman et al.	40/209

OTHER PUBLICATIONS

Cruiser Accessories 20050 Classic Lite, Black. (Jun. 2004.), [online], [site visited Dec. 3, 2014]. Available from internet, URL: Retrieved from <http://www.amazon.com/Cruiser-Accessories-20050-ClassicBlack/dp/B00032K1QI/ref=sr_1_121?ie=UTF8&qid=1420566232&sr=8-121&keywords=cruiser+accessories+license+plates>.*

* cited by examiner

Primary Examiner — George D Kirschbaum

Assistant Examiner — Natasha Vujcic

(74) *Attorney, Agent, or Firm* — Linda Flewellen Gould

(57) **CLAIM**

The ornamental design for a license plate frame, as shown and described.

DESCRIPTION

FIG. 1 is a perspective front view showing our new design for a license plate frame.

FIG. 2 is a magnified view of a portion of the license plate frame shown in FIG. 1.

FIG. 3 is a front view of the license plate frame of the present invention.

FIG. 4 is a right side view of the license plate frame of the present invention, the left side view being the mirror image thereof.

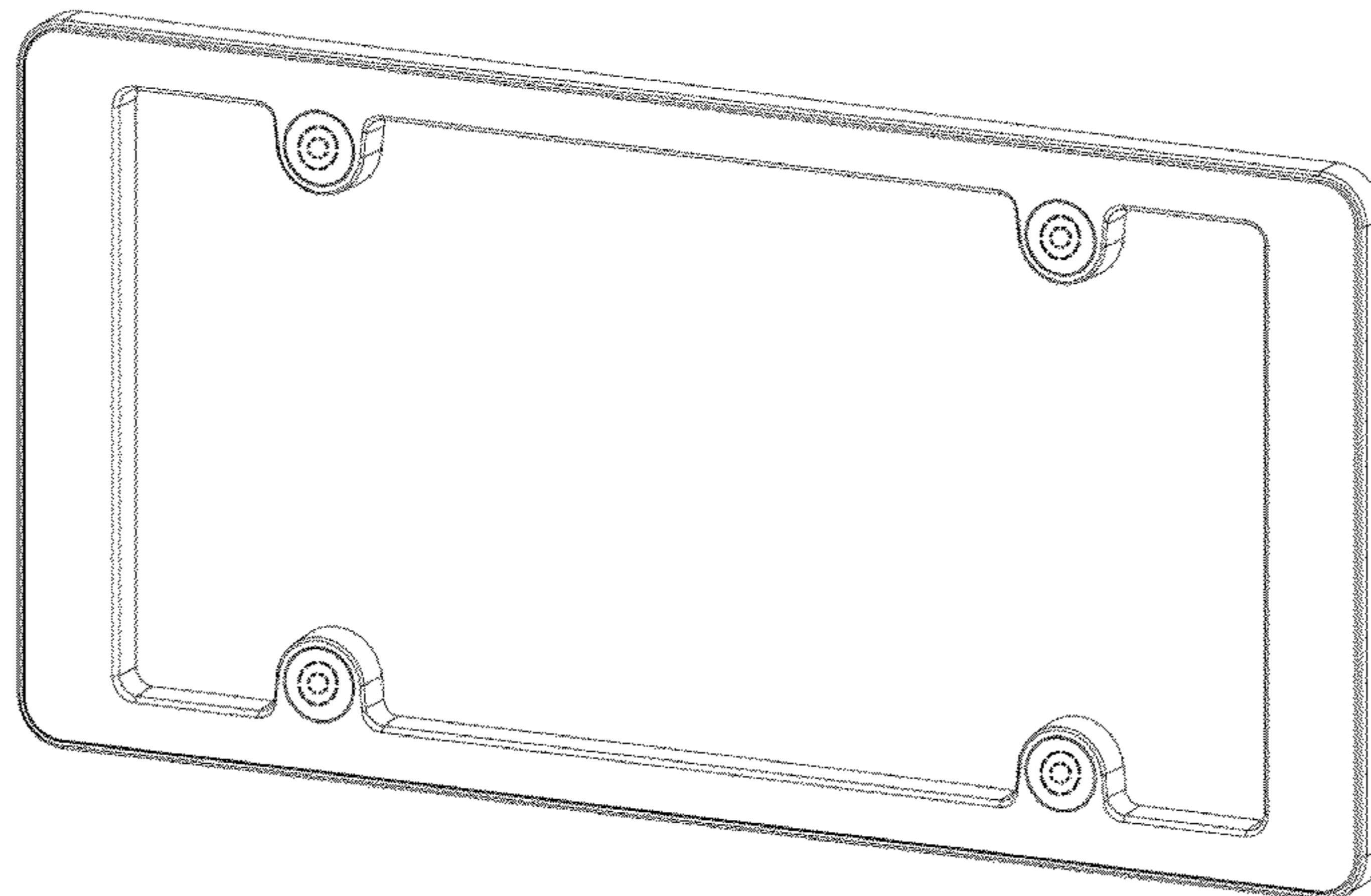
FIG. 5 is a top view of the license plate frame of the present invention, the bottom view being the mirror image thereof.

FIG. 6 is a front view showing a second embodiment of our design for a license plate frame, with a dark outline added to the perimeter of the design shown in FIG. 1; and,

FIG. 7 is front view showing a third embodiment of our design for a license plate frame, darkening the interior portion of the design shown in FIG. 1.

The broken lines in the drawings illustrate portions of the license plate frame which form no part of the claimed design.

1 Claim, 4 Drawing Sheets



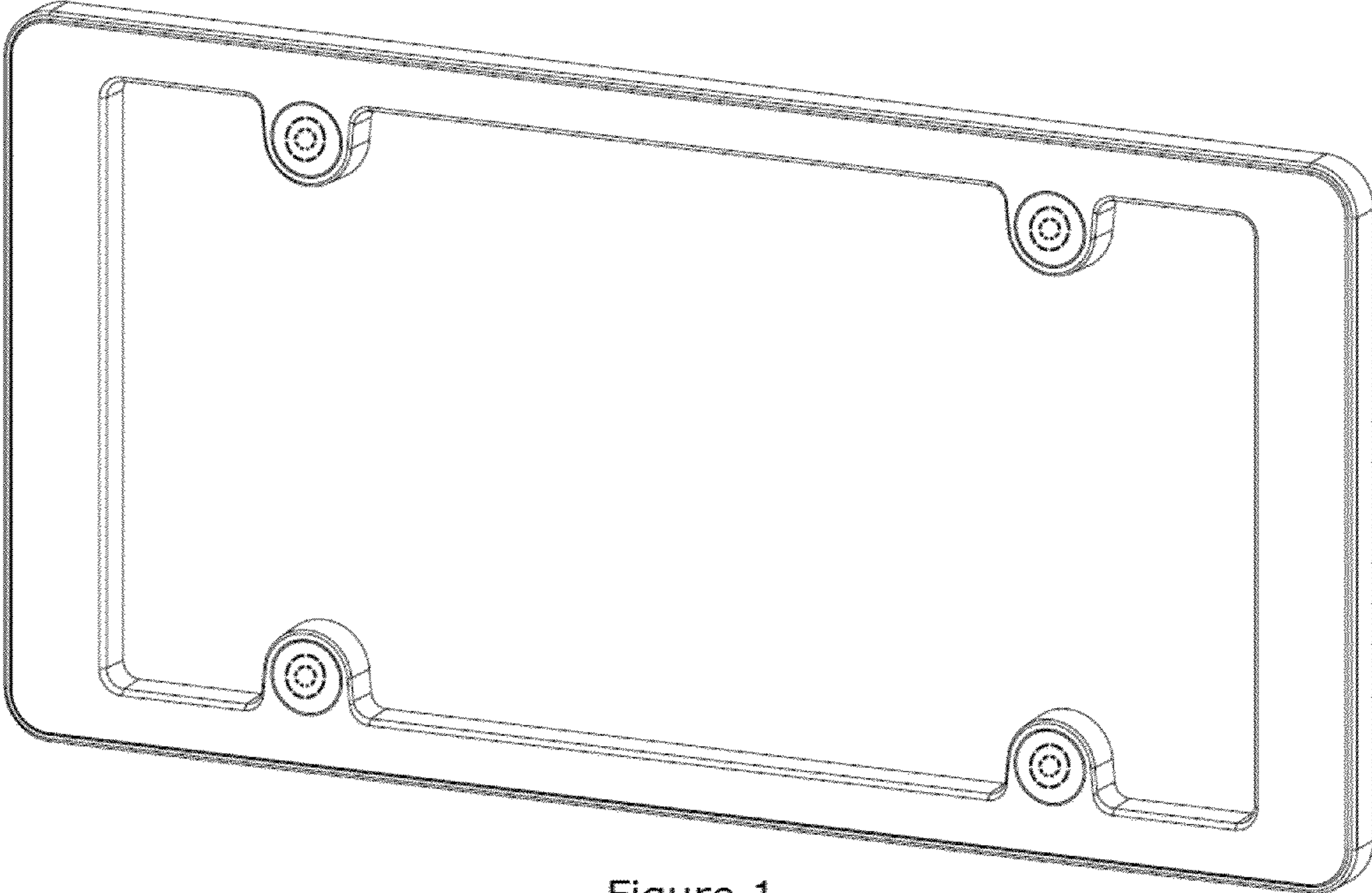


Figure 1

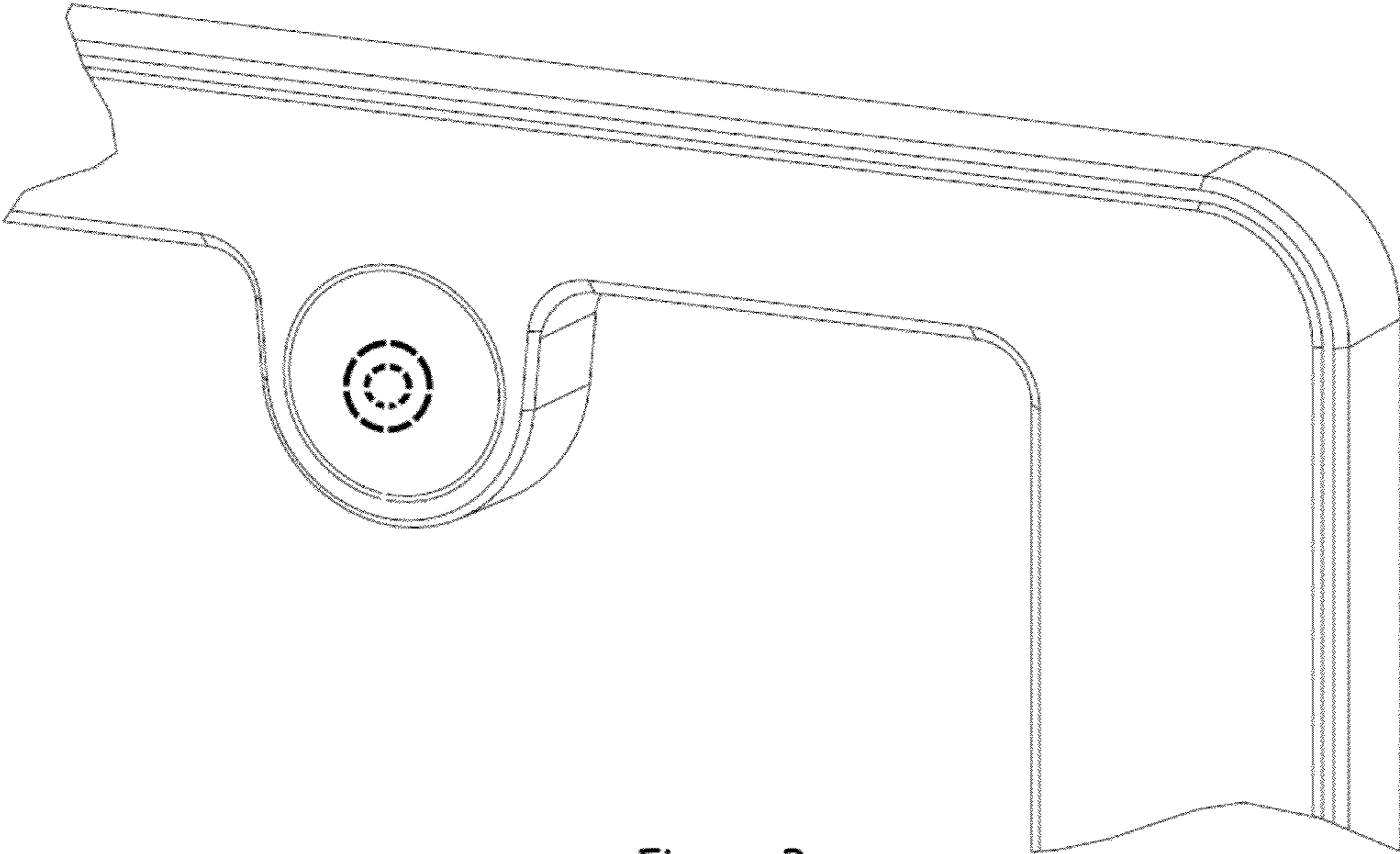


Figure 2

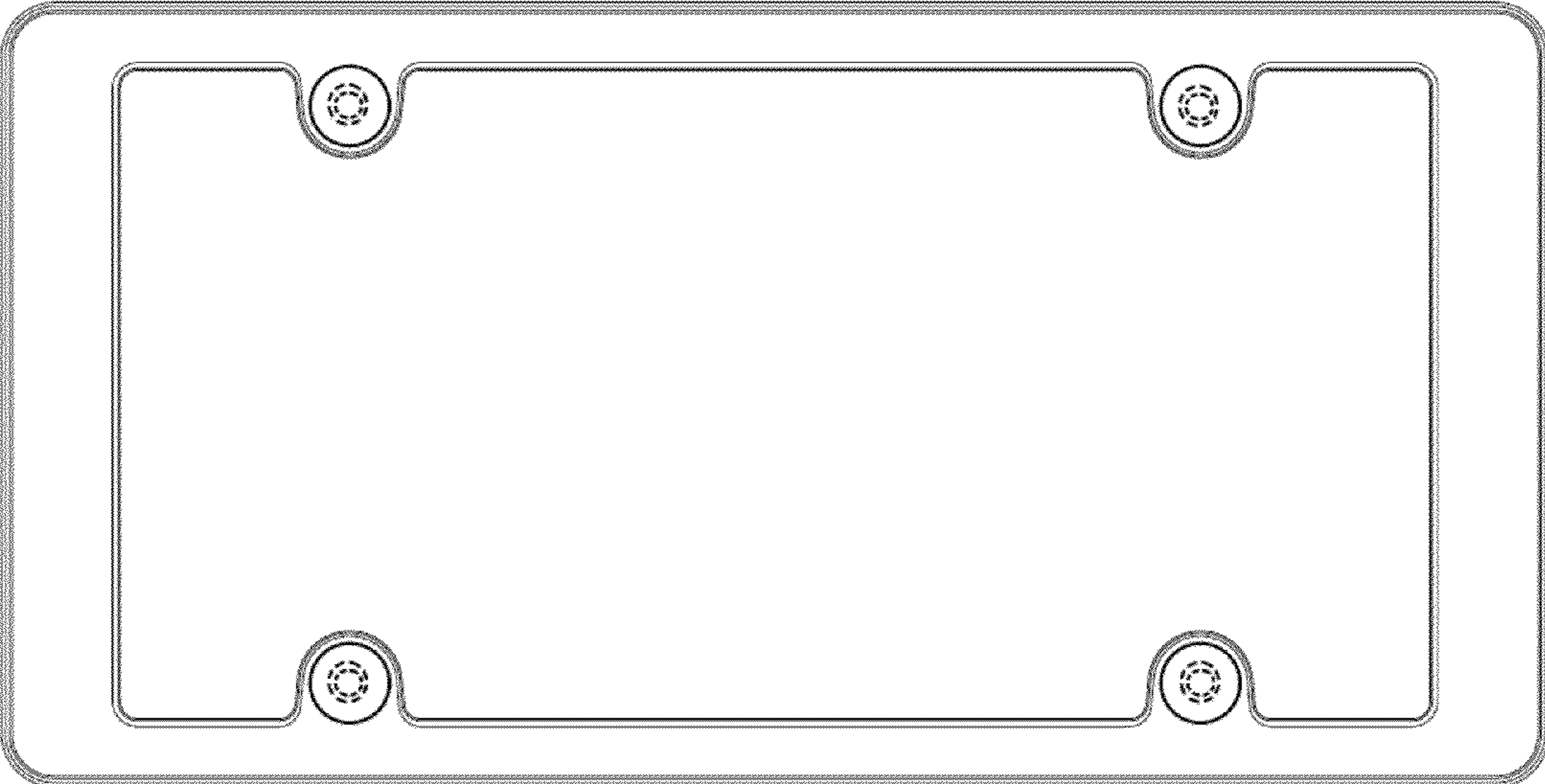


Figure 3



Figure 4



Figure 5

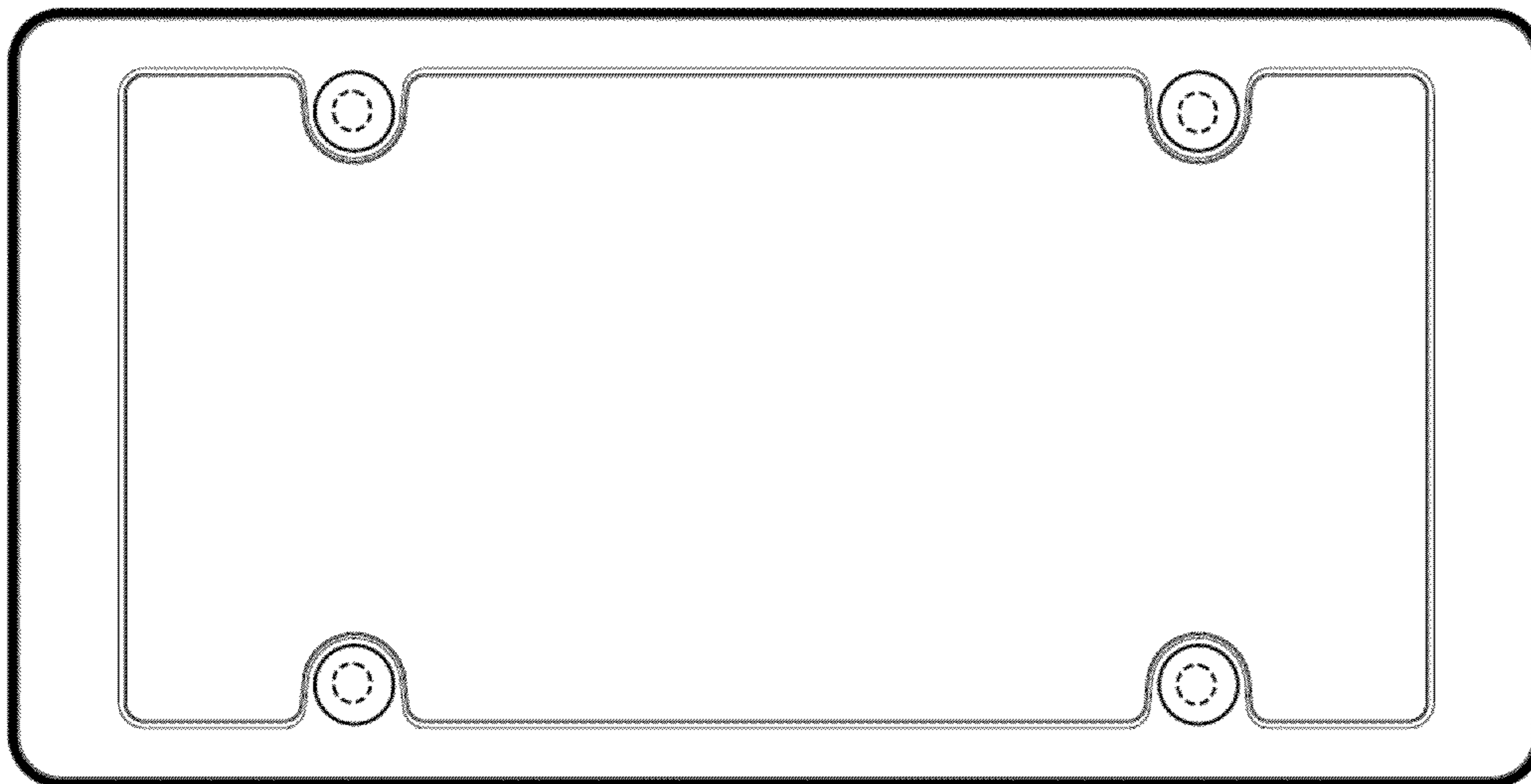


Figure 6

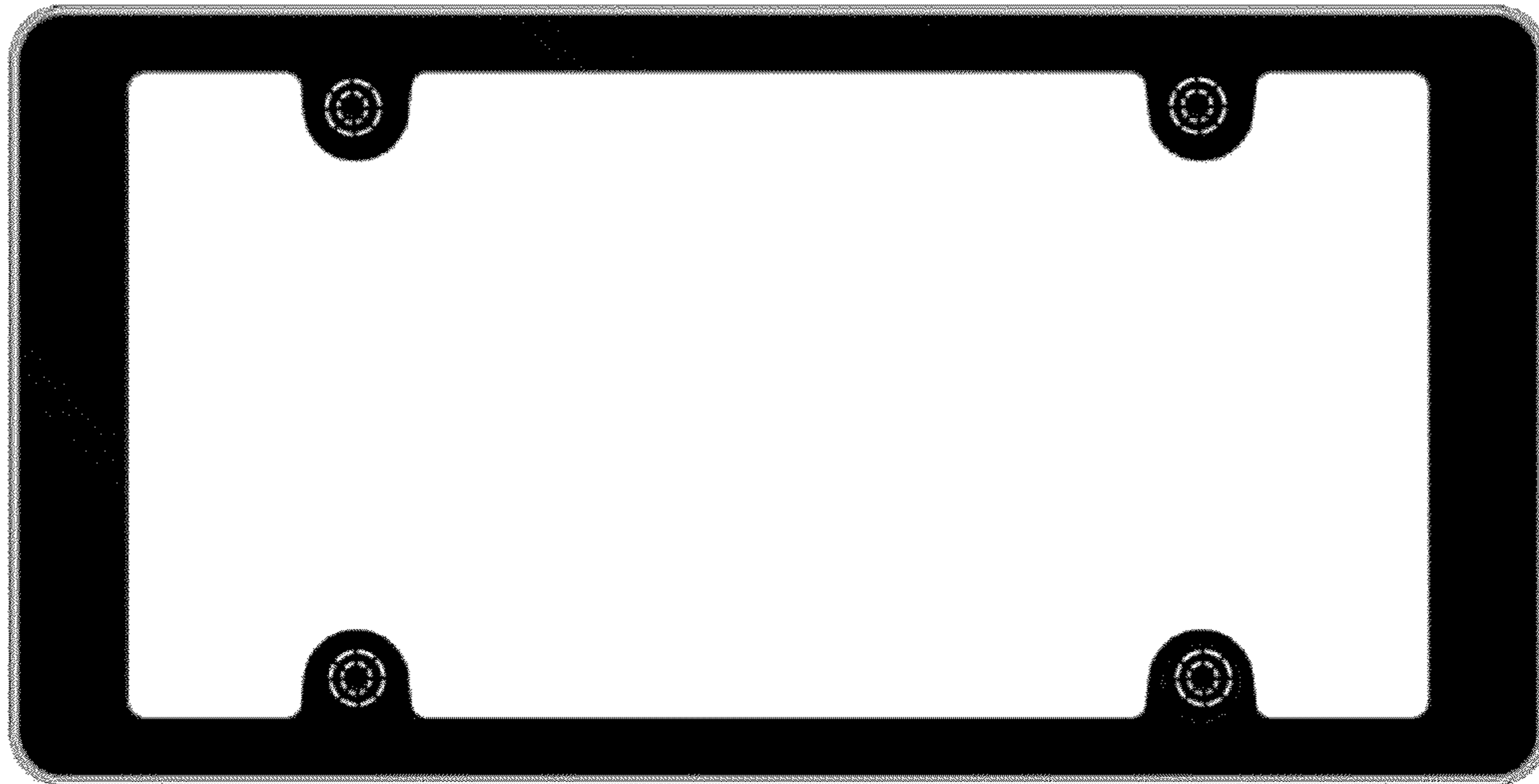


Figure 7