



US00D739799S

(12) **United States Design Patent**
Aoki et al.

(10) **Patent No.:** **US D739,799 S**

(45) **Date of Patent:** **** Sep. 29, 2015**

(54) **SPRING FOR VEHICLE SUN VISOR**

(71) Applicants: **Piolax, Inc.**, Yokohama-shi (JP); **Kasai Kogyo Co., Ltd.**, Kouza-gun (JP)

(72) Inventors: **Ryou Aoki**, Yokohama (JP); **Moto Nakagawa**, Yokohama (JP); **Daiki Kawara**, Kouza-gun (JP)

(73) Assignees: **Piolax, Inc.**, Yokohama-shi, Kanagawa (JP); **Kasai Kogyo Co., Ltd.**, Kouza-gun, Kanagawa (JP)

(**) Term: **14 Years**

(21) Appl. No.: **29/483,251**

(22) Filed: **Feb. 26, 2014**

(30) **Foreign Application Priority Data**

Aug. 27, 2013 (JP) 2013-019604

(51) **LOC (10) Cl.** **12-16**

(52) **U.S. Cl.**
USPC **D12/191**

(58) **Field of Classification Search**

USPC D12/191, 181, 183-185, 106, 417,
D12/311-312; 296/97.1-97.8, 180.1;
160/370.21-370.23

CPC B60J 3/02; B60J 3/0208
See application file for complete search history.

(56) **References Cited**

U.S. PATENT DOCUMENTS

4,317,589 A * 3/1982 Kuss 296/97.6
D443,573 S * 6/2001 Finlayson et al. D12/191

(Continued)

Primary Examiner — Katrina A Betton

(74) *Attorney, Agent, or Firm* — McGinn IP Law Group, PLLC

(57) **CLAIM**

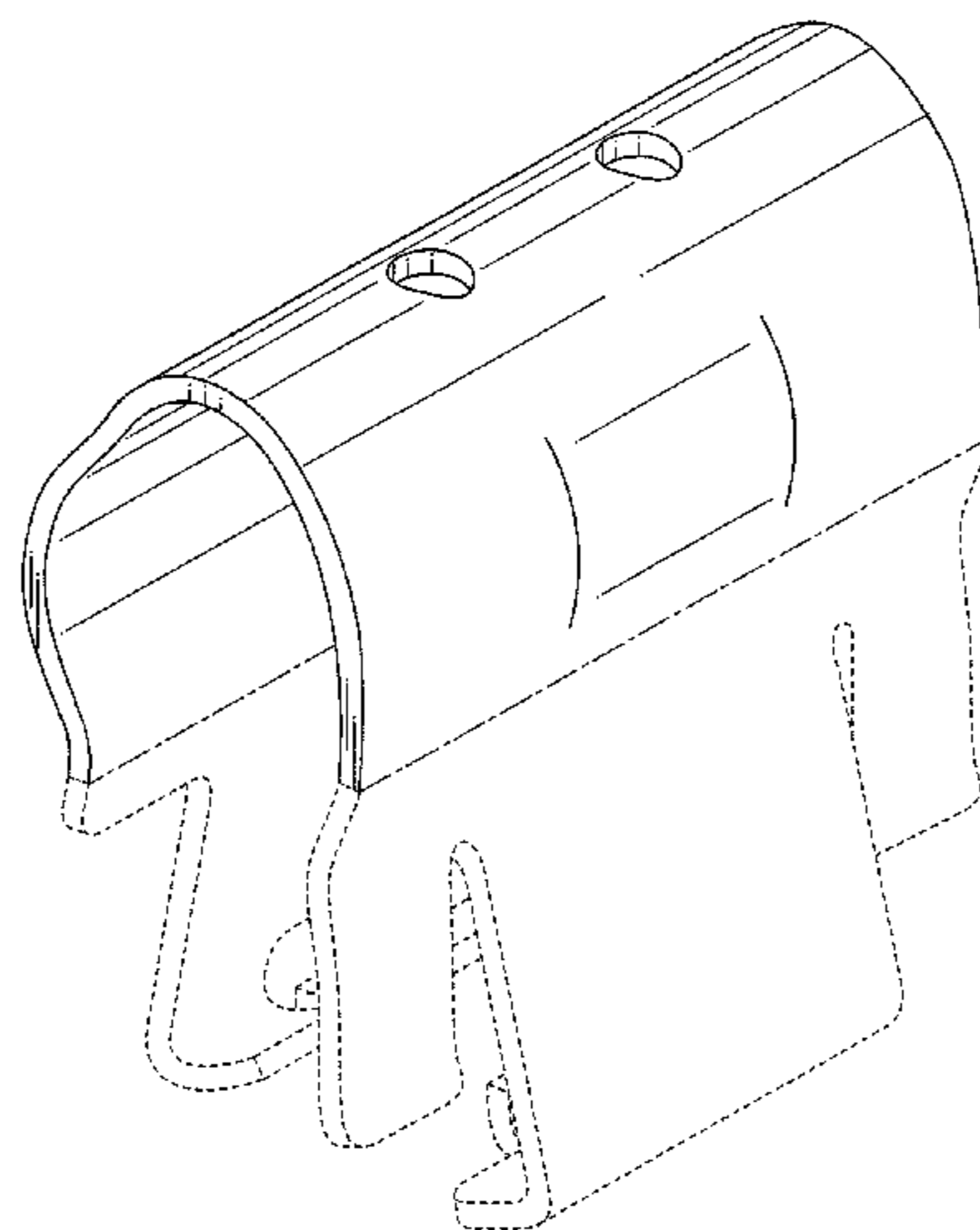
The ornamental design for a spring for vehicle sun visor, as shown and described.

DESCRIPTION

FIG. 1 is a front perspective view of a spring for vehicle sun visor in an open state, showing our new design; FIG. 2 is a rear perspective view in an open state thereof; FIG. 3 is a front view in an open state thereof; FIG. 4 is a rear view in an open state thereof; FIG. 5 is a left side view in an open state thereof; FIG. 6 is a right side view in an open state thereof; FIG. 7 is a top view in an open state thereof; FIG. 8 is a bottom view in an open state thereof; FIG. 9 is a cross-sectional view thereof, taken along the line 9-9 of FIG. 3; FIG. 10 is a cross-sectional view thereof, taken along the line 10-10 of FIG. 3; FIG. 11 is a cross-sectional view thereof, taken along the line 11-11 of FIG. 7; FIG. 12 is a front perspective view of the spring for vehicle sun visor in a closed state thereof; FIG. 13 is a front view in a closed state thereof; FIG. 14 is a rear view in a closed state thereof; FIG. 15 is a left side view in a closed state thereof; FIG. 16 is a right side view in a closed state thereof; FIG. 17 is a top view in a closed state thereof; FIG. 18 is a bottom view in a closed state thereof; FIG. 19 is a cross-sectional view thereof, taken along the line 19-19 of FIG. 13; FIG. 20 is a cross-sectional view thereof, taken along the line 20-20 of FIG. 13; and, FIG. 21 is a view showing a usage thereof.

The broken lines shown are included for the purpose of illustrating the unclaimed portions of the spring for vehicle sun visor and form no part of the claimed design. The short dash-long dash lines shown represents the boundary between the claimed portion and unclaimed portion.

1 Claim, 15 Drawing Sheets



(56)

References Cited

U.S. PATENT DOCUMENTS

6,412,850 B1 * 7/2002 Francis et al. 296/97.6
D476,609 S * 7/2003 Gibson D12/191
7,344,176 B2 * 3/2008 Maharaj 296/97.6
D566,636 S * 4/2008 Ma D12/191

D597,008 S * 7/2009 Gammelgard D12/191
D597,912 S * 8/2009 Tsay et al. D12/191
D658,569 S * 5/2012 Horton D12/417
D683,290 S * 5/2013 Sanchez D12/191
2009/0058125 A1 * 3/2009 Mac 296/97.2

* cited by examiner

Fig. 1

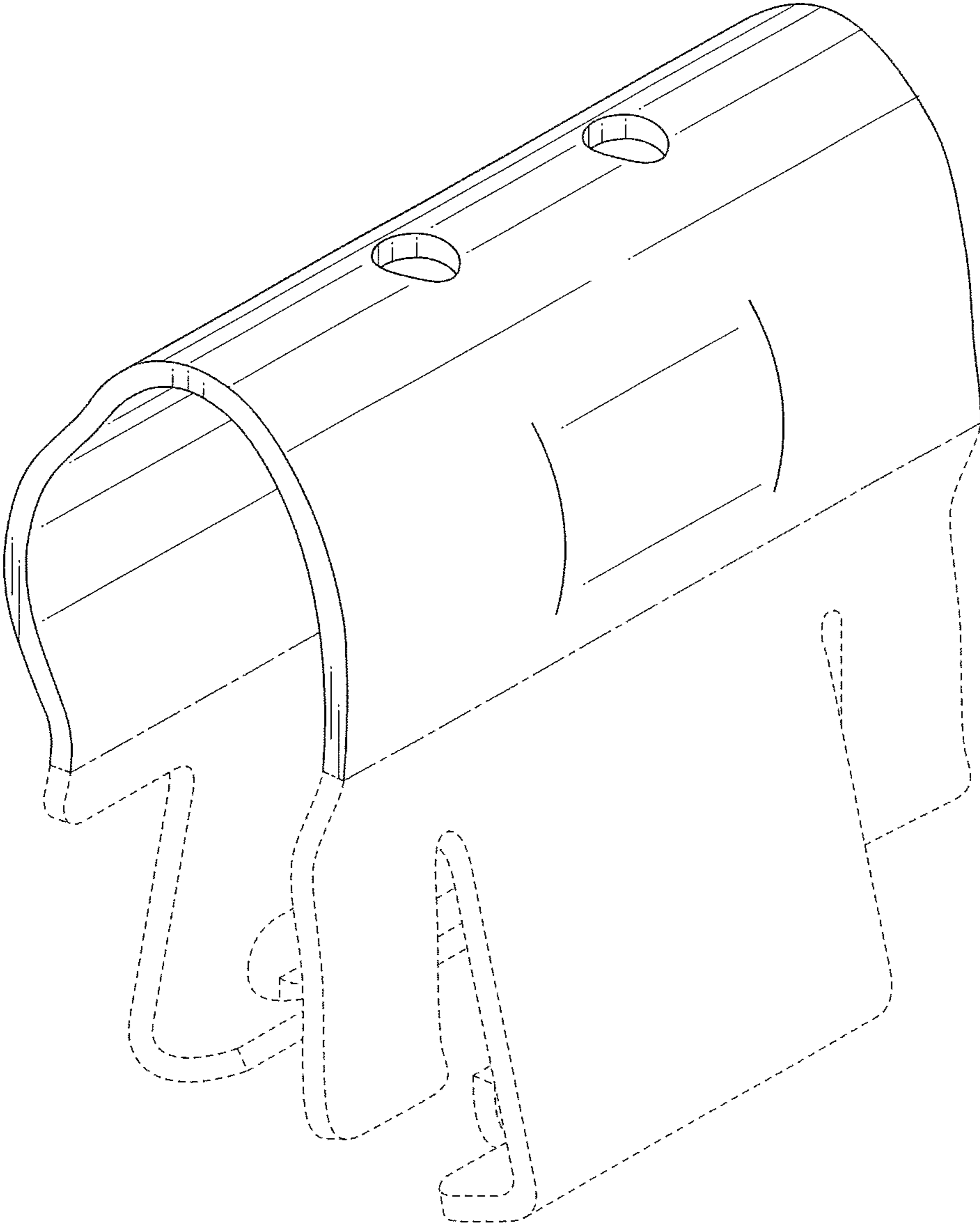


Fig. 2

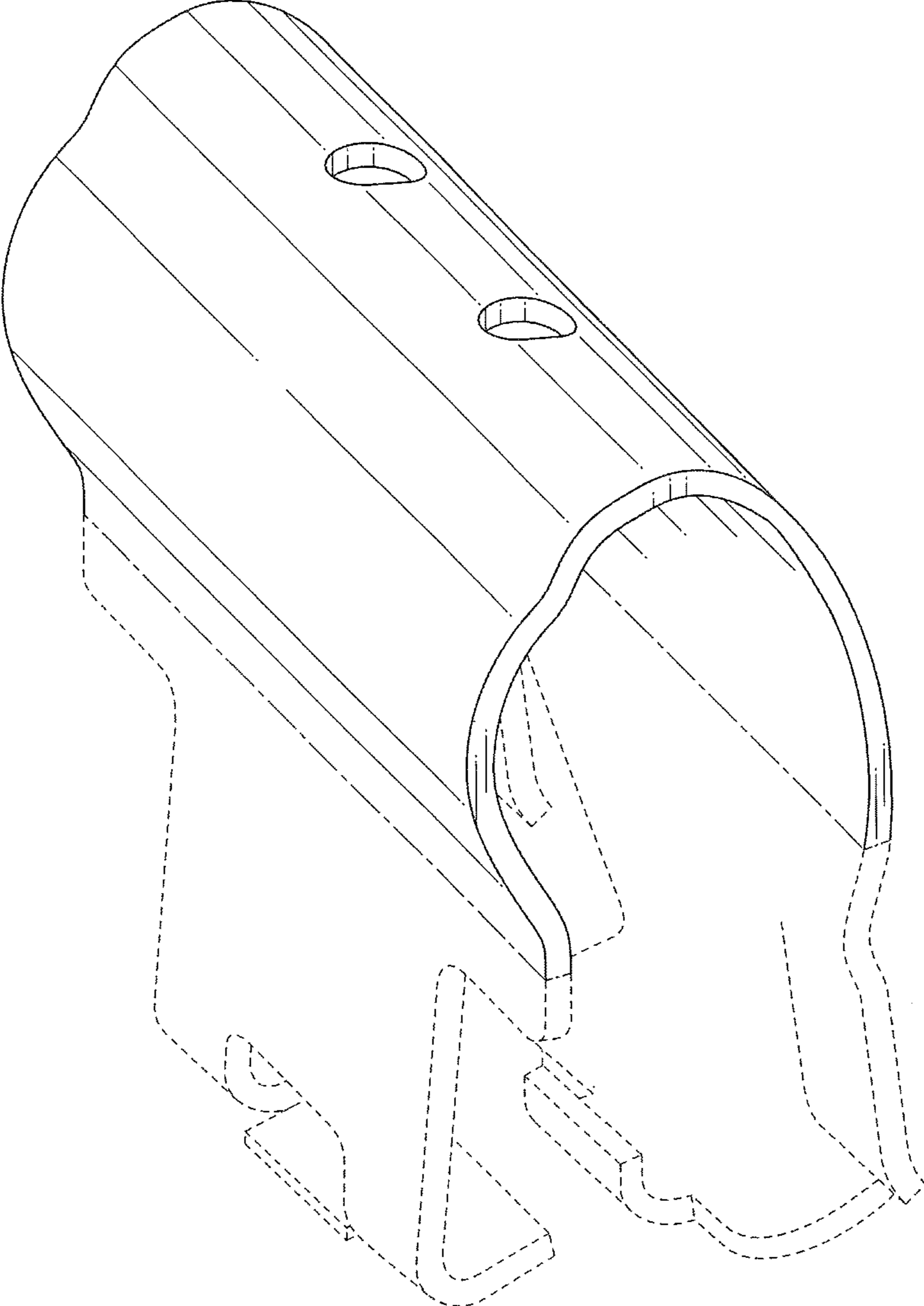


Fig. 3

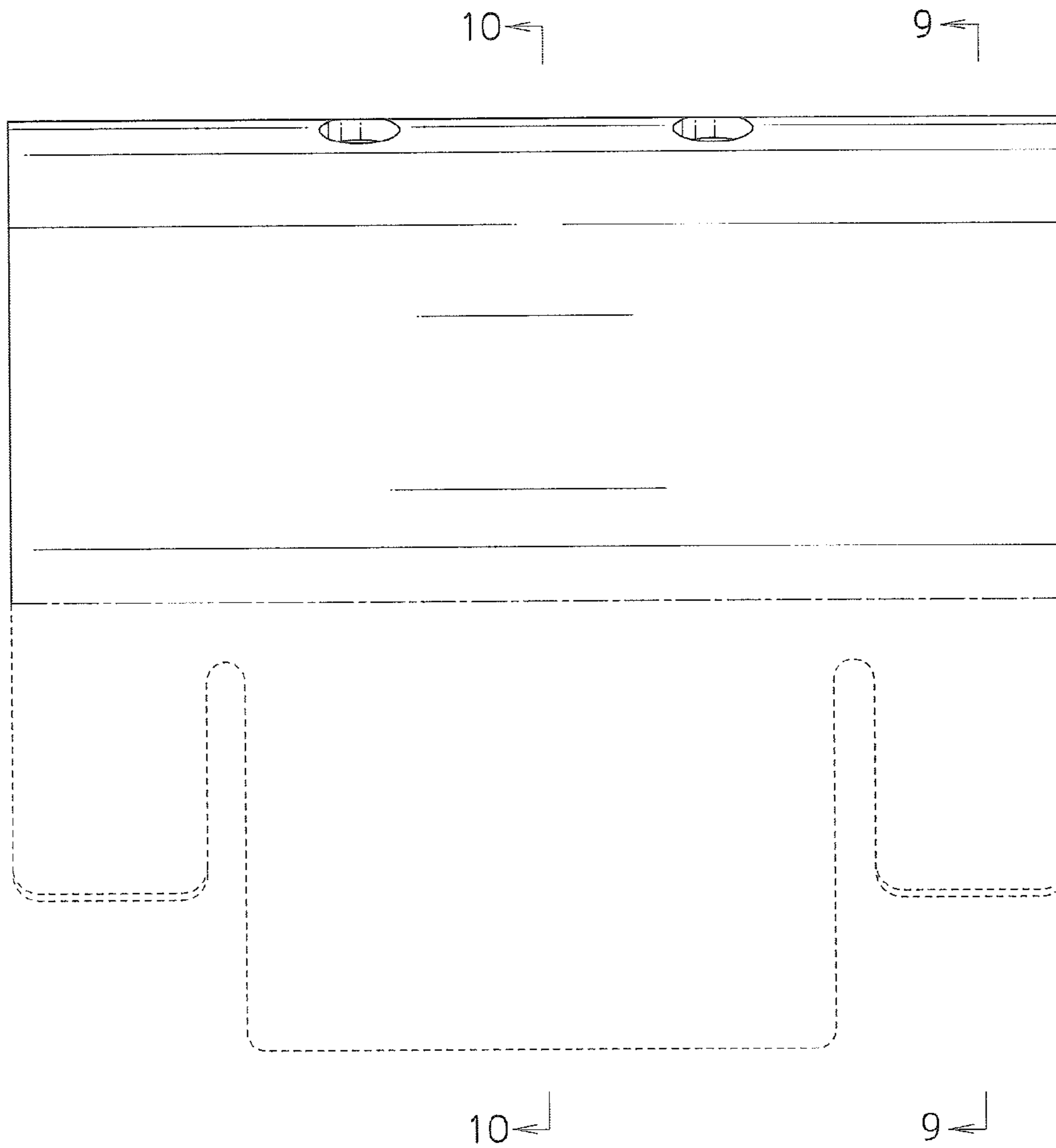


Fig. 4

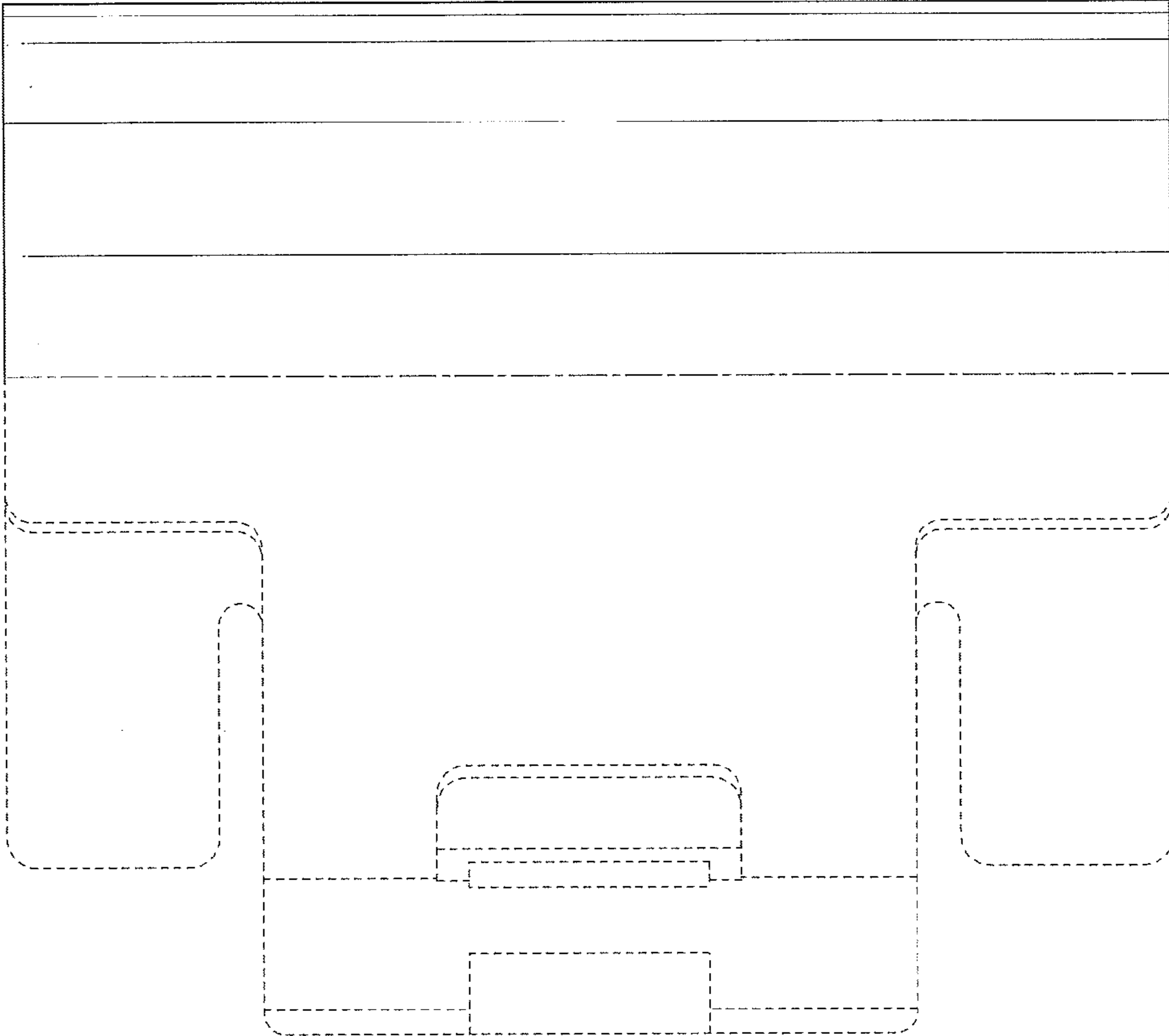


Fig. 5

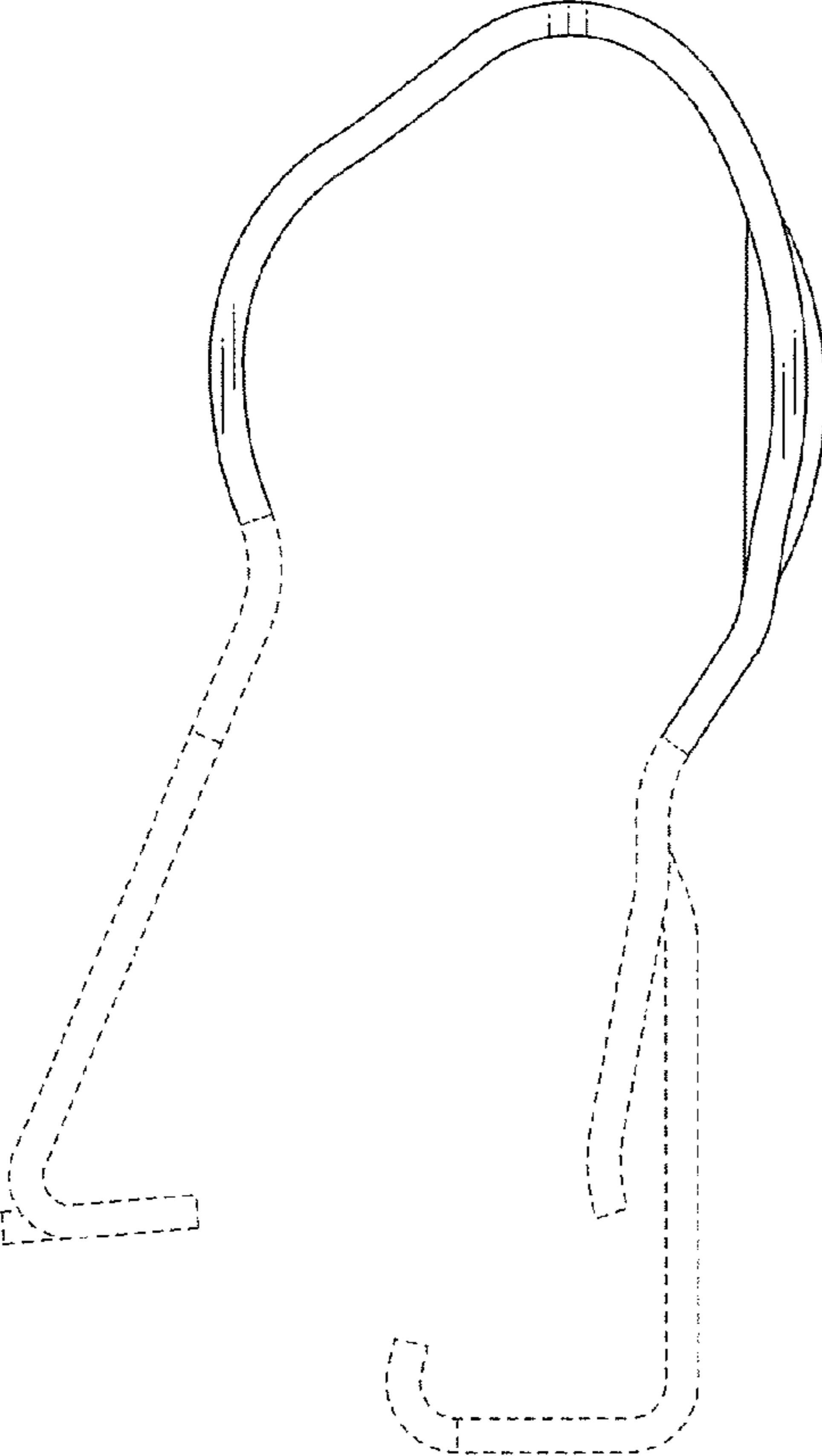


Fig. 6

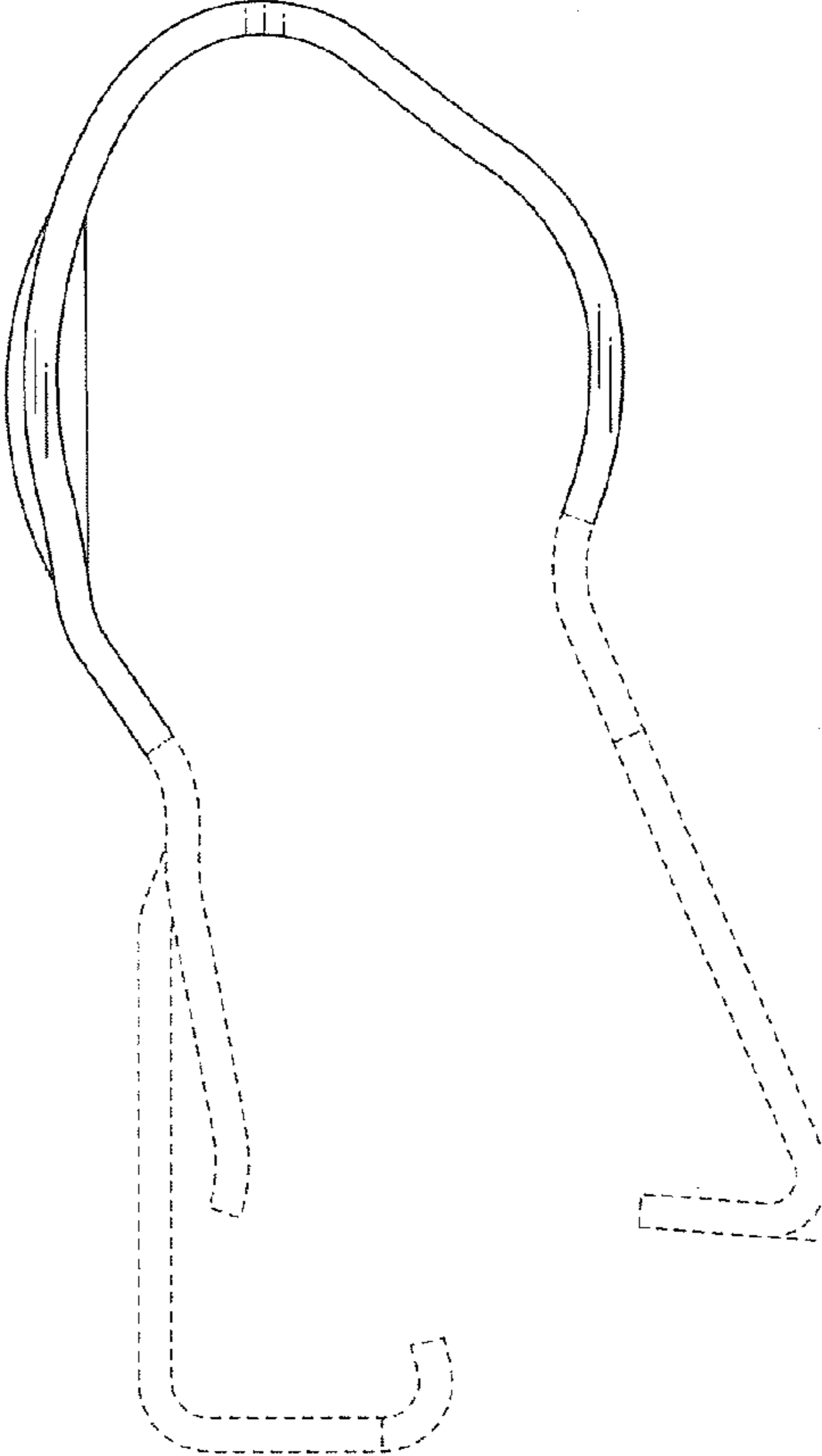


Fig. 7

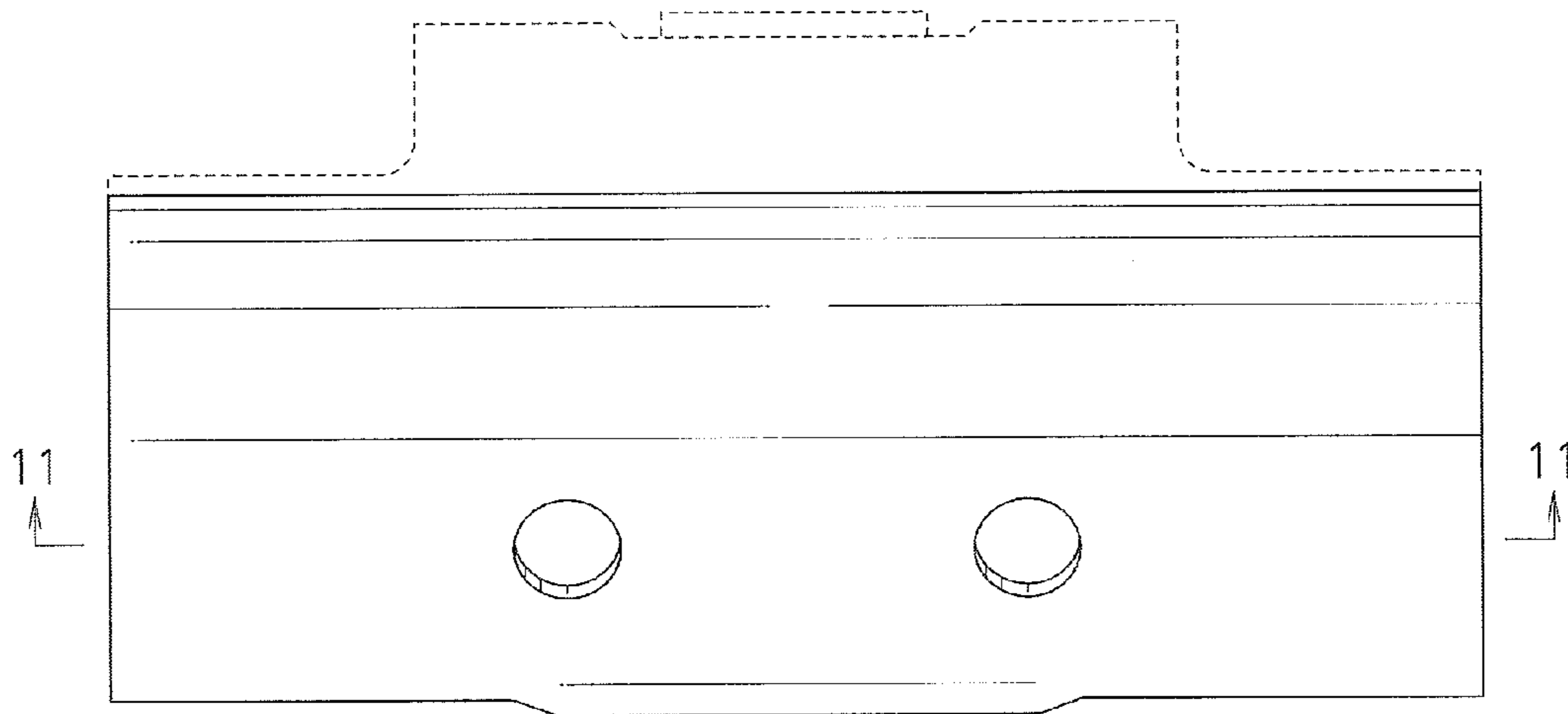


Fig. 8

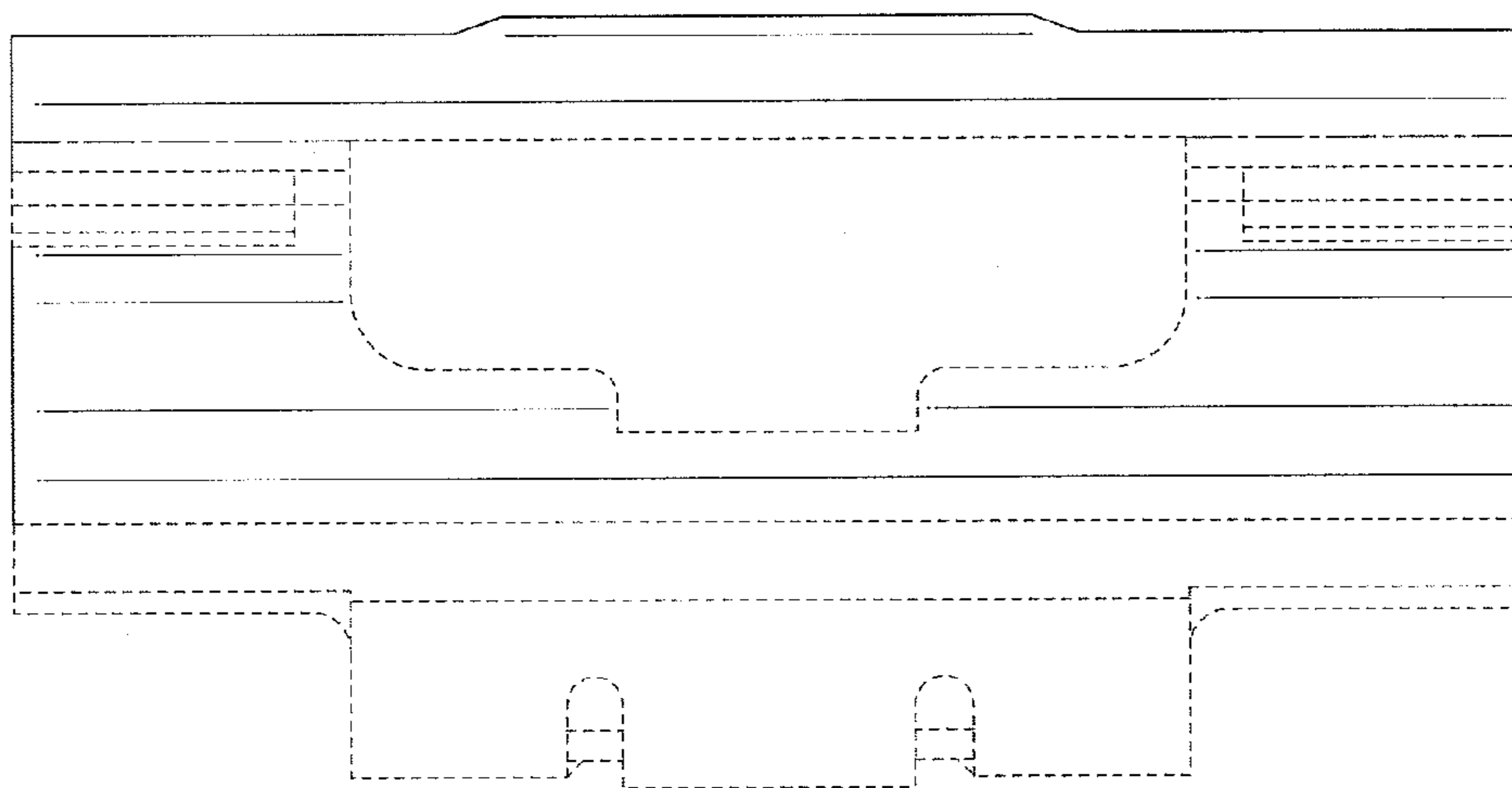


Fig. 9

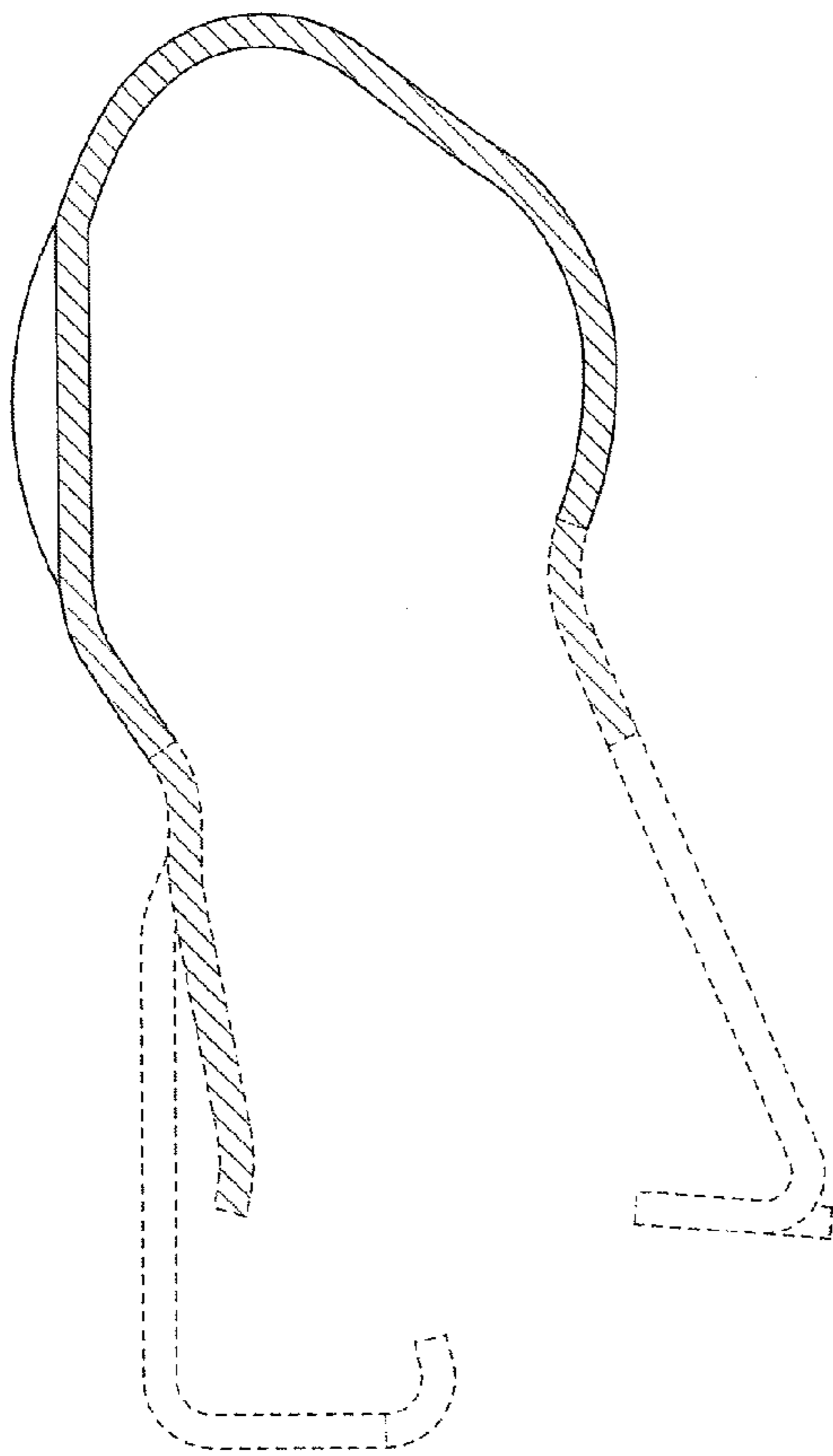


Fig. 10

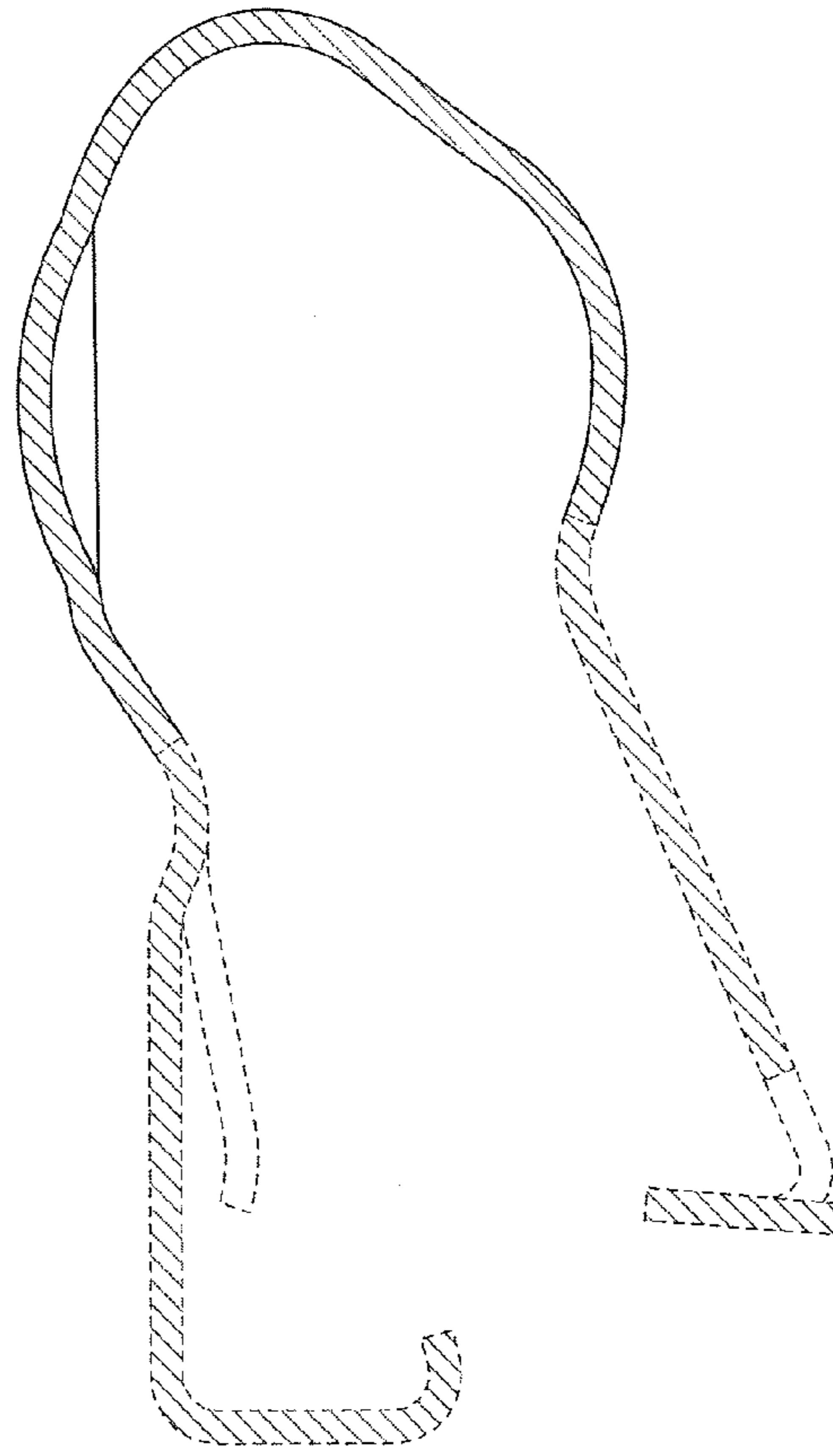


Fig. 11

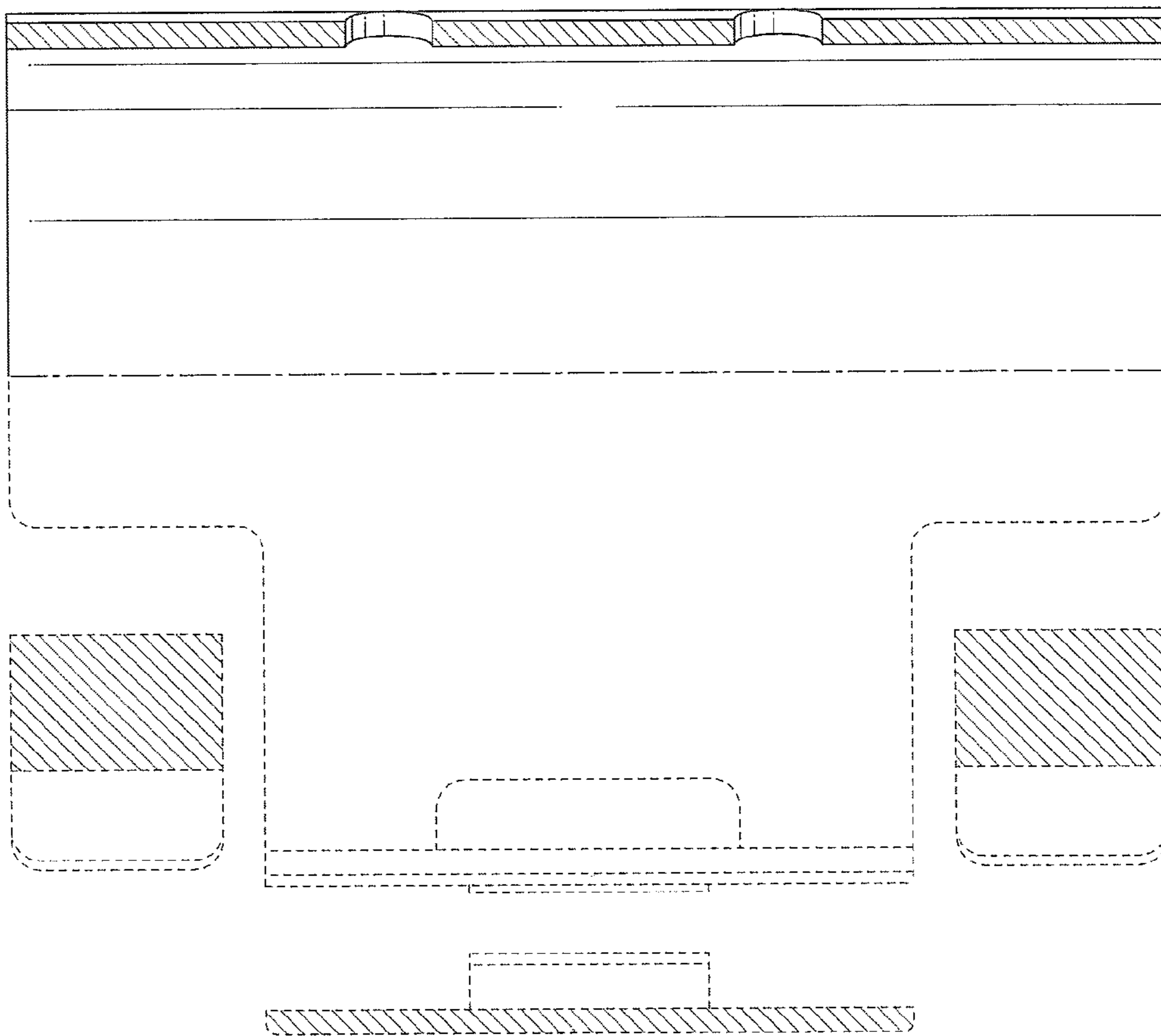


Fig. 12

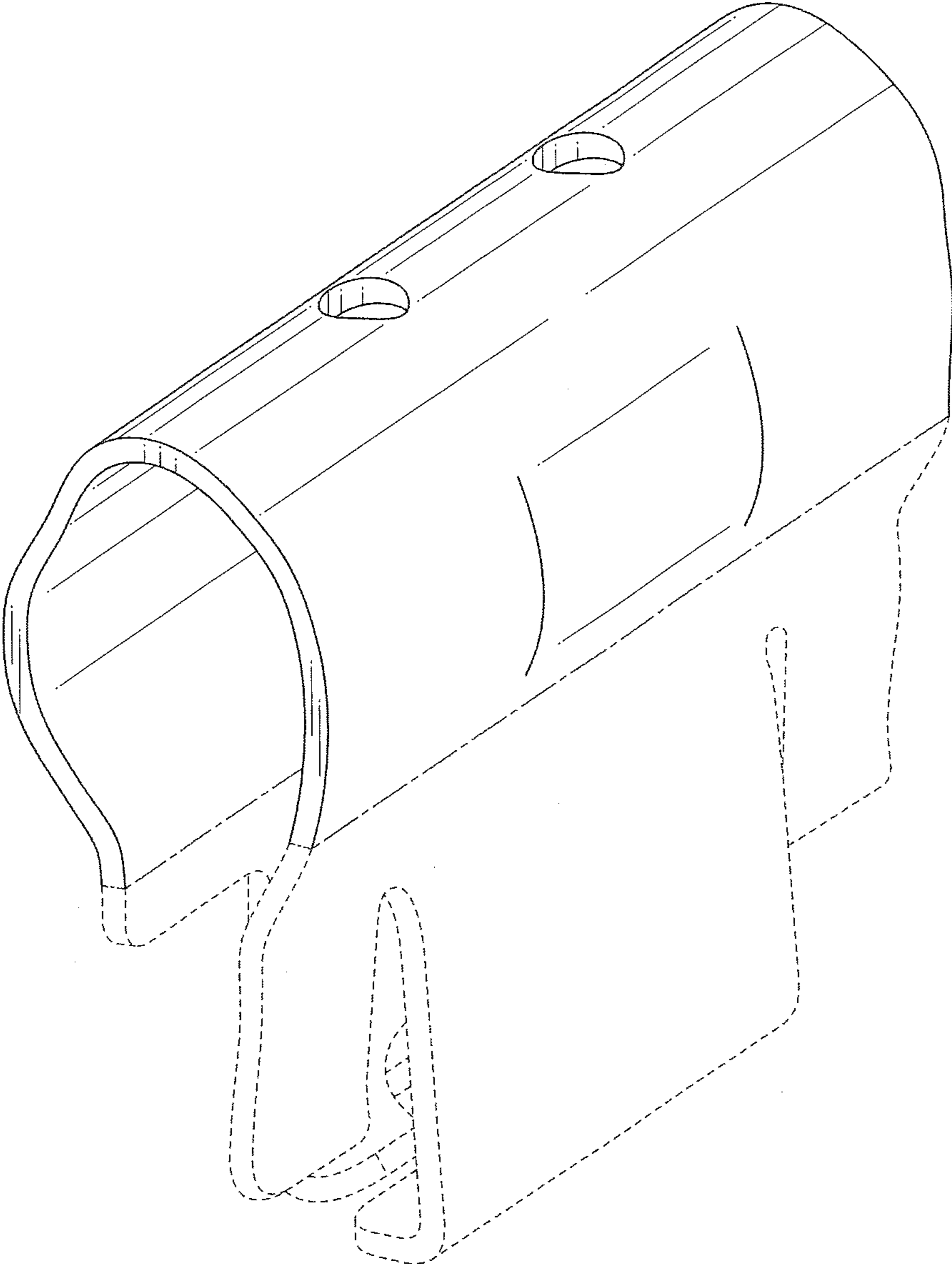


Fig. 13

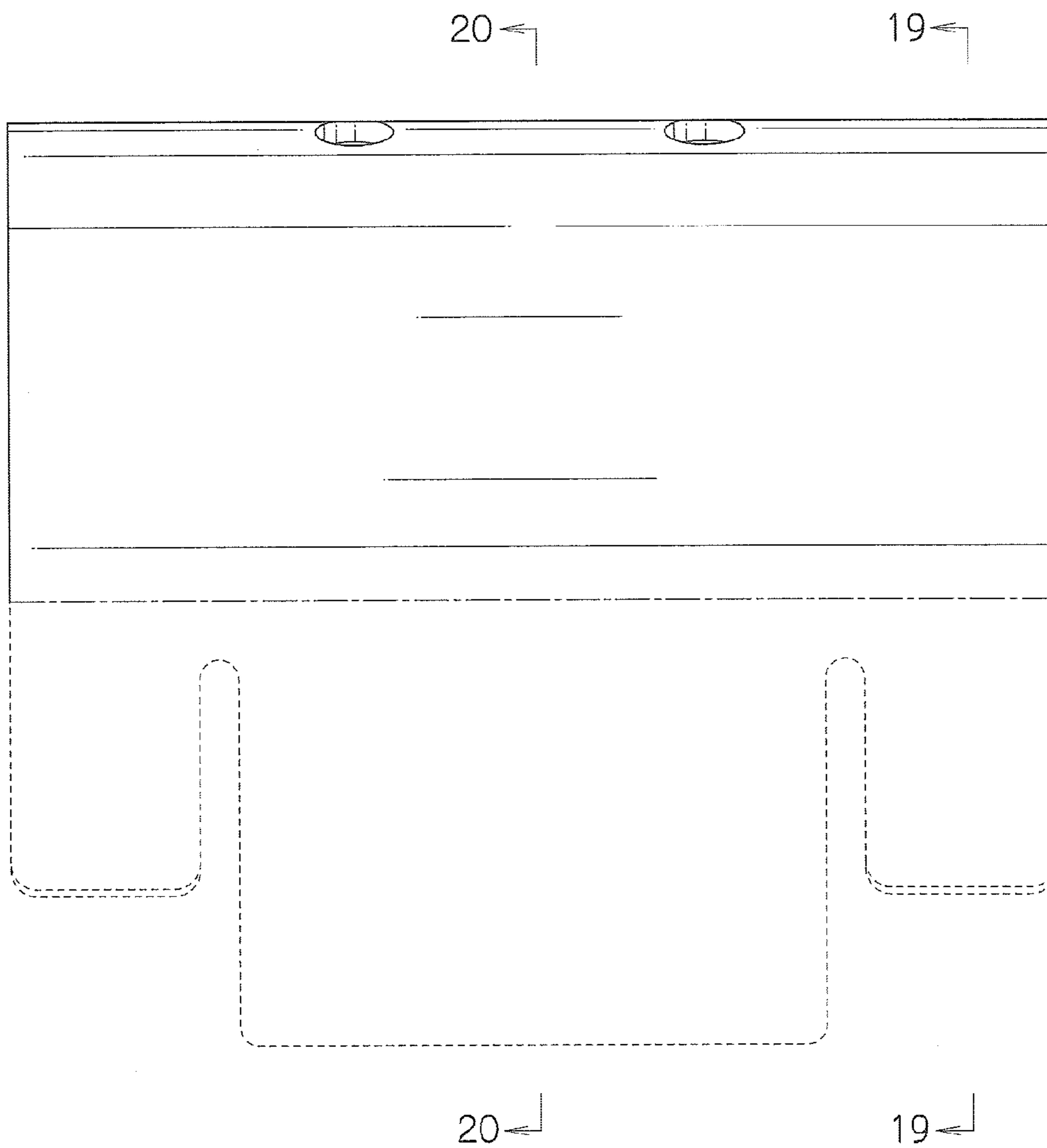


Fig. 14

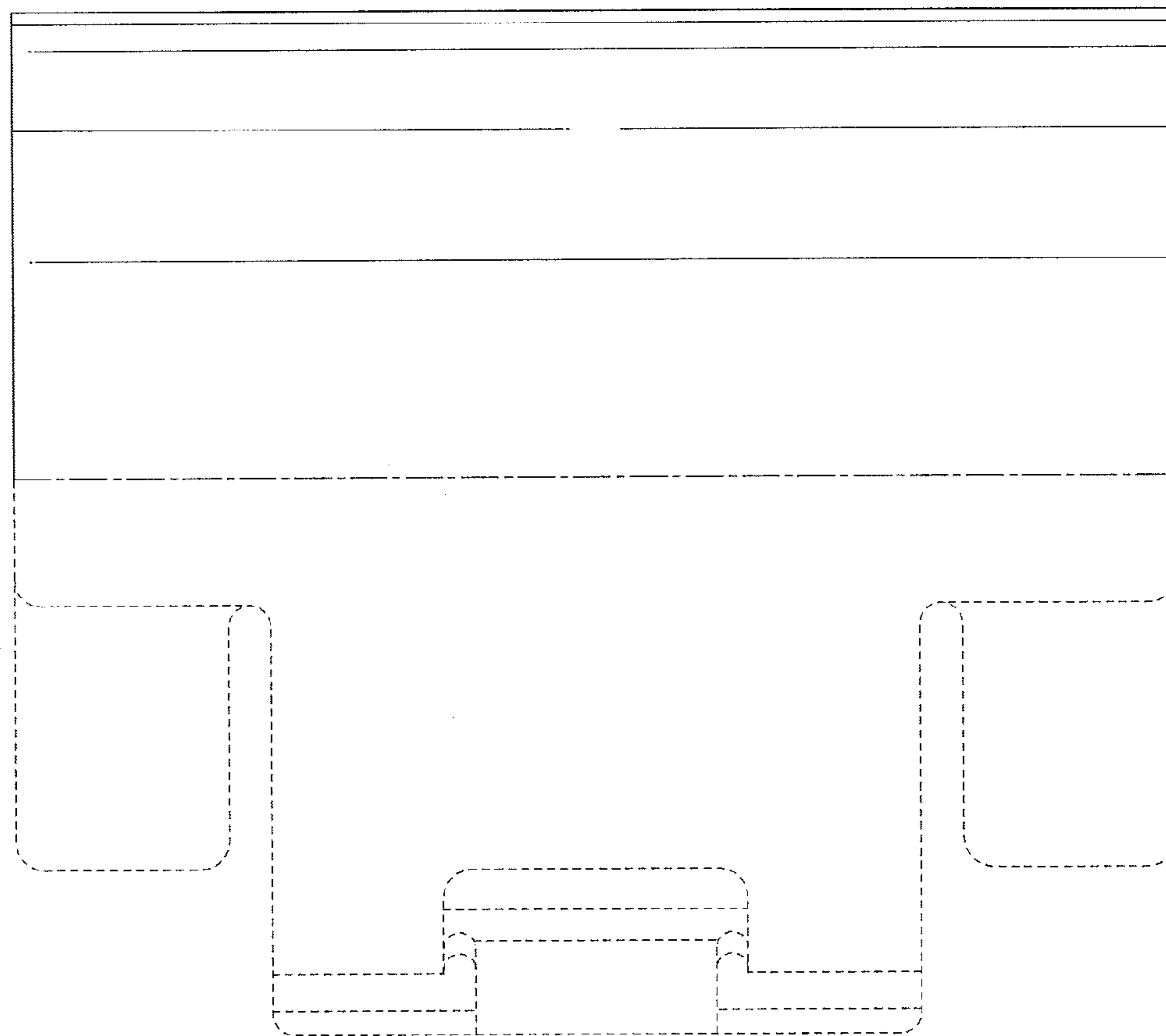


Fig. 15

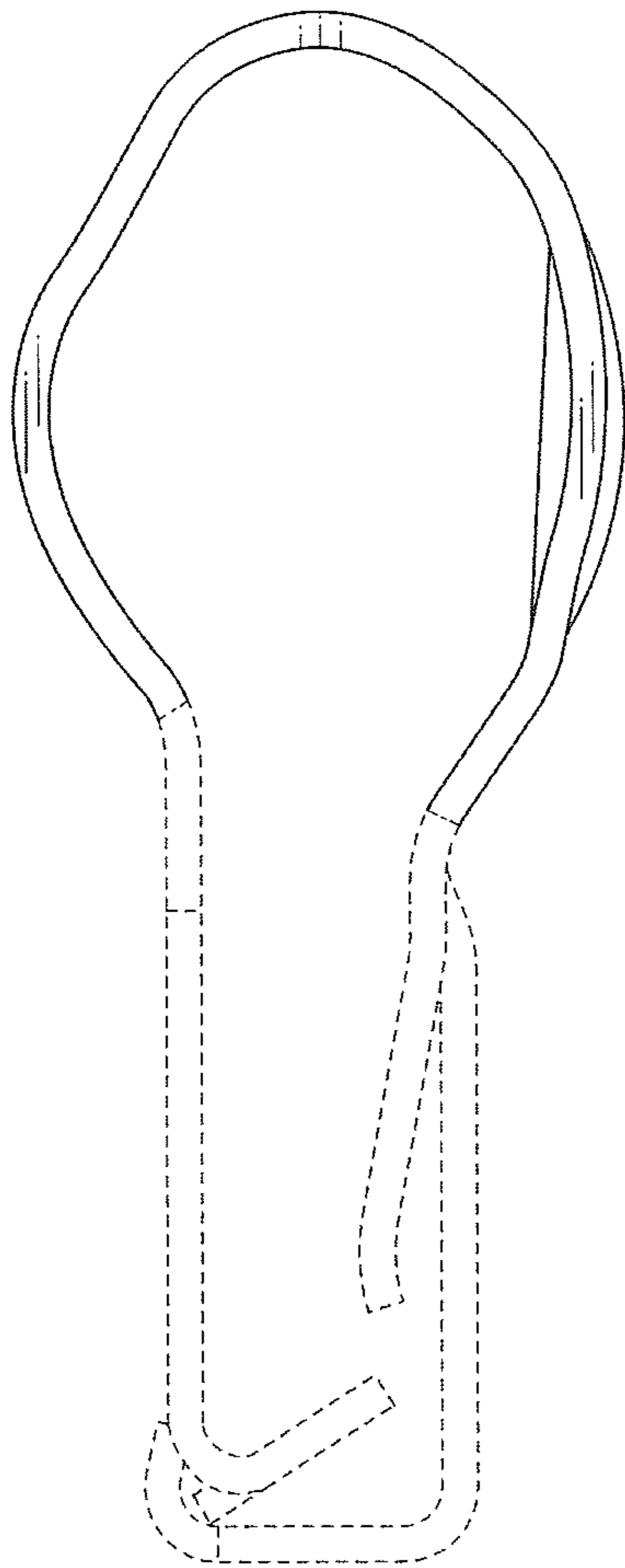


Fig. 16

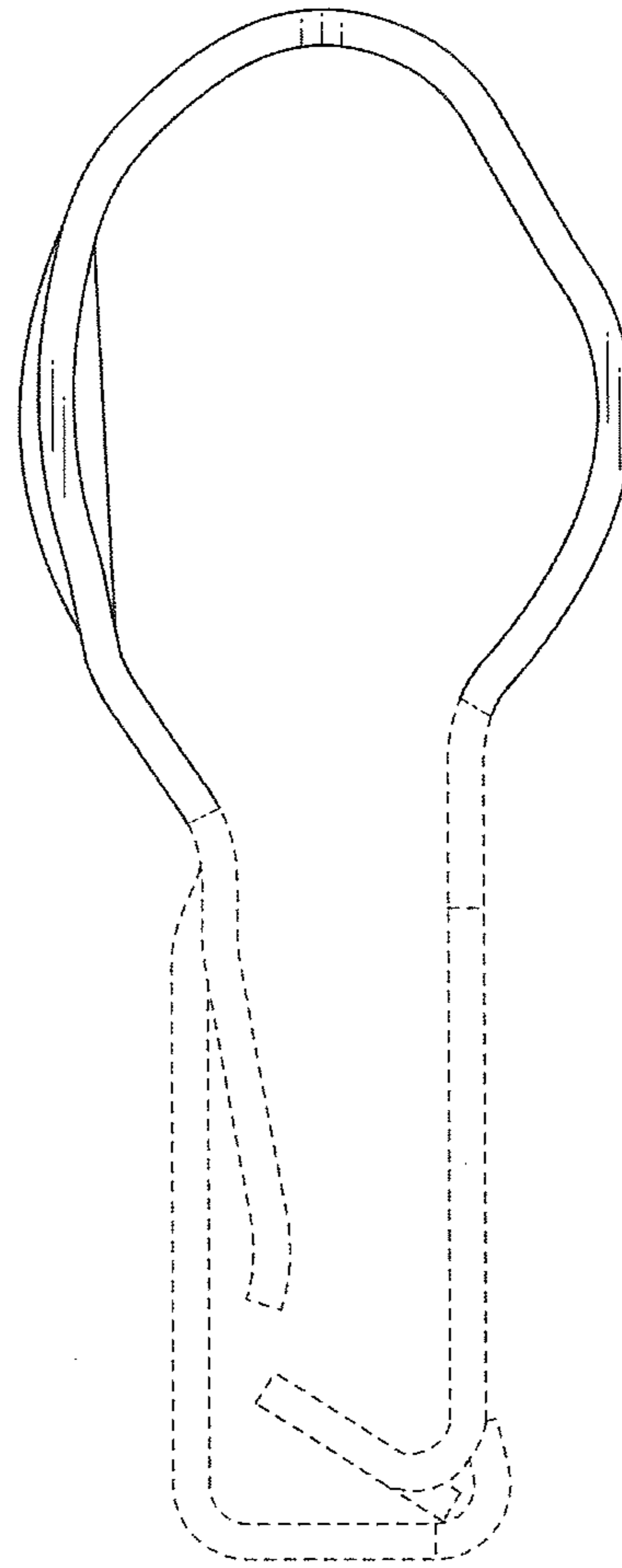


Fig. 17

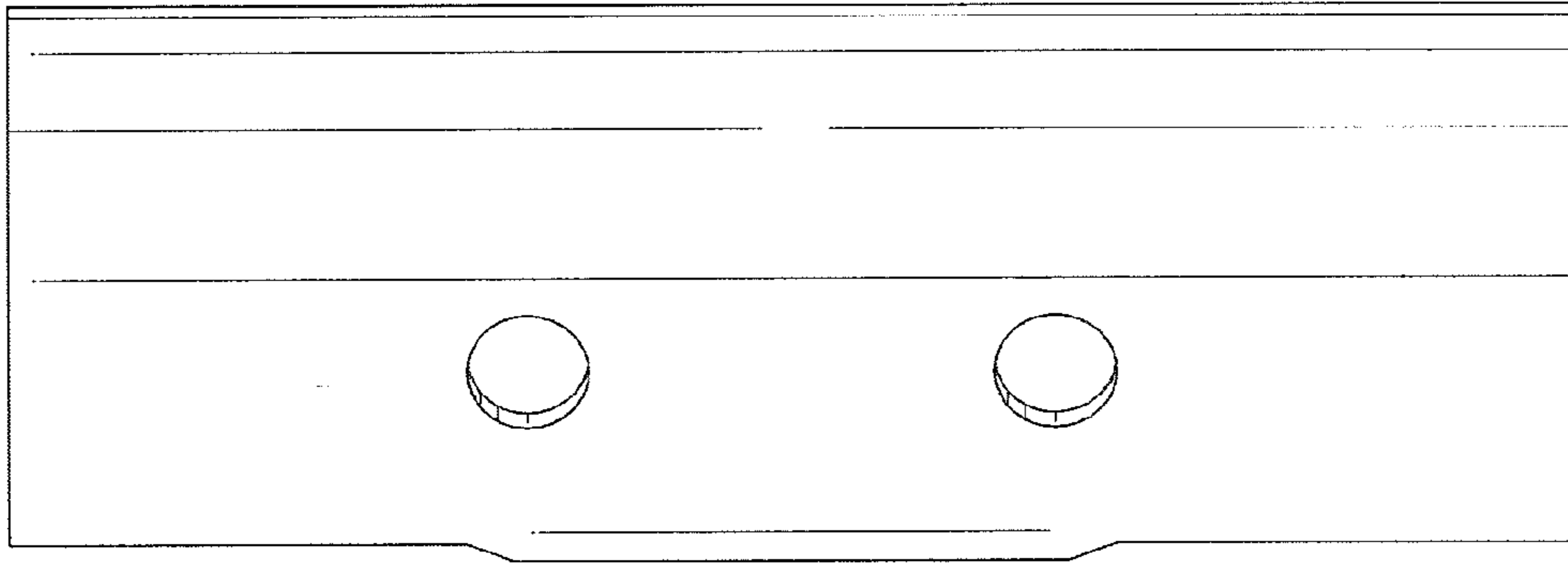


Fig. 18

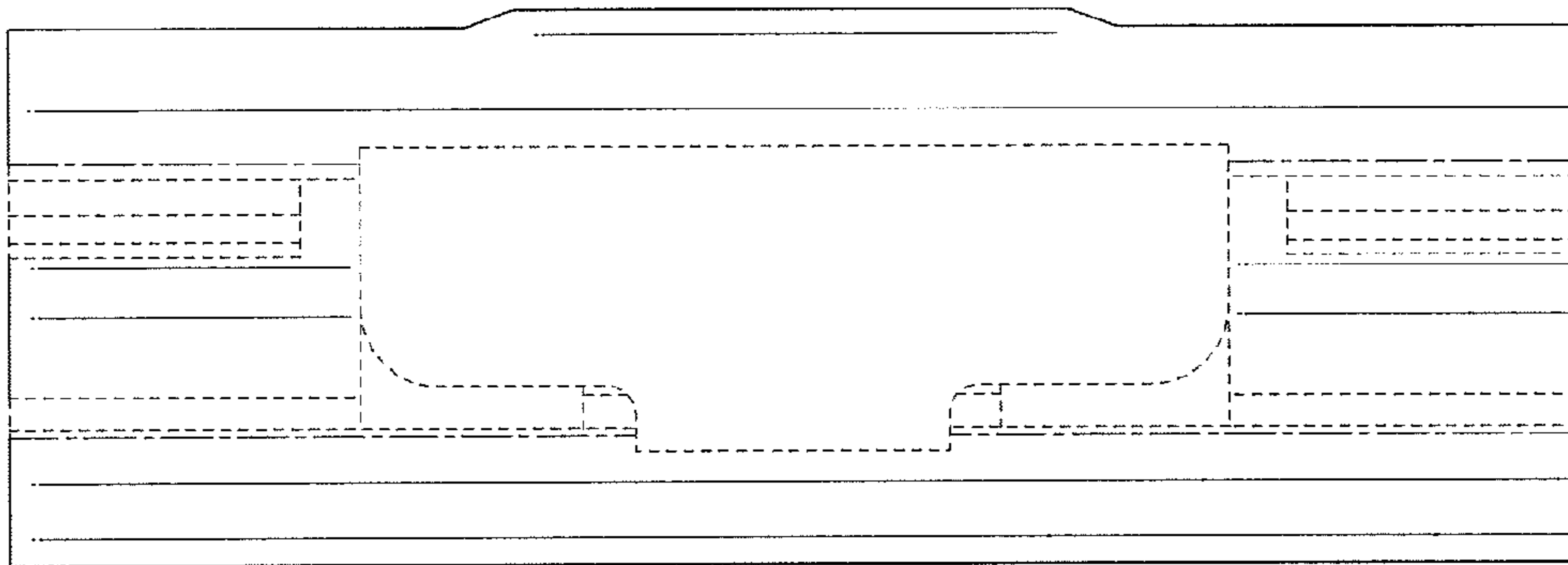


Fig. 19

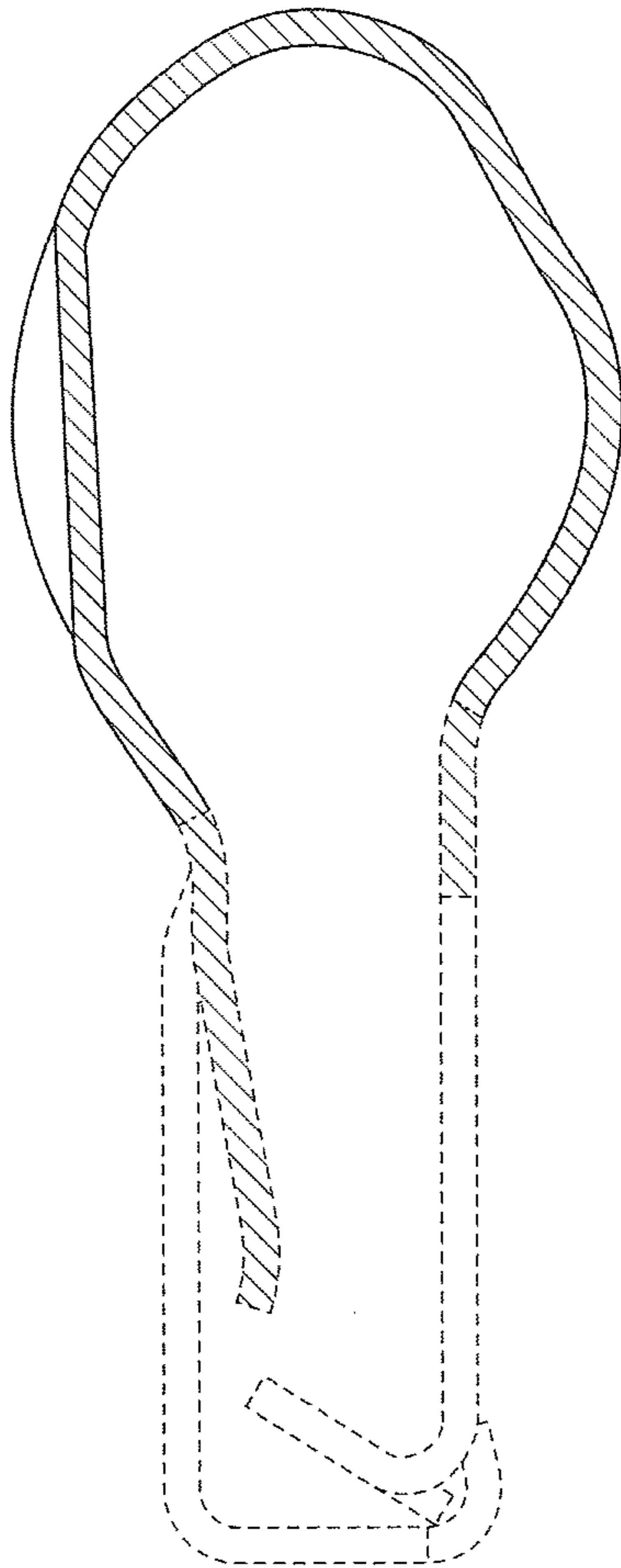


Fig. 20

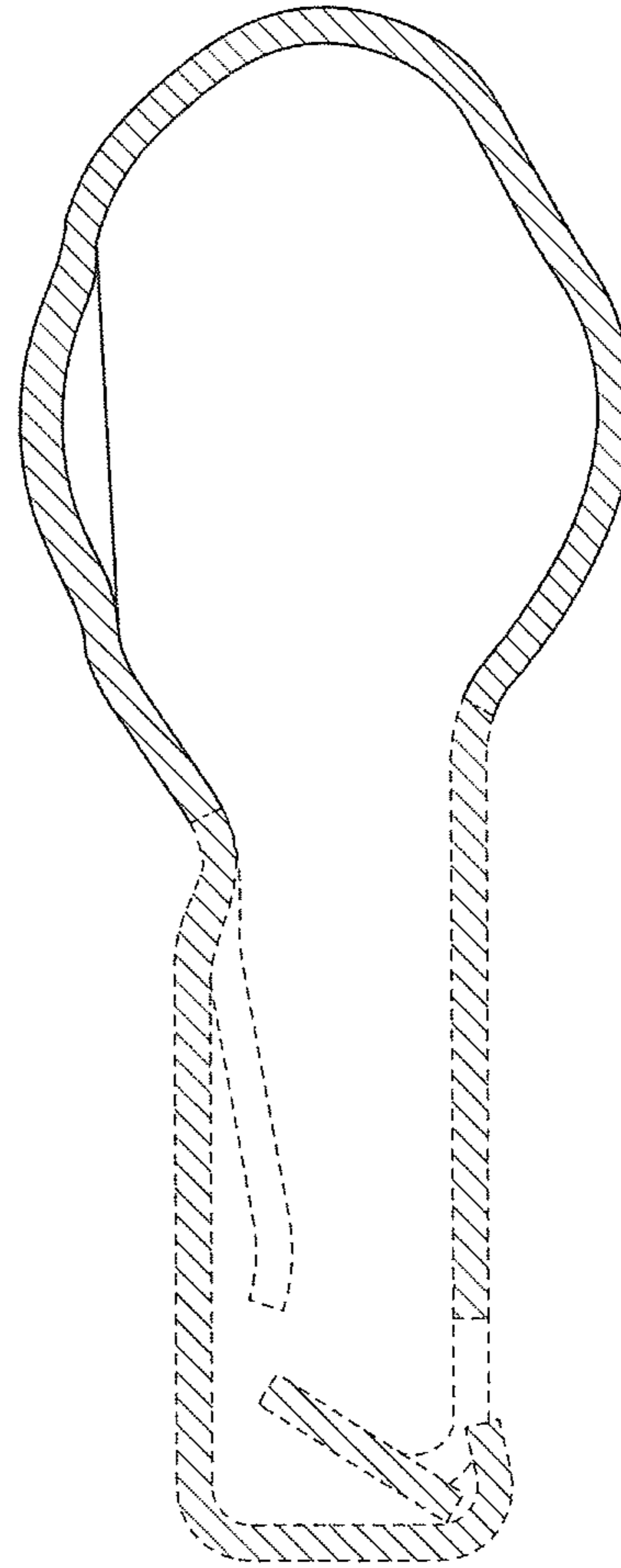


Fig. 21

