

US00D739798S

(12) **United States Design Patent**
O'Donnell et al.

(10) **Patent No.:** **US D739,798 S**

(45) **Date of Patent:** **** Sep. 29, 2015**

(54) **VEHICLE REAR BUMPER**

(71) Applicant: **GM GLOBAL TECHNOLOGY OPERATIONS LLC**, Detroit, MI (US)

(72) Inventors: **Kevin M. O'Donnell**, Beverly Hills, MI (US); **Junglim Huh**, Rochester Hills, MI (US)

(73) Assignee: **GM GLOBAL TECHNOLOGY OPERATIONS LLC**, Detroit, MI (US)

(**) Term: **14 Years**

(21) Appl. No.: **29/475,120**

(22) Filed: **Nov. 29, 2013**

(51) **LOC (10) Cl.** **12-16**

(52) **U.S. Cl.**
USPC **D12/169**

(58) **Field of Classification Search**
USPC D12/169, 163, 167, 181, 86, 170, 171, D12/190, 191, 196, 216, 90, 92, 93, 94; 293/141, 142, 34, 102, 155; 296/180.1
See application file for complete search history.

(56) **References Cited**

U.S. PATENT DOCUMENTS

D491,496 S * 6/2004 Metros et al. D12/169
D497,851 S * 11/2004 Metros et al. D12/169

D501,809 S * 2/2005 Metros et al. D12/169
D512,351 S * 12/2005 Hattori D12/169
D531,556 S * 11/2006 Metros et al. D12/169
D570,249 S * 6/2008 O'Donnell D12/91
D589,407 S * 3/2009 Krugger et al. D12/98
D601,925 S * 10/2009 O'Donnell D12/98
D604,203 S * 11/2009 O'Donnell D12/98
D623,569 S * 9/2010 Cogswell D12/169
D657,718 S * 4/2012 Zipfel et al. D12/98
D700,871 S * 3/2014 O'Donnell et al. D12/98

* cited by examiner

Primary Examiner — Cathron Brooks

Assistant Examiner — Clese Moore, Jr.

(74) *Attorney, Agent, or Firm* — Mickki D. Murray; Parks Wood LLC

(57) **CLAIM**

The ornamental design for a vehicle rear bumper, as shown and described.

DESCRIPTION

FIG. 1 is perspective view of a vehicle rear bumper showing the new design;

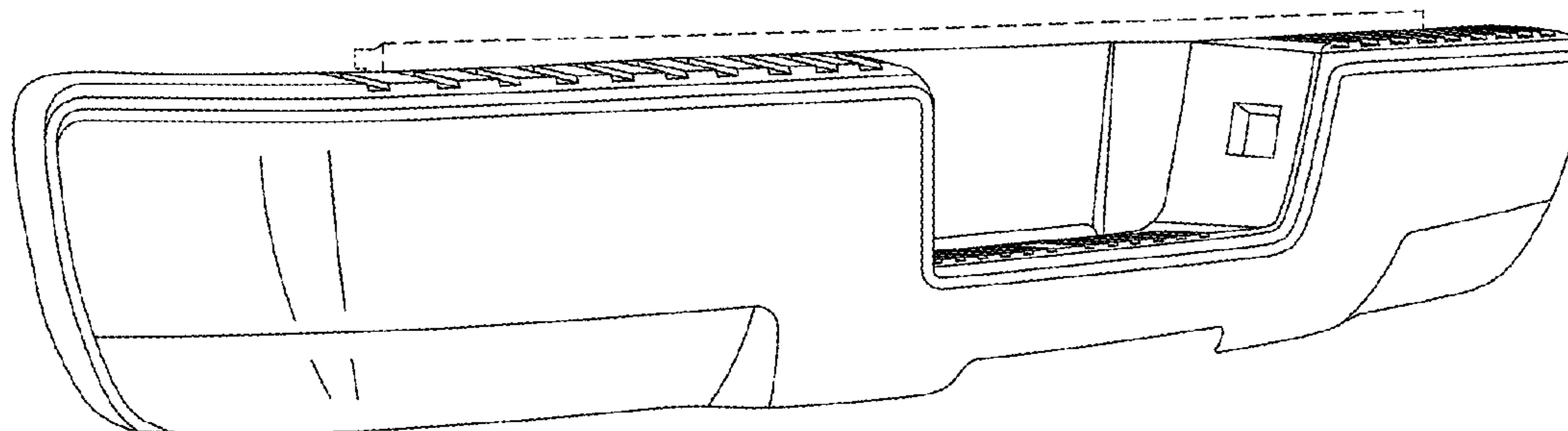
FIG. 2 is a side view, thereof;

FIG. 3 is a top plan view, thereof; and,

FIG. 4 is a front view, thereof.

The features shown in broken lines illustrate environmental structure that forms no part of the claimed design.

1 Claim, 1 Drawing Sheet



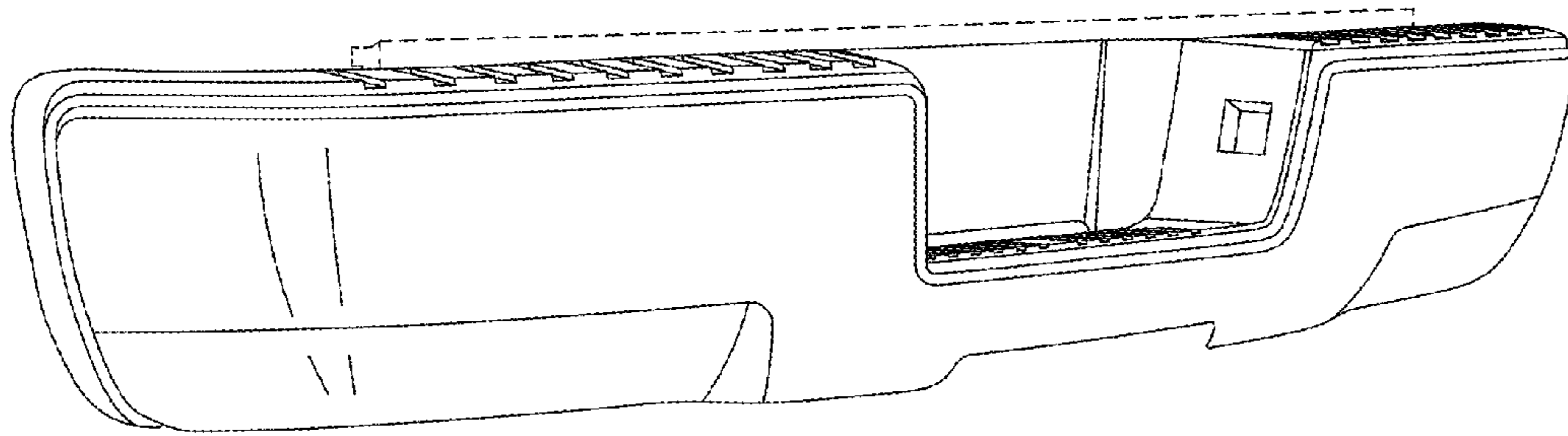


Fig-1

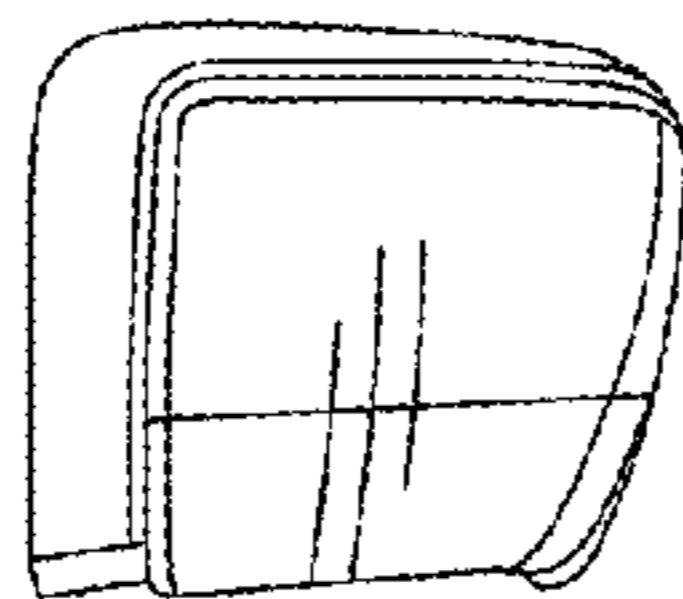


Fig-2

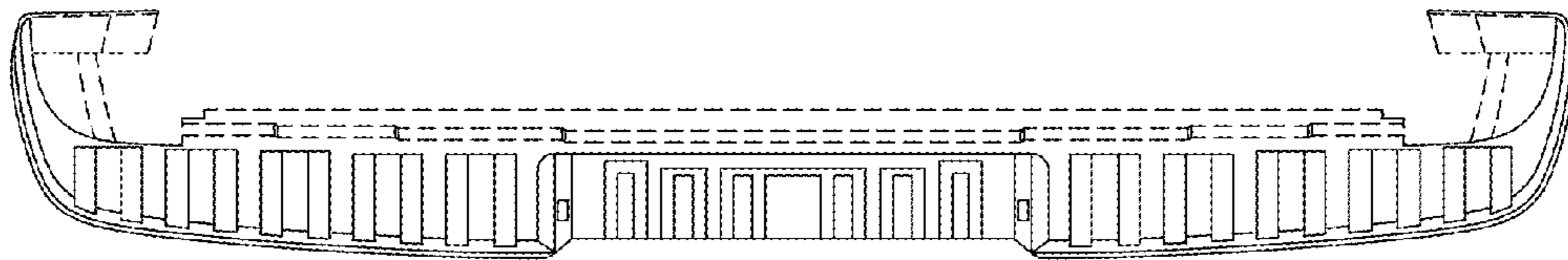


Fig-3

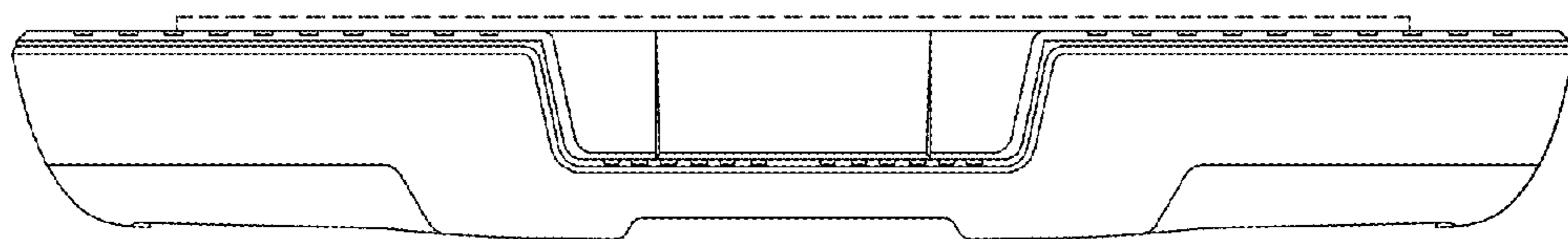


Fig-4