



US00D739797S

(12) **United States Design Patent**
Kadiadze

(10) **Patent No.:** **US D739,797 S**

(45) **Date of Patent:** **** Sep. 29, 2015**

(54) **AUTOMOBILE GRILLE**

(71) Applicant: **Desmond Kadiadze**, Alexandria, VA
(US)

(72) Inventor: **Desmond Kadiadze**, Alexandria, VA
(US)

(**) Term: **14 Years**

(21) Appl. No.: **29/498,370**

(22) Filed: **Aug. 2, 2014**

(51) **LOC (10) Cl.** **12-16**

(52) **U.S. Cl.**
USPC **D12/163**

(58) **Field of Classification Search**
USPC D12/163, 196, 86, 90-92, 171, 169,
D12/216, 197, 162, 83; 180/68.1, 68.6;
293/193.11

CPC B62D 25/08; B62B 9/16; B60K 11/08;
B60R 19/52

See application file for complete search history.

(56) **References Cited**

U.S. PATENT DOCUMENTS

D75,935 S *	7/1928	Stant	D12/197
D491,117 S *	6/2004	Hayashi	D12/163
D569,772 S *	5/2008	Saridakis et al.	D12/163
D613,210 S *	4/2010	Wu	D12/163
D613,211 S *	4/2010	Wu	D12/163

D613,212 S *	4/2010	Wu	D12/163
D640,176 S *	6/2011	Hodges	D12/163
D649,918 S *	12/2011	Hodges	D12/163
D656,869 S *	4/2012	Fetherston et al.	D12/163
D662,446 S *	6/2012	Hodges	D12/163
D664,899 S *	8/2012	Platto et al.	D12/163
D670,213 S *	11/2012	Koehl et al.	D12/163
D708,993 S *	7/2014	Mays et al.	D12/163
D712,316 S *	9/2014	O'Donnell et al.	D12/163
D712,320 S *	9/2014	Mays et al.	D12/163
D712,321 S *	9/2014	Mays et al.	D12/163

* cited by examiner

Primary Examiner — Melody N. Brown

(57) **CLAIM**

The ornamental design for an automobile grille, as shown and described.

DESCRIPTION

FIG. 1 is a front perspective of an automobile grille showing my new design;

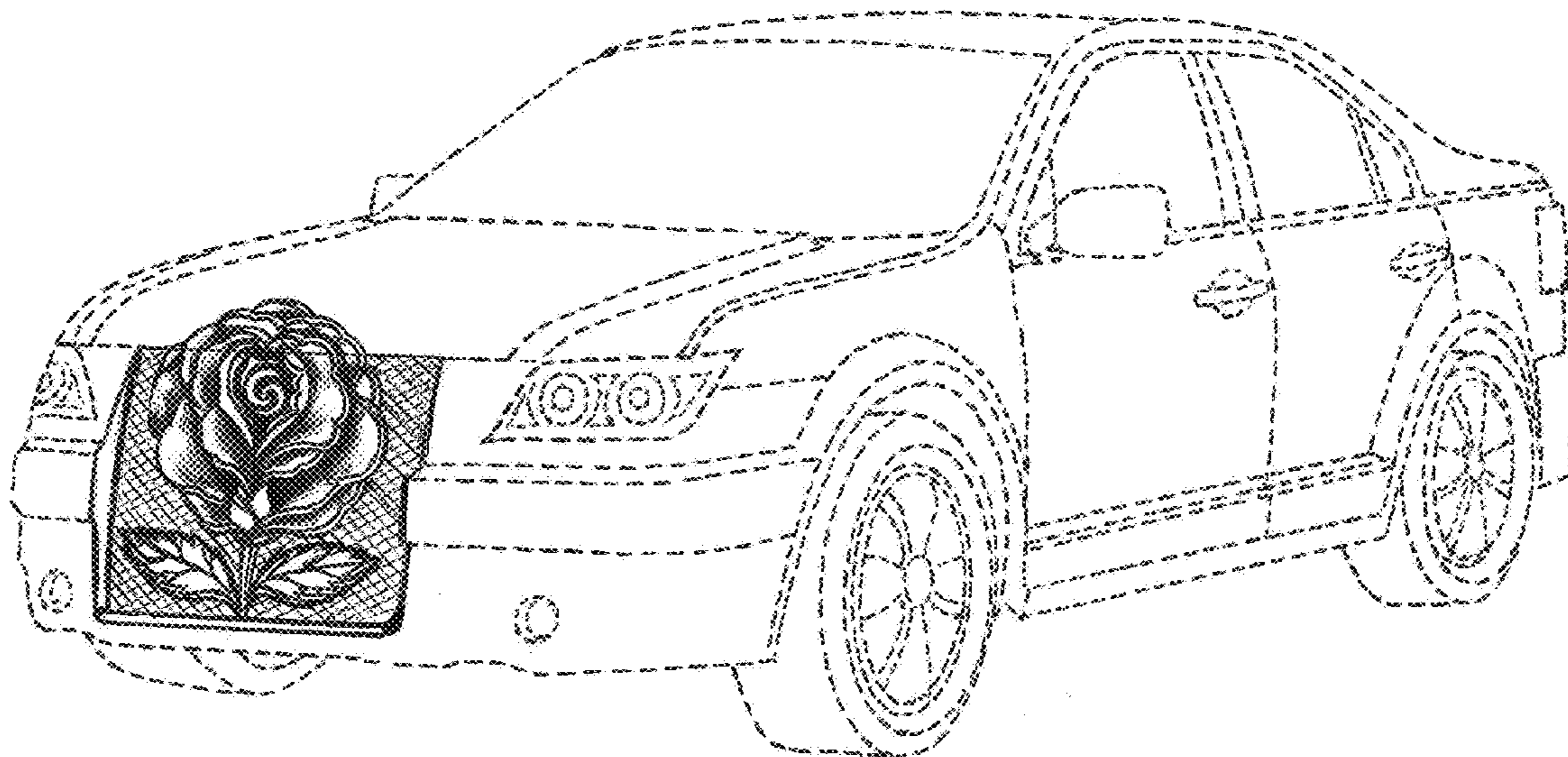
FIG. 2 is a front perspective view thereof;

FIG. 3 is a right side elevational view thereof; and,

FIG. 4 is a left side elevational view thereof.

The portions of the vehicle shown in broken lines throughout the drawing views are for illustrative purposes only and form no part of the claimed design.

1 Claim, 4 Drawing Sheets



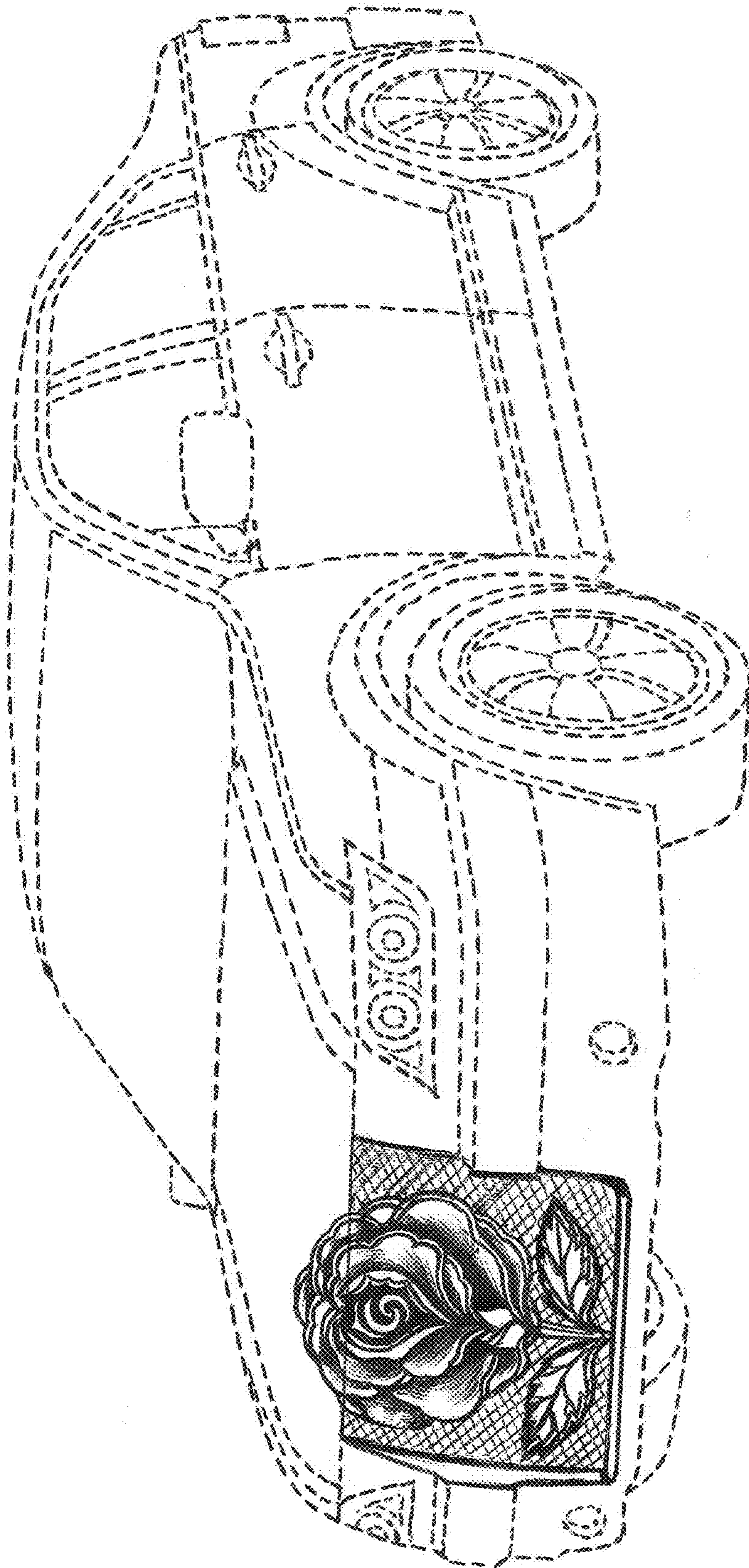


FIG. 1

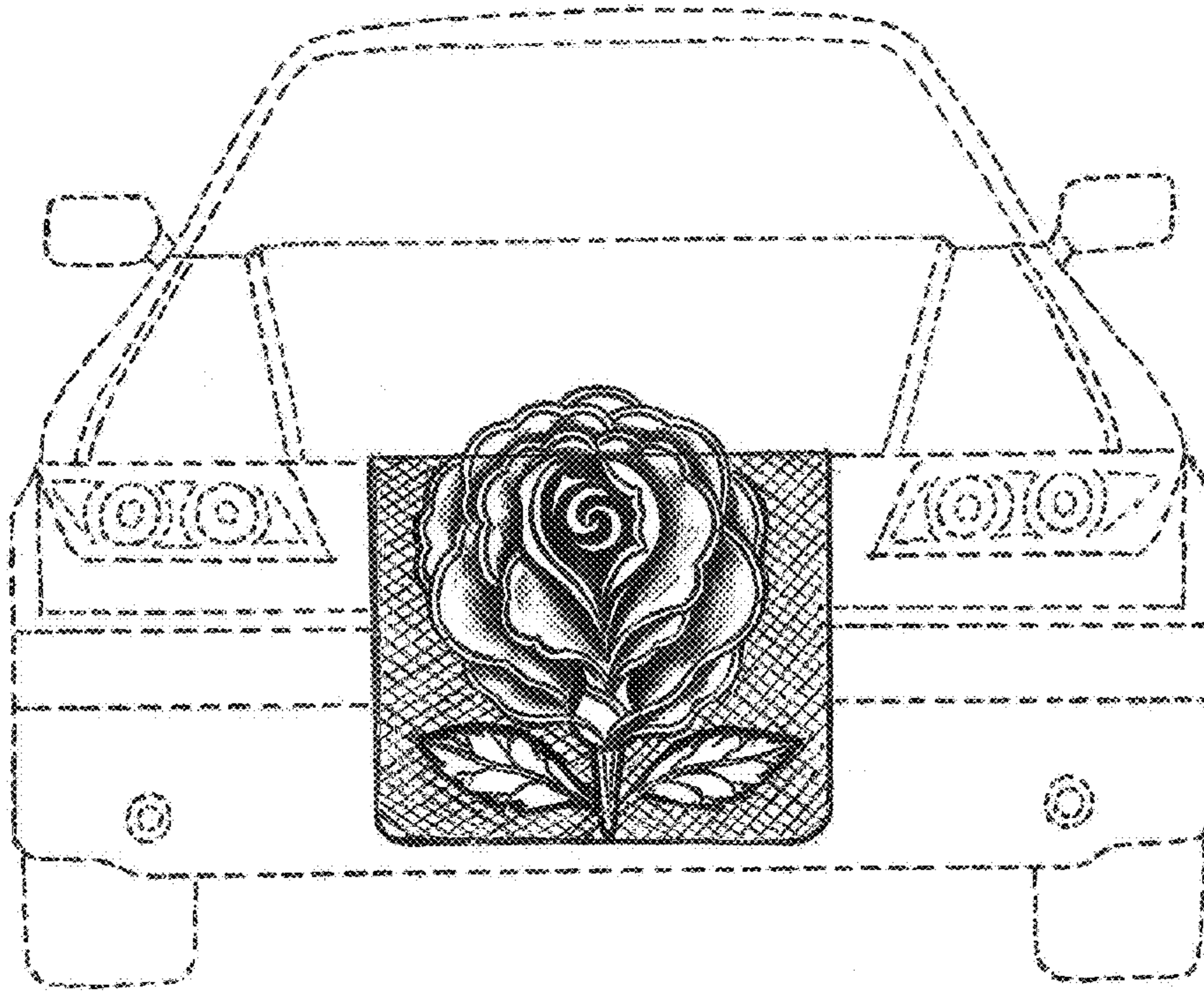


FIG. 2

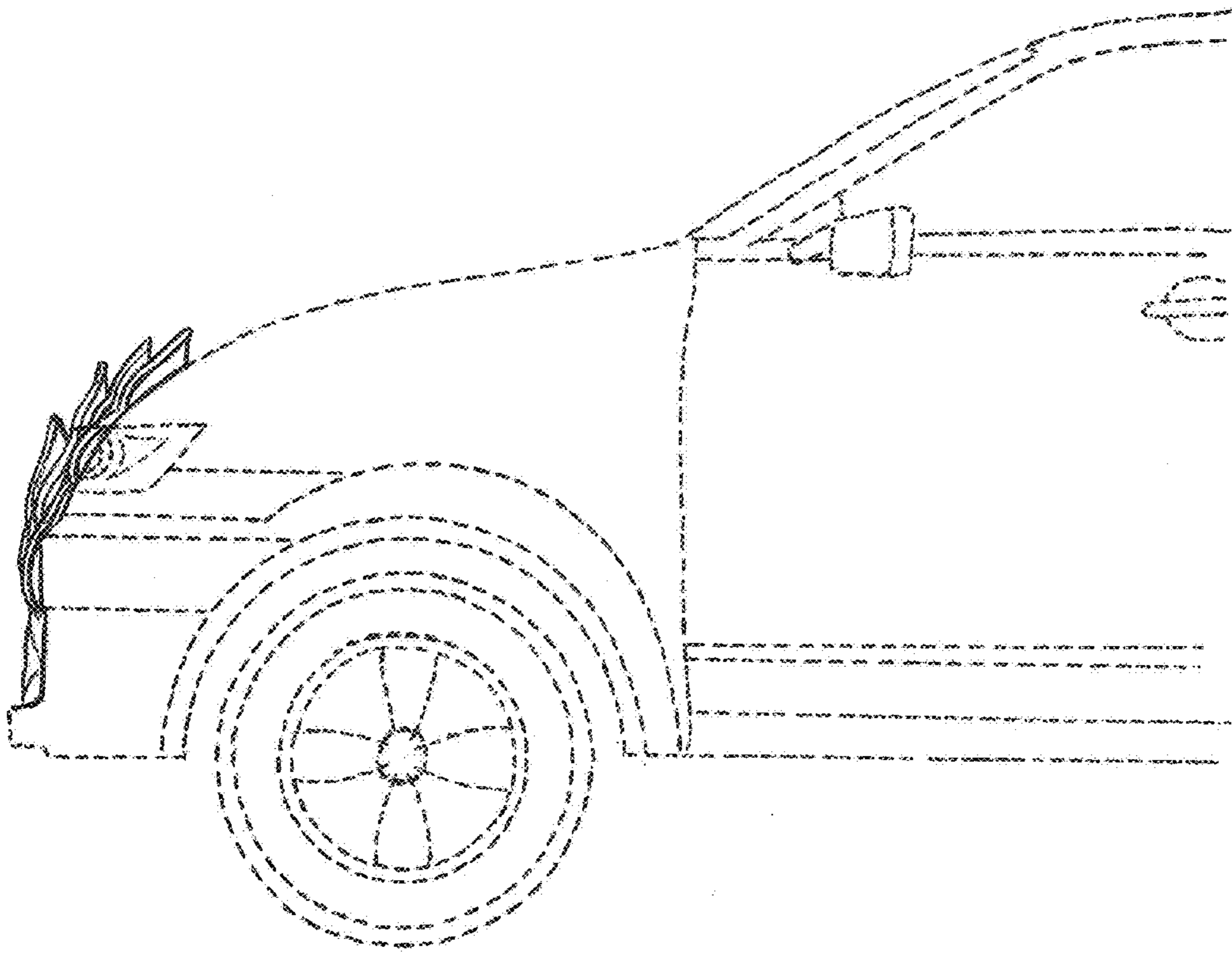


FIG. 3

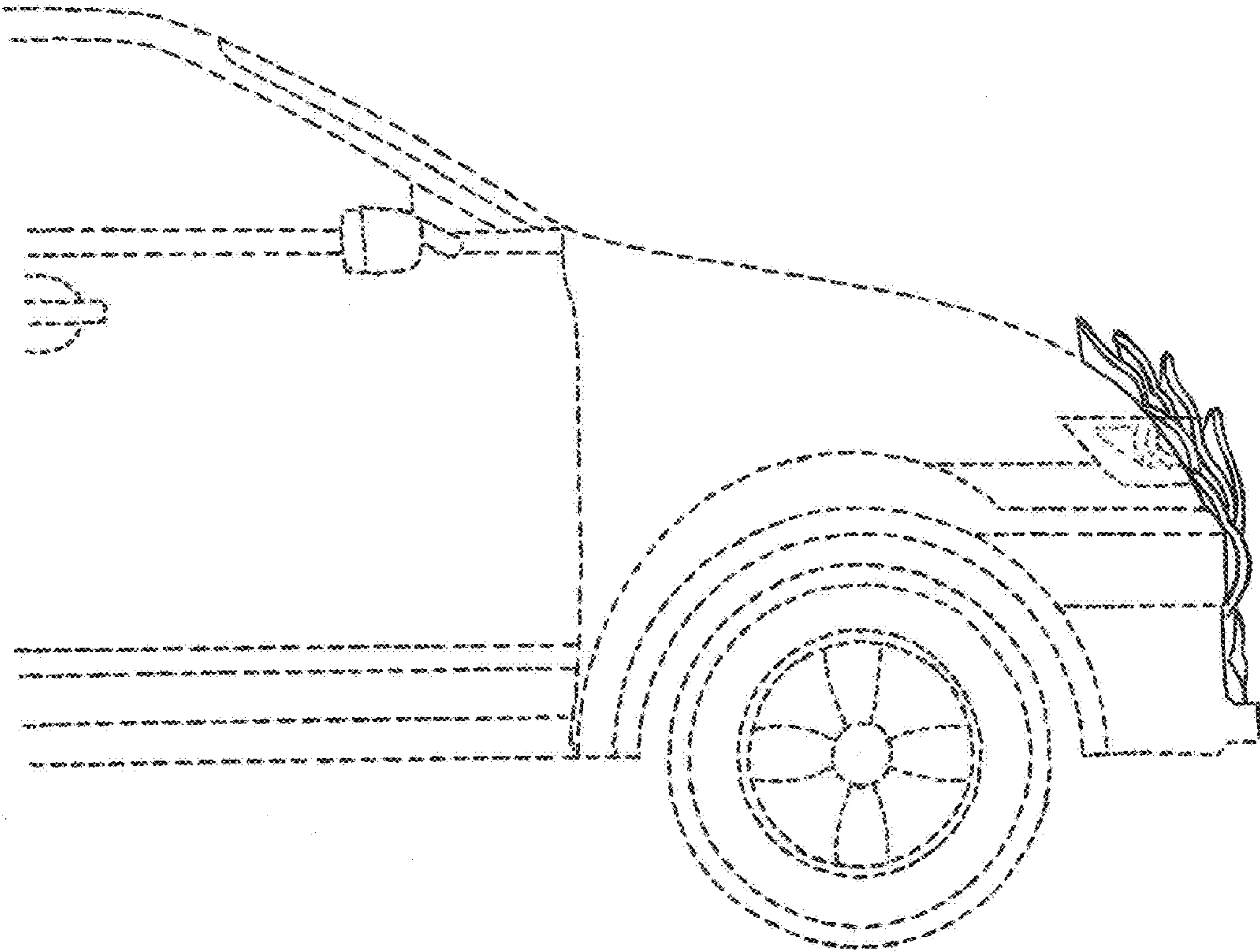


FIG. 4