



US00D739796S

(12) **United States Design Patent**  
**Gunnarson et al.**

(10) **Patent No.:** **US D739,796 S**  
(45) **Date of Patent:** **\*\* Sep. 29, 2015**

- (54) **GRILL FOR VEHICLE**
- (71) Applicant: **Volvo Car Corporation**, Göteborg (SE)
- (72) Inventors: **Anders Gunnarson**, Kullavik (SE);  
**Anders Myrberg**, Askim (SE)
- (73) Assignee: **Volvo Car Corporation**, Gothenburg (SE)
- (\*\*) Term: **14 Years**
- (21) Appl. No.: **29/496,455**
- (22) Filed: **Jul. 14, 2014**
- (30) **Foreign Application Priority Data**

Jan. 28, 2014 (EM) ..... 001405690

- (51) **LOC (10) Cl.** ..... **12-16**
- (52) **U.S. Cl.**  
USPC ..... **D12/163**

- (58) **Field of Classification Search**  
USPC ..... D12/163, 196, 86, 90-92, 171, 169,  
D12/216; 180/68.1, 68.6; 293/193.11  
CPC ..... B62D 25/08; B62B 9/16; B60K 11/08;  
B60R 19/52  
See application file for complete search history.

- (56) **References Cited**  
U.S. PATENT DOCUMENTS

D575,688 S \* 8/2008 Miyata et al. .... D12/163  
 D592,564 S \* 5/2009 Kusamoto et al. .... D12/163  
 D602,820 S \* 10/2009 Yukawa et al. .... D12/163

D665,316 S \* 8/2012 Asakura ..... D12/163  
 D696,985 S \* 1/2014 Henstridge ..... D12/163  
 D721,019 S \* 1/2015 Pevovar et al. .... D12/163

**OTHER PUBLICATIONS**

Volvo Concept Coupe photo—first public showing Aug. 2013 (1 page).  
 OHIM Registration No. 001402200-0002, registered Sep. 12, 2013 (6 pages).  
 Volvo Prior Art V526 photos (10 pages).

\* cited by examiner

*Primary Examiner* — Melody N. Brown

(74) *Attorney, Agent, or Firm* — Renner, Otto, Boisselle & Sklar, LLP

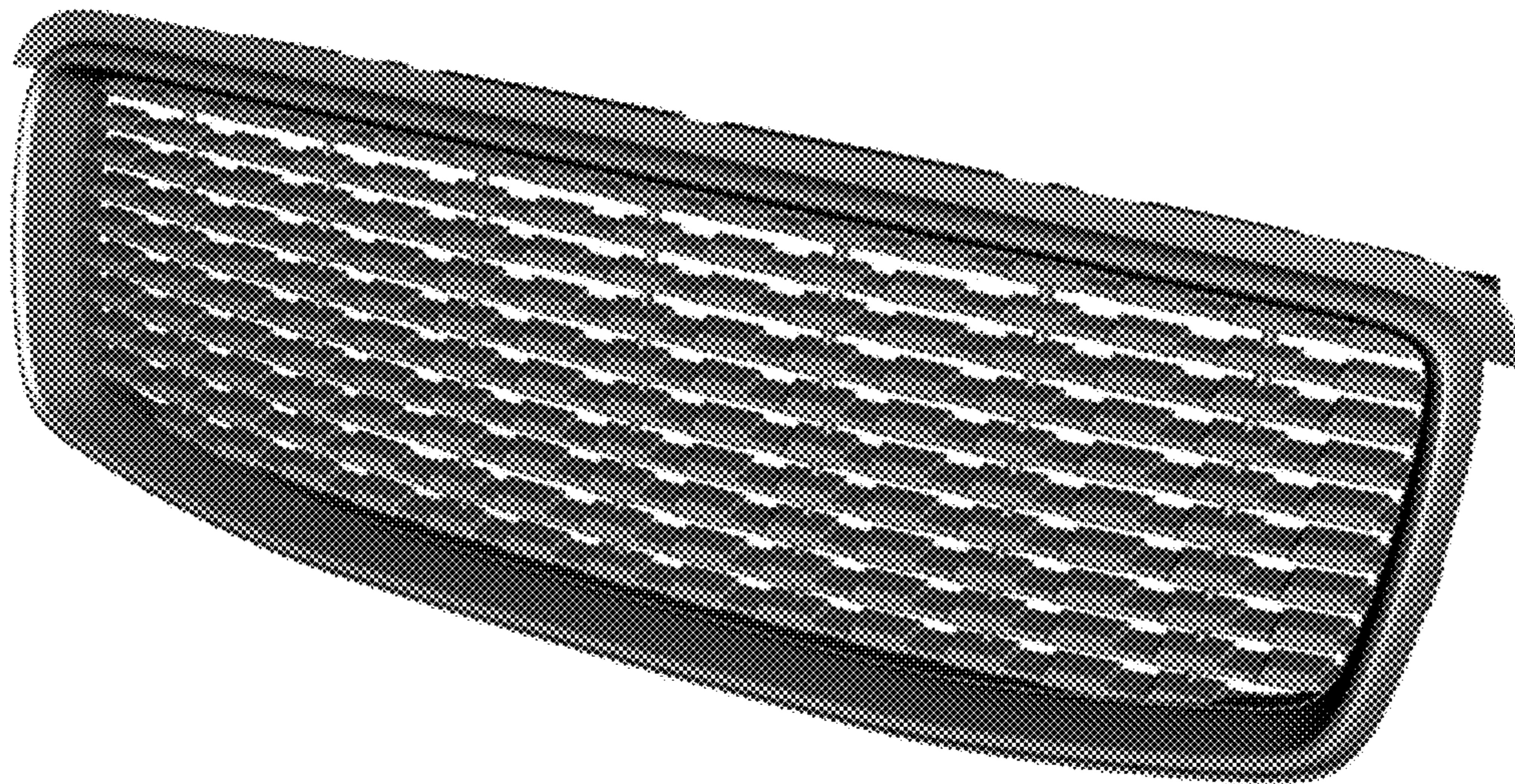
(57) **CLAIM**

The ornamental design for a grill for vehicle, as shown and described.

**DESCRIPTION**

FIG. 1 is a perspective view of a grill for vehicle showing our new design.  
 FIG. 2 is another perspective view thereof.  
 FIG. 3 is a front view thereof.  
 FIG. 4 is a rear view thereof.  
 FIG. 5 is a top view thereof.  
 FIG. 6 is a bottom view thereof; and,  
 FIG. 7 is a left side view thereof, a right side view being a mirror image of the left side view.

**1 Claim, 3 Drawing Sheets**



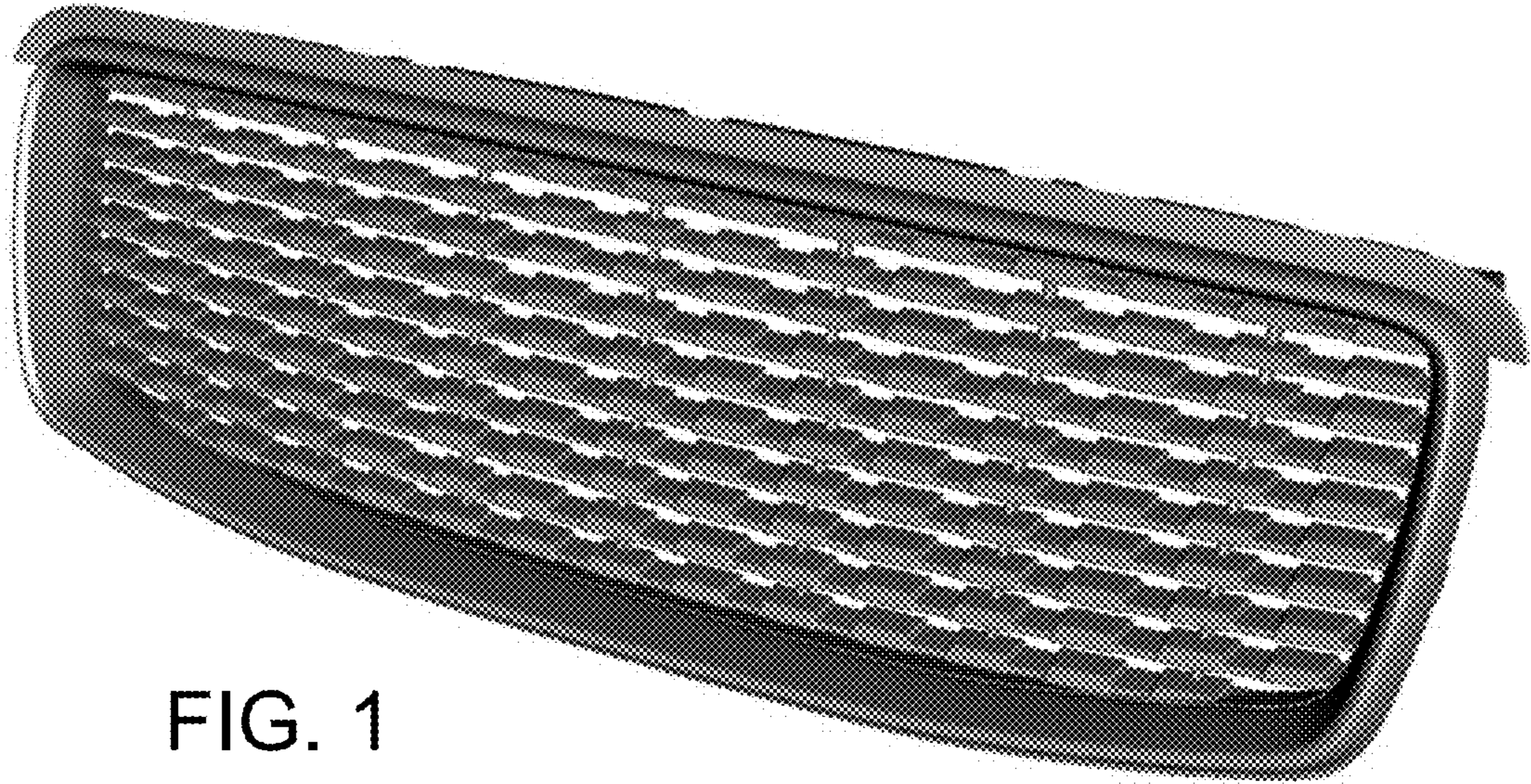


FIG. 1

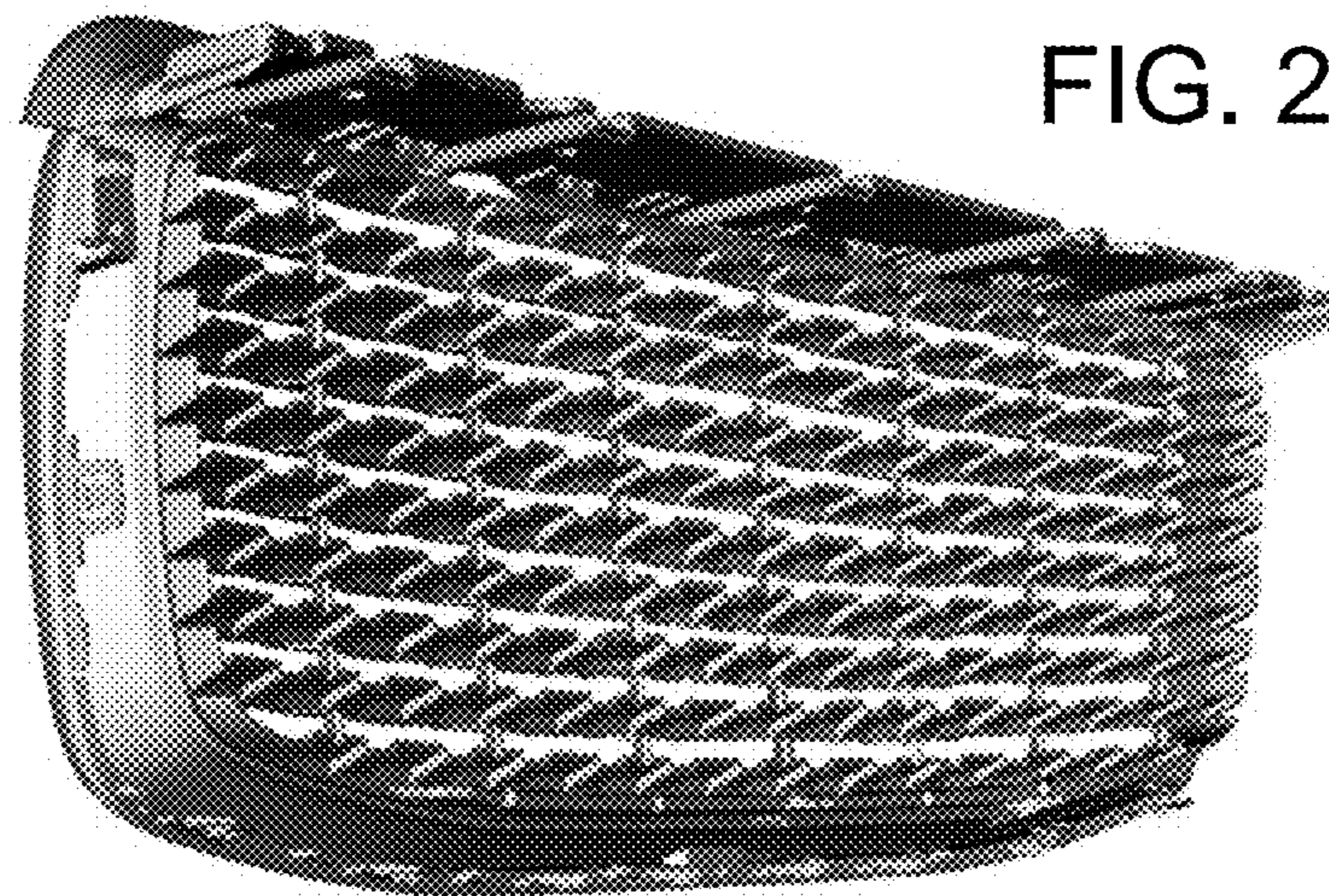


FIG. 2

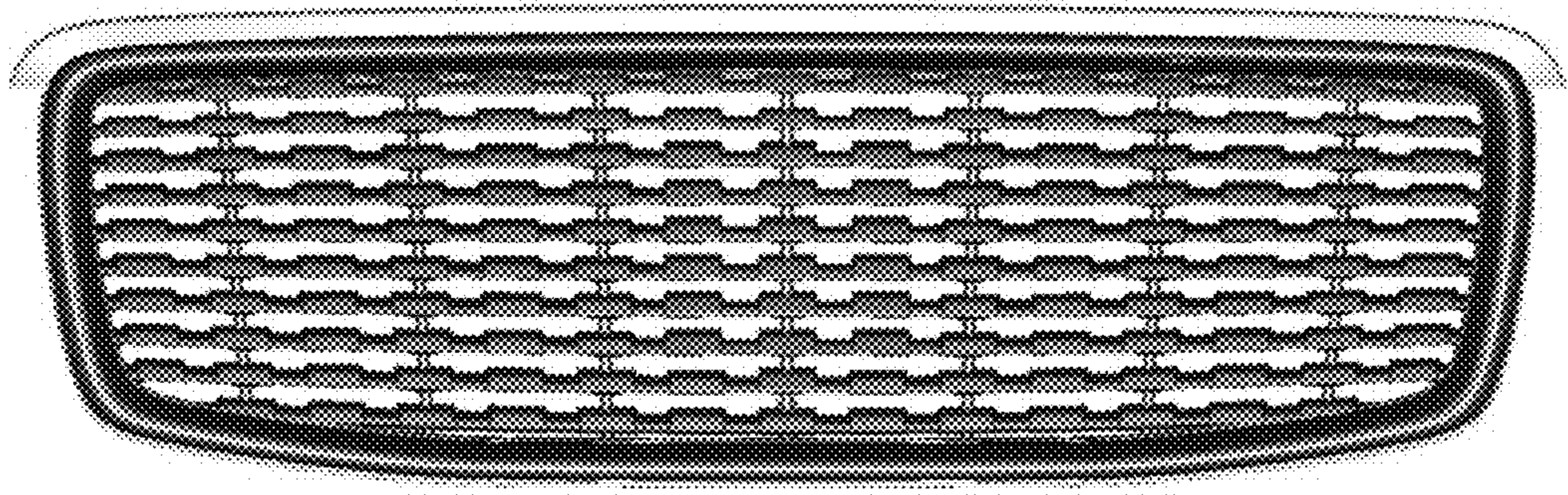


FIG. 3

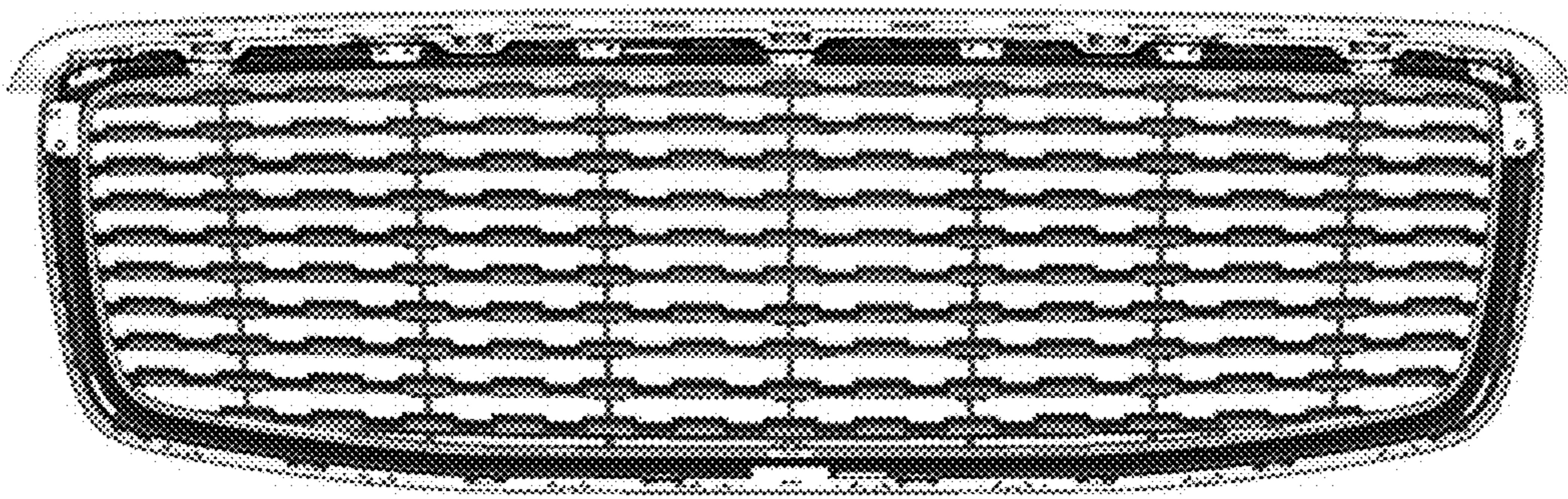


FIG. 4

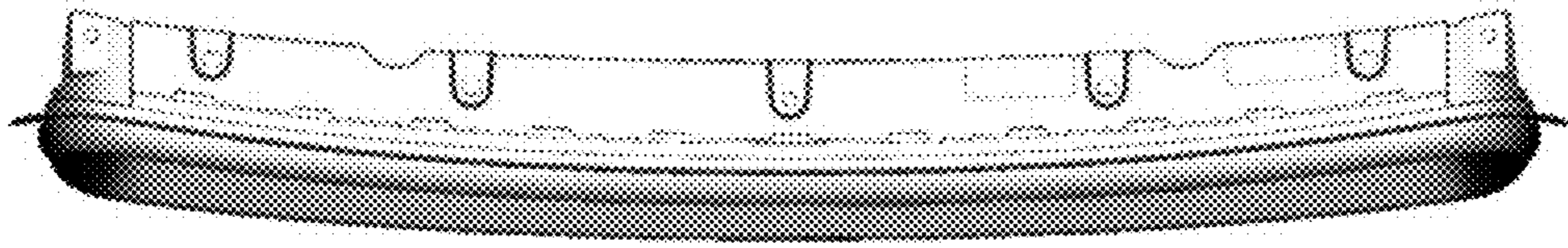


FIG. 5

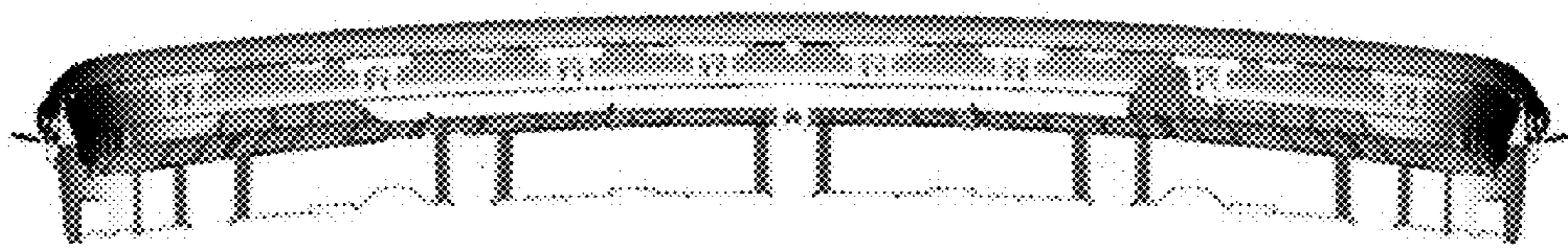


FIG. 6

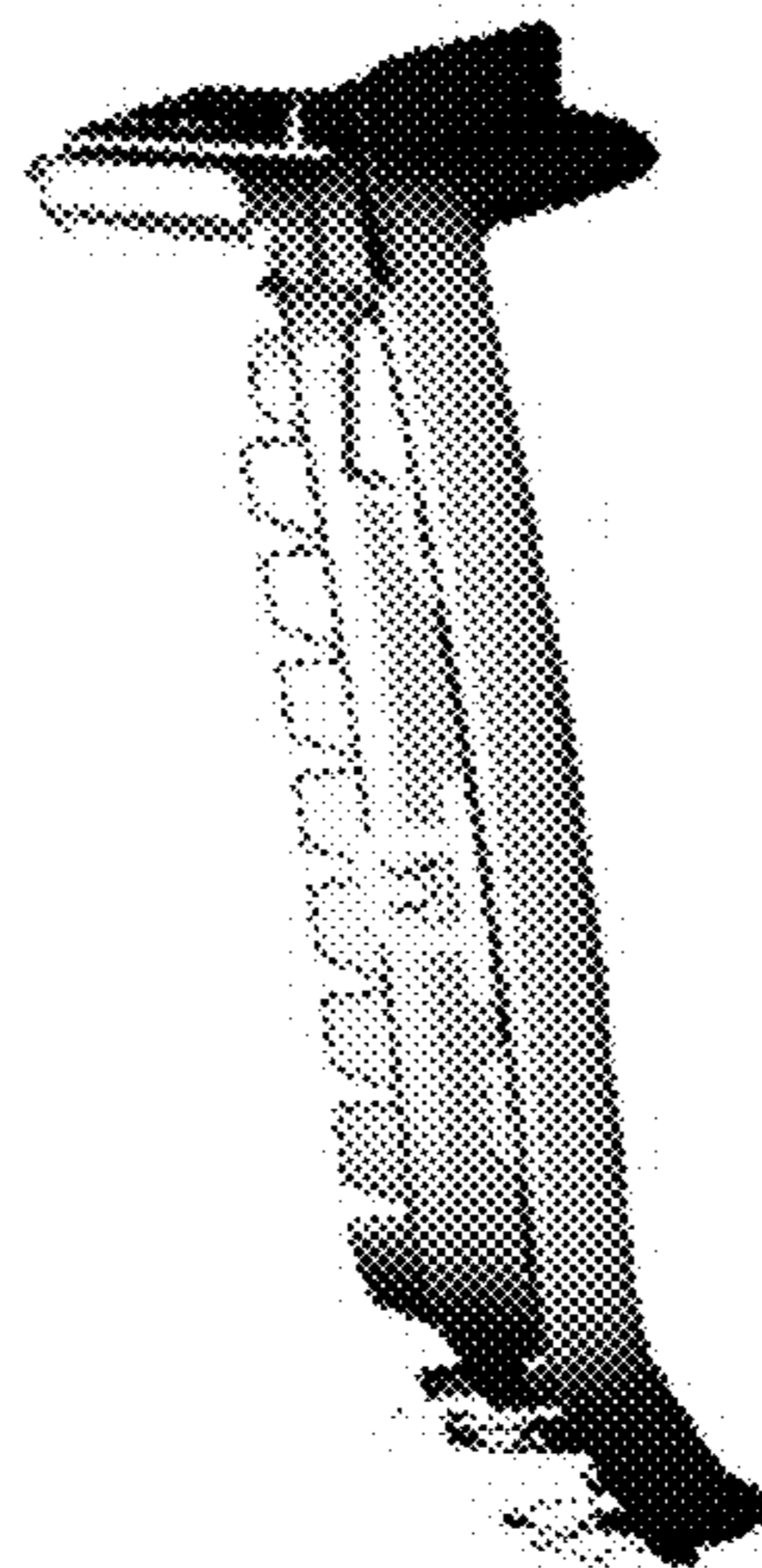


FIG. 7